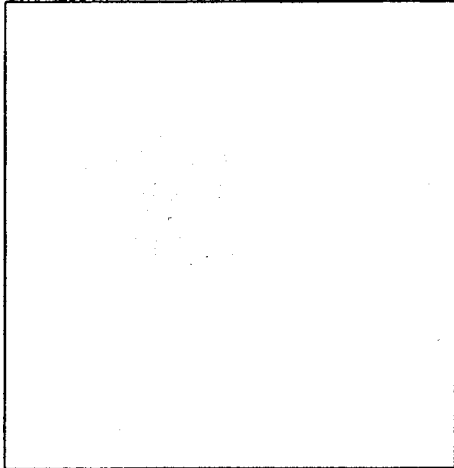
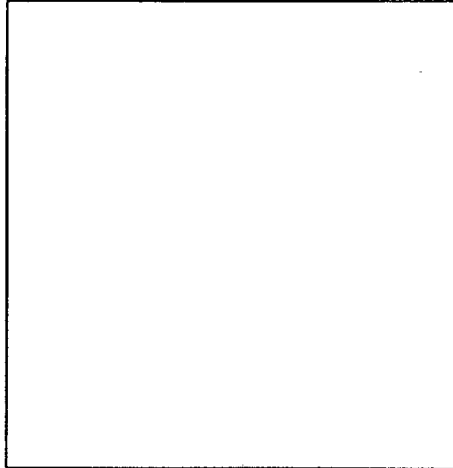


TL Audio	
Copyright 1996	
Title C-3021 CRIMSON COMPRESSOR	
Size	Document Number
B	CD1149
REV	1
Date:	March 15, 1996 Sheet 1 of 1

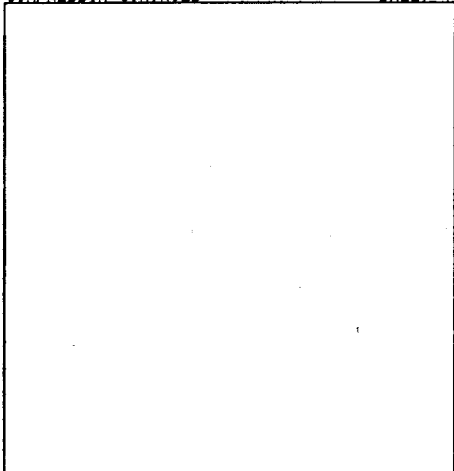
COMPRESSOR A SHEET 3



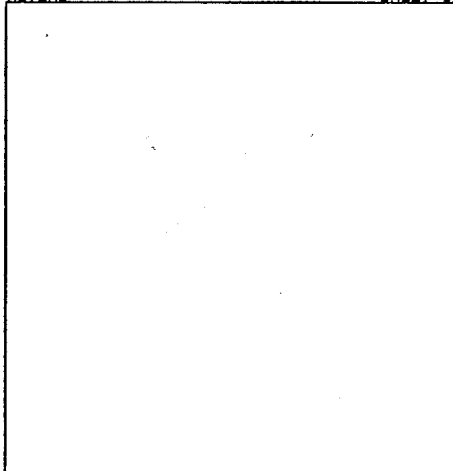
COMPRESSOR B SHEET 5



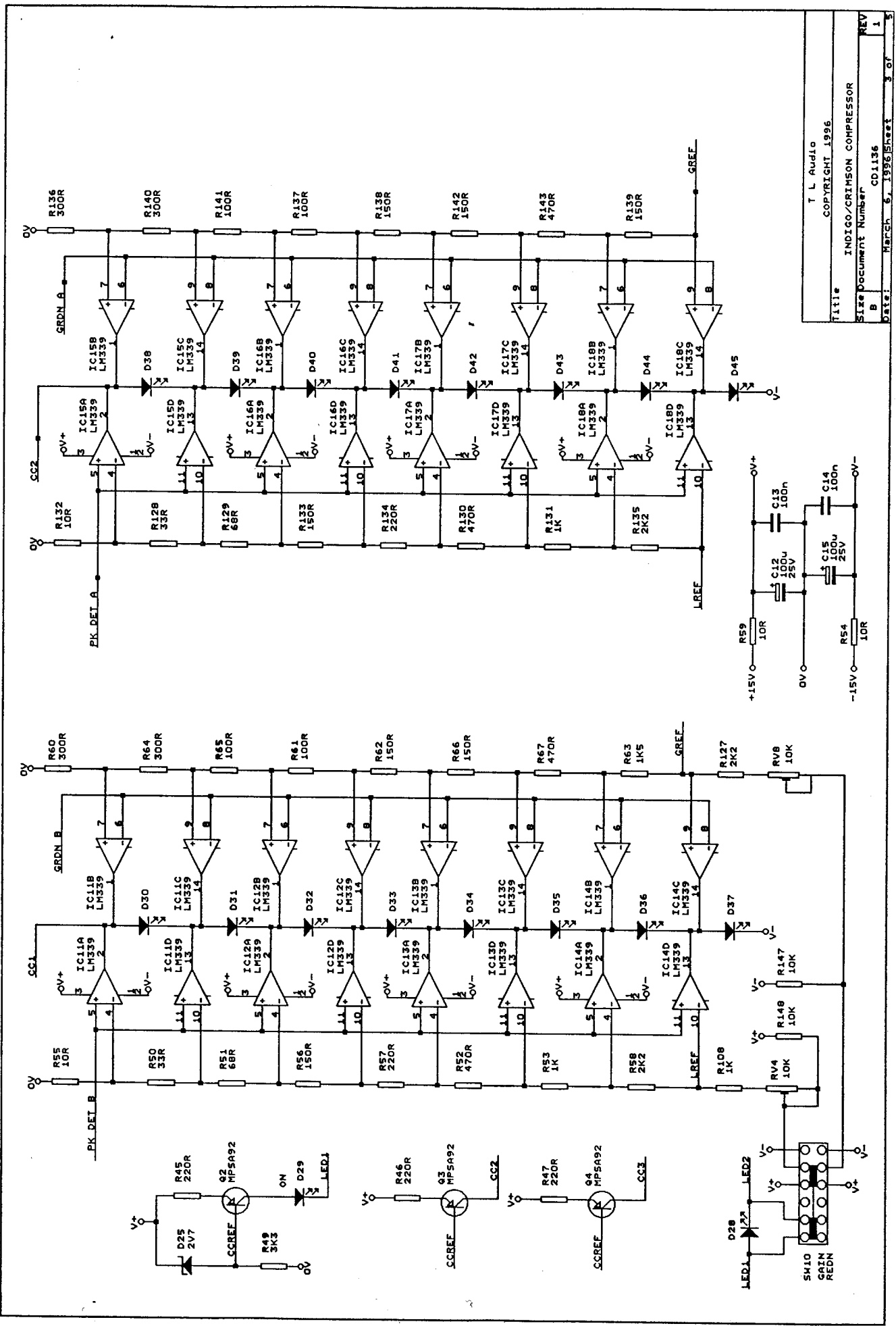
COMPRESSOR CONTROLS SHEET 4



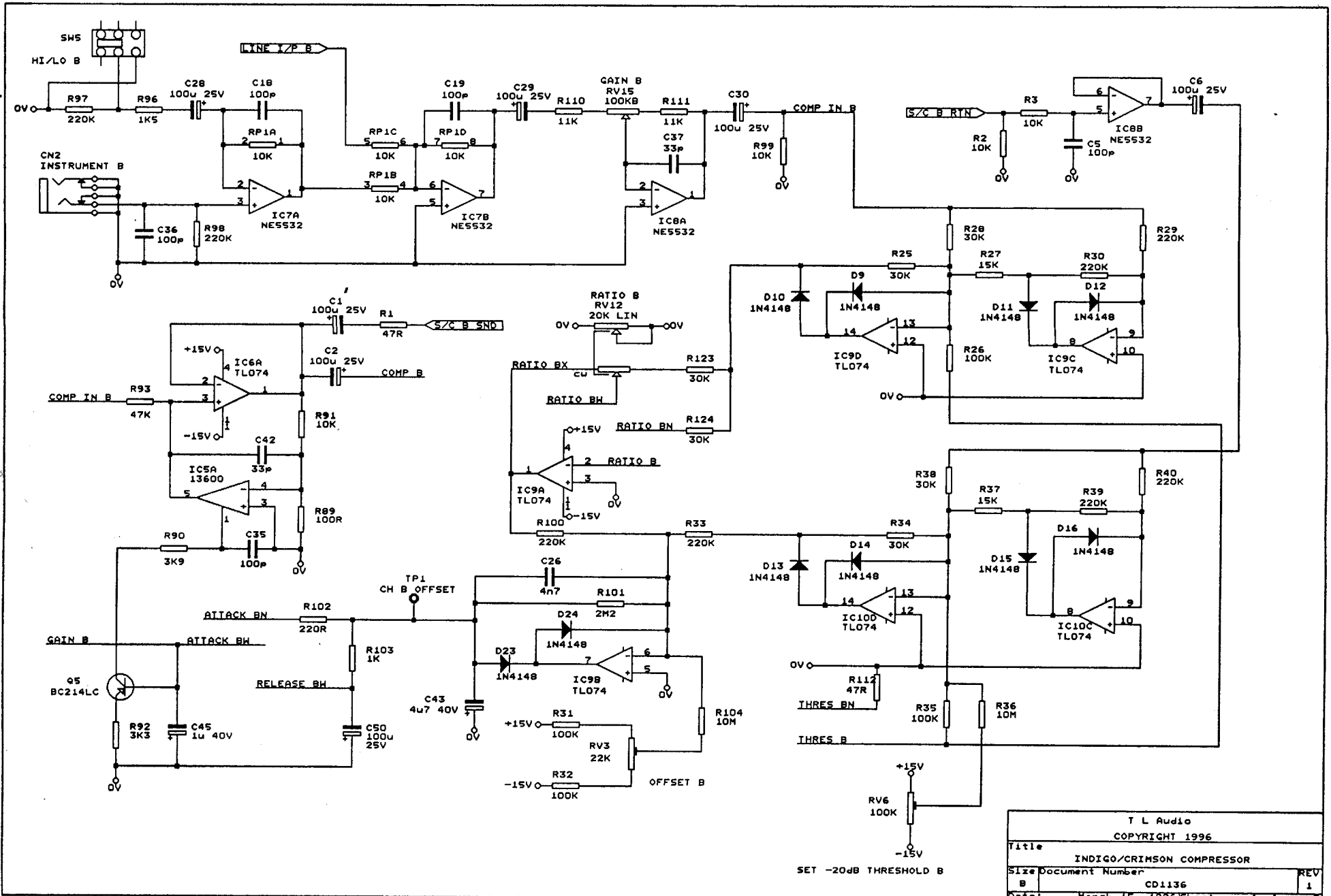
METERS SHEET 6



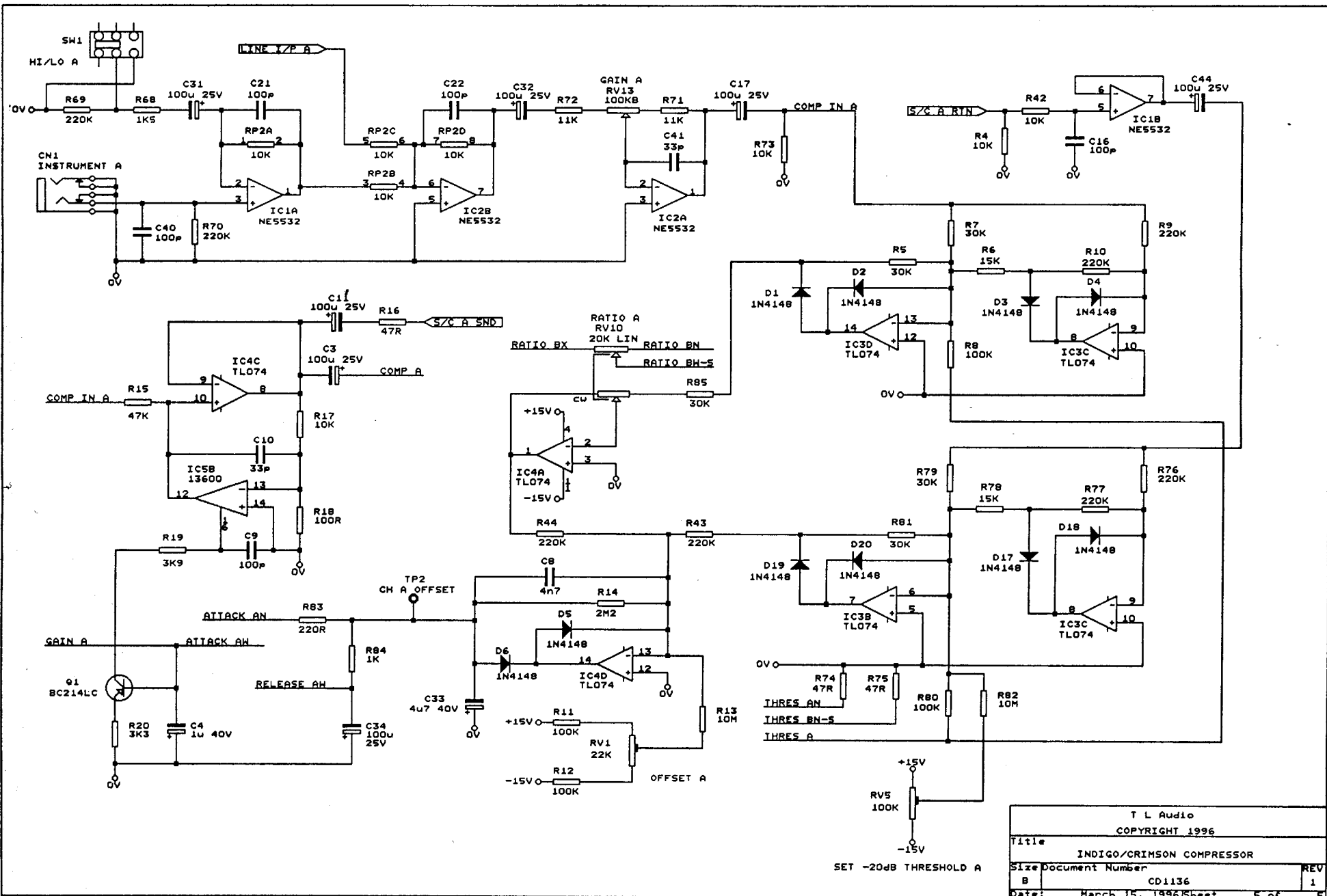
T L Audio		
COPYRIGHT 1996		
Title INDIGO/CRIMSON COMPRESSOR		
Size	Document Number	REV
B	CD1136	1
Date: February 11, 1996		Sheet 1 of 5



T L Audio
 COPYRIGHT 1996
 Title INDIGO/CRIMSON COMPRESSOR
 Size Document Number CD1136
 B
 Date: March 6, 1996 Sheet 3 of 3
 REV 1



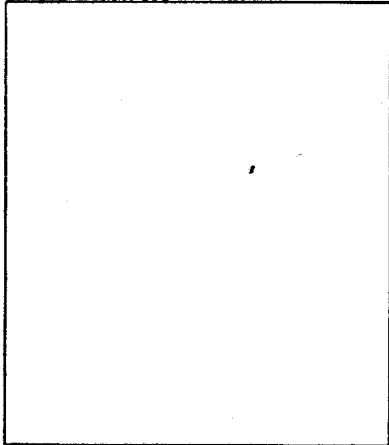
T L Audio	
COPYRIGHT 1996	
Title	
INDIGO/CRIMSON COMPRESSOR	
Size	Document Number
B	CD1136
Date:	March 15, 1996 Sheet 4 of 5



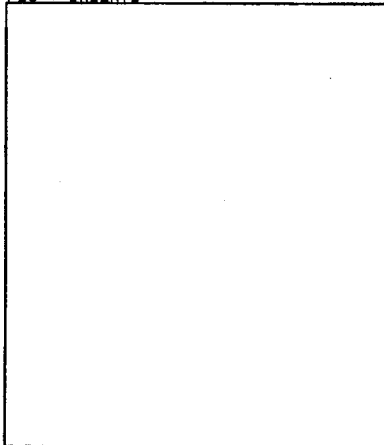
T L Audio	
COPYRIGHT 1996	
Title	INDIGO/CRIMSON COMPRESSOR
Size	Document Number
B	CD1136
Date:	March 15, 1996 Sheet 5 of 5

SET -20dB THRESHOLD A

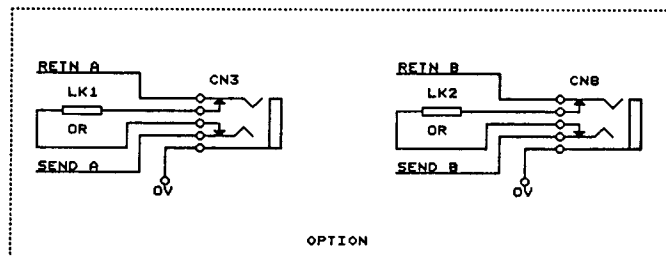
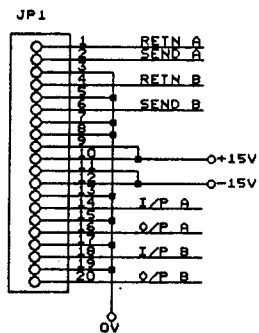
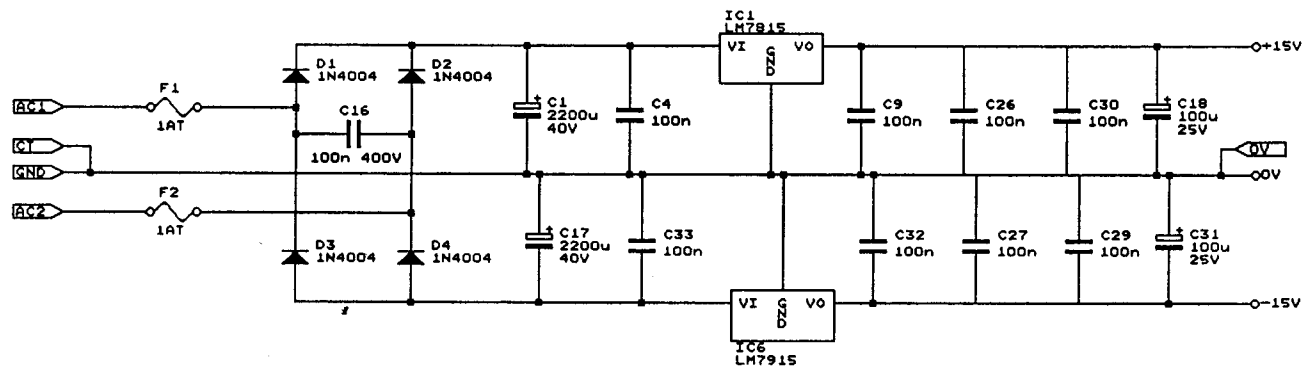
INPUTS + OUTPUTS



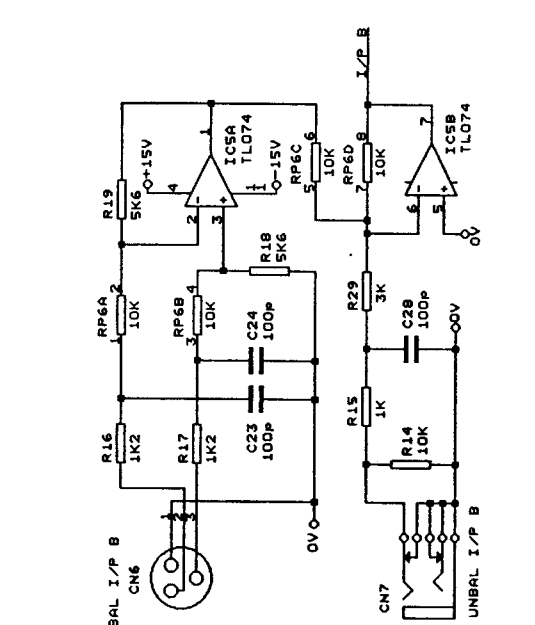
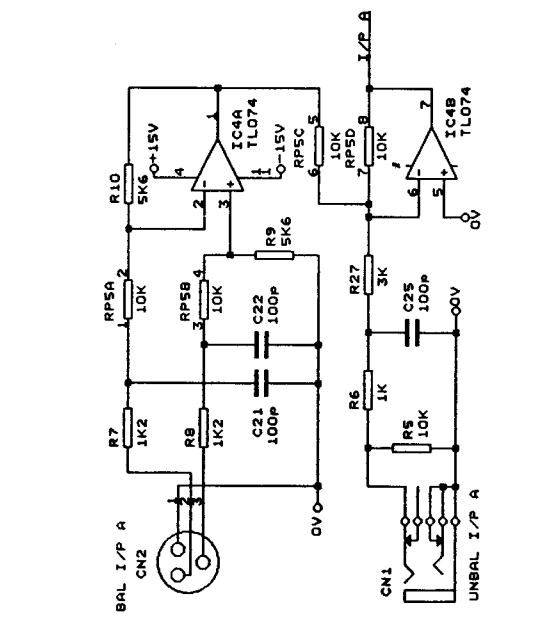
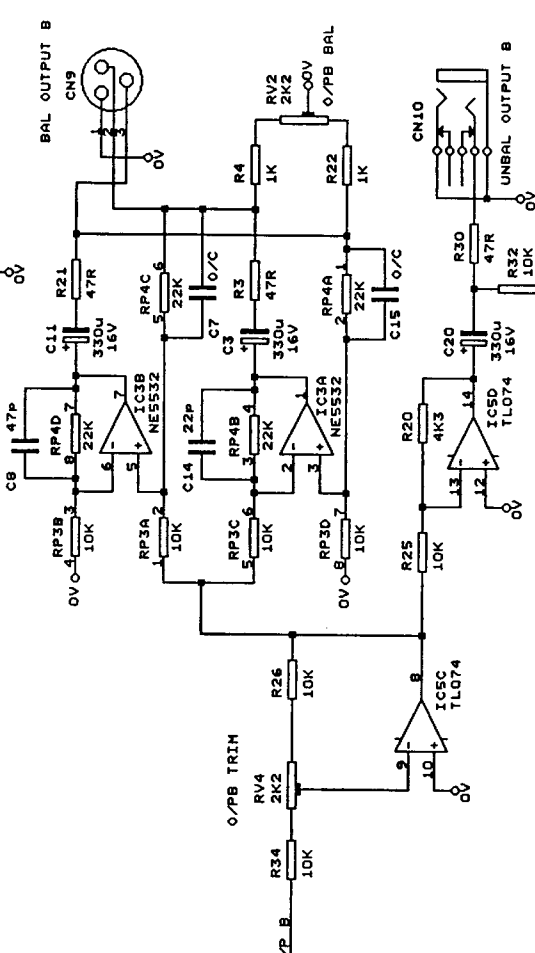
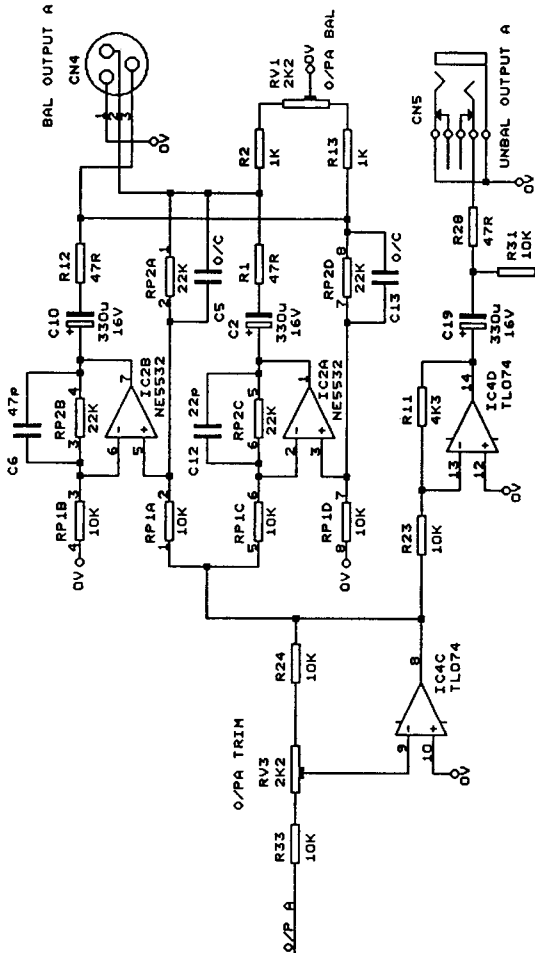
PSU + INSERTS



TL Audio	
COPYRIGHT 1996	
Title	
STANDARD I/O PCB	
Size	Document Number
B	CD1133
Date: February 11, 1996	Sheet 1 of 3



TL Audio	
COPYRIGHT 1996	
Title STANDARD I/O PCB	
Size	Document Number
B	CD1133
Date: February 11, 1996	Sheet 2 of 3
REV	1



Title
 STANDARD I/O PCB
 Size Document Number CD1133
 Rev B
 Date: February 11, 1996 Sheet 3 of 3