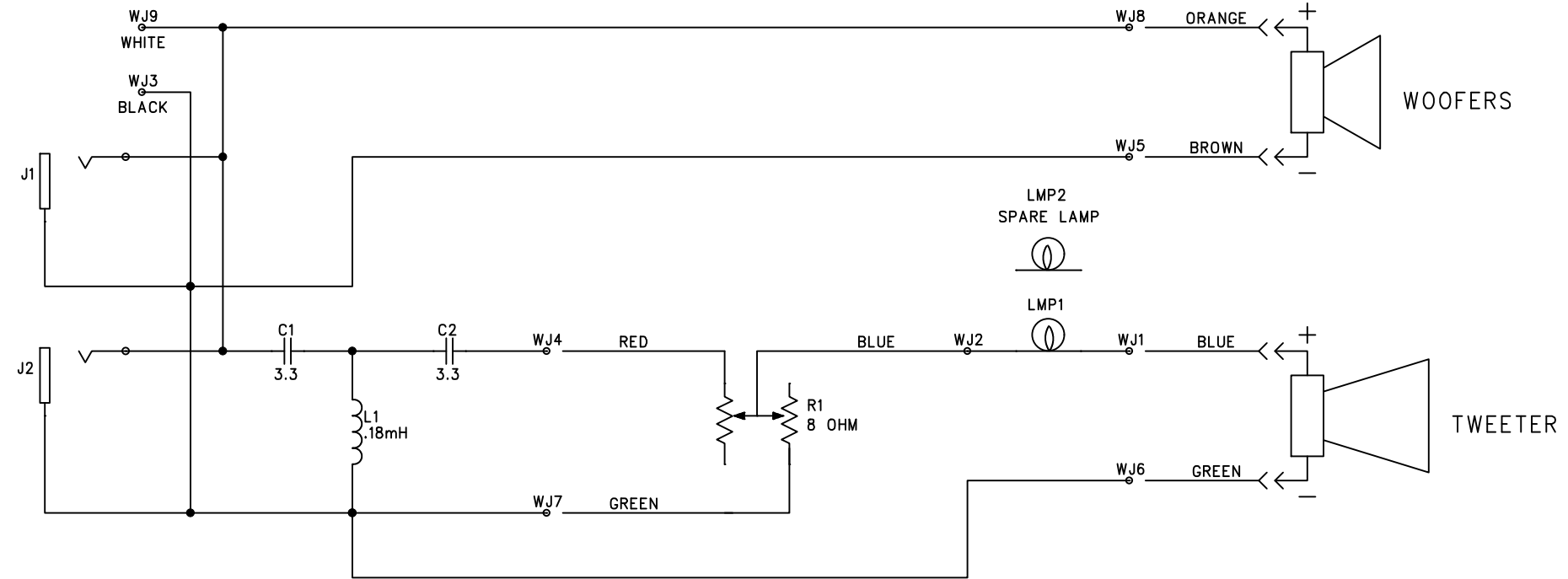



R E V I S I O N S			
REV.	DESCRIPTION	DATE	APPROVED
B	EC2801	26-JUN-02	J K H



2. THIS SCHEMATIC IS FOR PCB FABRICATION P/N 0057978000 AND PCB ASSEMBLY P/N 0057979000.
 3. ALL UNPOLARIZED CAPACITORS IN μF , 10%; 250V.
 NOTES: (UNLESS OTHERWISE NOTED)

THIS DOCUMENT CONTAINS INFORMATION OF A PROPRIETARY NATURE TO FENDER MUSICAL INSTRUMENTS AND IS SUBMITTED TO YOU IN CONFIDENCE AND SHALL NOT BE DISCLOSED OR TRANSMITTED TO OTHERS WITHOUT AUTHORIZATION FROM FENDER MUSICAL INSTRUMENTS.		 MUSICAL INSTRUMENTS Corona, CA U.S.A.	
CHECKED BY: _____ DATE: _____		TITLE: SERVICE DIAGRAM, COMBINED (schematic) BASSMAN 410 PRO	
APPROVED BY: _____ DATE: _____		SIZE	DRAWING NUMBER
DRAWN: DON FOX ENGR: J. HUBBARD		B	0059657000
DATABASE FILE: Z523S.SCH		RELEASE DATE: 28-MAR-02	REV. SHEET: 1 OF 1