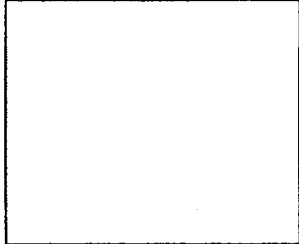
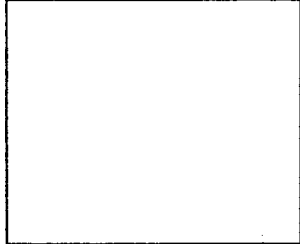


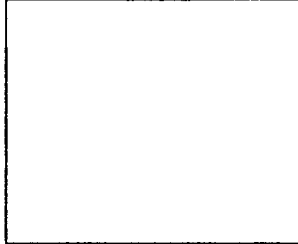
CH1 INPUT SHEET 2



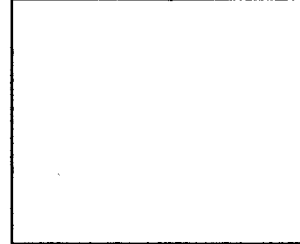
CH1 OUTPUT SHEET 3



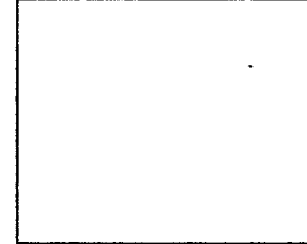
CH2 INPUT SHEET 4



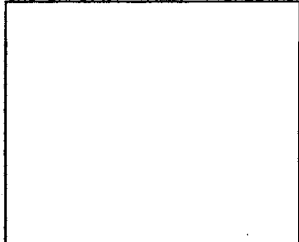
CH2 OUTPUT SHEET 5



VALVE STAGES SHEET 10



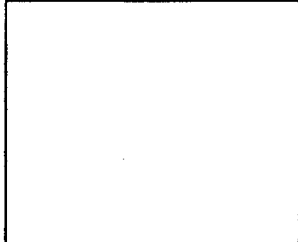
CH3 INPUT SHEET 6



CH3 OUTPUT SHEET 7



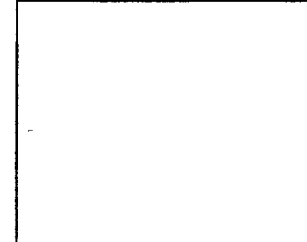
CH4 INPUT SHEET 8



CH4 OUTPUT SHEET 9



PSU SHEET 11



NOTES FOR QUALIFIED SERVICE ENGINEERS

The following voltages exist within this unit under normal working circumstances: 230V (115V) AC Mains and 200V DC.
These voltages may take several minutes to decay after the unit is switched off.

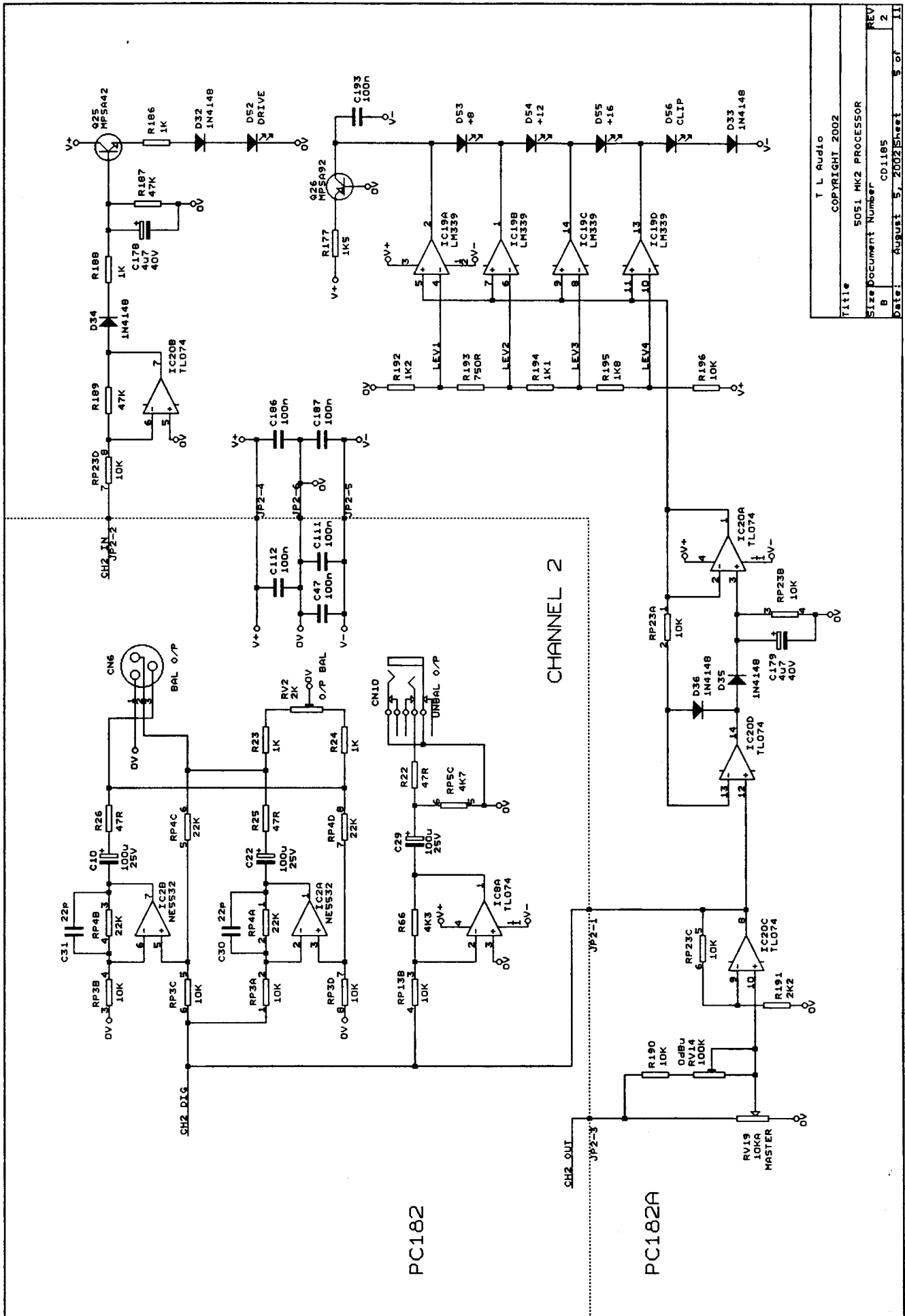
CARE MUST BE TAKEN WHEN FAULT FINDING.

- DO NOT handle the PCB while the unit is connected to the Mains Supply.
- DO NOT use screws with different type or length than those currently fitted.
- DO NOT remove EARTH wires under any circumstances.
- REPLACE all covers removed during servicing.
- During reassembly DO NOT allow wires to be trapped.

IF IN DOUBT RETURN UNIT TO SUPPLIER.

ISSUE 3 PCB

T L Audio		
COPYRIGHT 2002		
Title		
Mk2 5001 PRE-AMPLIFIER		
Size	Document Number	REV
B	CD1182	2
Date:	August 5, 2002	Sheet 1 of 11

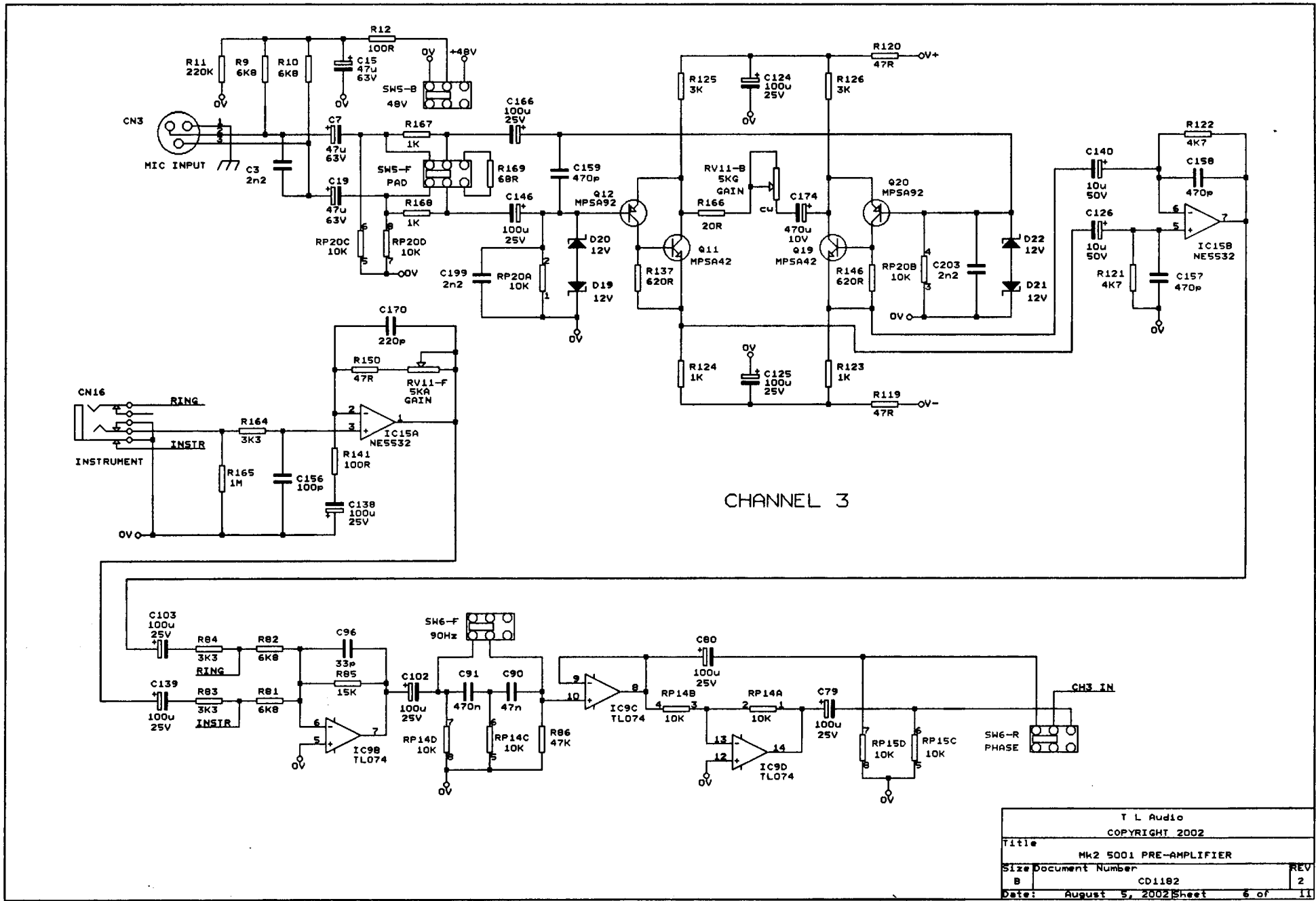


PC182

CHANNEL 2

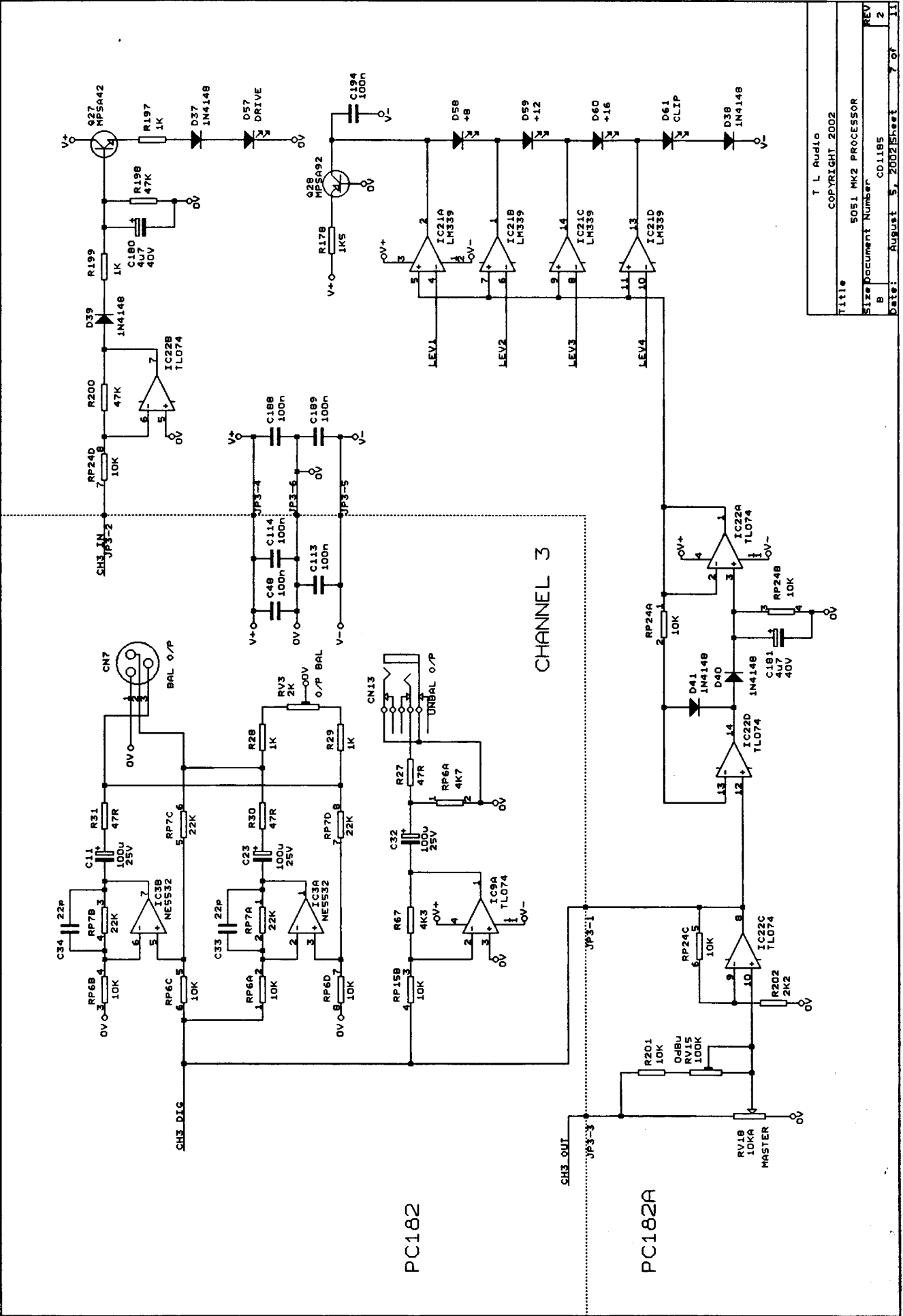
PC182A

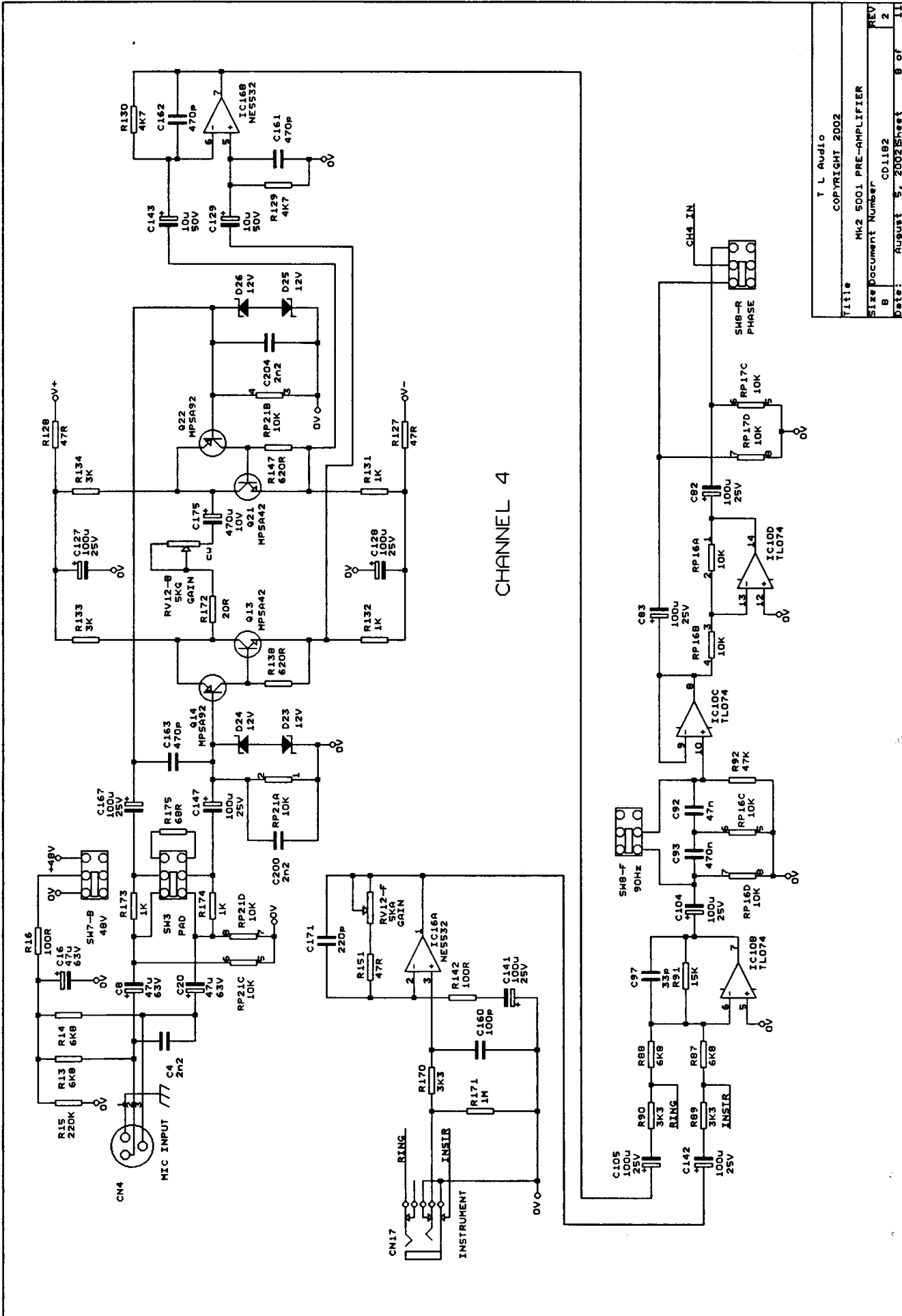
Title	T L Audio
Size	5051 MK2 PROCESSOR
Document Number	CD1185
REV	2
Date	August 5, 2002
Sheet	5 of 11



CHANNEL 3

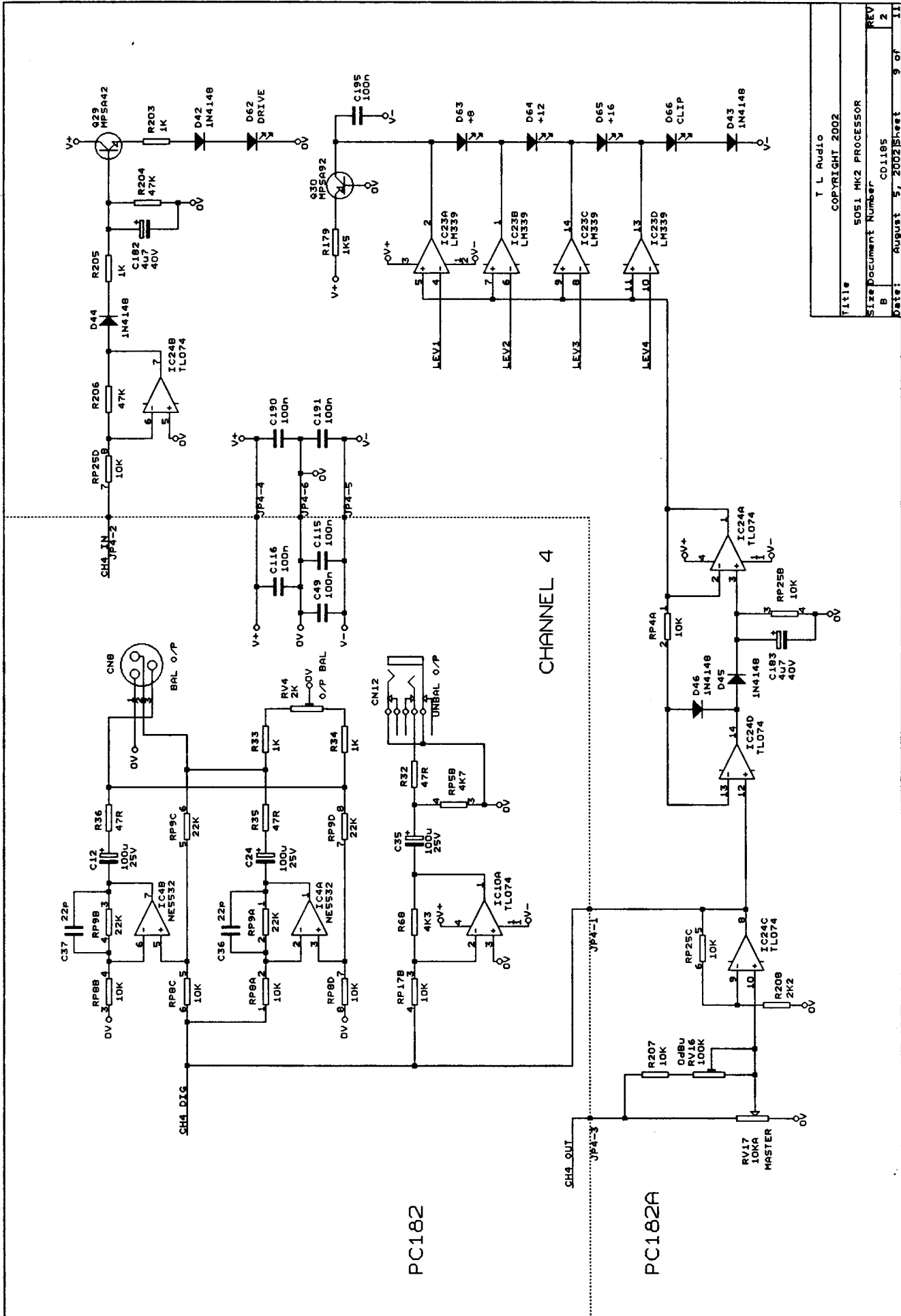
T L Audio		
COPYRIGHT 2002		
Title Mk2 5001 PRE-AMPLIFIER		
Size	Document Number	REV
B	CD1182	2
Date:	August 5, 2002	Sheet 6 of 11

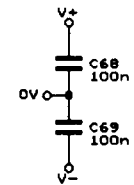
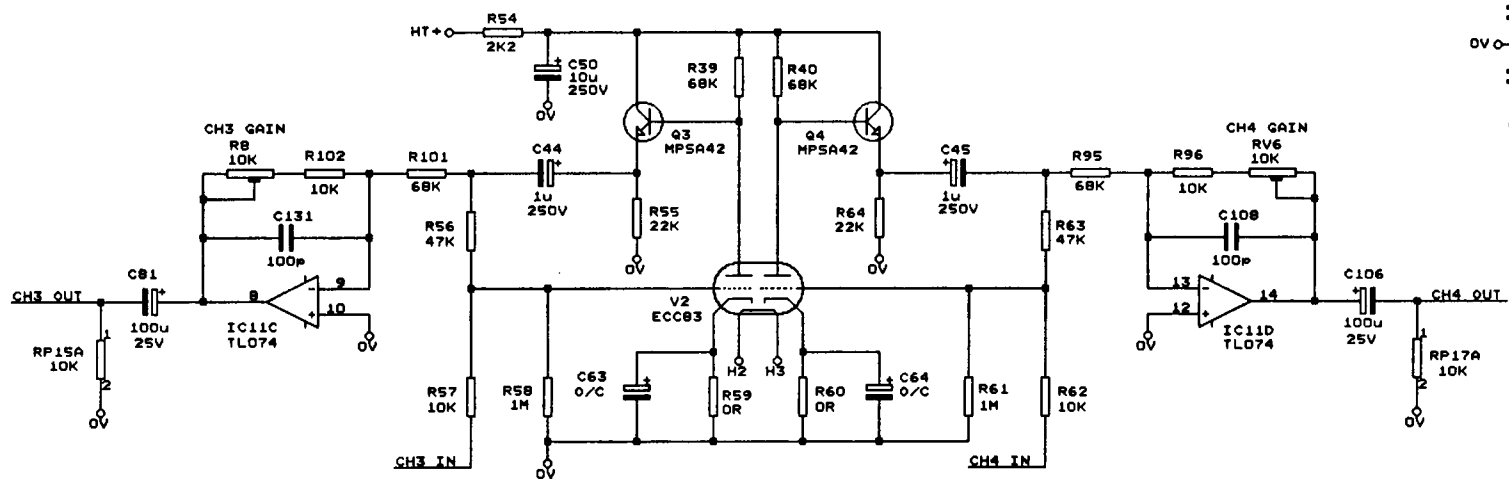
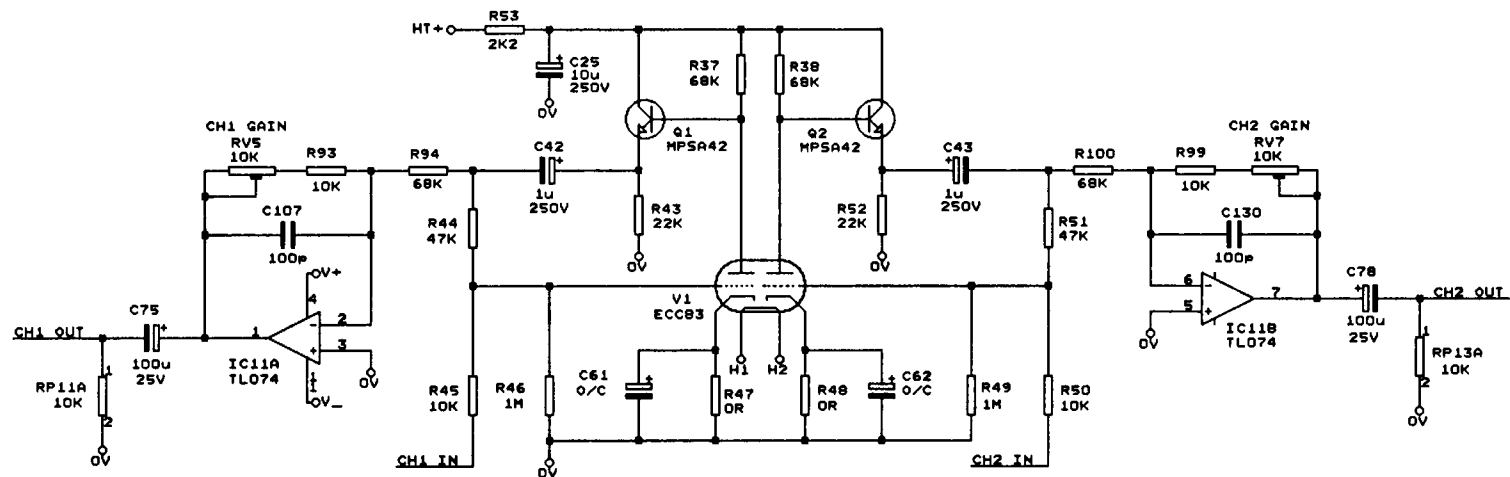




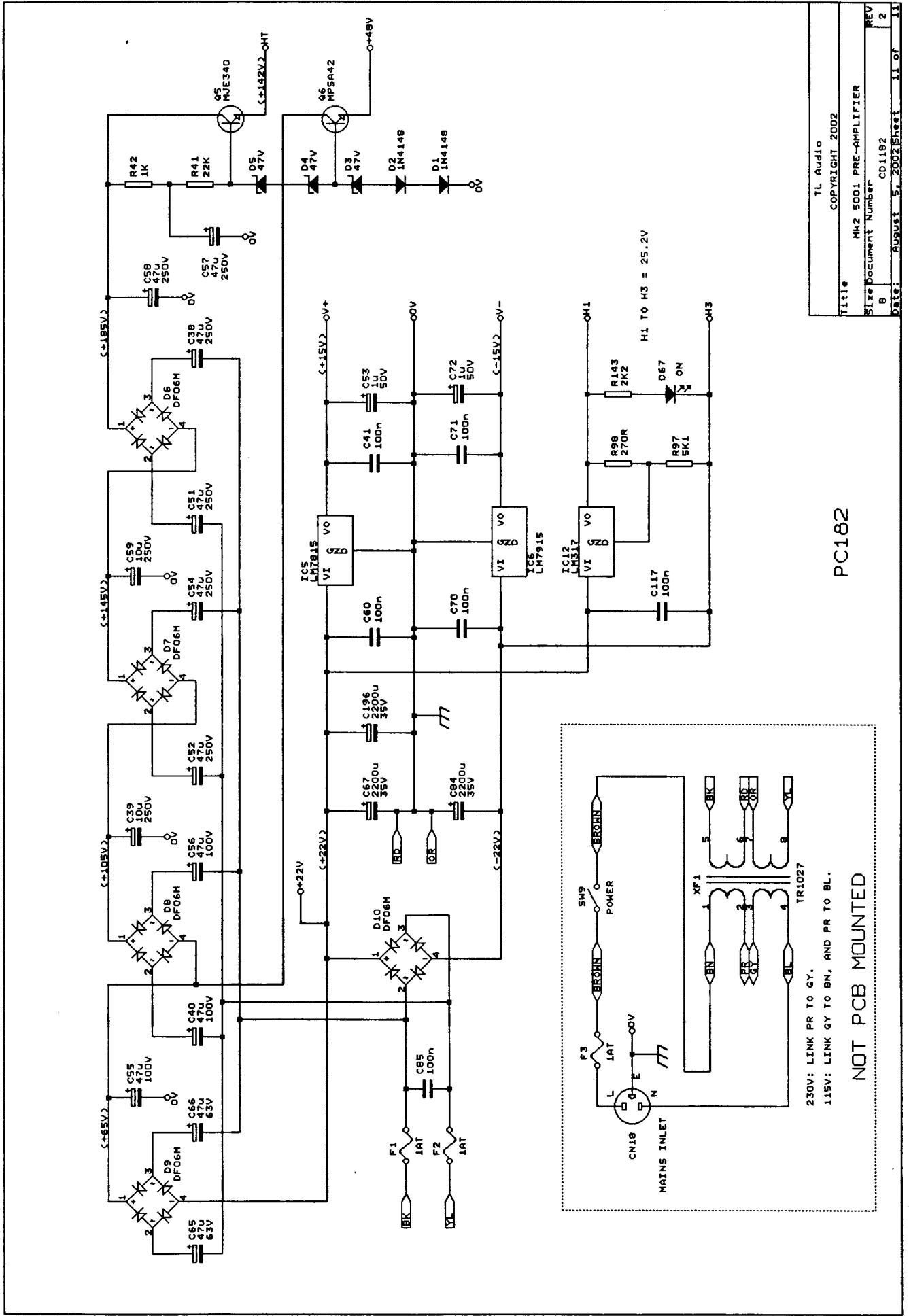
CHANNEL 4

T L Audio	
COPYRIGHT 2002	
Title	MK2 5001 PRE-AMPLIFIER
Size Document Number	B
REV	CD1182
Date:	August 5, 2002
Sheet	8 of 11



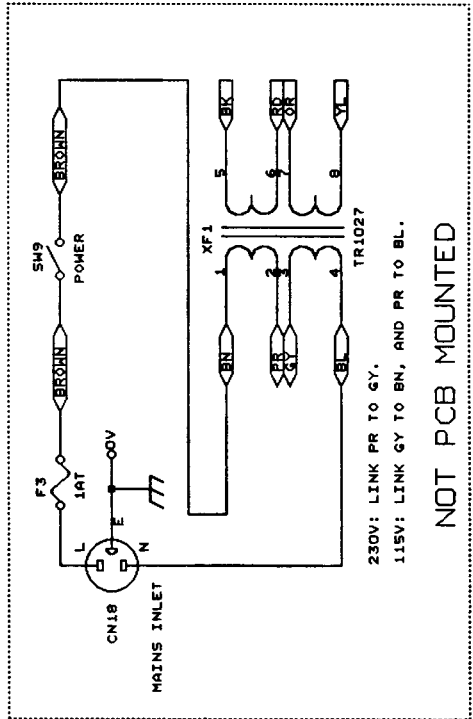


TL Audio	
Copyright 2002	
Title MK2 5001 PRE-AMPLIFIER	
Size	Document Number
B	CD1185
Date:	August 5, 2002
Sheet	10 of 11
REV	2



TL Audio
COPYRIGHT 2002
Title
Mk2 5001 PRE-AMPLIFIER
Size Document Number
8 CD1182
REV
2
Date: August 5, 2002
Sheet 11 of 11

PC182



230V: LINK PR TO GY.
115V: LINK GY TO BN, AND PR TO BL.

NOT PCB MOUNTED