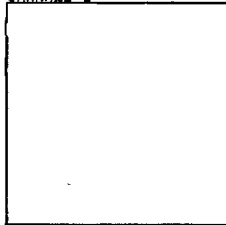
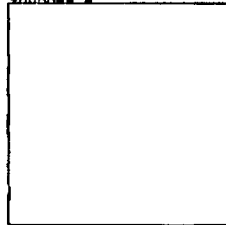


Change Note, number CN028		Date: 6.4.99.	Originator: DK.			
Products affected: <u>5001, 5013</u> , (RAD10, RAD20)						
Effective from serial number: 560534, 570585, 710101, 720101						
Reason for change: Gain modification to suit Sovtek valves.						
Description of change: PC159: Change R75, R77, R82, R155 to 39K. PC161: Change R46, R136 to 39K.						
Circuit Diagram change?		Y	New issue: CD1159 iss 3 CD1161 iss 4			
Parts List change?		Y	New issue: PL1159 iss 5 PL1161 iss 4			
PCB Change?		N	New issue:			
Metalwork change?		N	New issue:			
Test Specification change?		N	New issue:			
Other comments:						
Circulation:	Tech File	Prod Mgr	Test	TLPS		

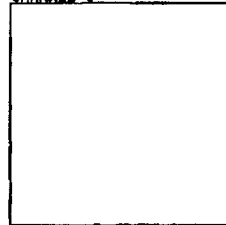
CHANNEL 1



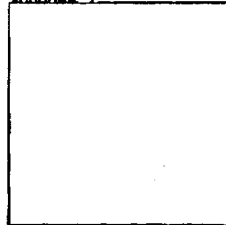
CHANNEL 2



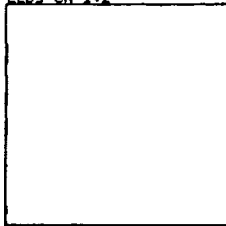
CHANNEL 3



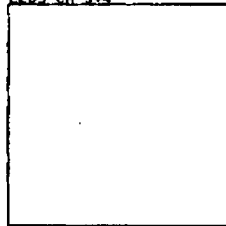
CHANNEL 4



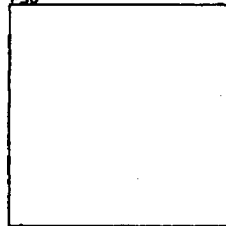
LEDS CH 1+2



LEDS CH 3+4



PSU



NOTES FOR QUALIFIED SERVICE ENGINEERS

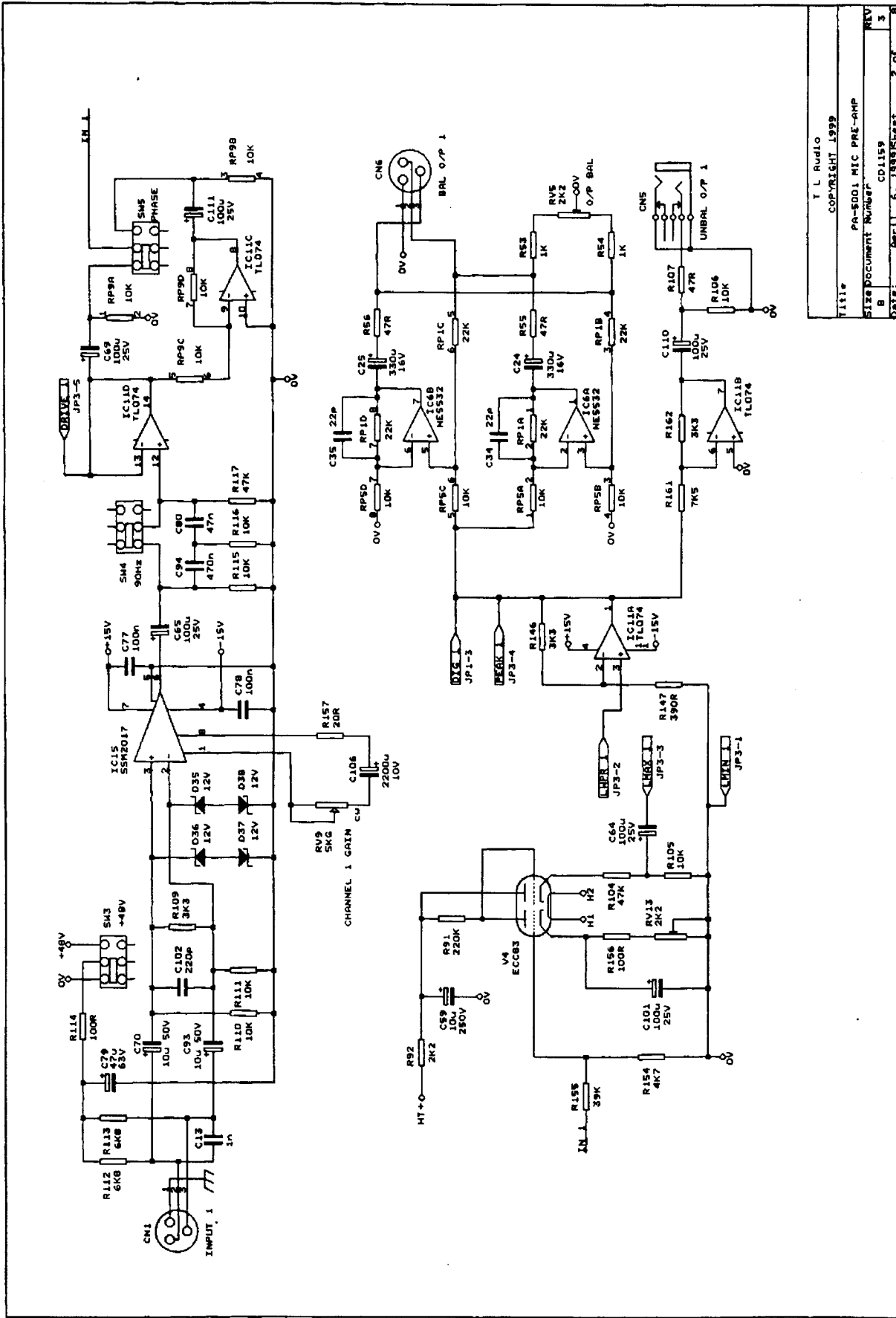
The following voltages exist within this unit under normal working circumstances: 230V (115V) AC Mains and 250V DC.
These voltages may take several minutes to decay after the unit is switched off.

CARE MUST BE TAKEN WHEN FAULT FINDING.

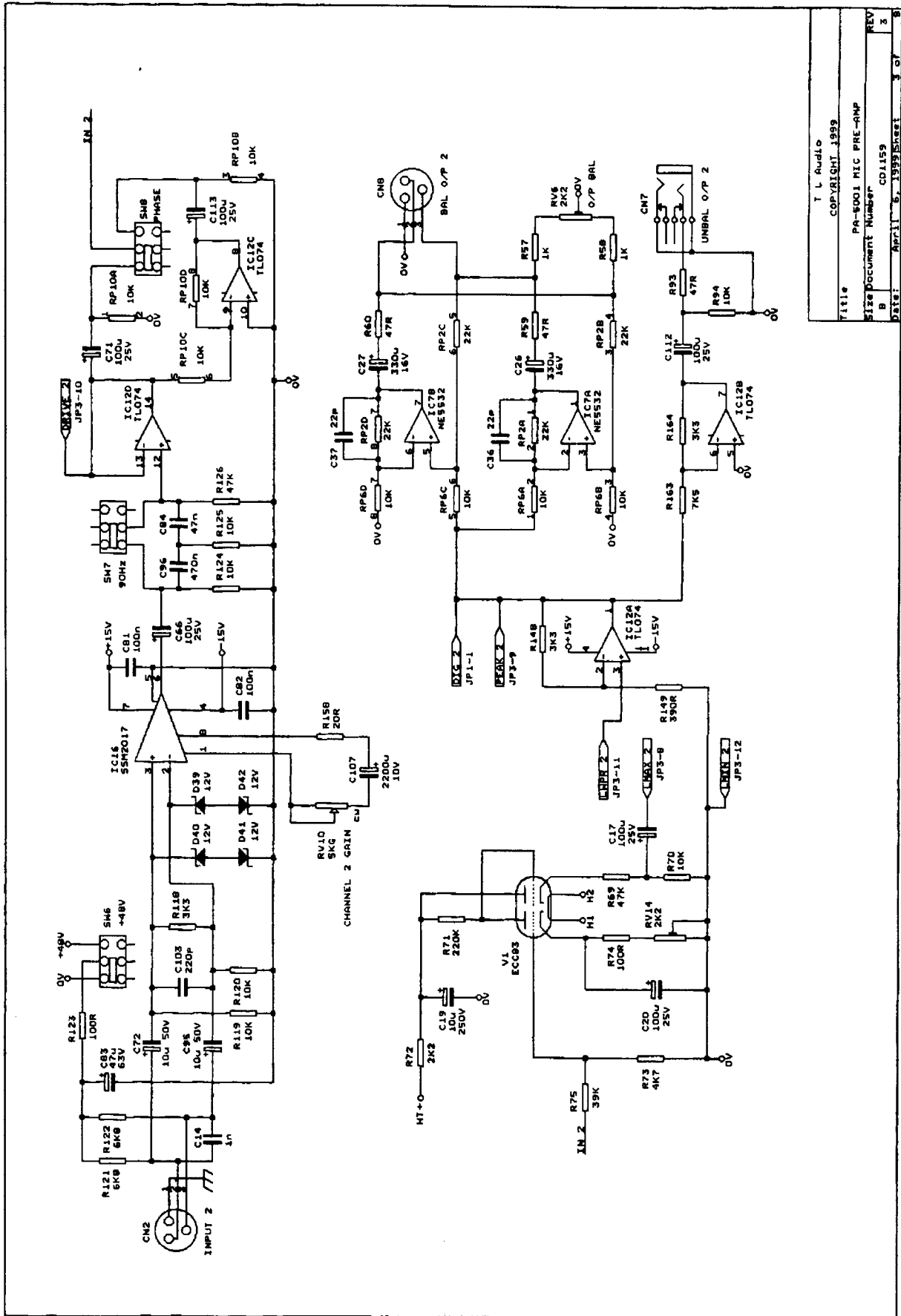
- DO NOT handle the PCB while the unit is connected to the Mains Supply.
- DO NOT use screws with different type or length than those currently fitted.
- DO NOT remove EARTH wires under any circumstances.
- REPLACE all covers removed during servicing.
- During reassembly DO NOT allow wires to be trapped.

IF IN DOUBT RETURN UNIT TO SUPPLIER.

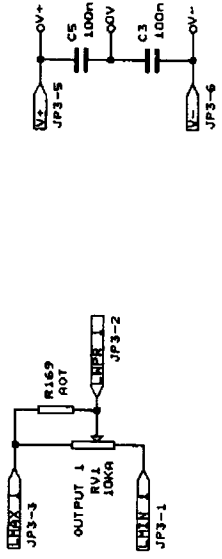
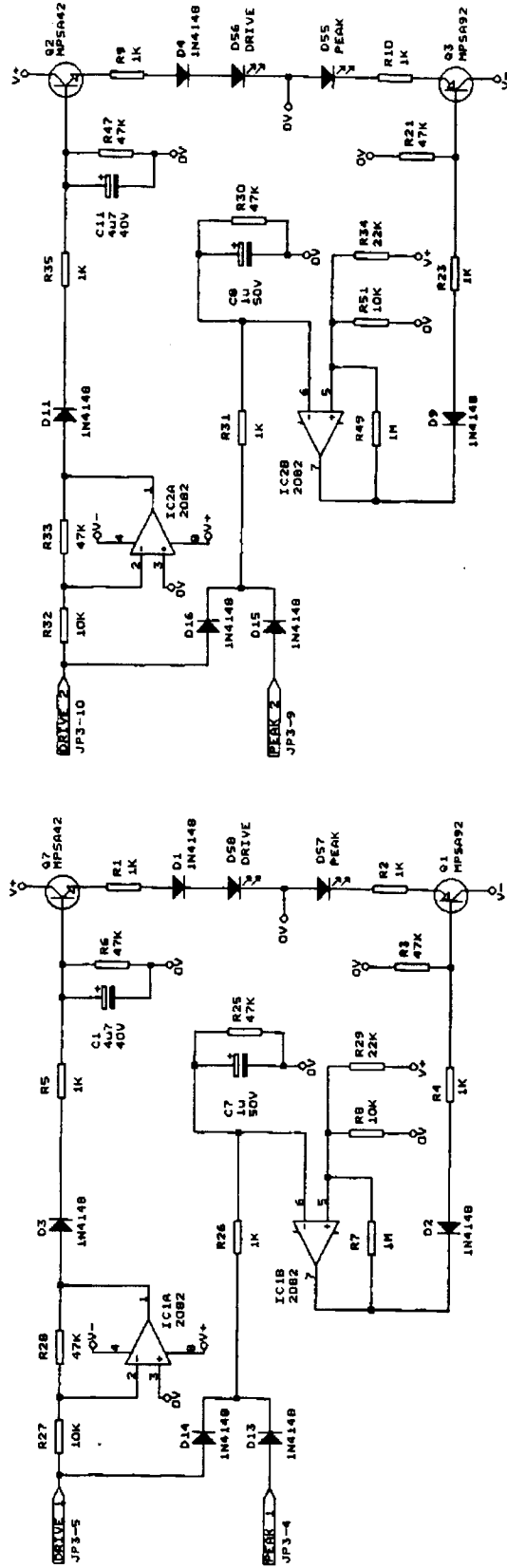
TL Audio		
COPYRIGHT 1999		
Title PA-5001 PRE-AMPLIFIER		
Size	Document Number	REV
B	CD1159	3
Date:	April 6, 1999	Sheet 1 of 8



T L Rudlo
 COPYRIGHT 1999
 PA-5001 MIC PRE-AMP
 Size Document Number
 B CD1159
 REV 3
 DATE: APR 16, 1999 ERET 2 OF 8

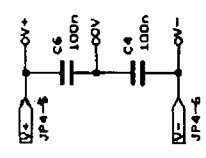
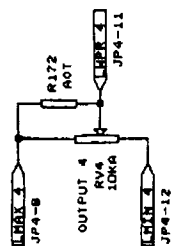
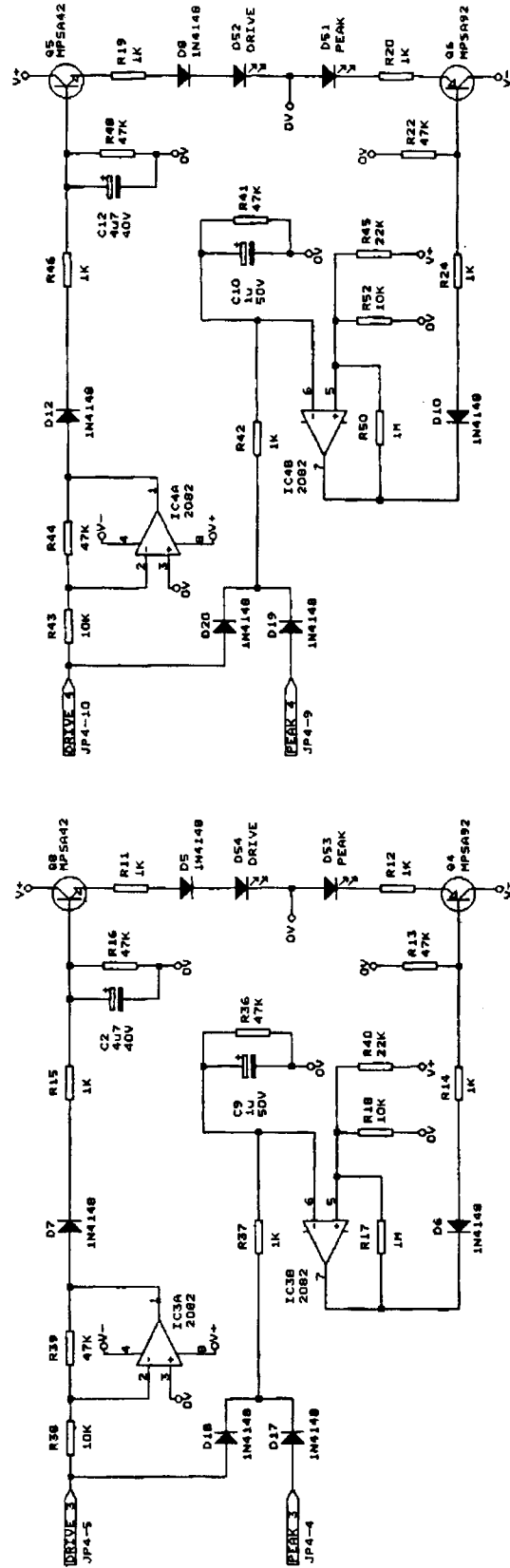


T L Audio	
COPYRIGHT 1999	
Title PA-5001 MIC PRE-RMP	
Size	Document Number
B	CO1159
REV	Date: April 16, 1999
3	Sheet 3 of 8



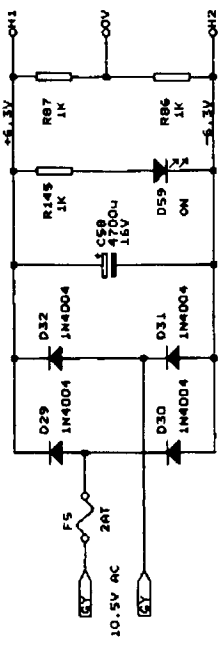
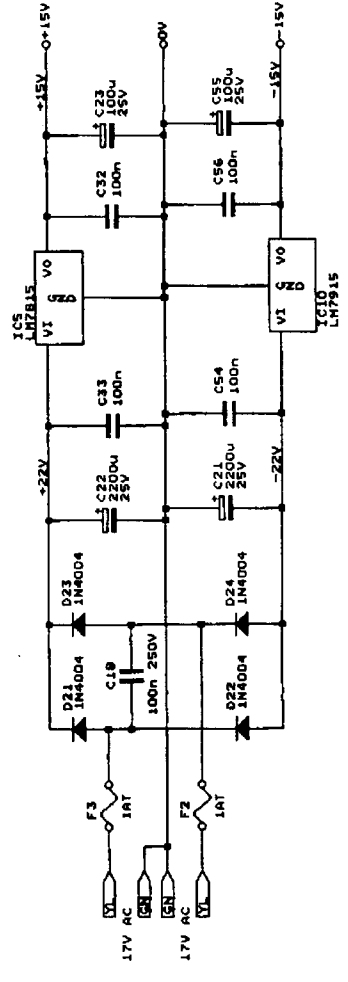
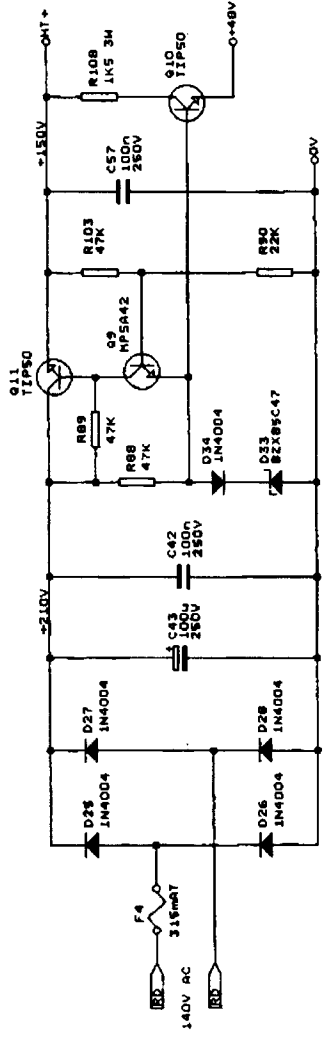
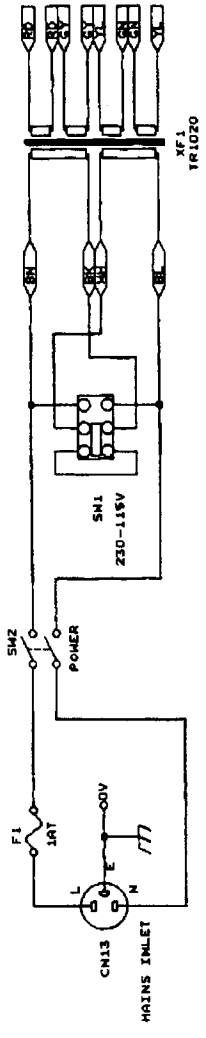
PC159B

T L Audio	
COPYRIGHT 1999	
TITLE PA-5001 MIC PRE-AMP	
REV	3
SIZE	8
DOCUMENT NUMBER	COL159
DATE	APR 21 5 1999
REV	8



PC159C

T L Audio	
COPYRIGHT 1999	
Title PA-5001 MIC PRE-AMP	
Size	Document Number
B	CD1159
REV	Date: April 6, 1999 15:18
3	7 of 8



TL Audio	
COPYRIGHT 1999	
TITLE PA-5001 MIC PRE-AMP	
SHEET NUMBER CD1159	
B	REV 3
DATE: APRIL 6, 1999	
BY: BDF	