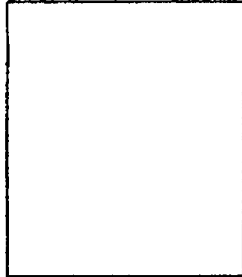
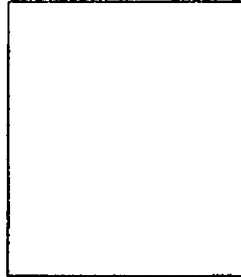


Change Note, number CN022		Date: 10.2.98.	Originator: DK.			
Products affected: 5021 Compressor						
Effective from serial number: 580104						
Reason for change: Improve Gate operation.						
Description of change: Replace transconductance circuit with optically-isolated FET.						
Circuit Diagram change?		Y	New issue: CD1162 iss 3			
Parts List change?		Y	New issue: PL1162 iss 7			
PCB Change?		N	New issue: PC162 iss 3			
Metalwork change?		N	New issue:			
Test Specification change?		N	New issue:			
Other comments:						
Circulation:	Tech File	Prod Mgr	Test	TLPS		

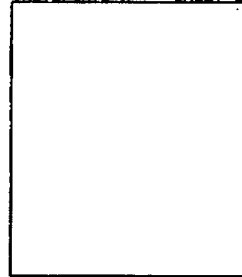
INPUT A SHEET 1



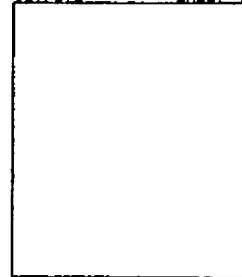
COMPRESSOR A SHEET 2



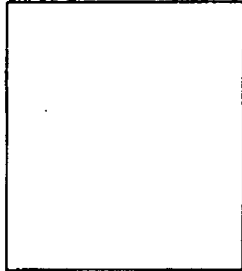
VALVE/GATE A SHEET 3



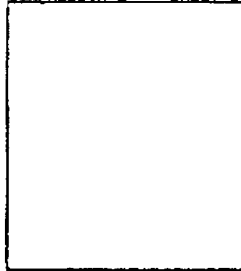
OUTPUTS SHEET 4



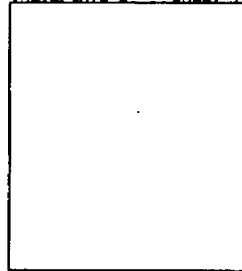
INPUT B SHEET 5



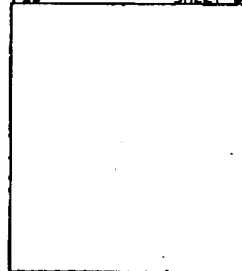
COMPRESSOR B SHEET 6



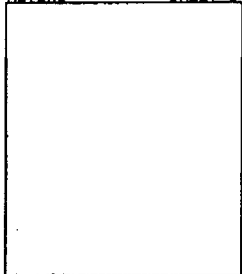
VALVE/GATE B SHEET 7



PSV SHEET 8

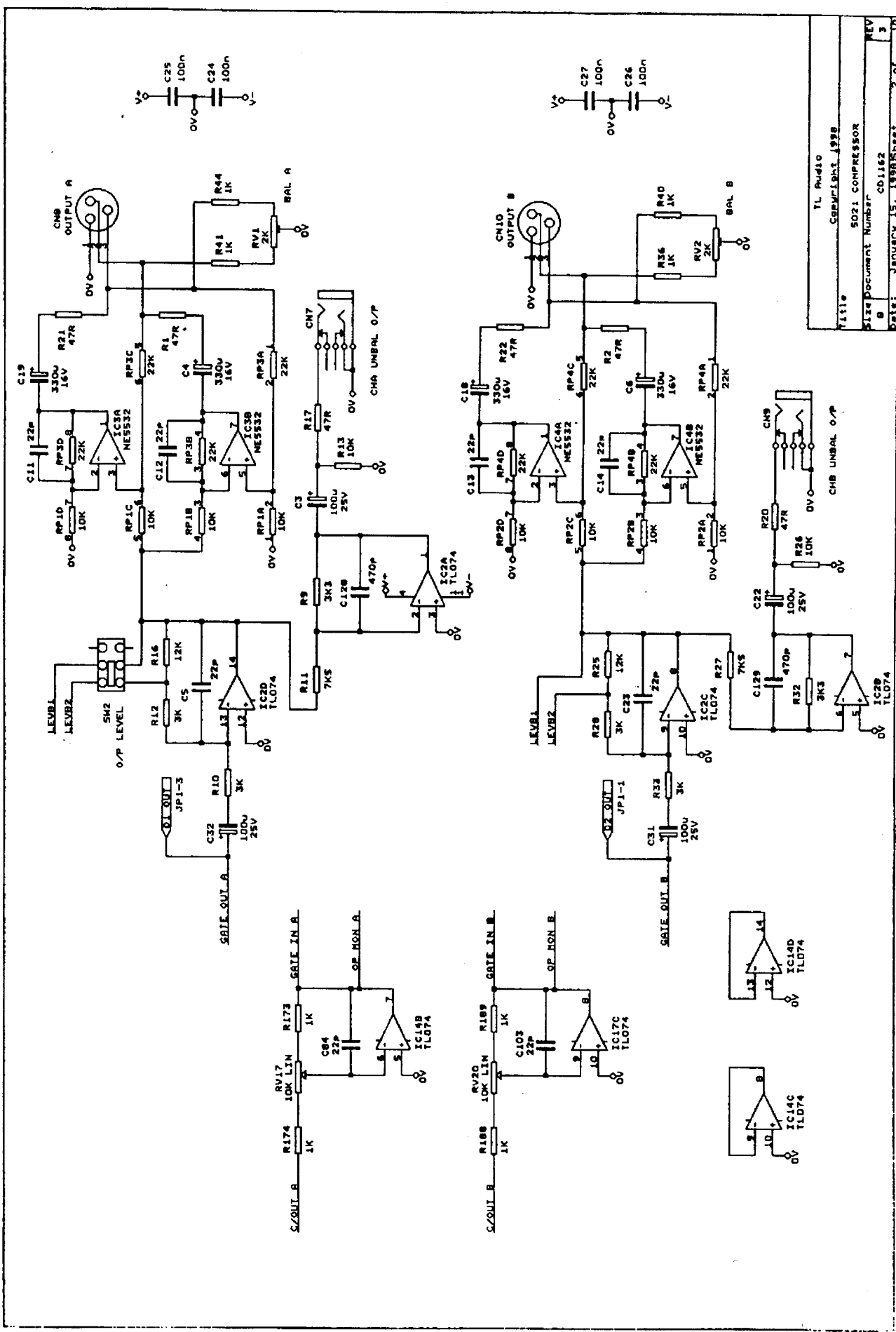


METERS SHEET 9

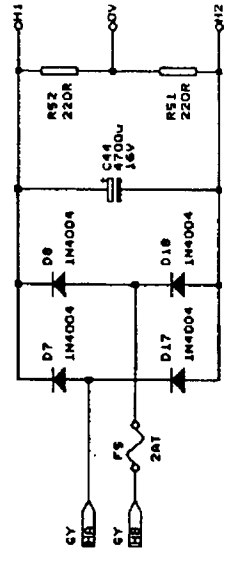
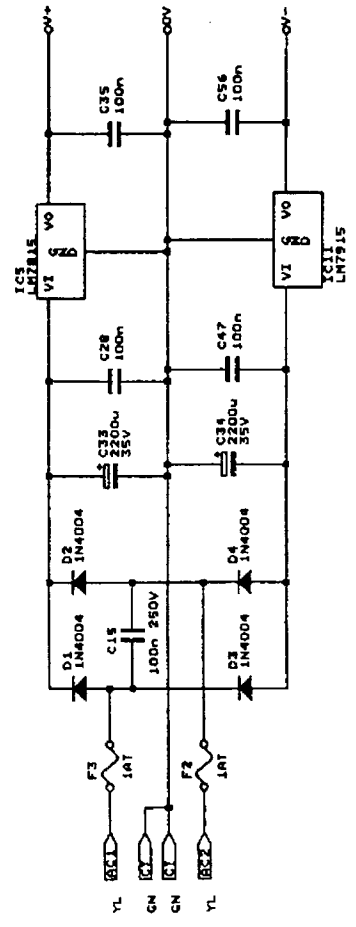
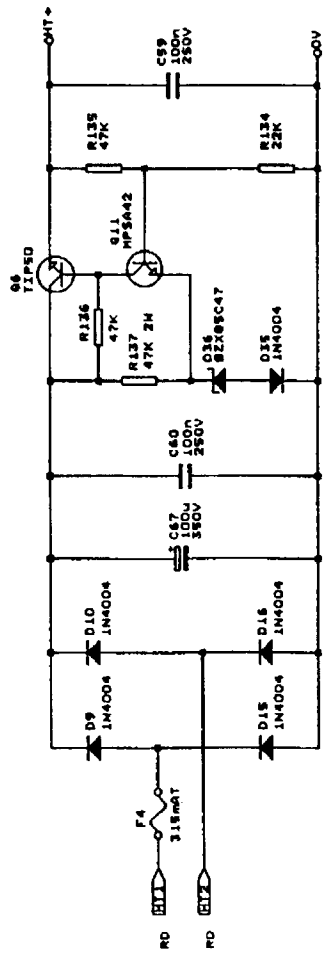
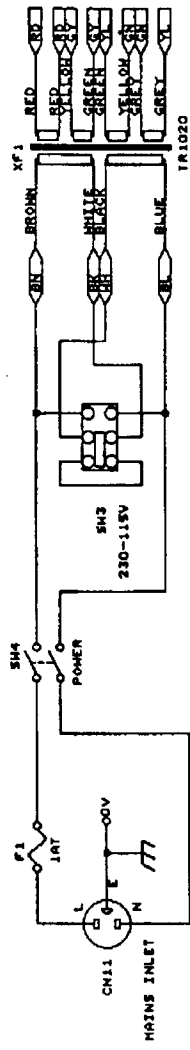


REV	SERIAL NUMBERS
1	580001-580002
2	580003-580103
3	580104-

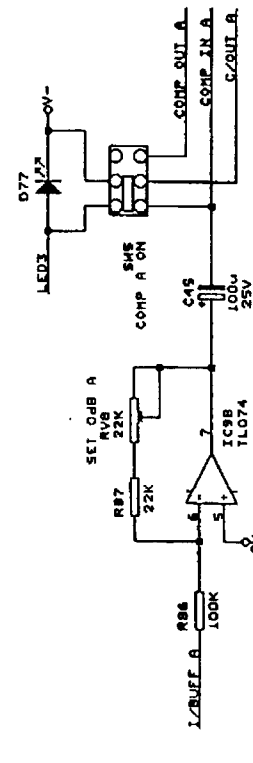
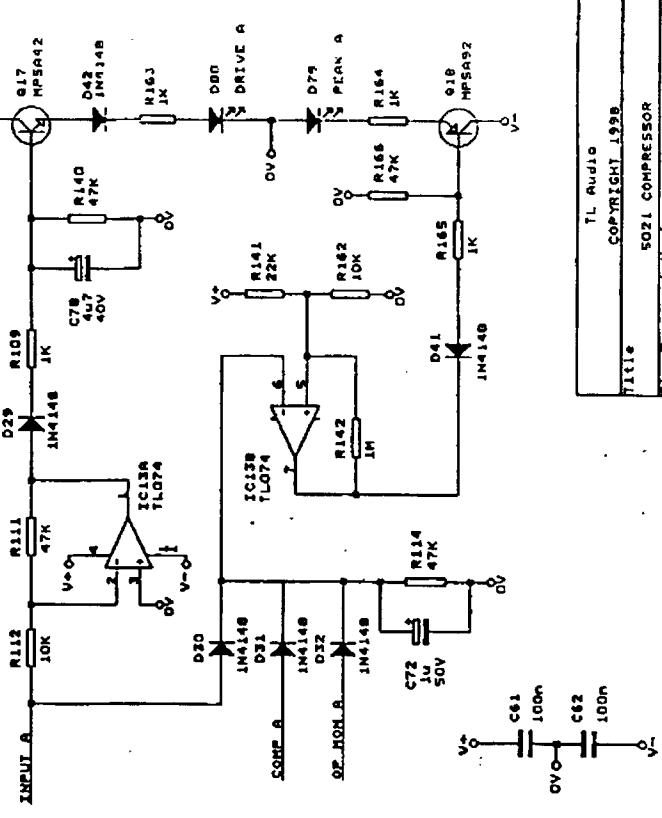
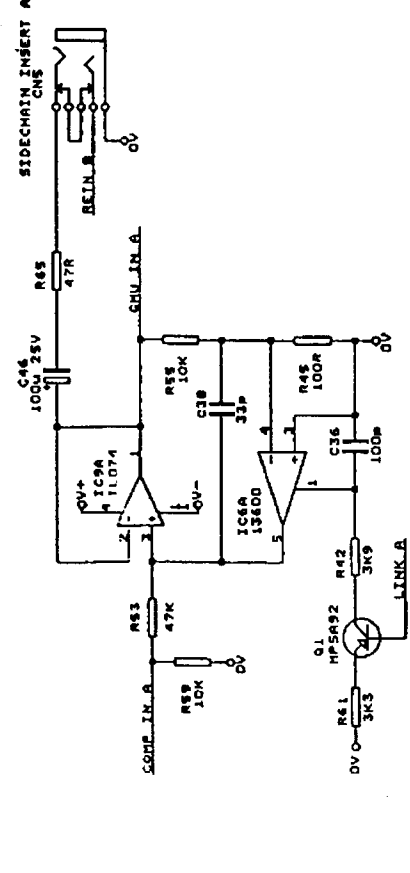
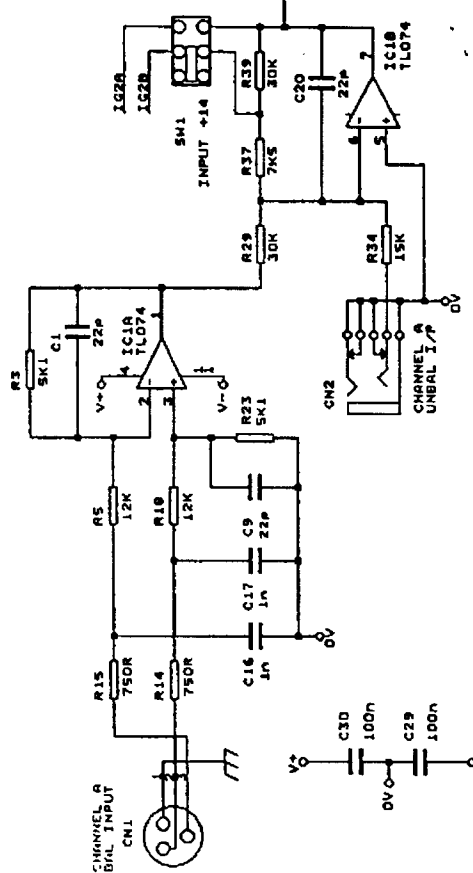
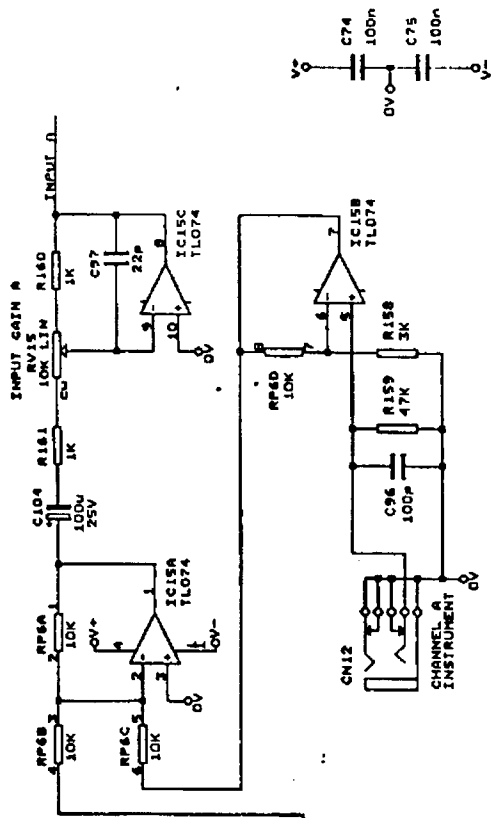
TL Audio	
COPYRIGHT 1998	
Title 5021 COMPRESSOR	
Size Document Number	REV
8 CD1162	3
Date: February 10, 1998	Sheet 1 of 10



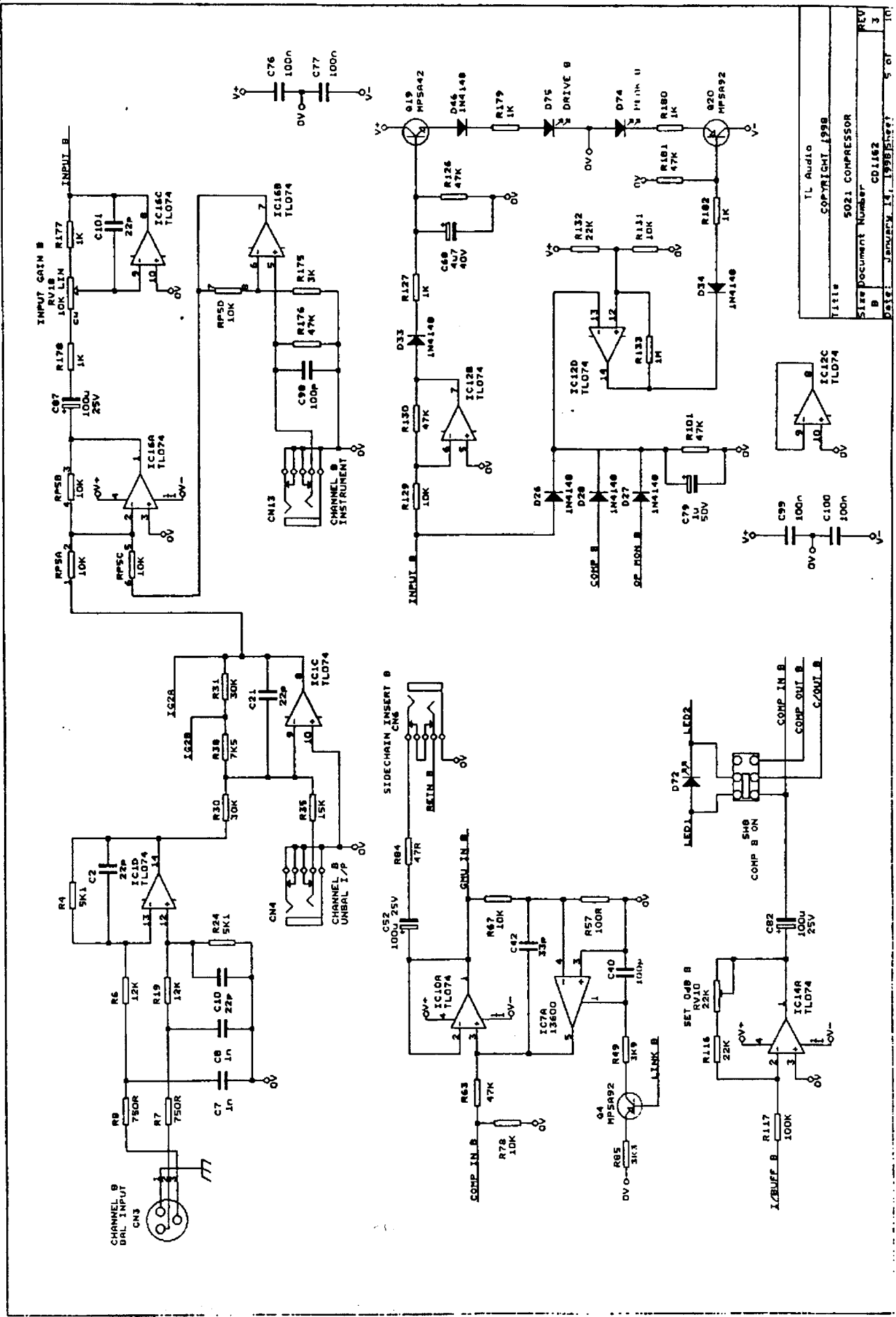
REV	3
FILE	8
SIZE	Document Number
DATE	January 15, 1988
FILE	TL Audio
FILE	Complight 1988
FILE	8021 COMPRESSOR
FILE	CD1162
FILE	2 of 10



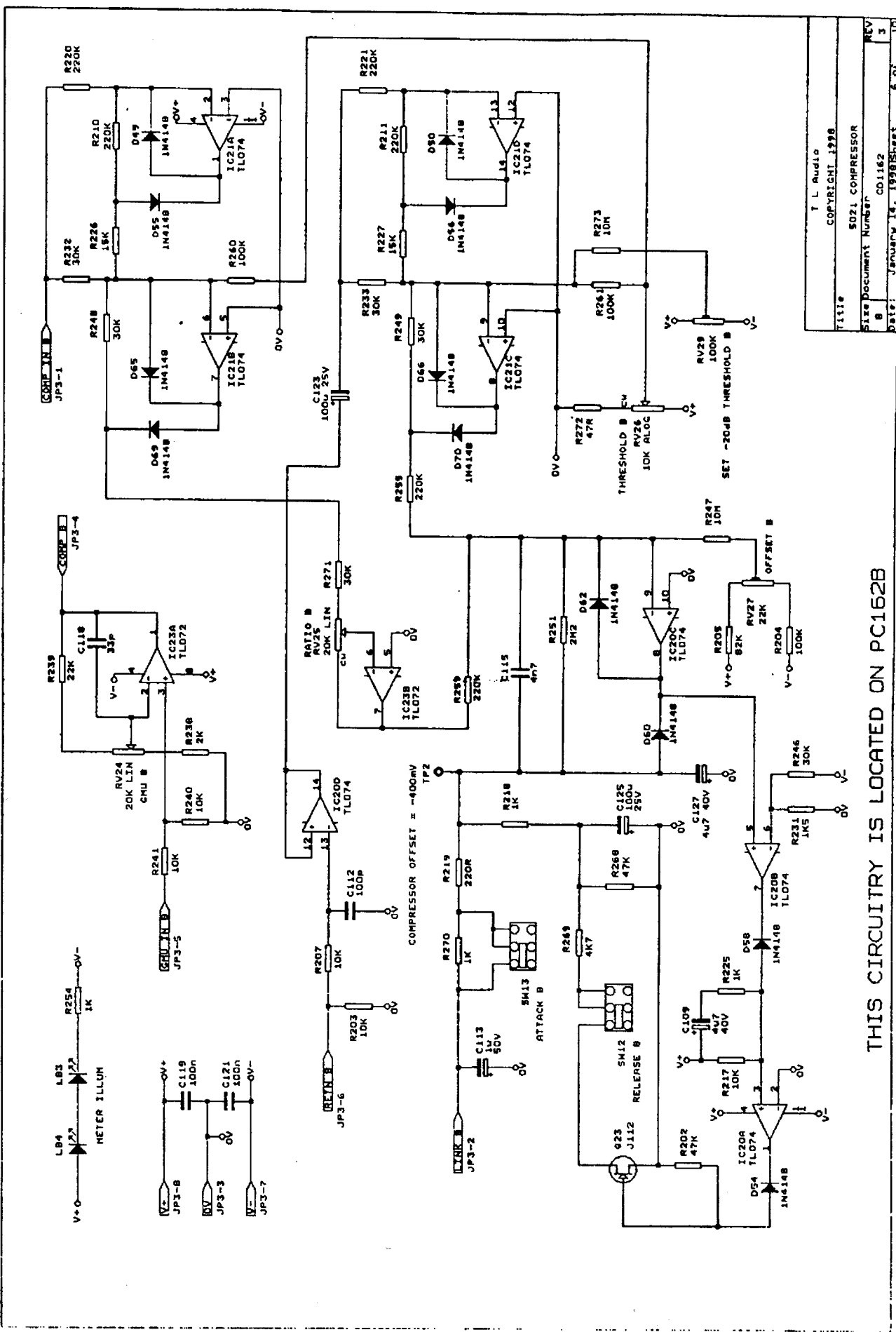
TITLE TL Audio
 COPYRIGHT 1998
 SIZE DOCUMENT NUMBER 8021 COMPRESSOR
 REV 3
 Date: January 14, 1998 Sheet 3 of 10



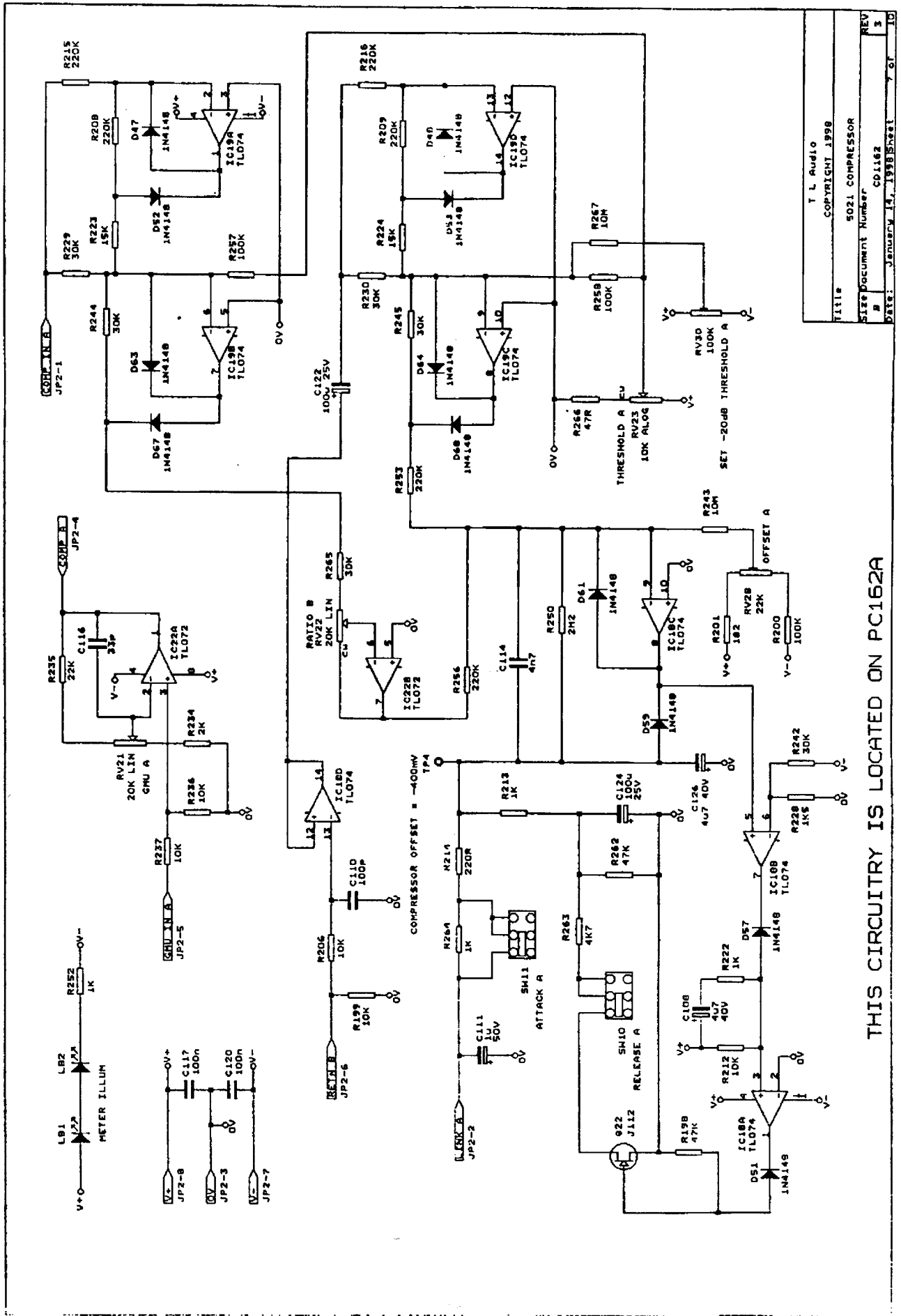
TL Audio	
COPYRIGHT 1998	
Title	5021 COMPRESSOR
Size	Document Number
REV	COL162
3	3 OF 10



TL Audio
 COPYRIGHT 1998
 5021 COMPRESSOR
 Size Document Number: CD1162
 B 3
 REV 3
 DATE: JANUARY 14, 1998 Sheet 5 of 10



THIS CIRCUITRY IS LOCATED ON PC162B



THIS CIRCUITRY IS LOCATED ON PC162A

REV	3
REV	3
Size Document Number	5021 COMPRESSOR
Date:	January 14, 1998 Sheet 7 of 10
Title	T L Audio COPYRIGHT 1998

