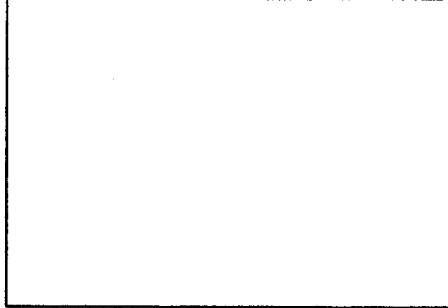


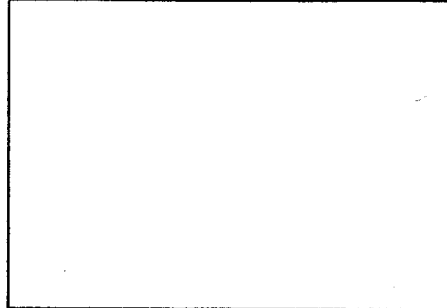
HIG INPUT

SHEET 2



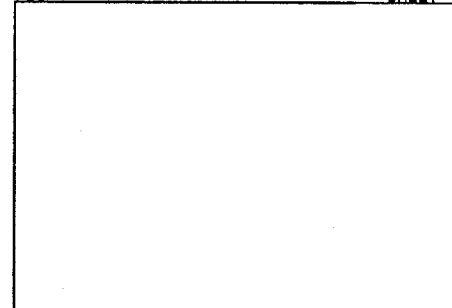
COMPRESSOR

SHEET 3



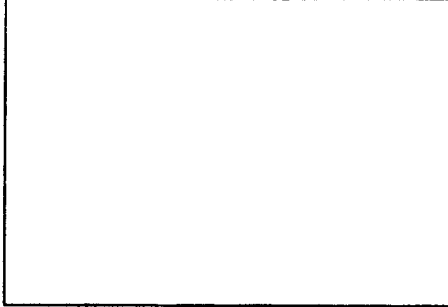
PSU

SHEET 4



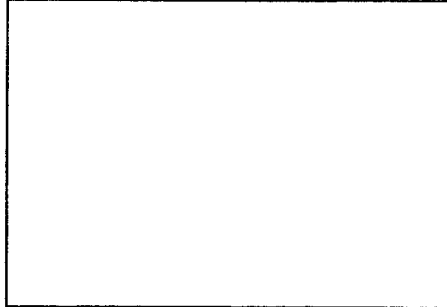
METERING

SHEET 5



OUTPUT

SHEET 6



NOTES FOR QUALIFIED SERVICE ENGINEERS

The following voltages exist within this unit under normal working circumstances: 230V (115V) AC Mains and 200V DC.
These voltages may take several minutes to decay after the unit is switched off.

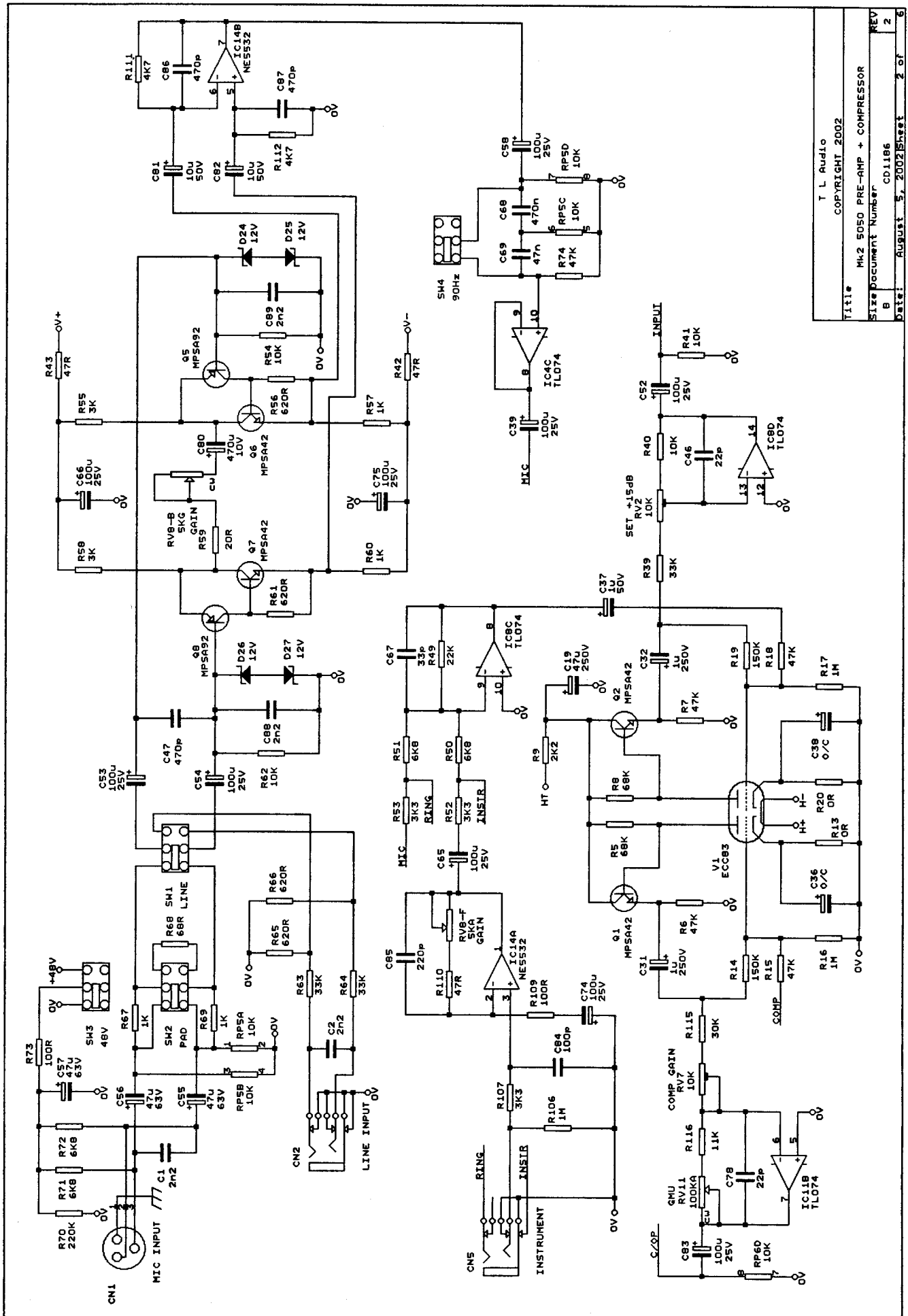
CARE MUST BE TAKEN WHEN FAULT FINDING.

- DO NOT handle the PCB while the unit is connected to the Mains Supply.
- DO NOT use screws with different type or length than those currently fitted.
- DO NOT remove EARTH wires under any circumstances.
- REPLACE all covers removed during servicing.
- During reassembly DO NOT allow wires to be trapped.

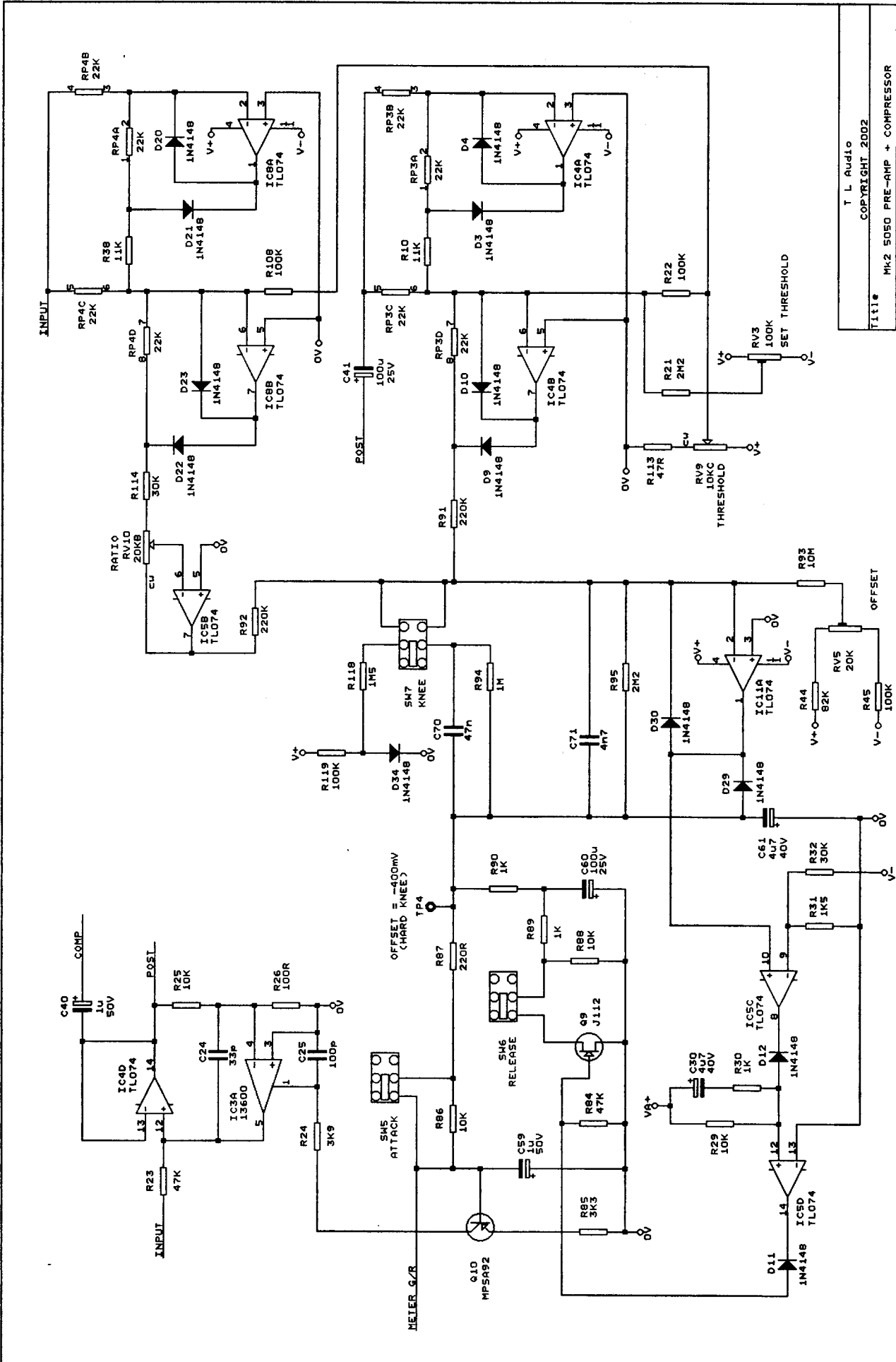
IF IN DOUBT RETURN UNIT TO SUPPLIER.

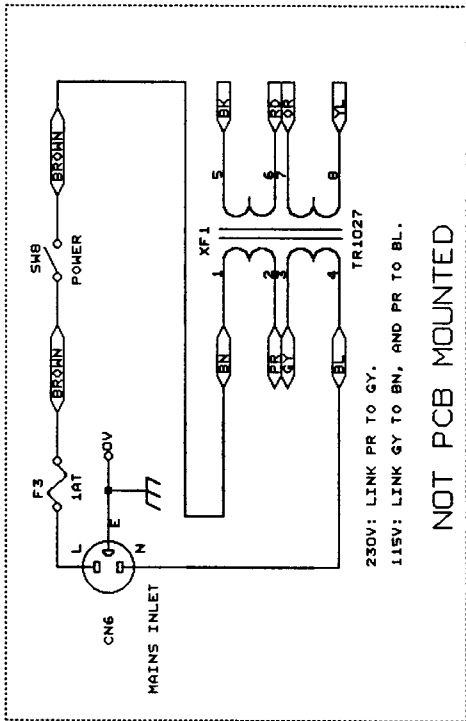
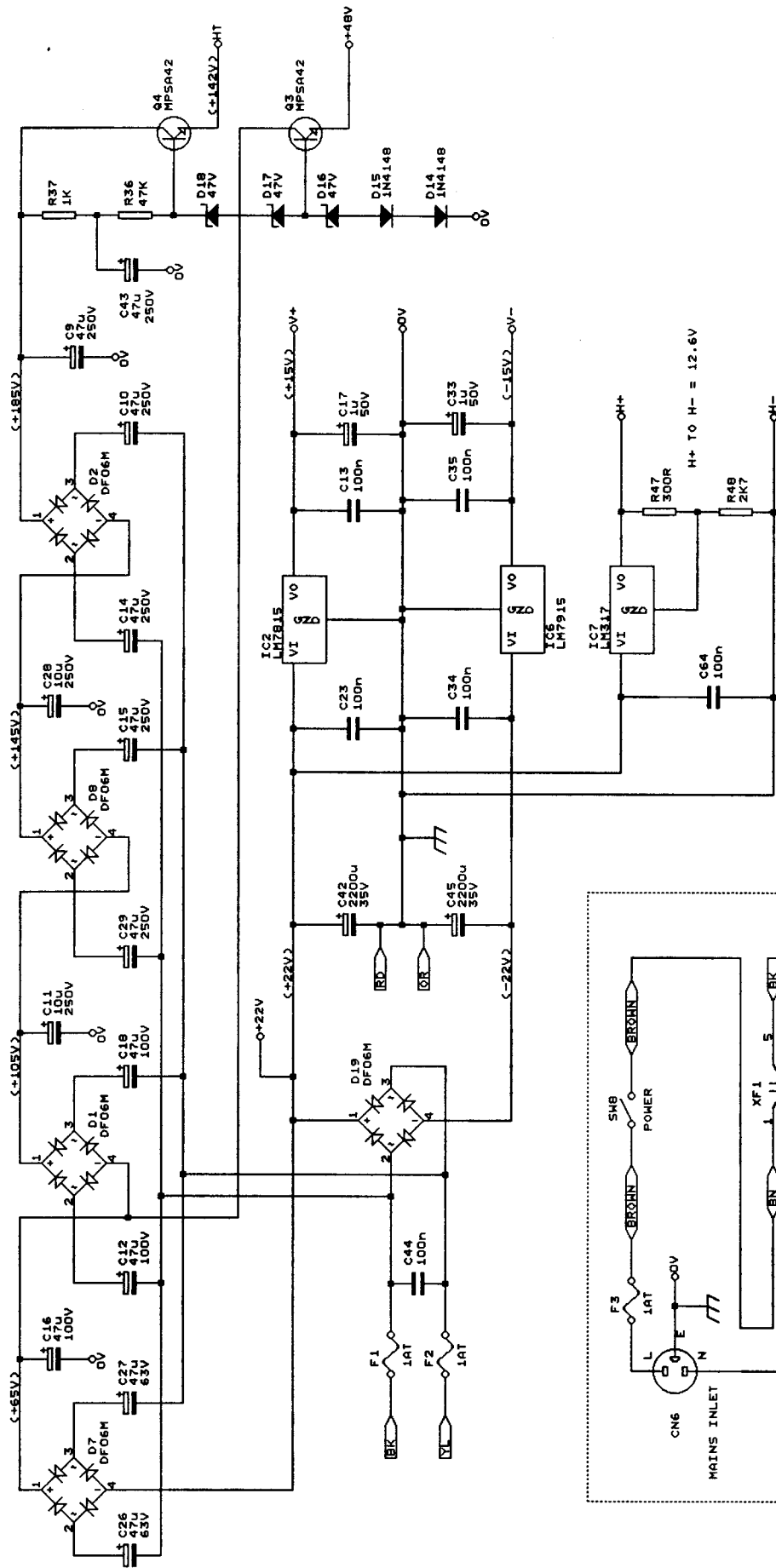
ISSUE 4 PCB.

T L Audio	
COPYRIGHT 2002	
Title	Mk2 5050 PRE-AMP + COMPRESSOR
Size	Document Number
B	CD1186
Date:	August 5, 2002
Sheet	1 of 6
REV	2



Title	T L Audio
Copyright	COPYRIGHT 2002
Rev	MK2 5050 PRE-AMP + COMPRESSOR
Size	Document Number CD1186
Page	2
Date	August 5, 2002 Sheet 2 of 5

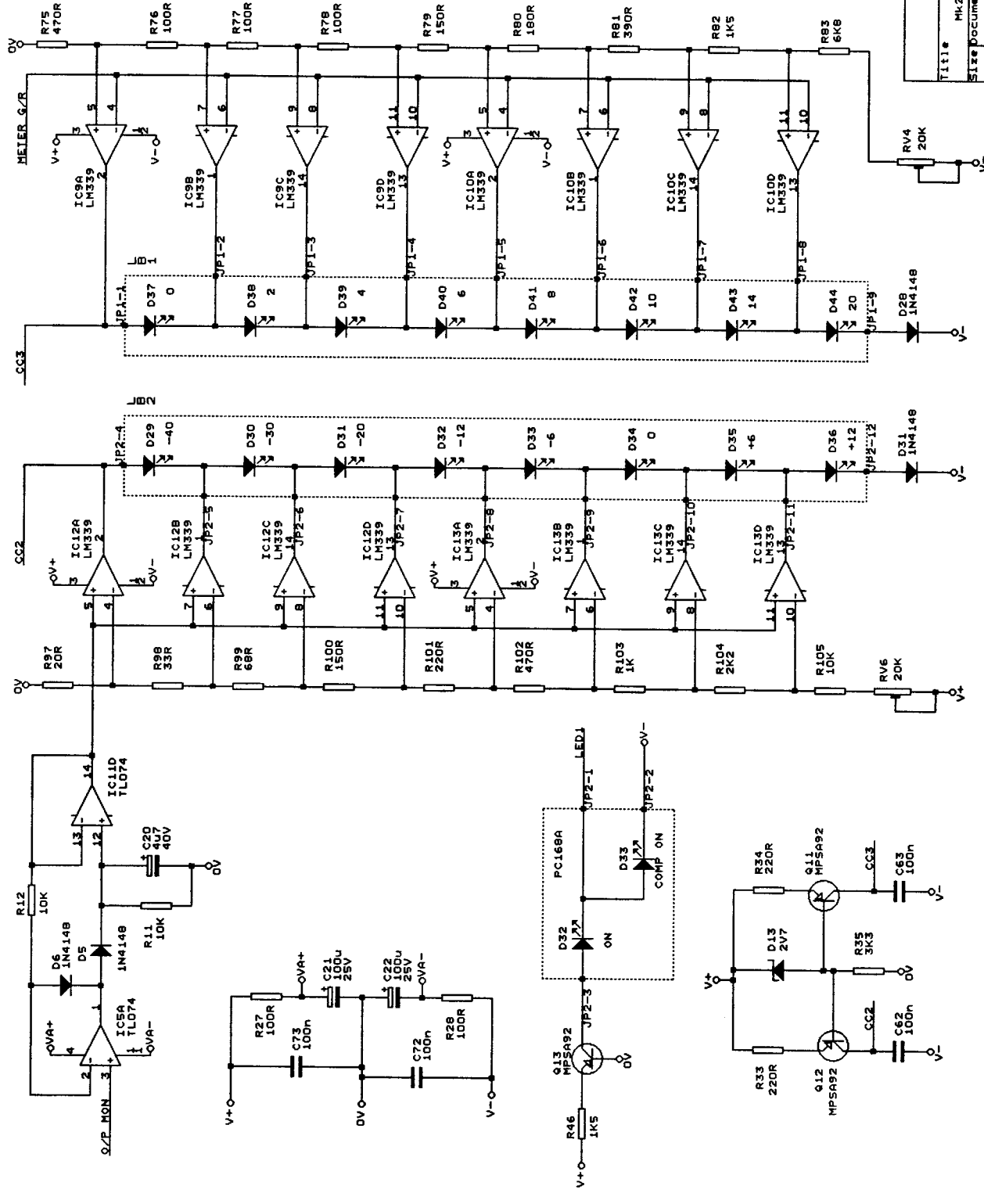




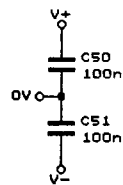
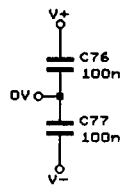
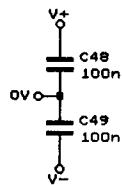
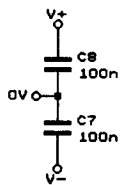
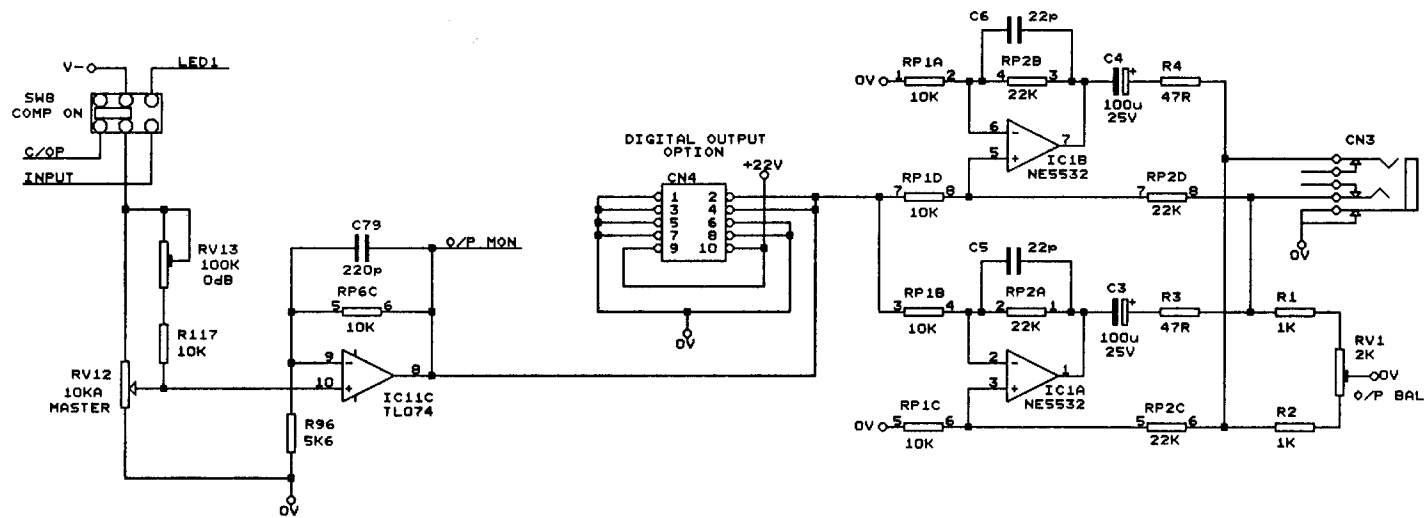
NOT PCB MOUNTED

TL Audio	
COPYRIGHT 2001	
Title	Mk2 5050 PRE-AMP + COMPRESSOR
Size	Document Number
B	CD1196
REV	2
Date	August 5, 2002 Sheet 4 of 6

PC186



Title: T L Audio
 Copyright: 2002
 Size: Mk2 S05D PRE-AMP + COMPRESSOR
 Document Number: CD1186
 Date: August 5, 2002
 Sheet: 5 of 6
 REV: 2



T L Audio		
COPYRIGHT 2002		
Title		
Mk2 5050 PRE-AMP + COMPRESSOR		
Size Document Number		REV
B		2
Date: August 5, 2002		Sheet 6 of 6