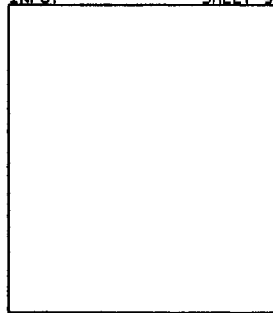
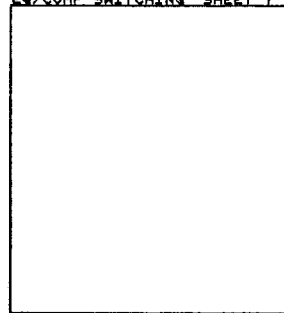


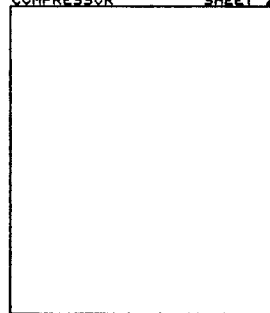
INPUT SHEET 5



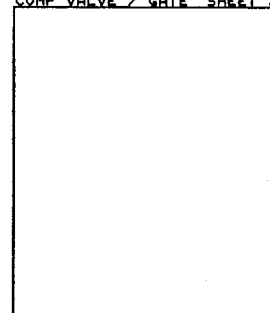
EG/COMP SWITCHING SHEET 7



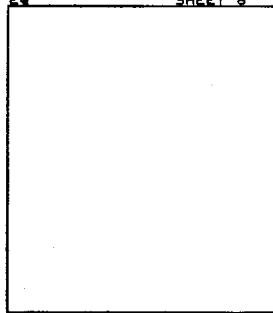
COMPRESSOR SHEET 2



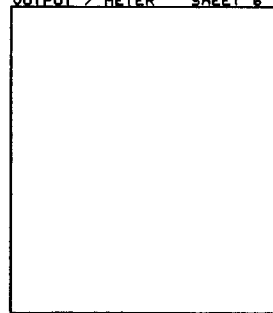
COMP VALVE / GATE SHEET 3



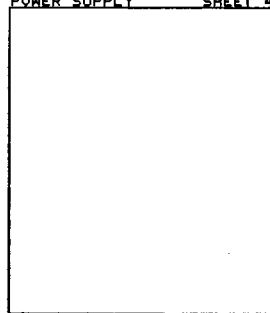
EG SHEET 9



OUTPUT / METER SHEET 6



POWER SUPPLY SHEET 4



### NOTES FOR QUALIFIED SERVICE ENGINEERS

The following voltages exist within this unit under normal working circumstances: 230V (115V) AC Mains and 250V DC.  
These voltages may take several minutes to decay after the unit is switched off.

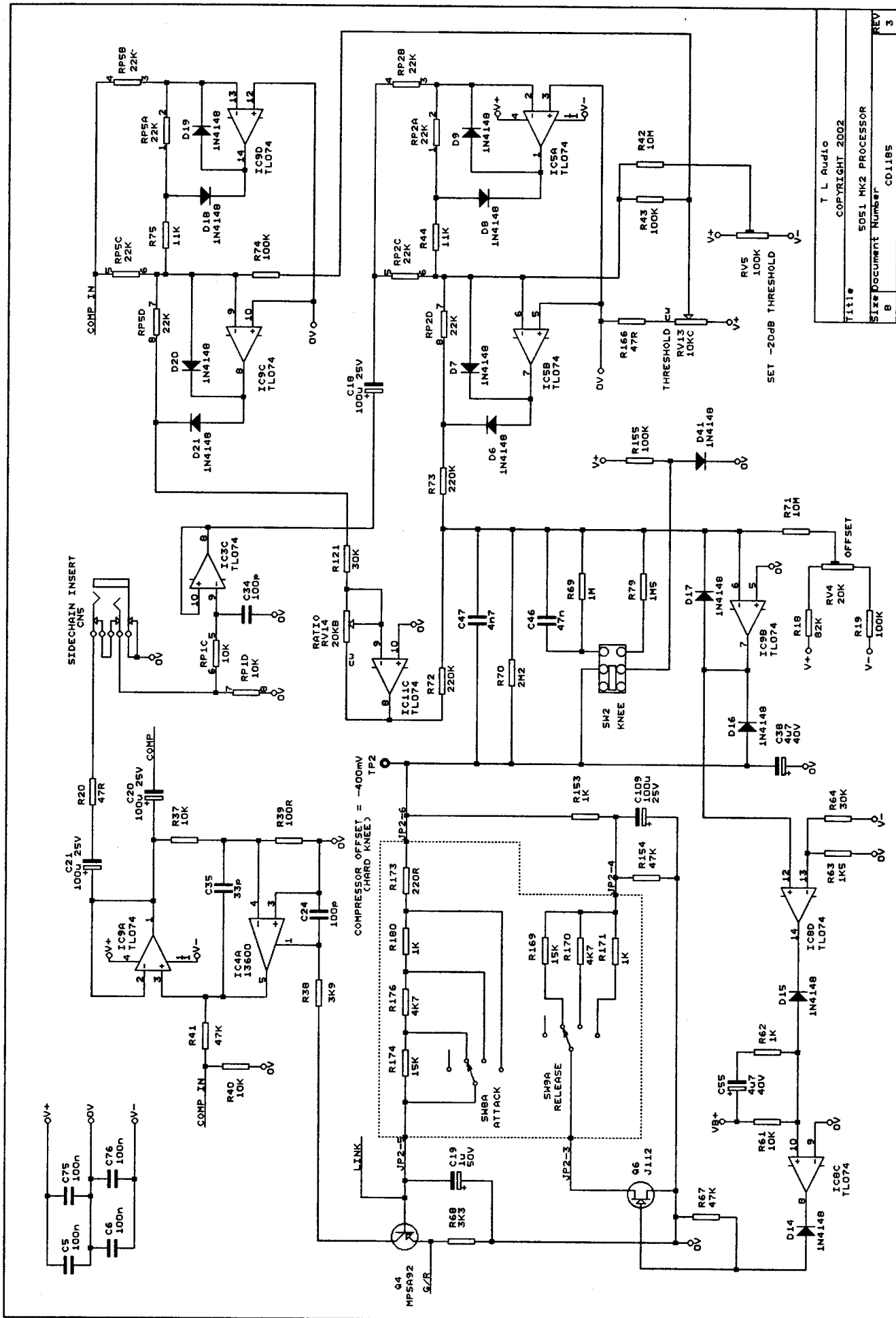
#### CARE MUST BE TAKEN WHEN FAULT FINDING.

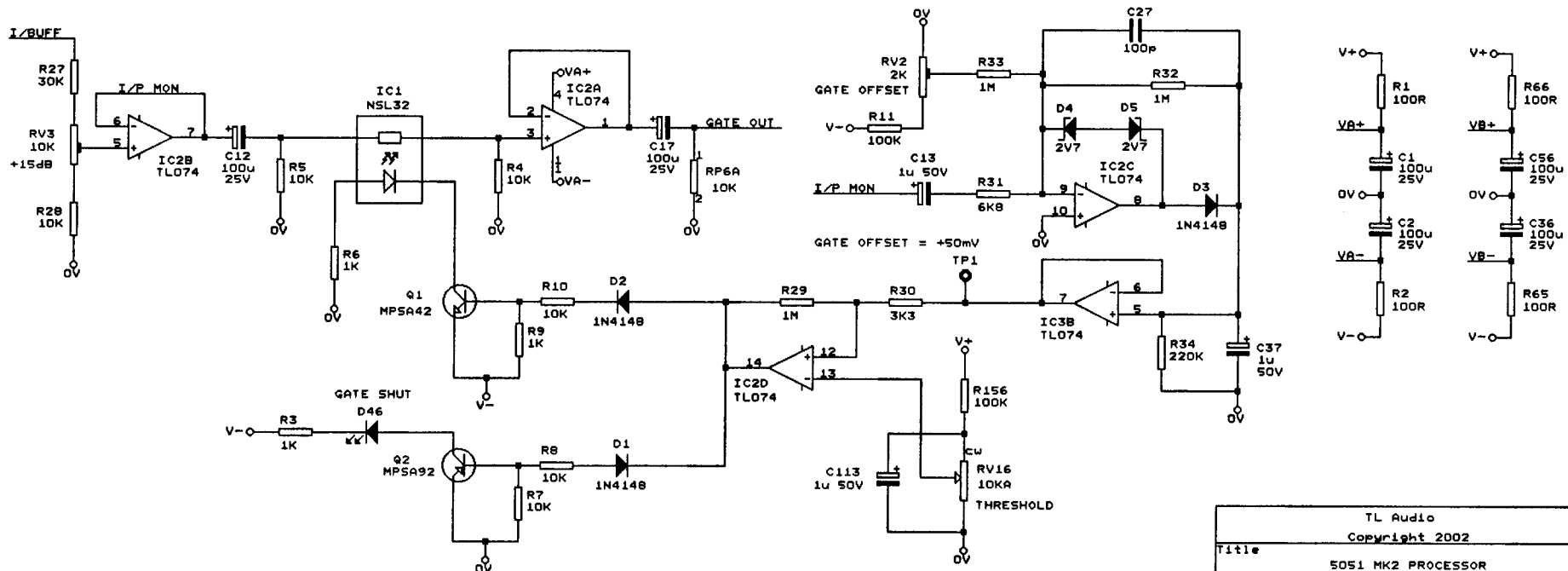
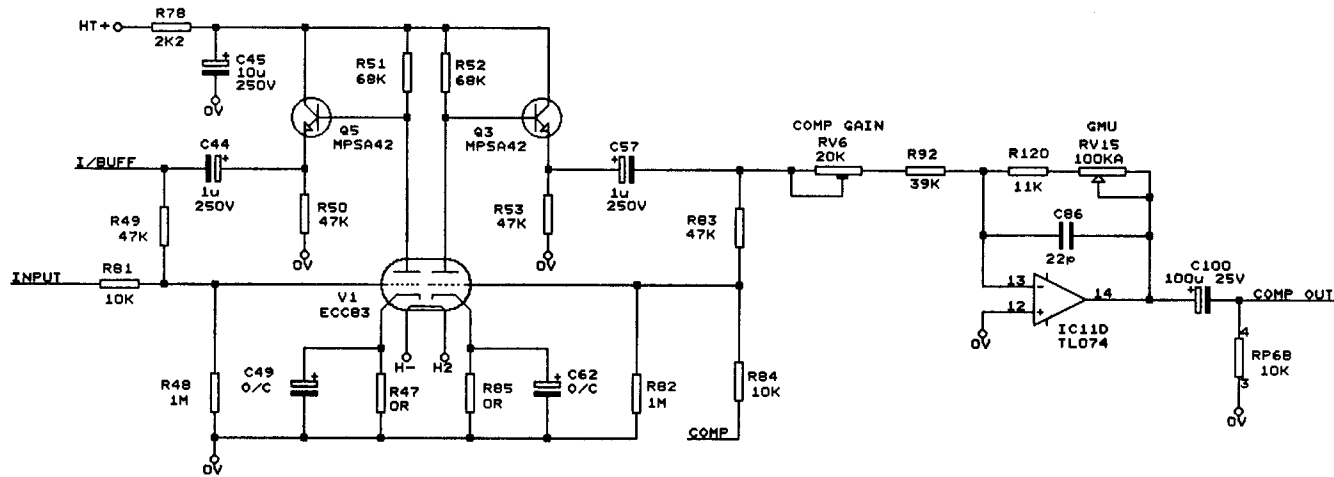
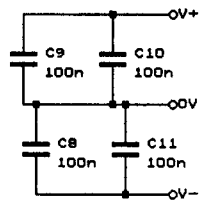
- DO NOT handle the PCB while the unit is connected to the Mains Supply.
- DO NOT use screws with different type or length than those currently fitted.
- DO NOT remove EARTH wires under any circumstances.
- REPLACE all covers removed during servicing.
- During reassembly DO NOT allow wires to be trapped.

IF IN DOUBT RETURN UNIT TO SUPPLIER.

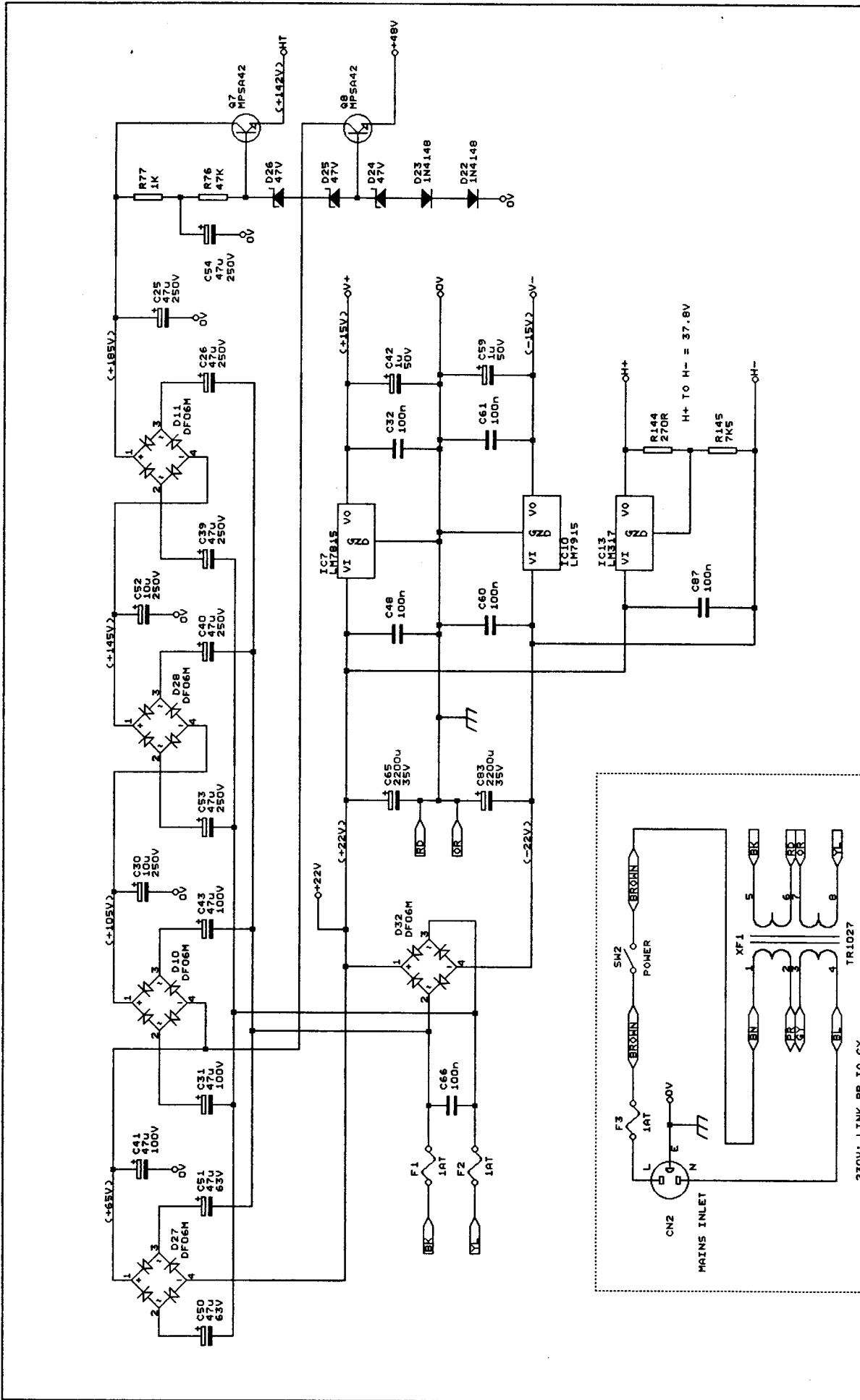
ISSUE 3 PCB.

T L Audio		
COPYRIGHT 2002		
Title	5051 MK2 PROCESSOR	
Size	Document Number	REV
B	CD1185	3
Date:	August 5, 2002	Sheet 1 of 8

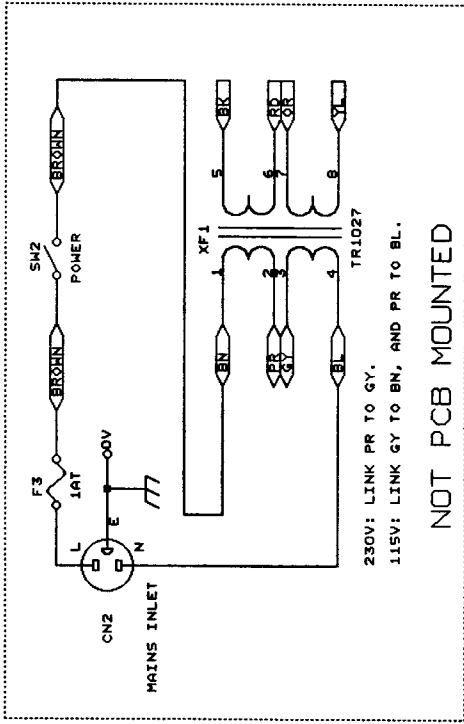




TL Audio		
Copyright 2002		
Title		
5051 MK2 PROCESSOR		
Size	Document Number	REV
B	CD1185	3
Date:	August 5, 2002	Sheet 3 of 8



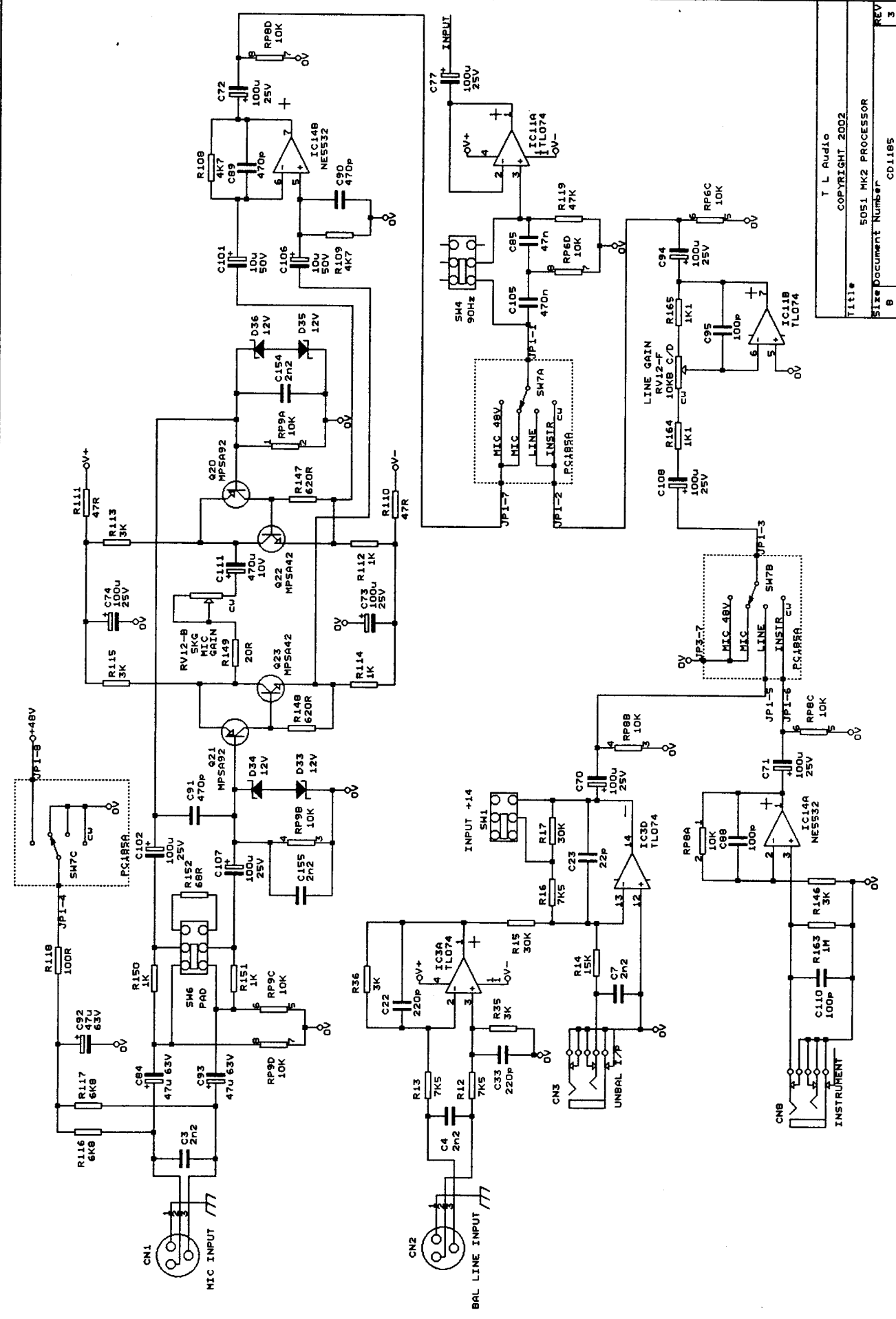
PC185



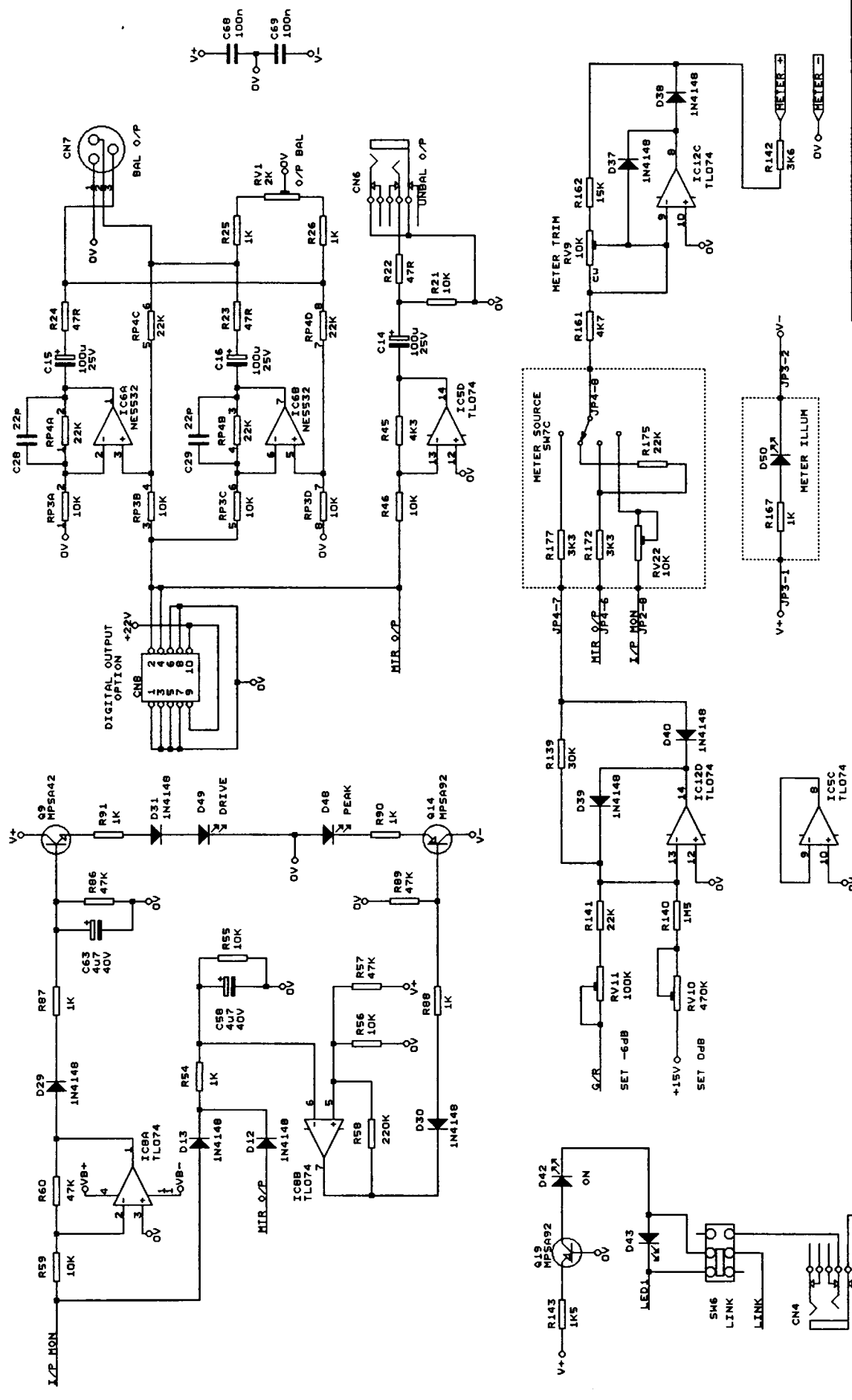
230V: LINK PR TO GY.  
115V: LINK GY TO BN, AND PR TO BL.

NOT PCB MOUNTED

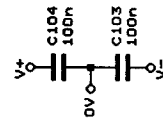
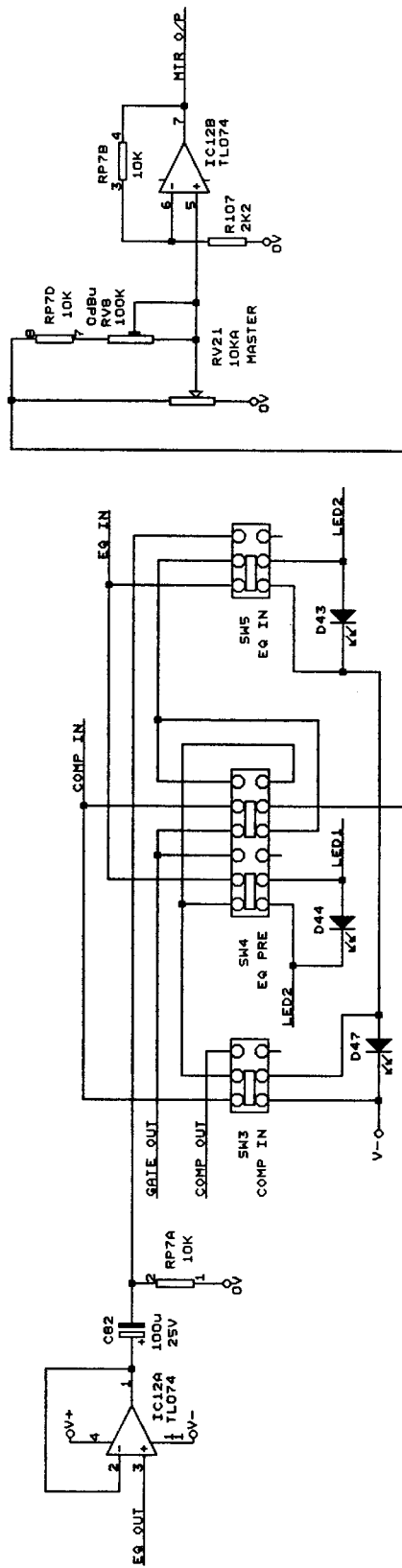
TL Audio	
COPYRIGHT 2002	
Title	5051 MK2 PROCESSOR
Size	Document Number CD1185
REV	3
Date	August 5, 2002 Sheet 4 of 5



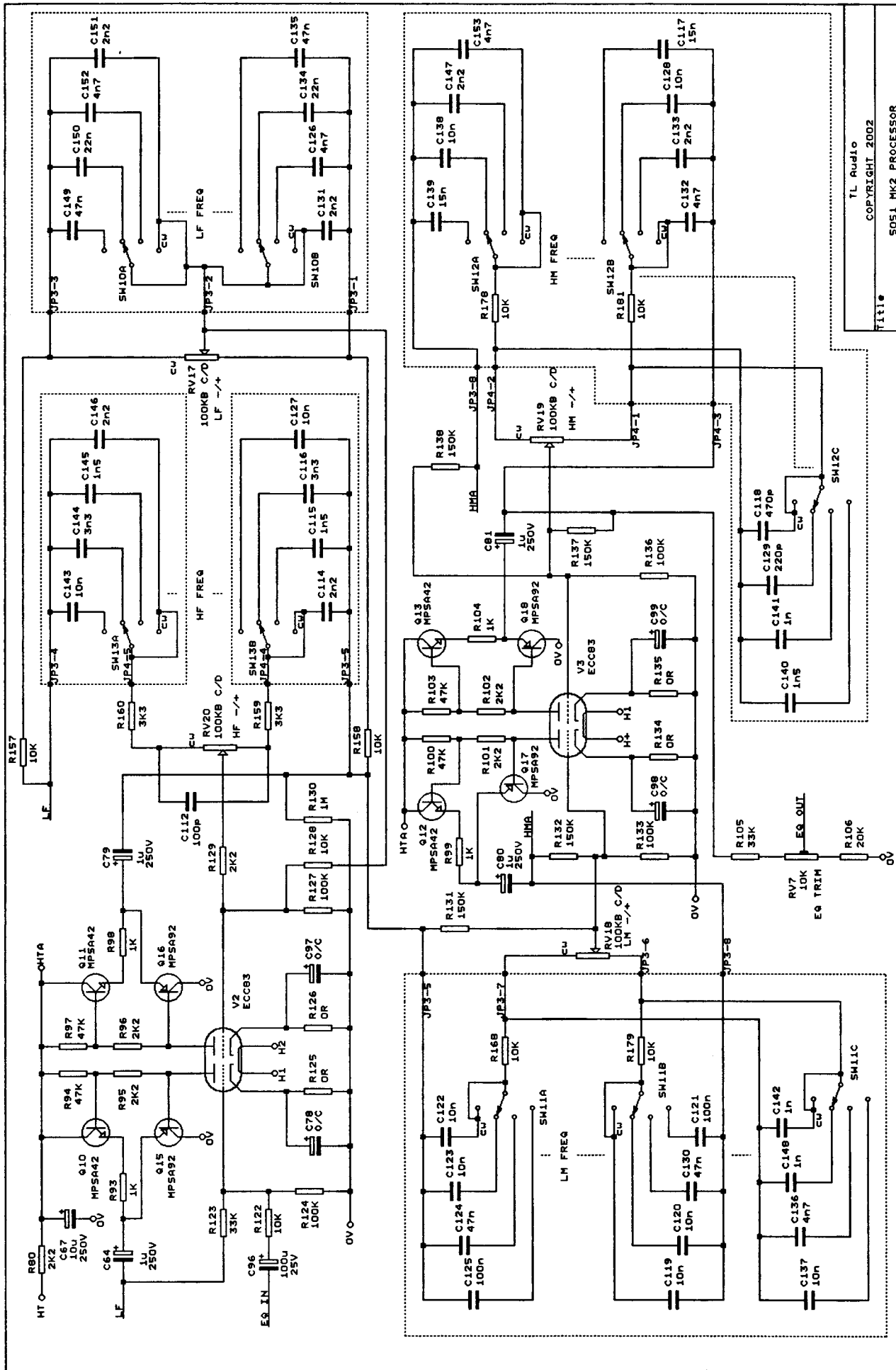
Title: T L Audio  
 Copyright: 2002  
 Size: 5051 MK2 PROCESSOR  
 Document Number: CD1165  
 Date: August 5, 2002 Sheet 5 of 8



Title  
 T L Audio  
 Copyright 2002  
 S051 MK2 PROCESSOR  
 Size Document Number  
 8 CD1185  
 REV 3  
 Date: August 5, 2002 Sheet 6 of 8



T L Audio	
COPYRIGHT 2002	
Title	SDS1 MK2 PROCESSOR
Size	Document Number
B	CD1185
REV	3
Date:	August 5, 2002 Sheet 7 of 8



NOTE: CIRCUITRY WITHIN DASHED LINES IS LOCATED ON PC1638

Title	TL Audio COPYRIGHT 2002
Size	5051 MK2 PROCESSOR
Document Number	CD1105
Date	August 5, 2002
Sheet	8 of 8
REV	3