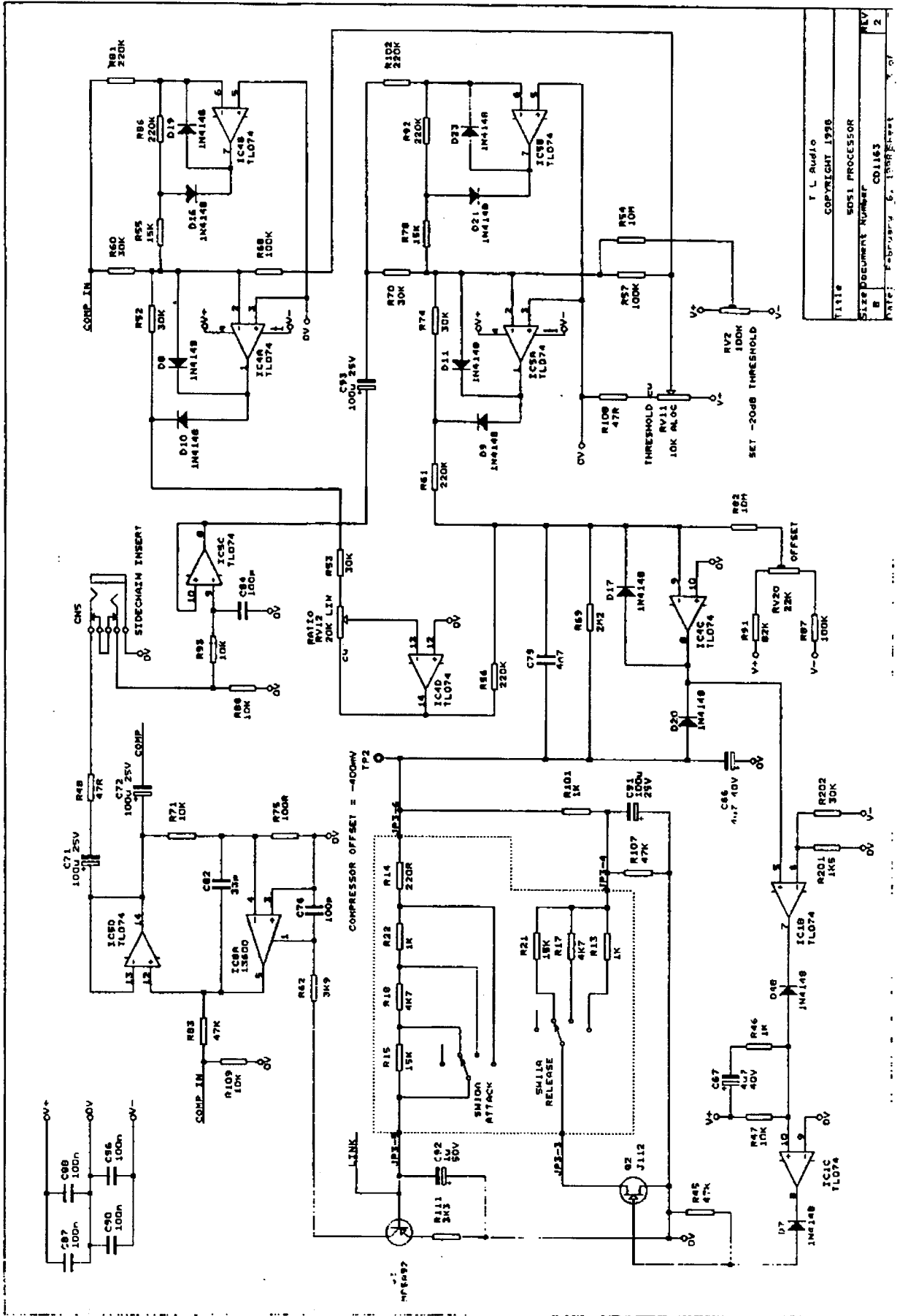
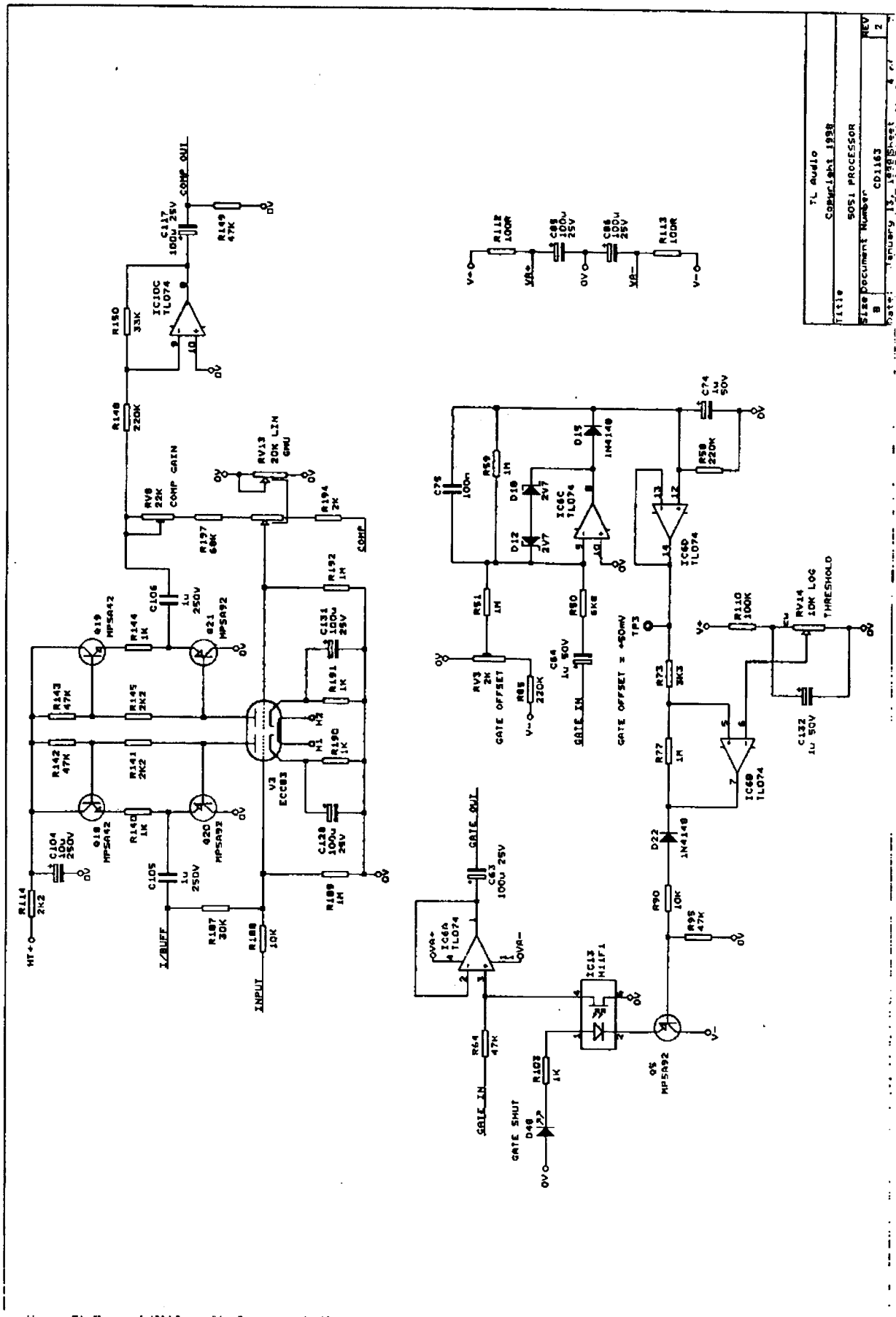


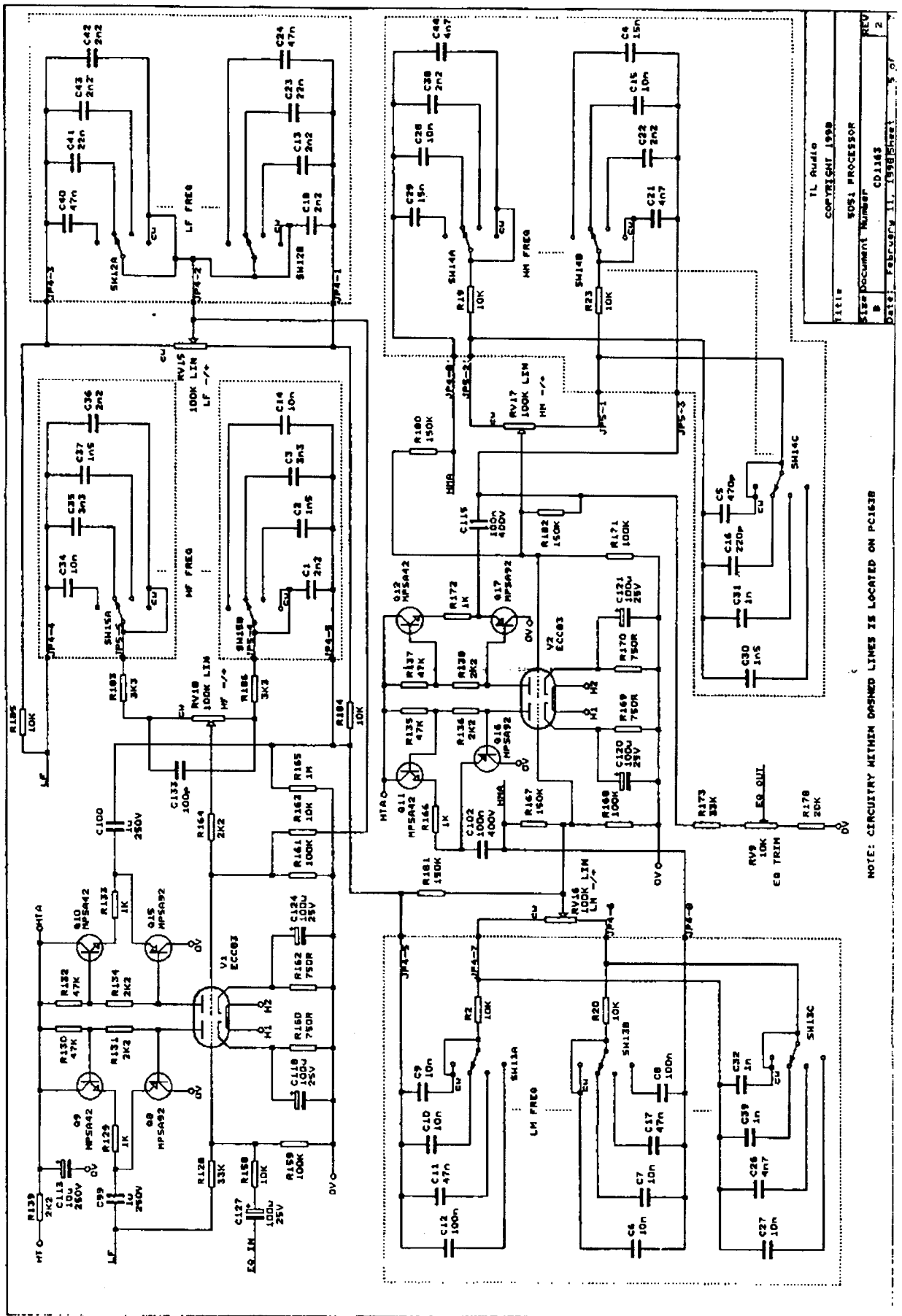
A.O.T.

TITLE	T. L. Audio
DATE	COPYRIGHT 1998
DESIGNER	SOSI PROCESSOR
DATE	05/11/83
REV	2



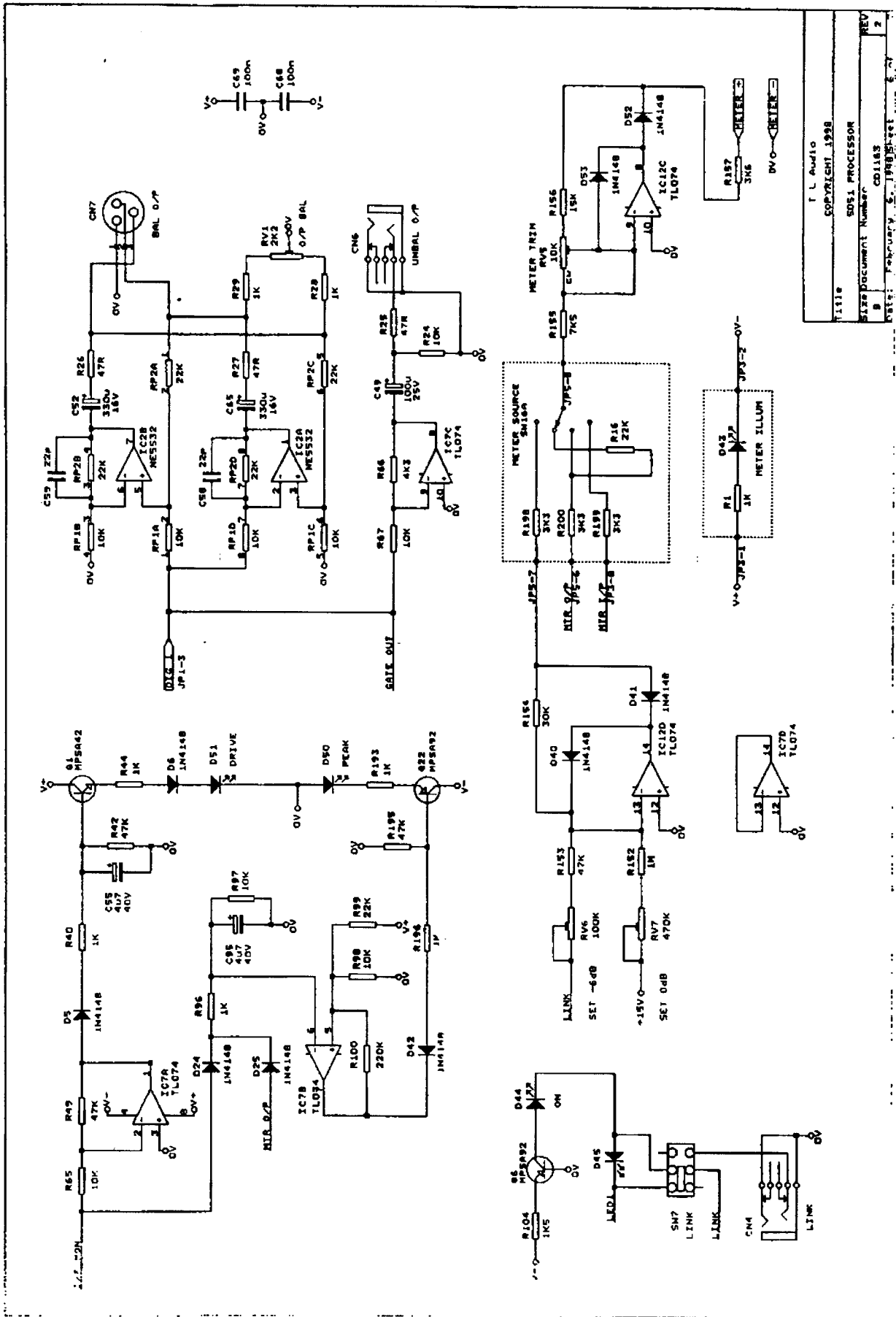


TITLE	TL audio
DATE	08/11/81
DESIGNER	9051 PROCESSOR
DRAWN	8
CHECKED	CD1143
REV	2



NOTE: CIRCUITRY WITHIN DASHED LINES IS LOCATED ON PC163B

TITLE	TL Audio
DATE	FEBRUARY 11, 1968
STEP DOCUMENT NUMBER	B
REV	2
DESIGNER	CD1183
PROCESSOR	8051
COPYRIGHT	1968



T L Audio
 COPYRIGHT 1998
 SD51 PROCESSOR
 SIZE Document Number CD185
 REV P
 DATE February 5, 1998