

6

5

4

3

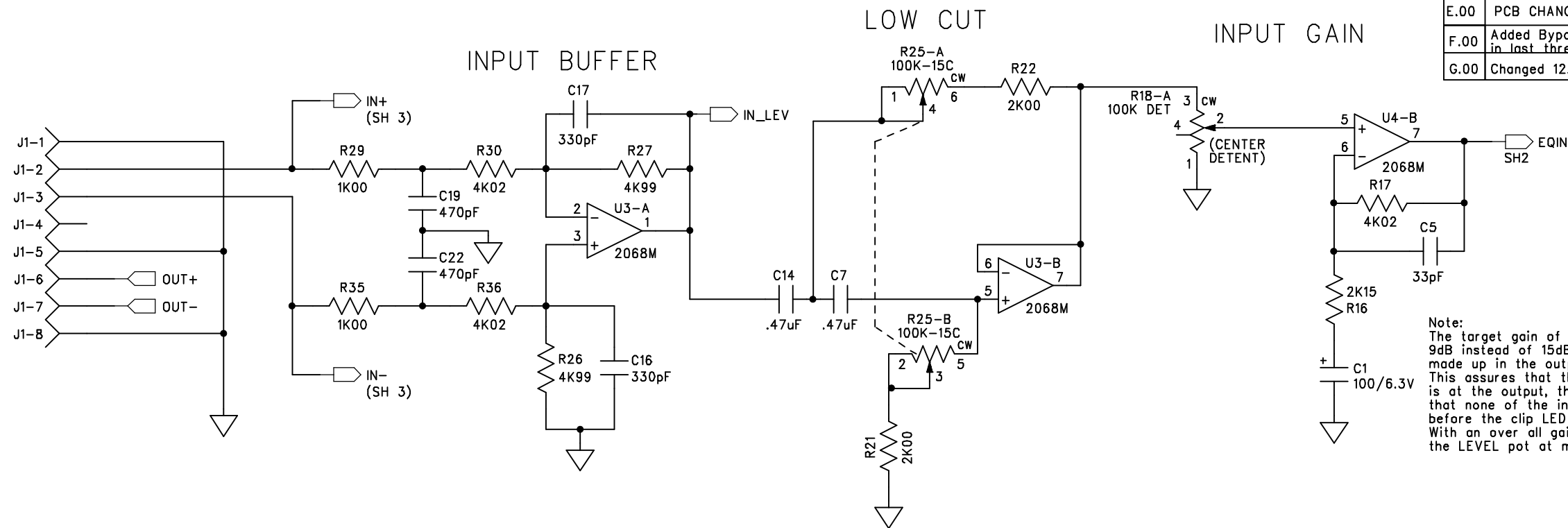
2

1

REVISION RECORD

REV	REVISIONS DONE OR ECO NUMBER:	DATE:
A.00	CHANGED SOME OP-AMPS TO LF353. RLS TO PROD.	10/30/96
B.00	Reversed connections to J8 (sh 7)	11/15/97
B.10	4 ECN's DTD 3/21/97, 3/25/97, 3/27/97	3/27/97
C.00	ADD RELAY BYPASS TO TOGGLE SWITCH.	6/11/97
D.00	ADD DC BLOCKING CAP FOR EACH FILTER	9/30/97
E.00	PCB CHANGE ONLY, MOSTLY SILK SCRNB	1/21/98
F.00	Added Bypass caps, Changed impedance levels in last three filters.	7-7-00
G.00	Changed 12.5k filter, added delay to relay	7-31-00

(RIBBON CABLE TO GIO-2 PCB)



Note:  
 The target gain of this stage is 9dB instead of 15dB. The remainder is made up in the output stage. This assures that the highest output level is at the output, thereby making sure that none of the internal stages can clip before the clip LED comes on. With an over all gain of 15dB, the gain with the LEVEL pot at mid is about 0dB (differential output)

NOTE: THIS ASSY USED ON 531E, 532E & 533E

FINISHED PCB: 70531E1D00  
 FILE NAME: 531E1D00  
 FINISHED TOP ASSY: 80531  
 OR: 80532  
 OR: 80533

COMPANY:		<b>SYMETRIX INC.</b>	
		14926 35th Avenue West Lynnwood, WA 98037-2303 USA	
TITLE:		531/532/533 GRAPHIC EQUALIZER	REV: G.00
DRAWING NO:		52 531E D	SHEET: 1 OF 7

DRAWN:	R B	DATED:	6/28/96
RELEASED:		DATED:	

D

D

C

C

B

B

A

A

6

5

4

3

2

1

D

D

C

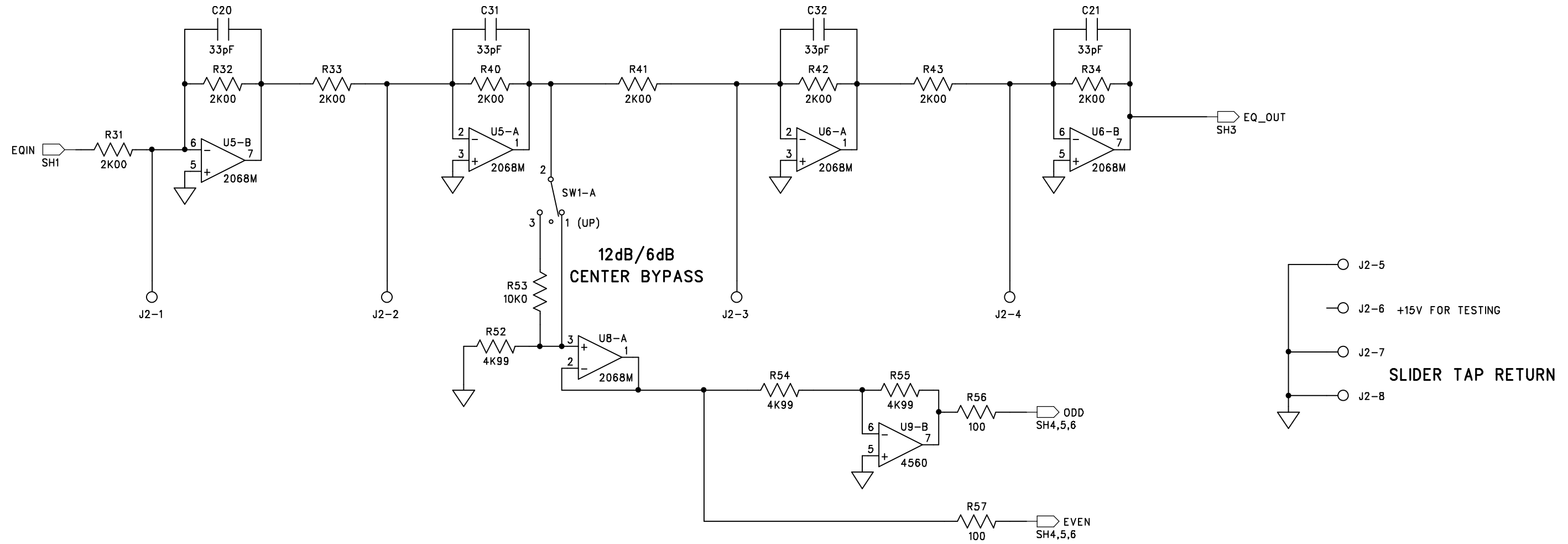
C

B

B

A

A



12dB/6dB  
CENTER BYPASS

SLIDER TAP RETURN

COMPANY:		<b>SYMETRIX INC.</b>	
		14926 35th Avenue West Lynnwood, WA 98037-2303 USA	
TITLE:		531/532 - FILTER DRIVERS	REV: G.00
DRAWING NO:		52 531E 1	SHEET: 2 OF 7

DRAWN:	<b>R B</b>	DATED:	<b>6/28/96</b>
RELEASED:		DATED:	



6

5

4

3

2

1

D

D

C

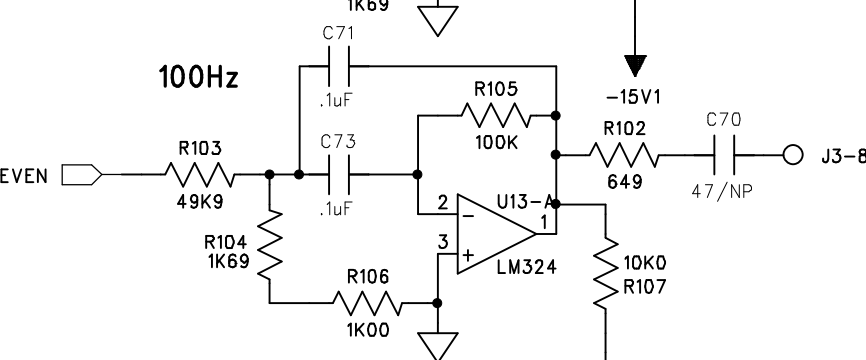
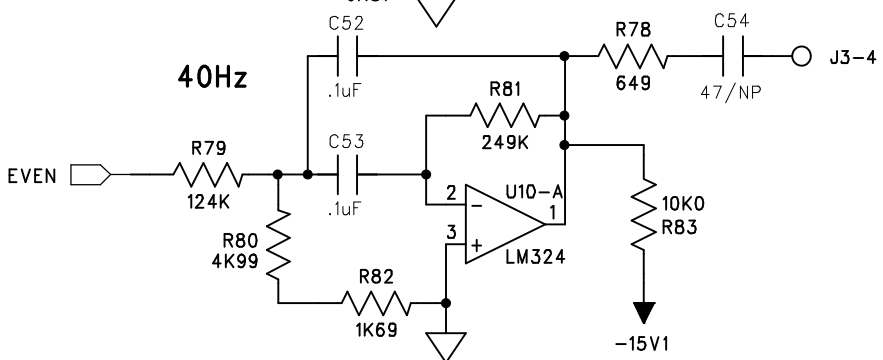
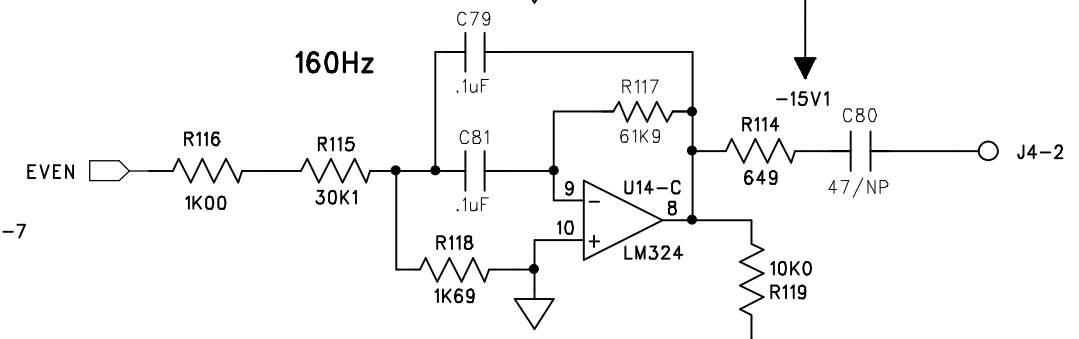
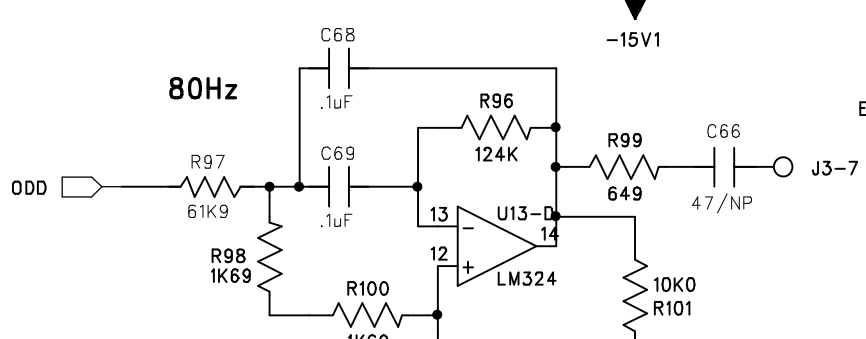
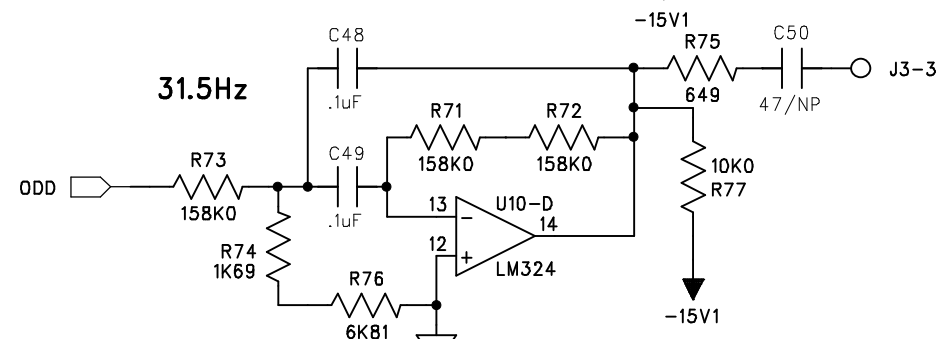
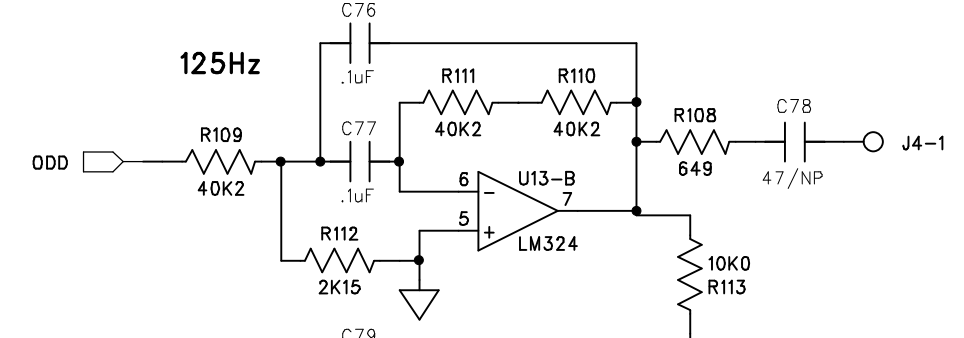
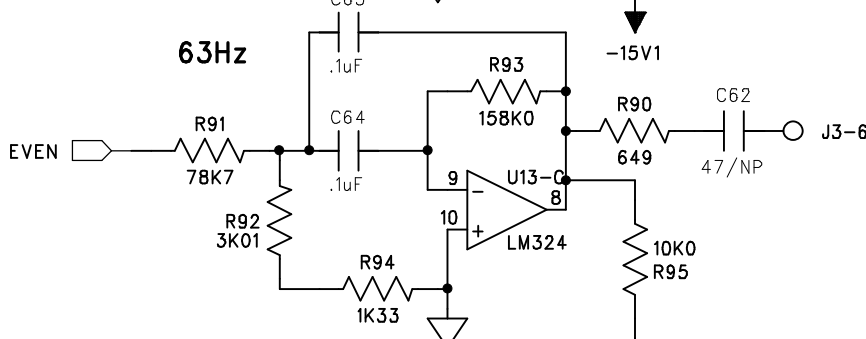
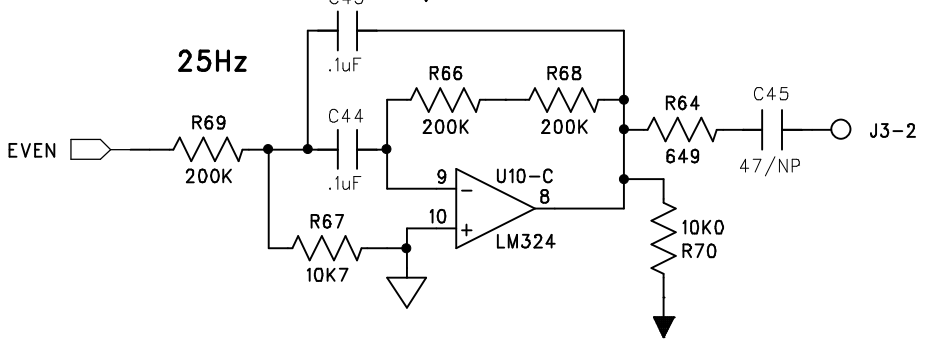
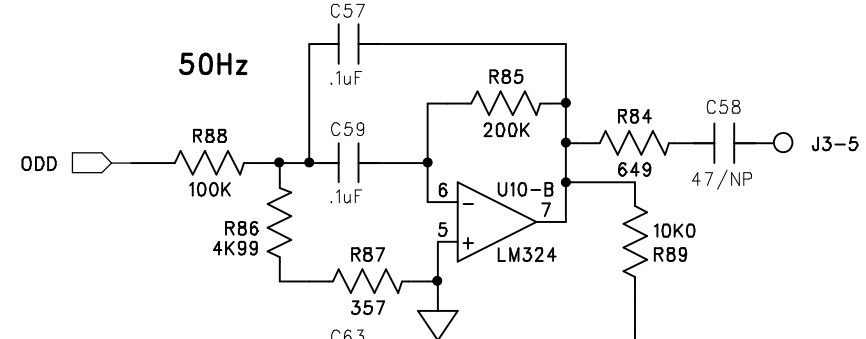
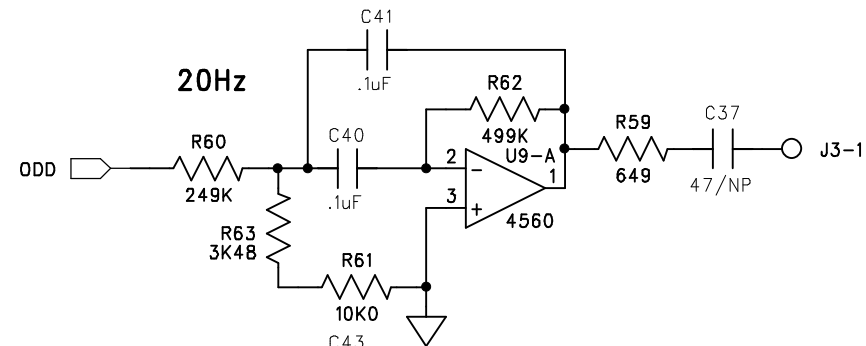
C

B

B

A

A



COMPANY:		<b>SYMETRIX INC.</b>	
		14926 35th Avenue West	
		Lynnwood, WA 98037-2303 USA	
TITLE:		531/532 MIDDLE DECADE FILTER	REV: G.00
DRAWING NO:		52 531E 1	SHEET: 4 OF 7

DRAWN:	<b>R B</b>	DATED:	<b>6/28/96</b>
RELEASED:		DATED:	

6

5

4

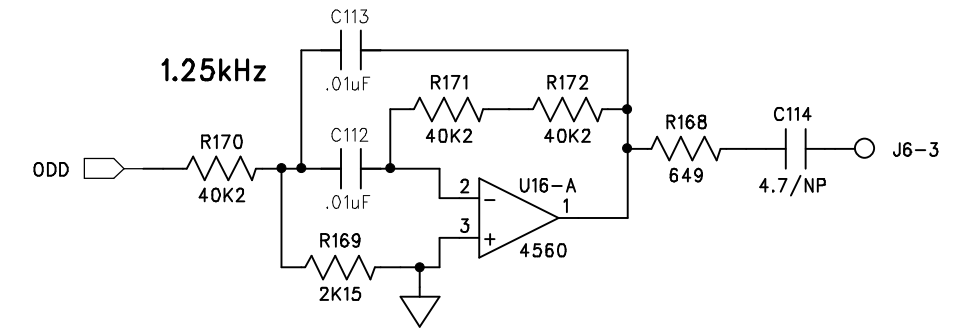
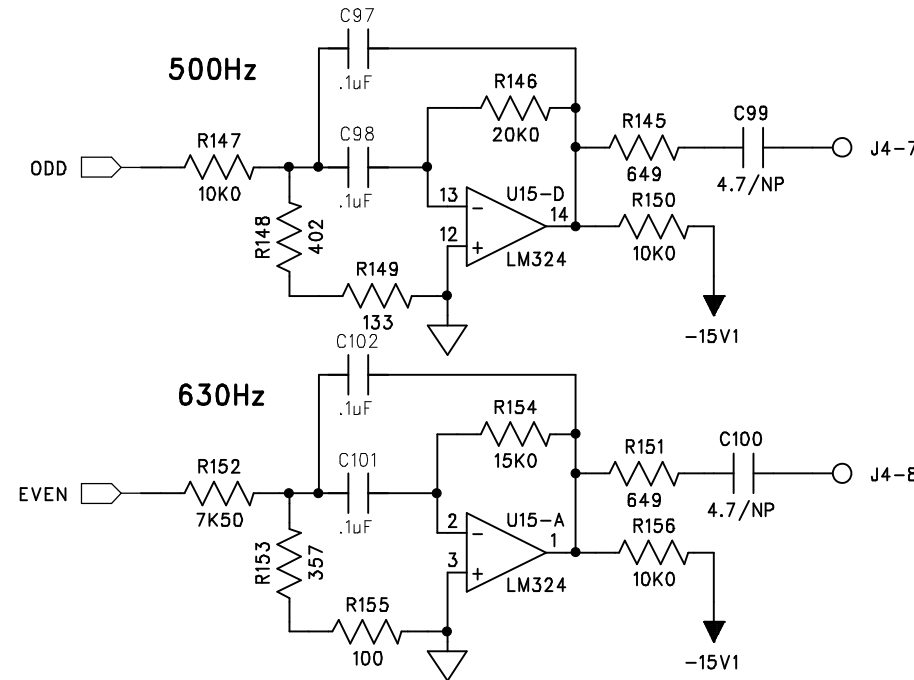
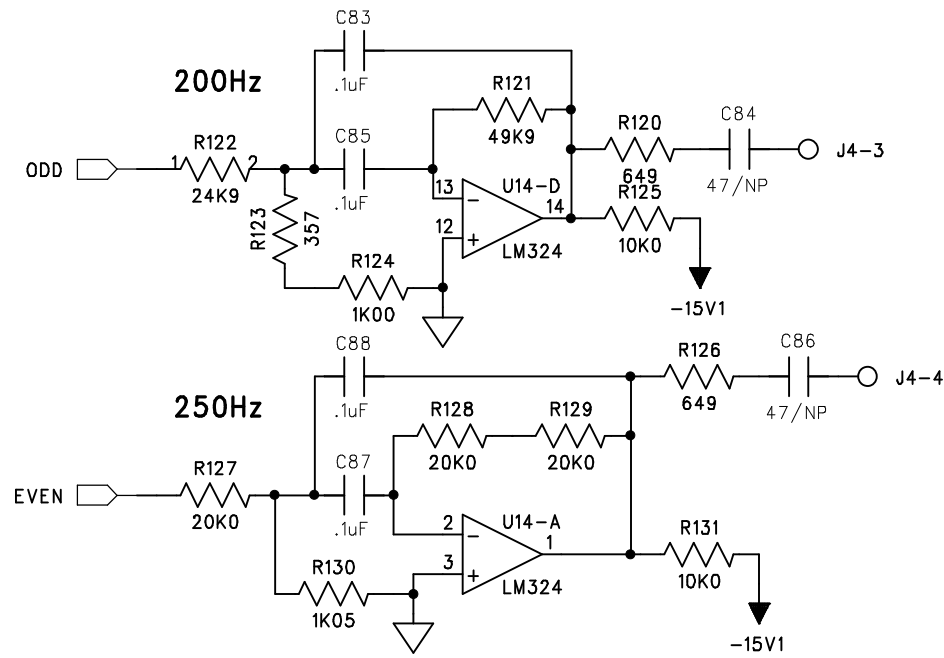
3

2

1

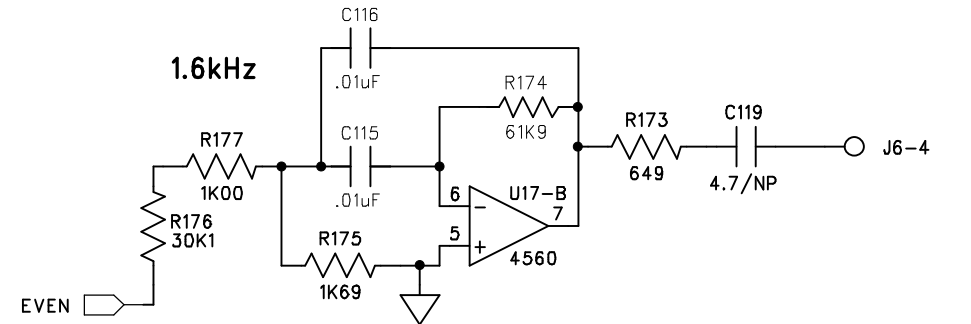
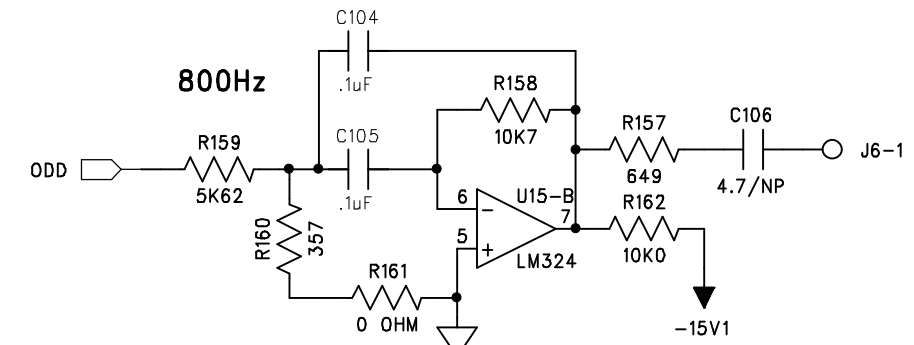
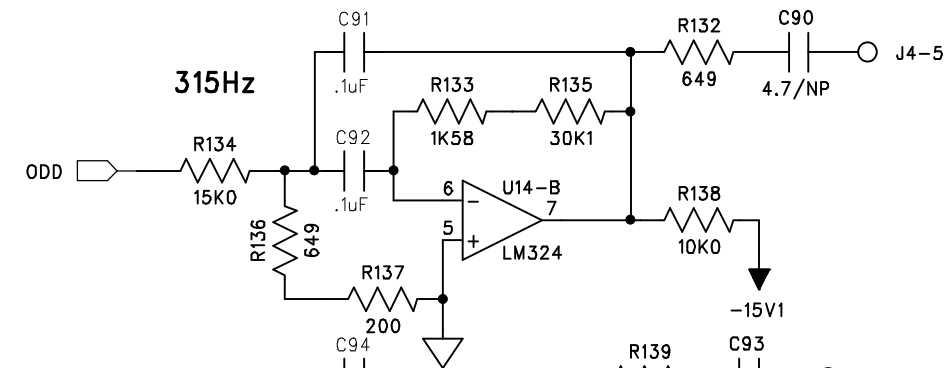
D

D



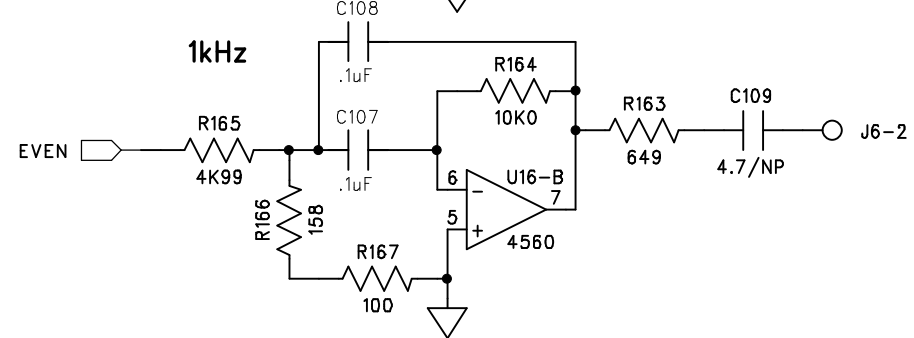
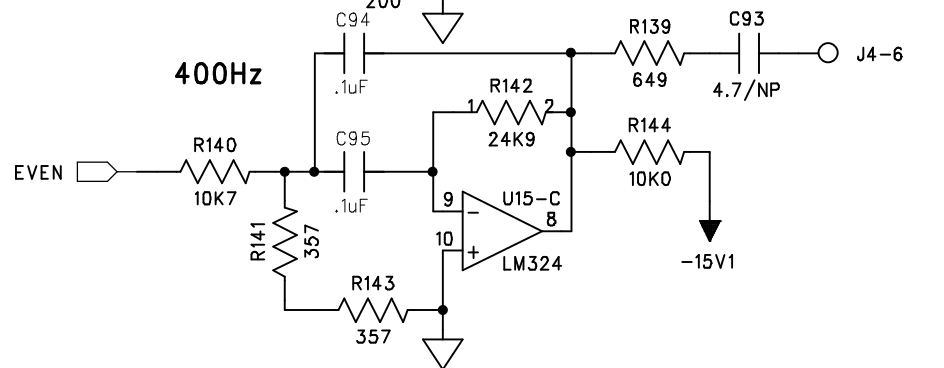
C

C



B

B



A

A

COMPANY:		<b>SYMETRIX INC.</b>	
		14926 35th Avenue West	
		Lynnwood, WA 98037-2303 USA	
TITLE:	531/532 MIDDLE DECADE FILTER		REV: G.00
DRAWING NO:	52 531E 1		SHEET: 5 OF 7

DRAWN:	<b>R B</b>	DATED:	<b>6/28/96</b>
RELEASED:		DATED:	

6

5

4

3

2

1

D

D

C

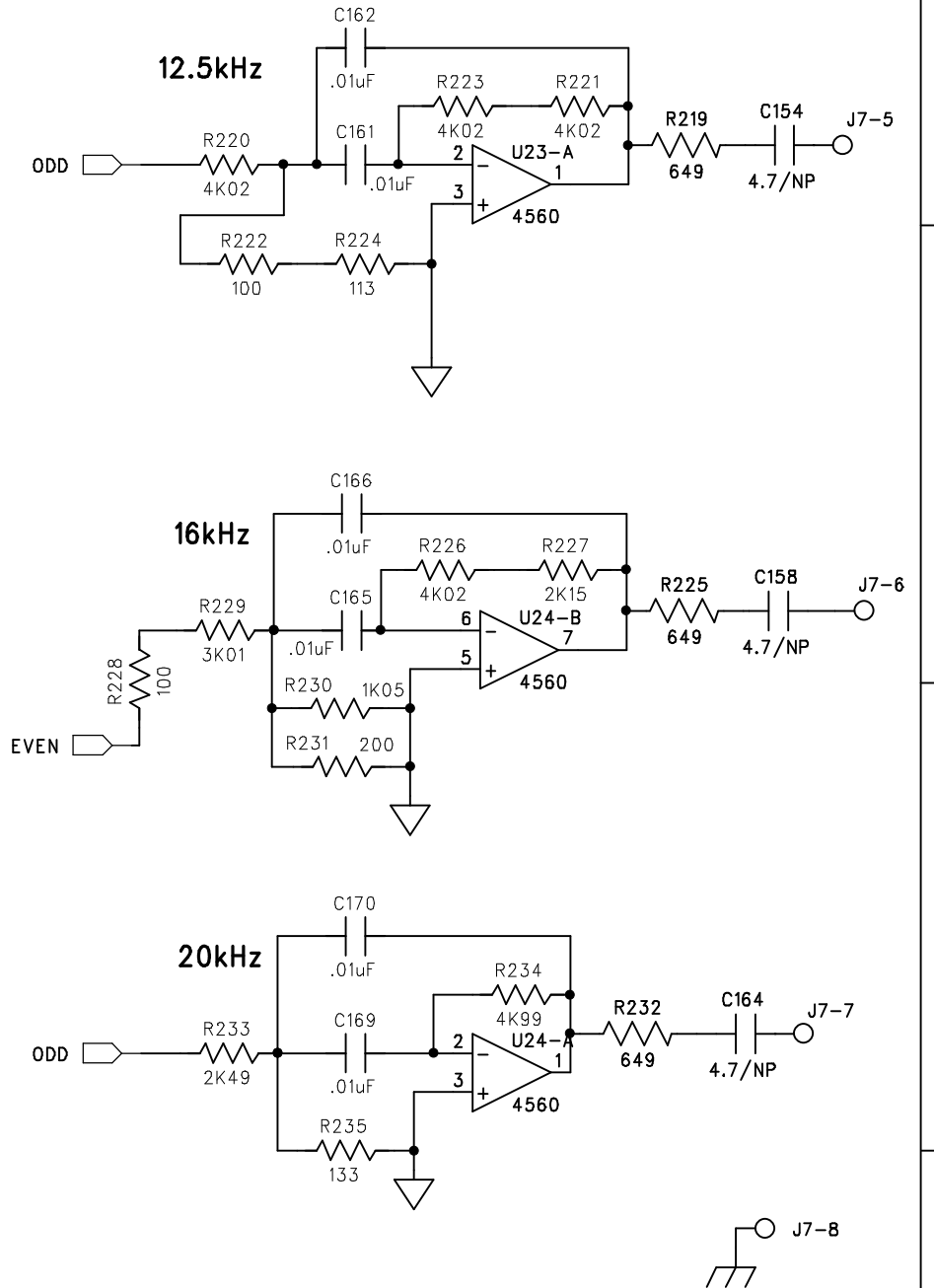
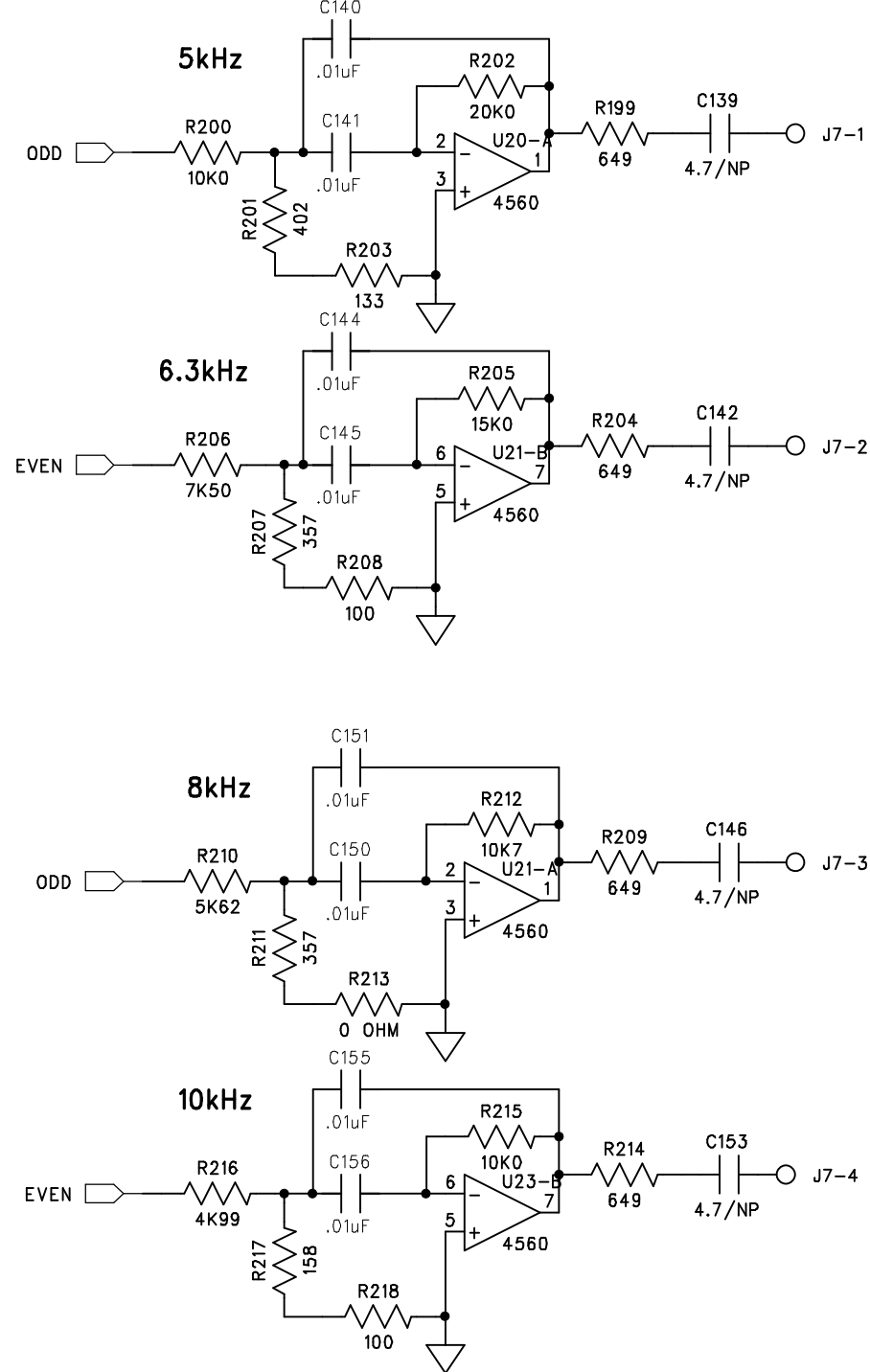
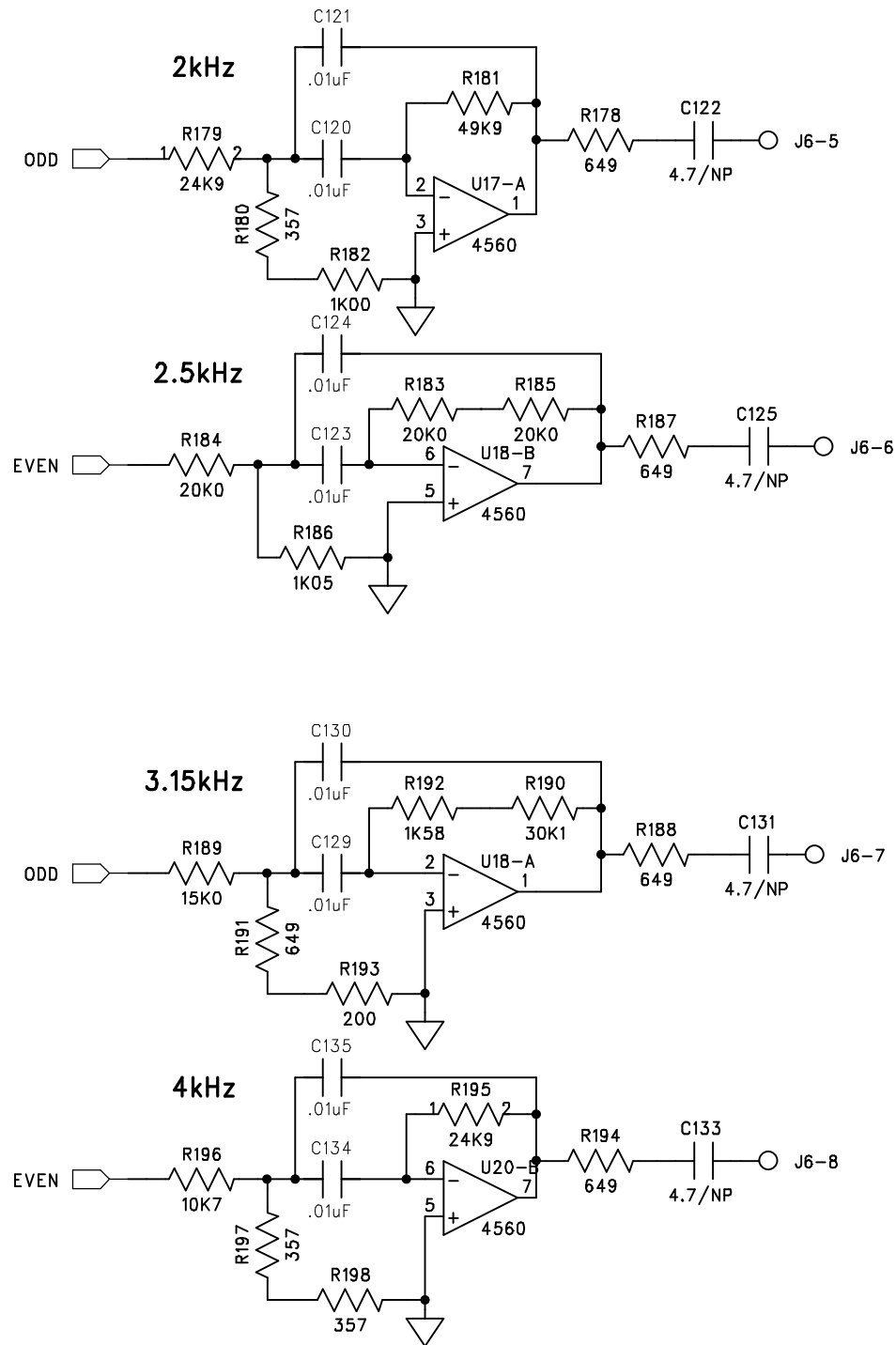
C

B

B

A

A



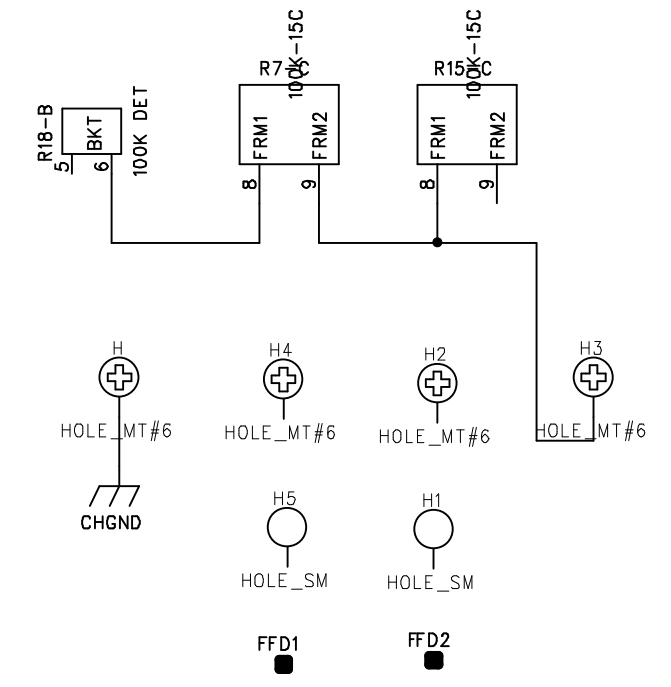
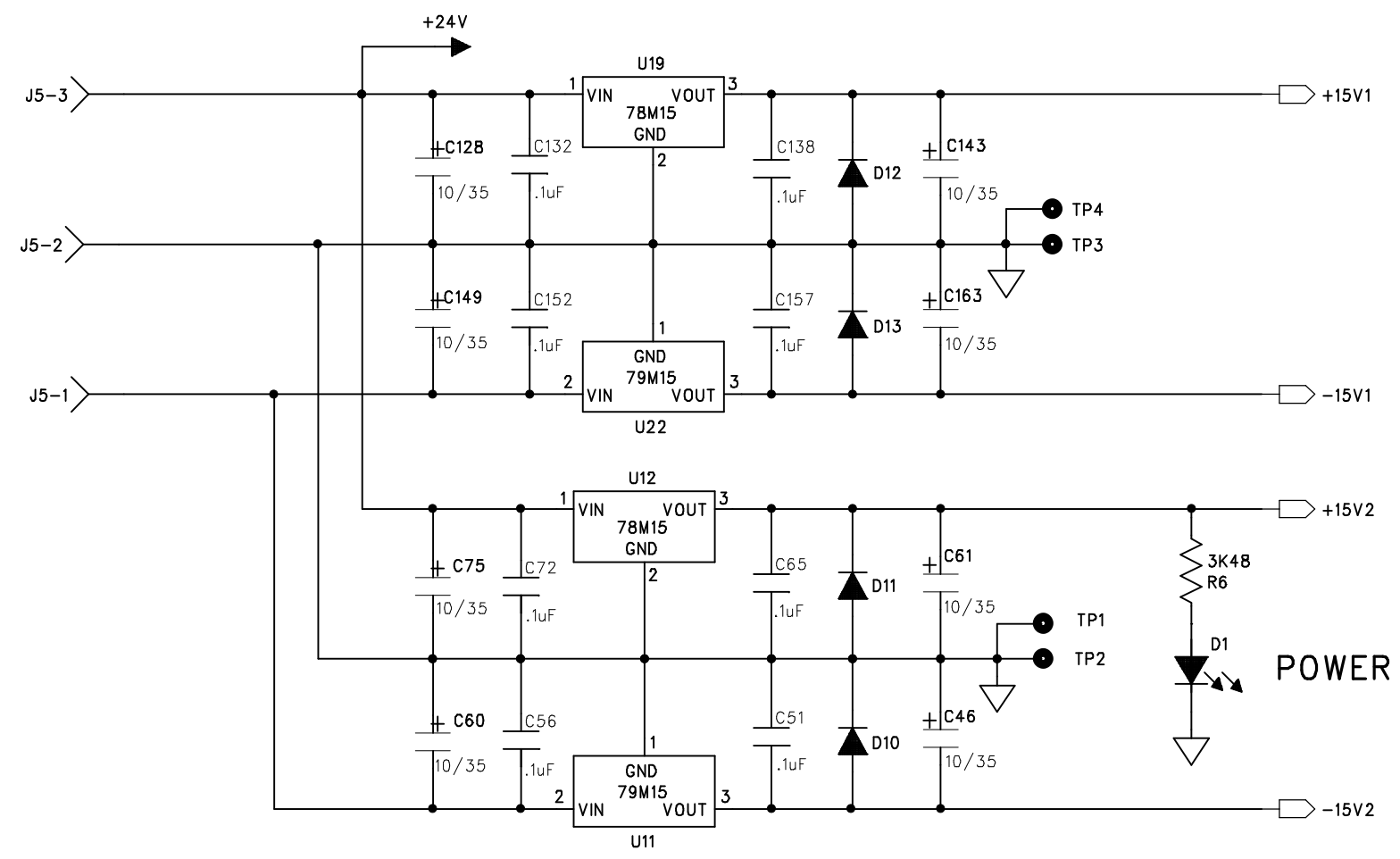
COMPANY:		<b>SYMETRIX INC.</b>	
		14926 35th Avenue West	
		Lynnwood, WA 98037-2303 USA	
TITLE:		531/532 HIGH DECADE FILTER	REV: G.00
DRAWING NO:		52 531E 1	SHEET: 6 OF 7

DRAWN:	R B	DATED:	6/28/96
RELEASED:		DATED:	

6 5 4 3 2 1

D

PIG TAIL PLUS CONNECTOR



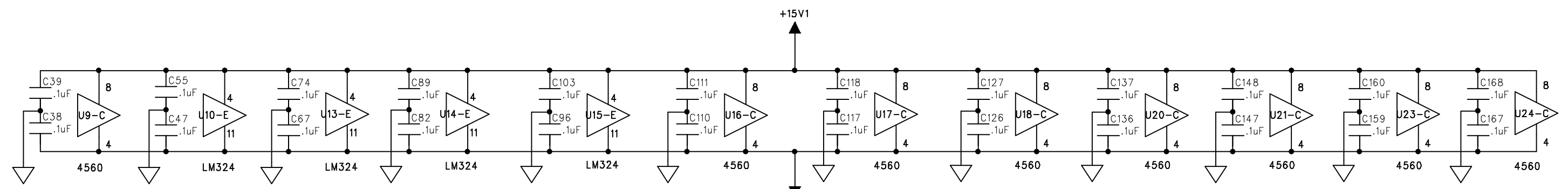
D

C

POWER

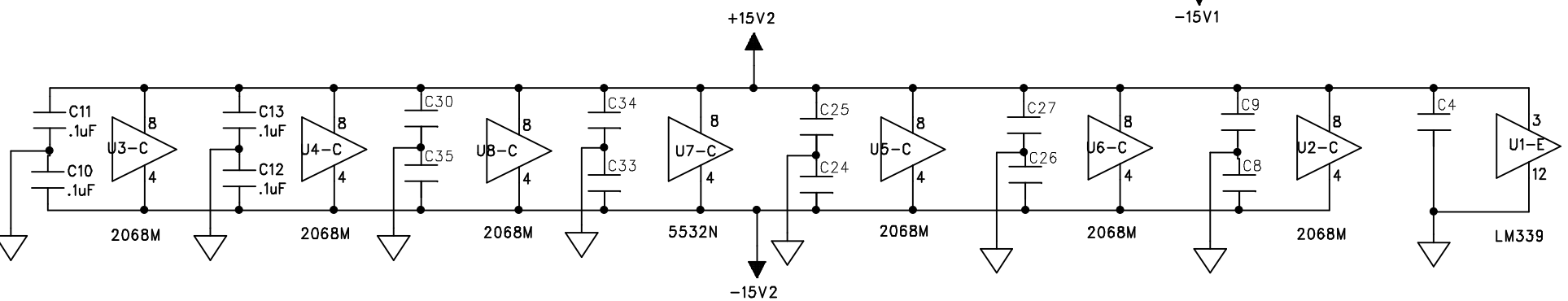
C

B



B

A



A

COMPANY:		<b>SYMETRIX INC.</b>	
		14926 35th Avenue West	
		Lynnwood, WA 98037-2303 USA	
TITLE:		531/532 POWER	REV: G.00
DRAWING NO:		52 531E 1	SHEET: 7 OF 7

DRAWN:	R B	DATED:	6/28/96
RELEASED:		DATED:	