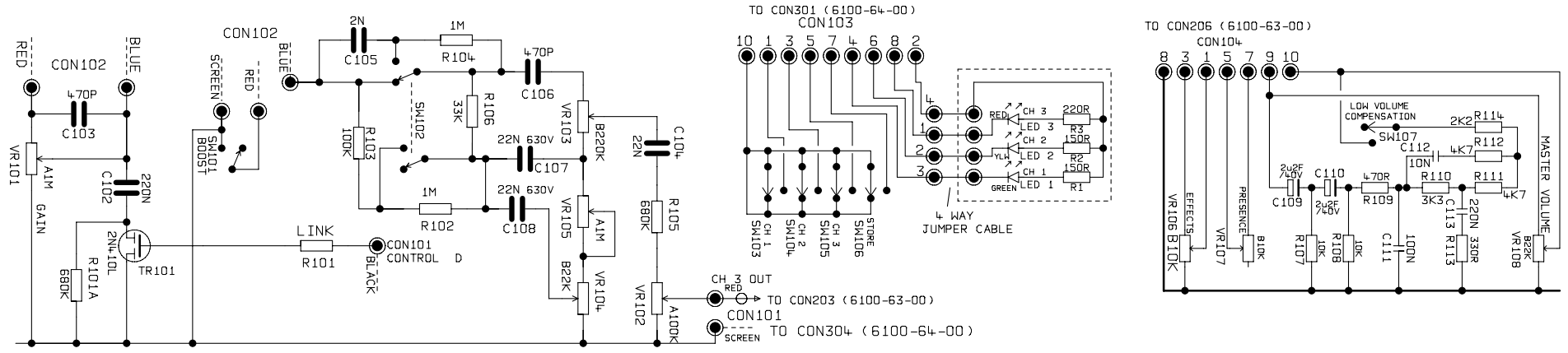
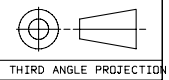


DWG.No. 6100-62-04

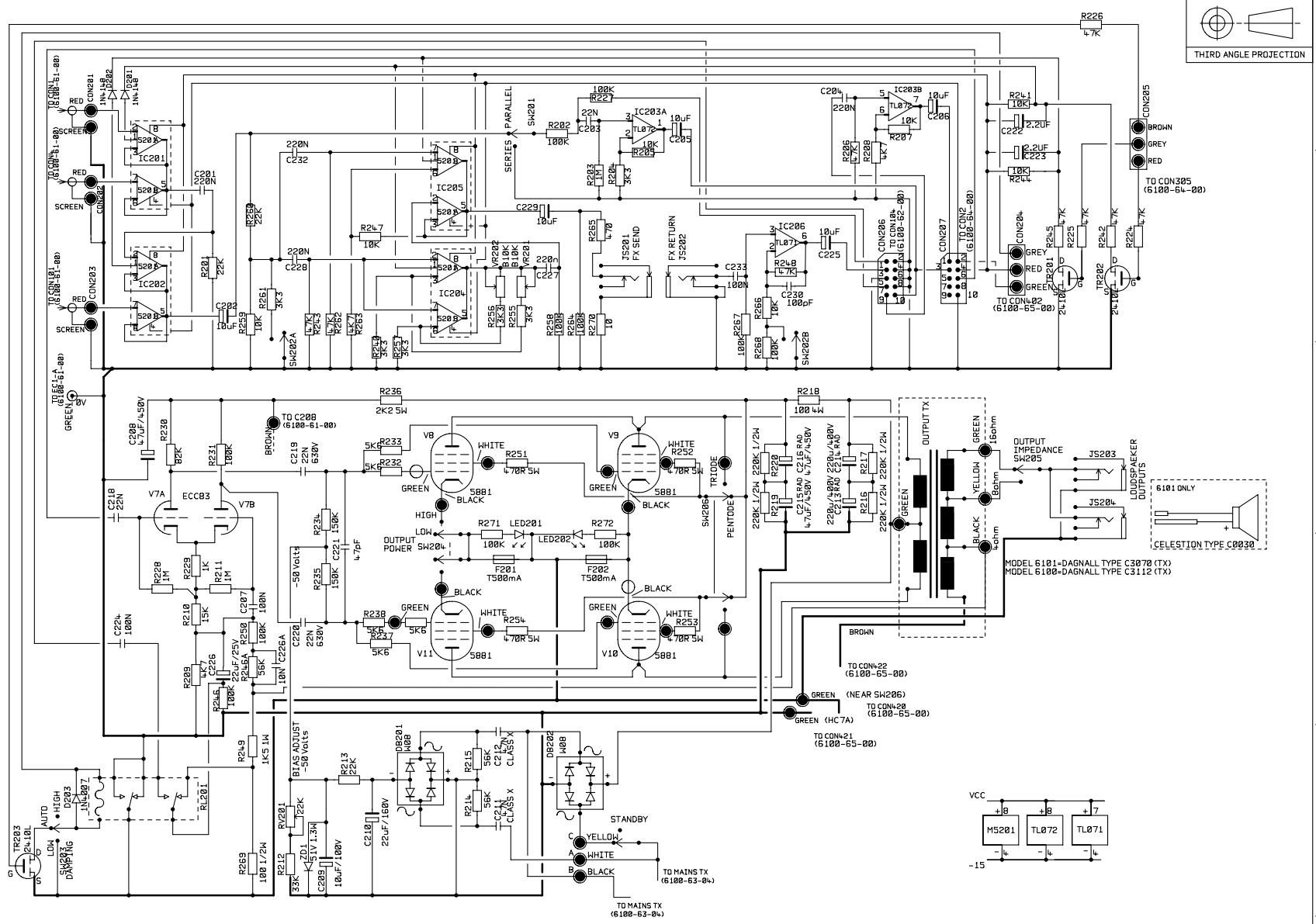
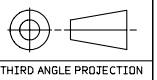


UNSPECIFIED HOLE DATA				MATERIAL		DIMENSIONS IN		TITLE	
			A		MATERIAL THICKNESS	TOLERANCE (UNLESS OTHERWISE STATED)		LEAD/MASTER CCT	
			B		INTERNAL BEND RADIUS	DIMENSIONAL		A3	
			C		EXTERNAL B/A	CENTRES		DWG.No	
			D		BEND DIE	ANGULAR		6100-62-04	
3	0601	08-06-94	E		DRAWN T.F	DATE 15/05/92	MODEL		ISSUE
2	0282	28-10-93	F		CHECKED	DATE	6100/6101		3
ISS	ECD NUMBER	DATE	G		APPROVED	DATE			

Marshall

COPYRIGHT EXISTS ON THIS DOCUMENT. IT MUST NOT BE USED FOR ANY PURPOSE THAN THAT FOR WHICH IT IS SUPPLIED AND MUST NOT BE COPIED IN WHOLE OR IN PART WITHOUT WRITTEN PERMISSION FROM
 © JIM MARSHALL (PRODUCTS) LTD.
 DENBIGH ROAD, BLUCHLEY, MILTON KEYNES, MK1 1DR.
 TEL (0508)375411 FAX (0508)376118

DWG.No. 6100-63-04



NOTE 1 - ADJUST BIAS TO -50Volts
(NO SIGNAL CONDITION)

FOR USA ONLY
SET BIAS TO -4.2 VOLTS
MAINS SUPPLY=117V/60Hz
(NO SIGNAL CONDITION)

ZD1 NOT FITTED
R212 = 15K

UNSPECIFIED HOLE DATA

ISS	ECO NUMBER	DATE	A	B	C	D	E	F	G	H
10	0863	14/03/95	A							
9	0715	10/11/94	B							
8	0674	11/07/94	C							
7	0436	26/10/93	D							
6	0441	19/10/93	E							
5	0435	15/10/93	F							
			G							
			N							
			Z							

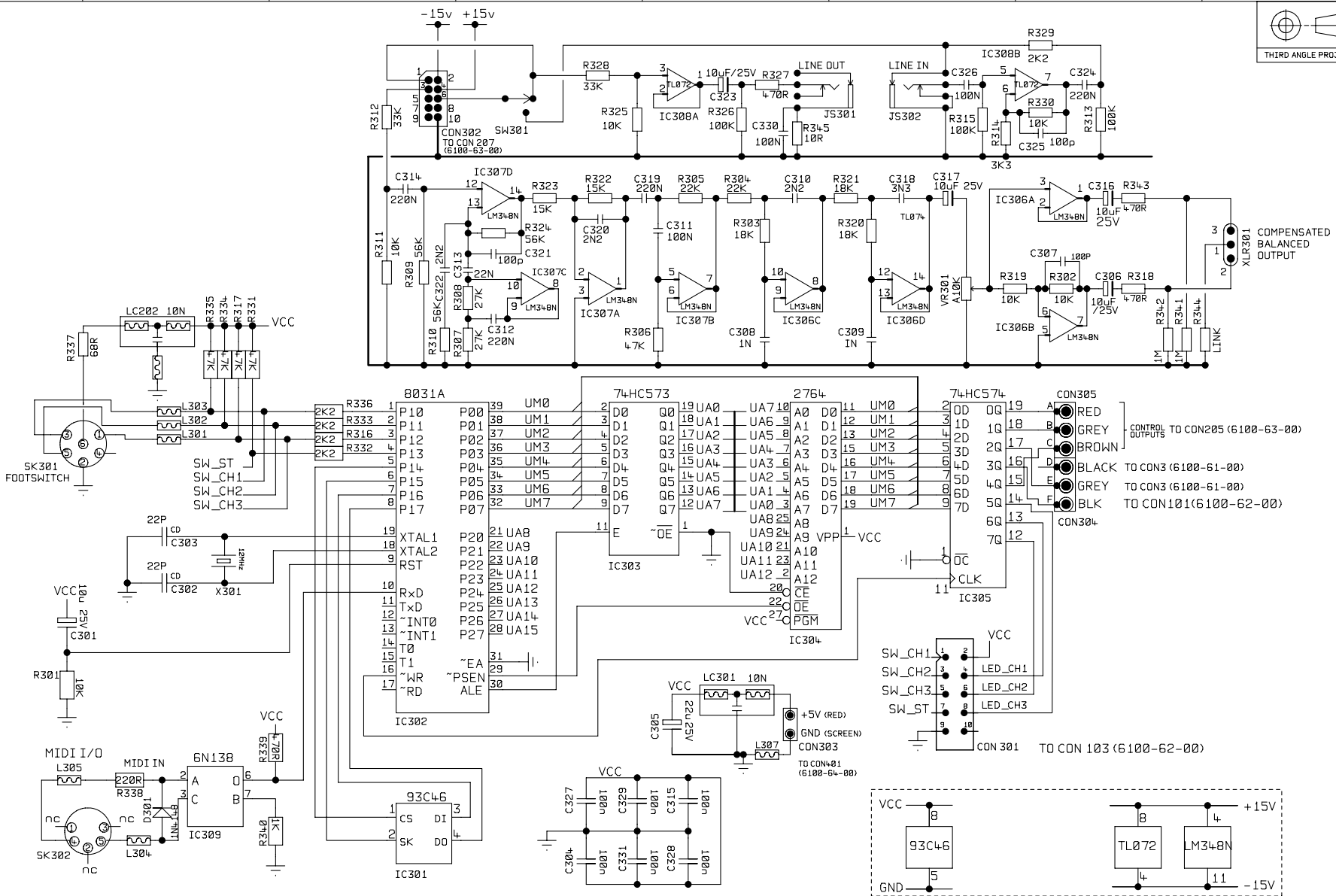
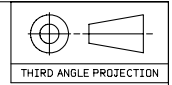
MATERIAL	
MATERIAL THICKNESS	
INTERNAL BEND RADII	
EXTERNAL B/A	
BEND DIE	
DRAWN	T.F
DATE	15/05/92
CHECKED	
DATE	
APPROVED	
DATE	

DIMENSIONS IN	
TOLERANCE (UNLESS OTHERWISE STATED)	
DIMENSIONAL	
CENTRES	
ANGULAR	
MODEL	6100/6101

Marshall
 COPYRIGHT EXISTS ON THIS DOCUMENT. IT MUST NOT BE USED FOR ANY PURPOSE
 THAN THAT FOR WHICH IT IS SUPPLIED AND MUST NOT BE COPIED (IN WHOLE
 OR IN PART) WITHOUT WRITTEN PERMISSION FROM
 MARSHALL AMPLIFICATION PLC.
 DENBIGH ROAD, BLETCHLEY, MILTON KEYNES, MK1 1DP.
 TEL (0908)375411 FAX (0908)376118

TITLE	POWER AMP CCT
DWG.No	6100-63-04
ISSUE	10

DWG.No.6100-64-04



3	0303	02/02/93
2	0249	15/07/92
1	RELEASED	07/12/91
ISS	ECO NUMBER	DATE

UNSPECIFIED HOLE DATA	
A	H
B	J
C	K
D	L
E	M
F	N
G	P

MATERIAL	
MATERIAL THICKNESS	
INTERNAL BEND RADIUS	
EXTERNAL B/A	
BEND DIE	
DRAWN T,F	DATE 07/12/91
CHECKED	DATE
APPROVED	DATE

DIMENSIONS IN	
TOLERANCE (UNLESS OTHERWISE STATED)	
DIMENSIONAL	
CENTRES	
ANGULAR	
MODEL	6100/6101

Marshall

COPYRIGHT EXISTS ON THIS DOCUMENT. IT MUST NOT BE USED FOR ANY PURPOSE THAN THAT FOR WHICH IT IS SUPPLIED AND MUST NOT BE COPIED OR IN PARTY REPRODUCED WITHOUT PERMISSION FROM:

© JIM MARSHALL (PRODUCTS) LTD.
DENBIGH ROAD, BLETCHLEY, MILTON KEYNES, MK1 1DG.
TEL: (0580)375411 FAX: (0580)375118

TITLE	
MIDI CCT	
DWG.No	6100-64-04
ISSUE	3

A3

