

FENDER MODEL

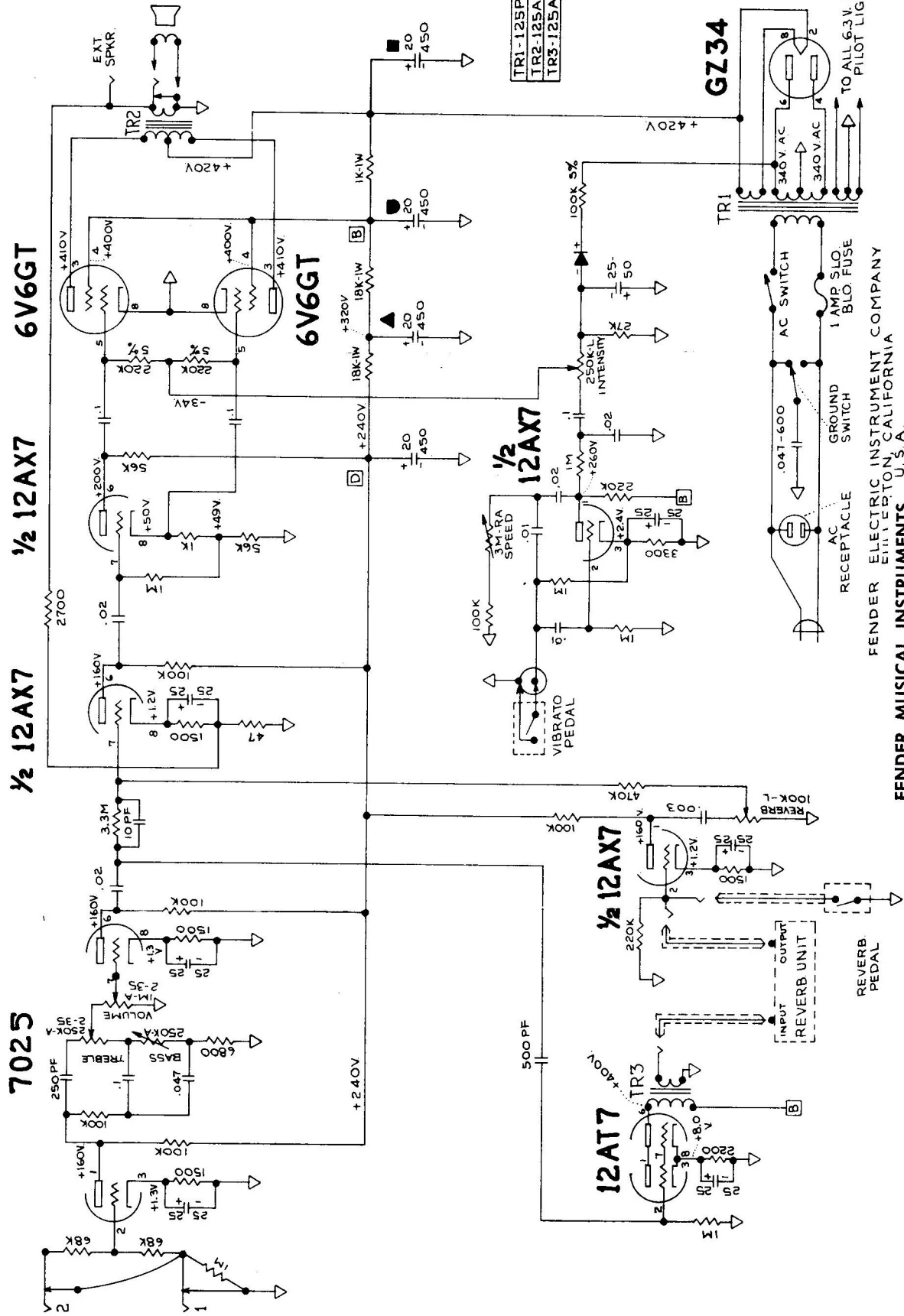
"PRINCETON REVERB-AMP AA1164" SCHEMATIC NOTICE

INSTRUMENTS

THIS PRODUCT MANUFACTURED UNDER ONE OR MORE OF THE FOLLOWING U.S. PATENTS - #2817708, 2973681, 192859 PATENTS PENDING.

1. VOLTAGES READ TO GROUND WITH ELECTRONIC VOLTMETER. VALUES SHOWN + OR - 20%.
2. ALL RESISTORS 1/2 WATT 10% TOLERANCE IF NOT SPECIFIED.
3. ALL CAPACITORS AT LEAST 400 VOLT RATING IF NOT SPECIFIED.

K-FD



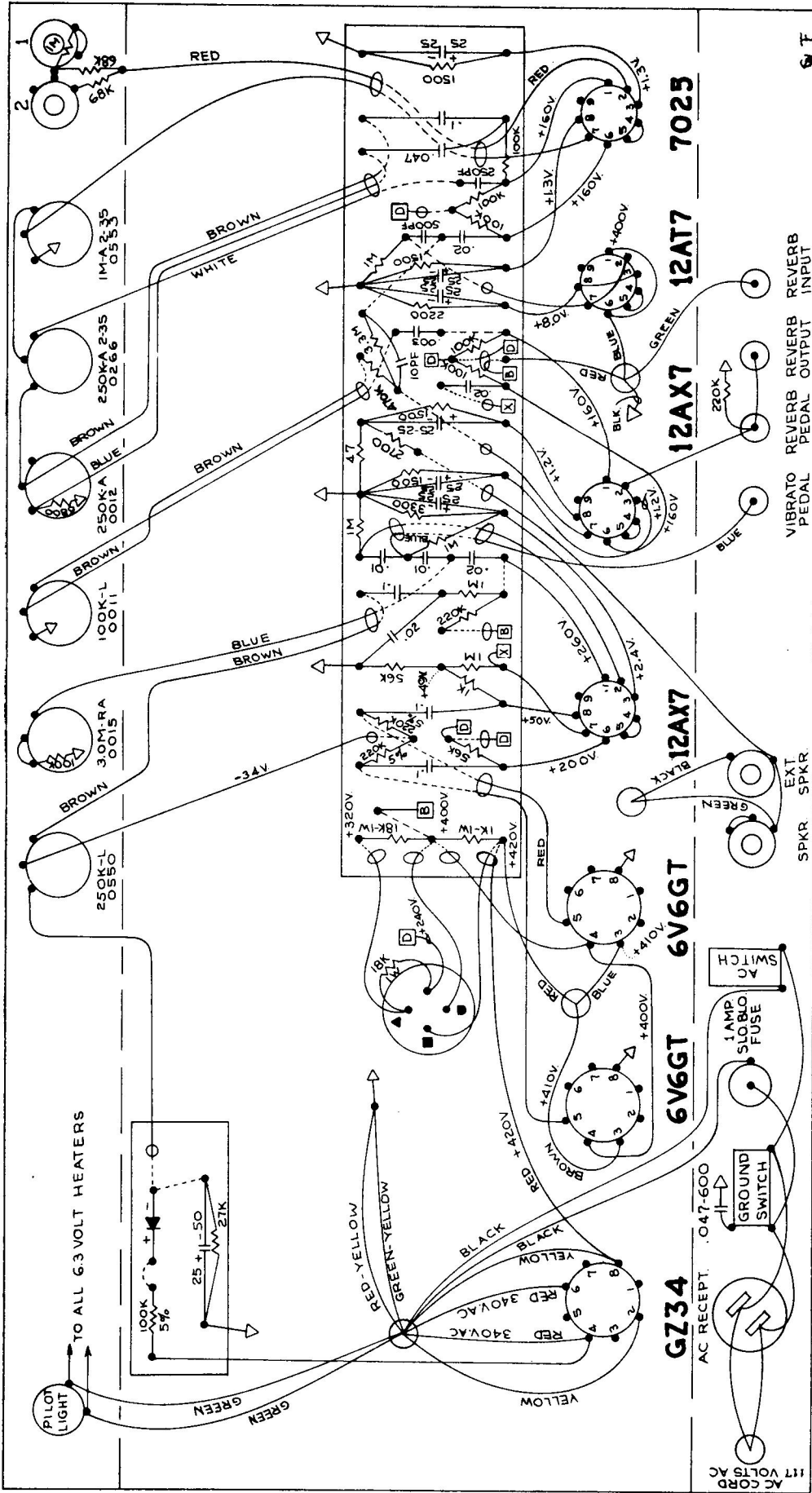
FENDER MUSICAL INSTRUMENTS U.S.A.
 A DIVISION OF COLUMBIA RECORDS DISTRIBUTION CORP.
 FENDER ELECTRIC INSTRUMENT COMPANY
 FULLERTON, CALIFORNIA
 SANTA ANA, CALIFORNIA
 U.S.A.

FENDER "PRINCETON REVERB-AMP AA1164" LAYOUT NOTICE

VOLTAGES READ TO GROUND WITH ELECTRONIC VOLTMEETER. VALUES SHOWN \pm OR - 20%.

K-F-D

INTENSITY SPEED REVERB BASS TREBLE VOLUME INSTRUMENTS



NOTE: ALL RESISTORS 1/2 WATT 10% TOLERANCE, IF NOT SPECIFIED. NOTE: ALL CAPACITORS AT LEAST 400 VOLT RATING IF NOT SPECIFIED.

FENDER MUSICAL INSTRUMENTS
A DIVISION OF COLUMBIA RECORDS DISTRIBUTION CORP.
SANTA ANA, CALIFORNIA
U.S.A.