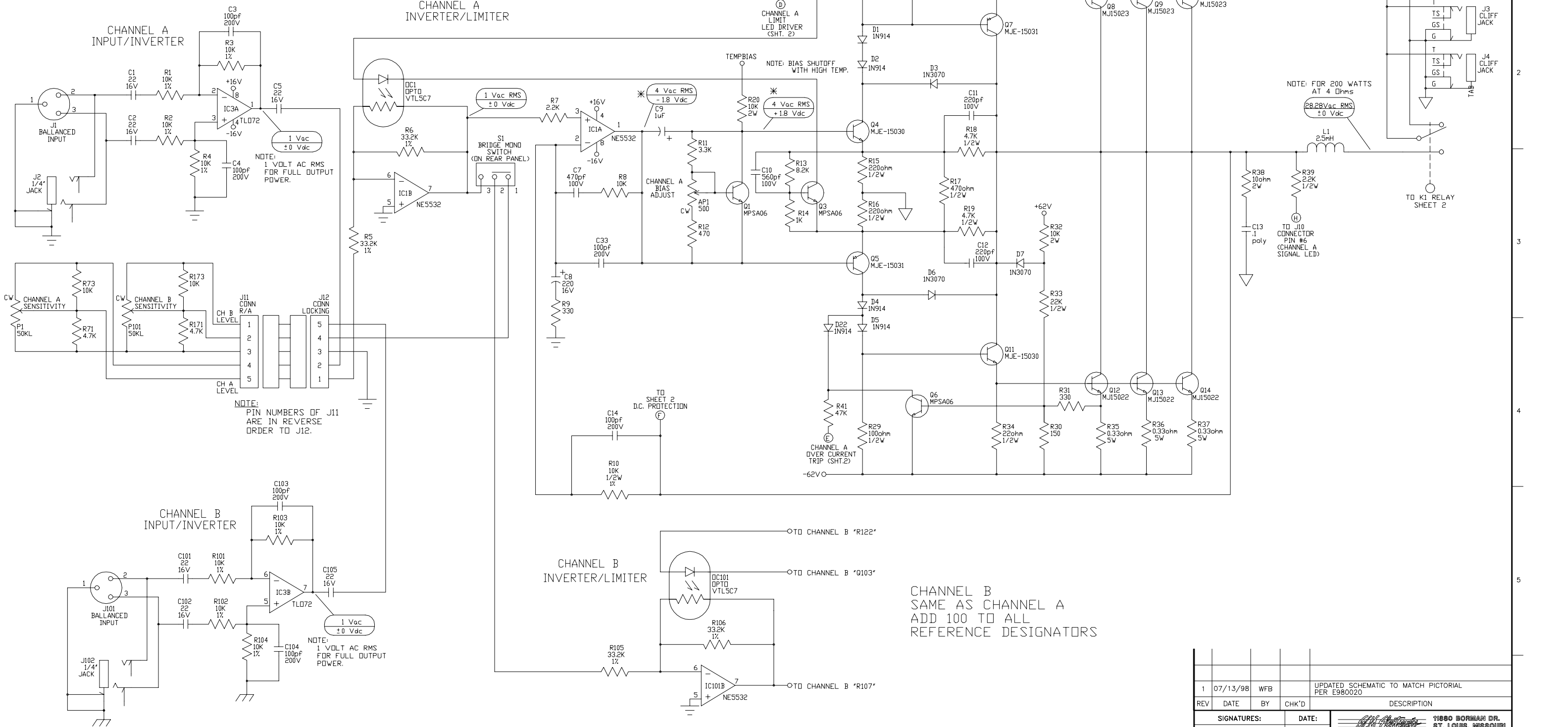


**NOTES**

- 1) CAUTION: SHOCK HAZARD!!  
THIS UNIT CONTAINS HAZARDOUS VOLTAGE. DISCONNECT POWER AND BE SURE POWER SUPPLY IS DISCHARGED BEFORE TOUCHING INTERNAL PARTS.
- 2) UNLESS NOTED, RESISTOR VALUES IN OHMS, 1/4W-5% TOL. CAPACITOR VALUES IN MICROFARADS, 50V-10% TOL.
- 3) VOLTAGES ARE MEASURED WITH 1 MEGOHM OSCILLOSCOPE AND 10 MEGOHM DIGITAL VOLTMETER.
- 4) CHASSIS GROUND  $\equiv$  SWITCH GROUND  $\nabla$  CIRCUIT GROUND  $\perp$

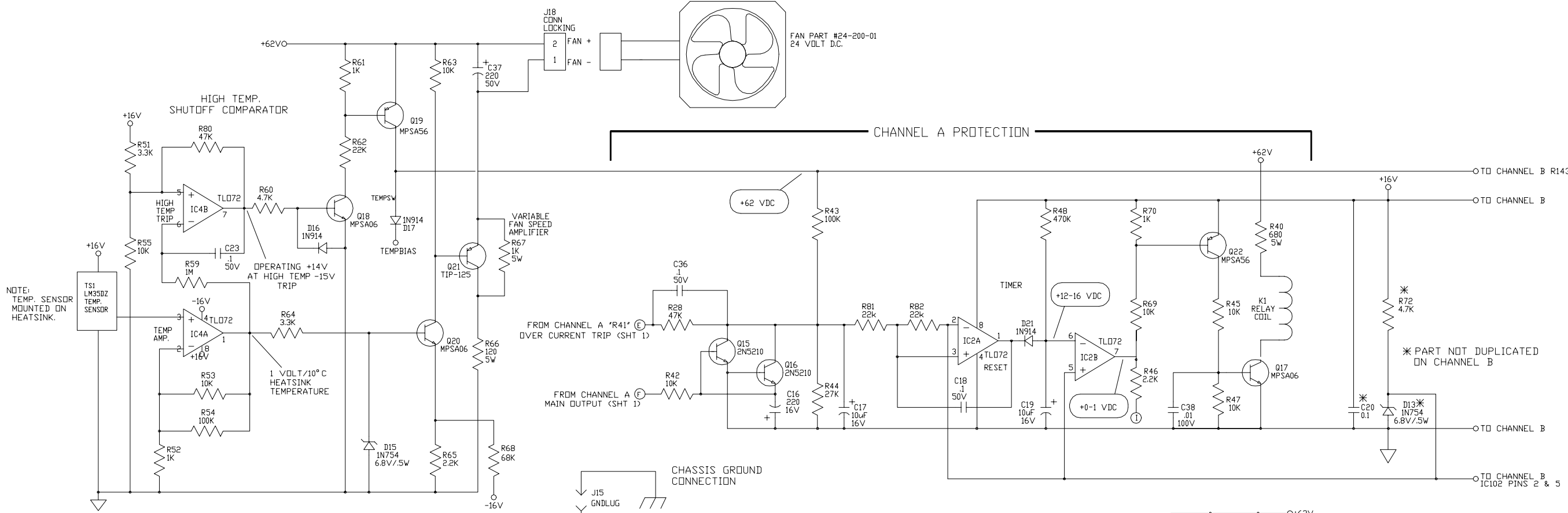
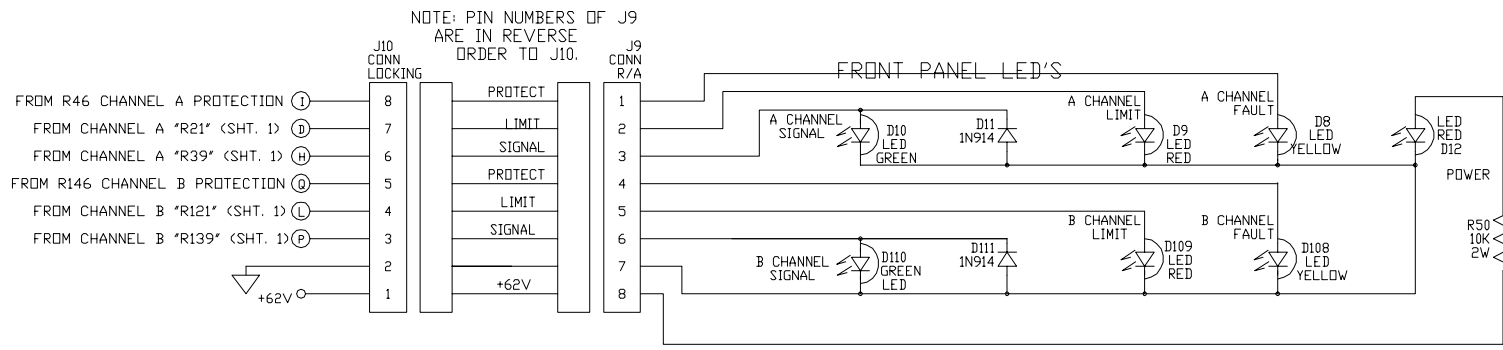
\*NOTE:  
AC VALUES WILL CHANGE WITH LOAD, FREQUENCY AND OUTPUT TRANSISTOR GAIN.  
DC VALUES WILL CHANGE WITH IDLE CURRENT AND OUTPUT TRANSISTOR GAIN.  
DC VALUES SHOULD BE CLOSE TO SYMMETRICAL WITH RESPECT TO ZERO VOLTS IF UNIT IS WORKING PROPERLY.



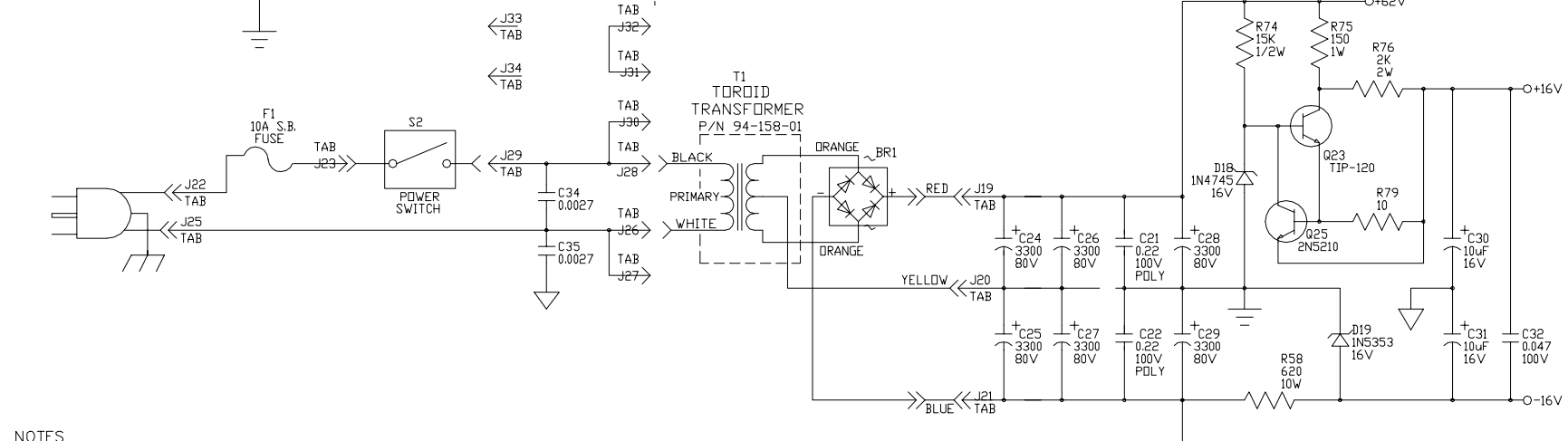
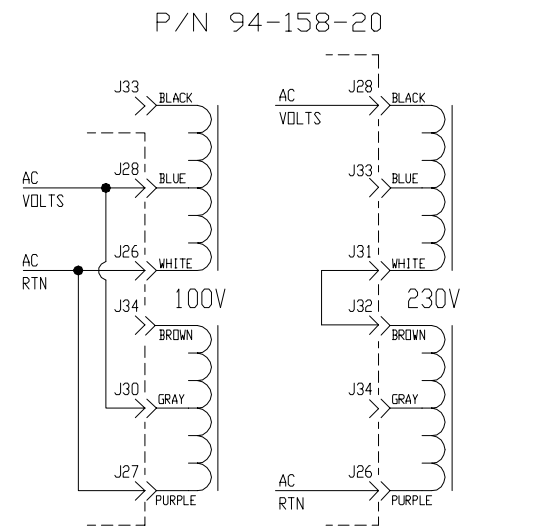
CHANNEL B  
SAME AS CHANNEL A  
ADD 100 TO ALL  
REFERENCE DESIGNATORS

**CAUTION:**  
THIS SCHEMATIC IS PROVIDED FOR USE BY QUALIFIED PERSONNEL.  
TO AVOID RISK OF ELECTRIC SHOCK, REFER SERVICING TO QUALIFIED SERVICE PERSONNEL. DO NOT PERFORM ANY SERVICING BEYOND THAT EXPLAINED IN THE OPERATING INSTRUCTIONS.

1	07/13/98	WFB		UPDATED SCHEMATIC TO MATCH PICTORIAL PER E980020
REV	DATE	BY	CHK'D	DESCRIPTION
SIGNATURES:		DATE:	1180 BORMAN DR. ST. LOUIS, MISSOURI 63146	
DRAWN: S.RADER		4/23/92	PROJECT NAME: RMA-800	
CHK'D:		DRAWING NAME: CHANNEL A SCHEMATIC		
APP'D:		PLOT DATE: 01/08/99	DRAWING NO. 07S425-01	
ORIGINAL ISSUED:		PLOT TIME: 08:27:59	SCALE: NTS SHEET: 1 OF 2	
FILE NAME: 42501h2_				



**EXPORT TRANSFORMER WIRING**



- NOTES**
- 1) CAUTION: SHOCK HAZARD!! THIS UNIT CONTAINS HAZARDOUS VOLTAGE. DISCONNECT POWER AND BE SURE POWER SUPPLY IS DISCHARGED BEFORE TOUCHING INTERNAL PARTS.
  - 2) UNLESS NOTED, RESISTOR VALUES IN OHMS, 1/4W-5% TOL. CAPACITOR VALUES IN MICROFARADS, 50V-10% TOL.
  - 3) VOLTAGES ARE MEASURED WITH 1 MEGOHM OSCILLOSCOPE AND 10 MEGOHM DIGITAL VOLTMETER.
  - 4) CHASSIS GROUND  $\perp$  SWITCH GROUND  $\nabla$  CIRCUIT GROUND  $\perp$

**CAUTION:**  
 THIS SCHEMATIC IS PROVIDED FOR USE BY QUALIFIED PERSONNEL. TO AVOID RISK OF ELECTRIC SHOCK, REFER SERVICING TO QUALIFIED SERVICE PERSONNEL. DO NOT PERFORM ANY SERVICING BEYOND THAT EXPLAINED IN THE OPERATING INSTRUCTIONS.

SEE PAGE 1 FOR REVISION INFORMATION

SIGNATURES:	DATE:		11880 BORMAN DR. ST. LOUIS, MISSOURI 63148
DRAWN: S.RADER	4/23/92		
CHK'D:		PROJECT NAME: RMA-800	
APP'D:		DRAWING NAME: PROTECTION SCHEMATIC	
ORIGINAL ISSUED:		DRAWING NO. 07S425-01	
PLOT DATE: 01/08/99		SCALE: NTS	SHEET: 2 OF 2
PLOT TIME: 08:27:59			
FILE NAME: 42501h2_			