

AUTOMATIC GT/SE

GT:p/n 022-6300-000 (120V)
SE:p/n 022-6400-000 (120V)

SERVICE MANUAL

AUTOMATIC GT - AUTOMATIC SE
(These are the model names for warranty claims)

SERVICE MANUAL

JUNE 1997



CONTENTS:

- Notices
- Specifications
- Parts lists:
 - PCB assembly
 - Cabinet assembly
 - Chassis assembly
 - Unit assembly
- Schematics
- Service diagram

IMPORTANT NOTICE:

The information contained herein is CONFIDENTIAL and PROPRIETARY to Fender Musical Instruments Corp. It is disclosed solely for use by qualified technicians for purposes of equipment maintenance and service. It is not to be disclosed to others without the expressed permission of Fender Musical Instruments Co. All specifications subject to change without notice.

For warranty repair service, only Fender specified part numbers are to be used. It is recommended they also be used for post-warranty maintenance and repair.

Parts marked with an asterisk (*) indicate the required use of that specific part. This is necessary for RELIABILITY and SAFETY requirements. **DO NOT USE A SUBSTITUTE!**

A coded naming convention is used in the description of certain parts. The codes and what they mean are as follows:

CAPACITOR CODES

- CAP AE = Aluminum Electrolytic
- CAP CA = Ceramic Axial
- CAP CD = Ceramic Disk
- CAP MPF = Metalized Polyester Film
- CAP MY = Mylar
- CAP PFF = Polyester Film/Foil

RESISTOR CODES

- RES CC = Carbon Comp
- RES CF = Carbon Film
- RES FP = Flame Proof
- RES MF = Metal Film
- RES WW = Wire Wound

HARDWARE CODES

- BLX = Black Oxide
- CR = Chrome Plated
- HWH = Hex Washer Head
- M = Machine Screw
- NI = Nickel Plated
- OHP = Oval Head Phillips
- PB = Particle Board
- PHP = Pan Head Phillips
- PHPS = Pan Head Phillips Sems
- SMA = Sheet Metal "A" Point
- SMB = Sheet Metal "B" Point
- SS = Stainless Steel
- TF = Thread Forming
- ZI = Zinc Plated

Fender Musical Instruments Corp. 7975 North Hayden Road Scottsdale, AZ 85258

SPECIFICATIONS

Product Release No.:	PR 329 (This is not a model number)		
Part Number:	GT:	SE:	
120V Version:	22-6300	22-6400	
240V Aust:	22-6330	22-6430	
230V UK:	22-6340	22-6440	
230V Euro:	22-6360	22-6460	
100V	22-6370	22-6470	
Power Specification:	100V Version: 100 V AC, 50/60 Hz, 90 W		
	120V Version: 120 V AC, 60 Hz, 90 W		
	230V Version: 230 V AC, 50 Hz, 90 W		
	240V Version: 240 V AC, 50 Hz, 90 W		
Power output:	24 W into 8Ω @ 5% THD		
Input Impedance:	Instrument: > 500 kΩ		
	Tape/CD: 12 kΩ		
Nominal Input Level:	Instrument: 100 mV		
Input Sensitivity:	Tape/CD: 120 mV for clipping		
Speaker:	One Fender Special Design 12" Speaker (P/N 025923)		
Dimensions:	Height:	17.5"	(44 cm)
	Width:	17"	(43 cm)
	Depth:	9.5"	(24 cm)
Weight:	28 lbs. (12.7 kg)		

Product specifications are subject to change without notice

NOTE: SHADED ITEMS ARE FOR REFERENCE ONLY

PRINTED CIRCUIT BOARD

QTY	PART#	DESCRIPTION	REFERENCE DESIGNATION
1	033605	CAP AE RDL .15uF 50V 20%	C47 (+C18 in GT)
6	033606	CAP AE RDL .47uF 50V 20%	C7 C16 C39 C50 C56 (+C18 in SE)
3	028458	CAP AE RDL 1uF 50V 20%	C48 C68 C71
5	028459	CAP AE RDL 2.2uF 50V 20%	C9 C20 C51-52 C67
1	028460	CAP AE RDL 4.7uF 50V 20%	C55
1	028463	CAP AE RDL 10uF 50V 20%	C33
4	028467	CAP AE RDL 22uF 50V 20%	C73 C79-80 (+C10 in SE)
2	028471	CAP AE RDL 47uF 50V 20%	C65 C81
1	028474	CAP AE RDL 100uF 25V 20%	C77
2	028479	CAP AE RDL 220uF 25V 20%	C72 C78
2	033607	CAP AE RDL 2200uF 35V 20%	C75-76
1	039259	CAP CA 220pf 100v LL	C31
1	051445	CAP CD 22pF 500V 5%	C70
2	051408	CAP CD 47pF 500V 5%	C36 C41
3	051457	CAP CD 100pF 500V 5%	C8 C28 C53
2	051406	CAP CD 220pF 500V 10%	C45 C49
2	051458	CAP CD 470pF 500V 10%	C21 (+C19 in GT; C17 in SE)
1	051459	CAP CD 560pF 500V 10%	C25
2	027261	CAP MPF .0047uF 100V	C1-2
3	027278	CAP MPF .1uF 63V 10%	C22 C54 C66
1	027281	CAP MPF .22uF 63V	C32
1	027286	CAP MPF .47uF 63V	C57
1	033578	CAP PFF RDL .001uF 100V 10%	C69
3	033579	CAP PFF RDL .0015uF 100V 10%	C4 C6 C43 (+C17 in GT)
2	033580	CAP PFF RDL .0022uF 100V 10%	C34 C40
1	033581	CAP PFF RDL .0033uF 100V 10%	C26
1	033582	CAP PFF RDL .0039uF 100V 10%	C44
2	033583	CAP PFF RDL .0047uF 100V 10%	C27 C63
2	033588	CAP PFF RDL .01uF 100V 10%	C38 C74
1	030950	CAP PFF RDL .022uF 50V 5%	C30
4	033590	CAP PFF RDL .022uF 100V 10%	C5 C37 C58 (+C24 in SE)
5	033591	CAP PFF RDL .033uF 100V 10%	C59 C60 C62 (+C12-13 in SE; C14 C24 in GT)
1	030953	CAP PFF RDL .039uF 50V 5%	C29
8	033592	CAP PFF RDL .047uF 100V 10%	C3 C23 C35 C42 C46 C61 C64 (+C11 in SE; C15 in GT)
2	034720	CONTROL 100KB SNAP IN	R35 R119
1	037324	CONTROL 100K 30C SNAP IN	R50
1	040985	CONTROL SNAPIN 250K B	R38
1	034719	CONTROL 50KB SNAP IN	R62
1	019994	CONTROL T-POT 100k 20% PC MTG	R133
6	064089	DIODE 1N4003 LL	D10-11 D30-33
21	006260	DIODE 1N4448 SIGNAL LL	D4 D7-9 D13-15 D17-26 D28-29 D36 (+D3 in SE; D5-6 in GT)
2	009165	DIODE ZEN 1N4744A 15V 1W 5%	D34-35
10	025802	FSTN TAB MALE .250x.032 PCB MT	P2-11
2	026000	FSTN TAB MALE PCB MT .187X.032	P12-13
2	051094	FUSE CLIP, PCB 5mm (EXPT)	at F2
1	027411	HDR .1 CTR 4 CKT SQ PIN	P1

PARTS LIST

**PRINTED CIRCUIT BOARD
(CONTINUED)**

QTY	PART#	DESCRIPTION	REFERENCE DESIGNATION
7	031611	IC DUAL OP AMP PC4560	U2-8
1	016795	IC DUAL OP AMP TL072	U1
1	029672	IC MN3101 CLOCK GEN/DRIVER	U10
1	029671	IC MN3007 BUCKET BRIGADE	U9
1	029912	IC POWER AMP PC 1188H 20W	U11
1	041988	INSULATOR MICA 10 PIN SIP	at U11
1	034883	HEATSINK PLT RD/HT/JM/CHAMP110	HS1
2	027638	SCRW TF 4-40x3/8 HWHS ZI .1"HD	at U11/HS1
2	032908	SCRW TF 6-32x3/8 PHP ZI	at HS1/PCB
2	037036	JACK PHONE PCB MONO CA PREM	J1 J3
1	031570	JACK PHONE PCB STEREO PREM	J4
1	025933	JACK PHONO DUAL PC MTG	J2
5	049948	LED RED LONG LEAD LUMEX	D12 D16 D27 (+ D1-2 in SE)
3	036178	SPACER LED .5x.1 BRN	at D12 D16 D27
1	024937	RES CF 1/4W 5% 10 ohm LL	R58
2	024947	RES CF 1/4W 5% 47 ohm LL	R131-132
2	024952	RES CF 1/4W 5% 100 ohm LL	R98 R127
1	024961	RES CF 1/4W 5% 470 ohm LL	R39
3	024965	RES CF 1/4W 5% 1k LL	R101 R111 (+ R16 in SE)
1	024972	RES CF 1/4W 5% 2.7k LL	R76
5	024973	RES CF 1/4W 5% 3.3k LL	R120 R124 (+ R20 R21 R26 in SE)
2	024975	RES CF 1/4W 5% 3.9k LL	R84 R91
3	024977	RES CF 1/4W 5% 4.7k LL	R43 R60 (+ R41 in SE; R22 in GT)
4	028034	RES CF 1/4W 5% 5.1k LL	R5 R70-71 R130
0	024978	RES CF 1/4W 5% 5.6k LL	R26 in GT only
1	028948	RES CF 1/4W 5% 6.2k LL	R11
1	024979	RES CF 1/4W 5% 6.8k LL	R4
1	024980	RES CF 1/4W 5% 8.2k LL	R19 in SE only
4	026510	RES CF 1/4W 5% 9.1k LL	R40 R44-45 (+ R42 in SE)
12	024981	RES CF 1/4W 5% 10k LL	R13 R59 R66 R99 R110 R112 R115-117 +R136-137 R139 (+R23 in GT)
2	024983	RES CF 1/4W 5% 12k LL	R79-80
0	029539	RES CF 1/4W 5% 13k LL	R33-34 R42 in GT only
2	024985	RES CF 1/4W 5% 15k LL	R1 R6
6	024986	RES CF 1/4W 5% 18k LL	R49 R73-75 R121 R128 (+R21 in GT)
6	024987	RES CF 1/4W 5% 22k LL	R51 R57 R103 R106 (+ R17-18 in SE)
5	024988	RES CF 1/4W 5% 27k LL	R56 R77 R82 R86-87
0	028865	RES CF 1/4W 5% 30k LL	R27 in GT only
6	024989	RES CF 1/4W 5% 33k LL	R31 R36 R78 R123 R125 (+ R27 in SE)
7	024993	RES CF 1/4W 5% 47k LL	R15 R30 R46-48 R100 R118
1	028990	RES CF 1/4W 5% 51k LL	R83
1	026507	RES CF 1/4W 5% 62k LL	R92
2	024995	RES CF 1/4W 5% 68k LL	R37 R126 (+ R25 in GT)
1	028153	RES CF 1/4W 5% 75k LL	R33 in SE only
3	029613	RES CF 1/4W 5% 91k LL	R9-10 (+ R34 in SE)
11	024997	RES CF 1/4W 5% 100k LL	R8 R12 R63 R65 R67-69 R88 R109 R138 (+ R25 in SE)

PARTS LIST

**PRINTED CIRCUIT BOARD
(CONTINUED)**

QTY	PART#	DESCRIPTION	REFERENCE DESIGNATION
1	025058	RES CF 1/4W 5% 180k LL	R52
5	025059	RES CF 1/4W 5% 220k LL	R14 R102 R105 (+ R24 R29 in SE)
3	025061	RES CF 1/4W 5% 330k LL	R61 R72 R129 (+ R32 in GT)
3	025065	RES CF 1/4W 5% 470k LL	R28 R122 (+ R32 in SE)
2	028018	RES CF 1/4W 5% 510k LL	R2-3
1	025067	RES CF 1/4W 5% 680k LL	R85
7	025069	RES CF 1/4W 5% 1M LL	R7 R81 R104 R107-108 R113-114 (+ R24 in GT)
1	025075	RES CF 1/4W 5% 2.2M LL	R64
1	027632	RES MF 1/4W 1% 2.43k LL	R53
1	015582	RES MF 1/4W 1% 10.0k LL	R54
1	016971	RES MF 1/4W 1% 33.2k LL	R55
1	030737	RES CF 1/2W 5% 5.6 ohm LL	R89
1	026549	RES CF 1/2W 5% 1.5k LL	R96
1	039128	RES FILM 1W 5% 120 ohm LL	R93
2	028740	RES FILM 1W 5% 470 ohm LL	R94-95
1	029722	RES FILM 1W 5% 1k LL	R97
1	034704	RES FILM 2W 5% 180 ohm LL	R134
1	034705	RES FILM 2W 5% 270 ohm LL	R135
1	032958	RES WW BT 5W 10% .33 ohm	R90
3	028091	SWITCH PUSH SLFLK SHORT STROKE	S1 S3-4
0	028104	BUTTON PUSH SWITCH BLACK	at S1 S3-4 (GT only)
1	034717	SWITCH PUSH 4P GANG	S2
0	051381	KNOB PUSH BLACK	at S2 (GT only)
7	014689	XSTR N-CH JFET J111 TO-92	Q1-7
2	016742	XSTR PNP 2N4403 TO-92	Q8-9
2	016739	XSTR NPN 2N4401 TO-92	Q10-11
1	051382	PCB AUTOMATIC AMPS	
3	048451	BUTTON PUSH OFF-WHITE	S1 S3-4 (SE only)
4	051710	KNOB PUSH OFF-WHITE	S2 (SE only)

CAB ASSEMBLY

QTY	PART#	DESCRIPTION	REFERENCE DESIGNATION
2	017393	SCRW M 10-32x1-1/8 OHP BLX	(GT only)
6	021972	NUT T 10-32X3/4 STR 3 PRNG BLX	
1	025883	HANDLE SHORT NO LOGO	
1	025884	HANDLE INSERT 7.78"	
2	025395	HANDLE CAP 1 HOLE NI (DWG17240)	(SE only)
4	029323	FOOT RUBBER 1.0 DIA SMALL	
6	031838	CORNER 2 HOLE W/TAB BLK PWDRD	(GT only)
2	031840	CORNER 3 HOLE BLK PWDRD	(GT only)
6	026566	CORNER 2 HOLE W/TAB NI	(SE only)
2	026568	CORNER 3 HOLE NI	(SE only)
.2	040046	CARPET BLACK (SY)	(GT only)
7			

PARTS LIST

PARTS LIST

**CAB ASSEMBLY
(CONTINUED)**

QTY	PART#	DESCRIPTION	REFERENCE DESIGNATION
2	047793	HANDLE CAP 1 HOLE PWDR COAT BLK	<i>(GT only)</i>
18	026576	SCRW SMA 8x5/8 THP BLACK	<i>(GT only)</i>
18	026571	SCRW SMAB 8x5/8 THP NI	<i>(SE only)</i>

CHASSIS ASSEMBLY

QTY	PART#	DESCRIPTION	REFERENCE DESIGNATION
1	034885	HEATSINK BAR RD/HT/JM/CHMP110	
1	038900	SCRW TF 6-32x1/4 PHP ZI	
1	041397	REVERB SPRING 1BB2E4A	
1	048381	FUSE QA 20mmX5mm 250V 1A CSA	(100/120V MODELS)
1	020786	FUSE QA 20mmX5mm 250V .500A	(230/240V MODELS)
1	050691	CHASSIS AUTOMATIC	
1	051330	CABLE ASSY 120V 6 FT	(120V MODELS)
1	036479	CABLE ASSY PWR AUST .187 TABS	(240V AUST MODELS)
1	040992	CABLE ASSY PWR 5A U.K. .187 TABS	(230V UK MODELS)
1	050725	CABLE ASSY PWR .187x2 230V 8'	(230V EURO MODELS)
1	048465	CABLE ASSY PWR .187 100V	(100V MODELS)
1	033613	XFMR PWR 120V	(DOMESTIC MODELS)
1	040611	XFMR PWR CHMP110/BXR25 230V	(EXPORT MODELS)
1	051333	PANEL FRONT AUTOMATIC GT	<i>(GT only)</i>
1	051420	PANEL FRONT AUTOMATIC SE	<i>(SE only)</i>
1	051626	PCB ASSY AUTOMATIC GT	<i>(GT only)</i>
1	051632	PCB ASSY AUTOMATIC SE	<i>(SE only)</i>
4	069393	NUT 6-32 HEX EXT LOCK	
2	028500	SCRW TF 8-32x3/4 HWH SLTD ZI	
3	028937	SCRW TF 6-32x5/8 PHP ZI TAPTYT	
3	031647	NUT HEX 12mmX1mm NI	
5	033206	BUSHING KNOB SPACER	
1	9904101560	SCREW 6x3/8 HI-LO PHP BLX	
3	9904300920	WASHER FLAT .482x.709 NI	<i>(GT only)</i>
5	026403	KNOB POINTER BLACK 180 DEG	
1	026038	BUSHING SR .625x.062x37/64	
1	025935	SWITCH DPST .187 TAB (DOM)	
1	021709	BUSHING SR .437x.062x13/32 BLK	(100/120V MODELS)
1	010401	BUSHING SR .625x.125x37/64 WHT	(230/240V MODELS)

UNIT ASSEMBLY

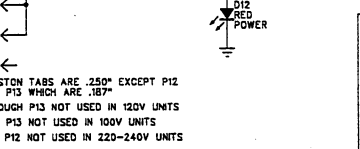
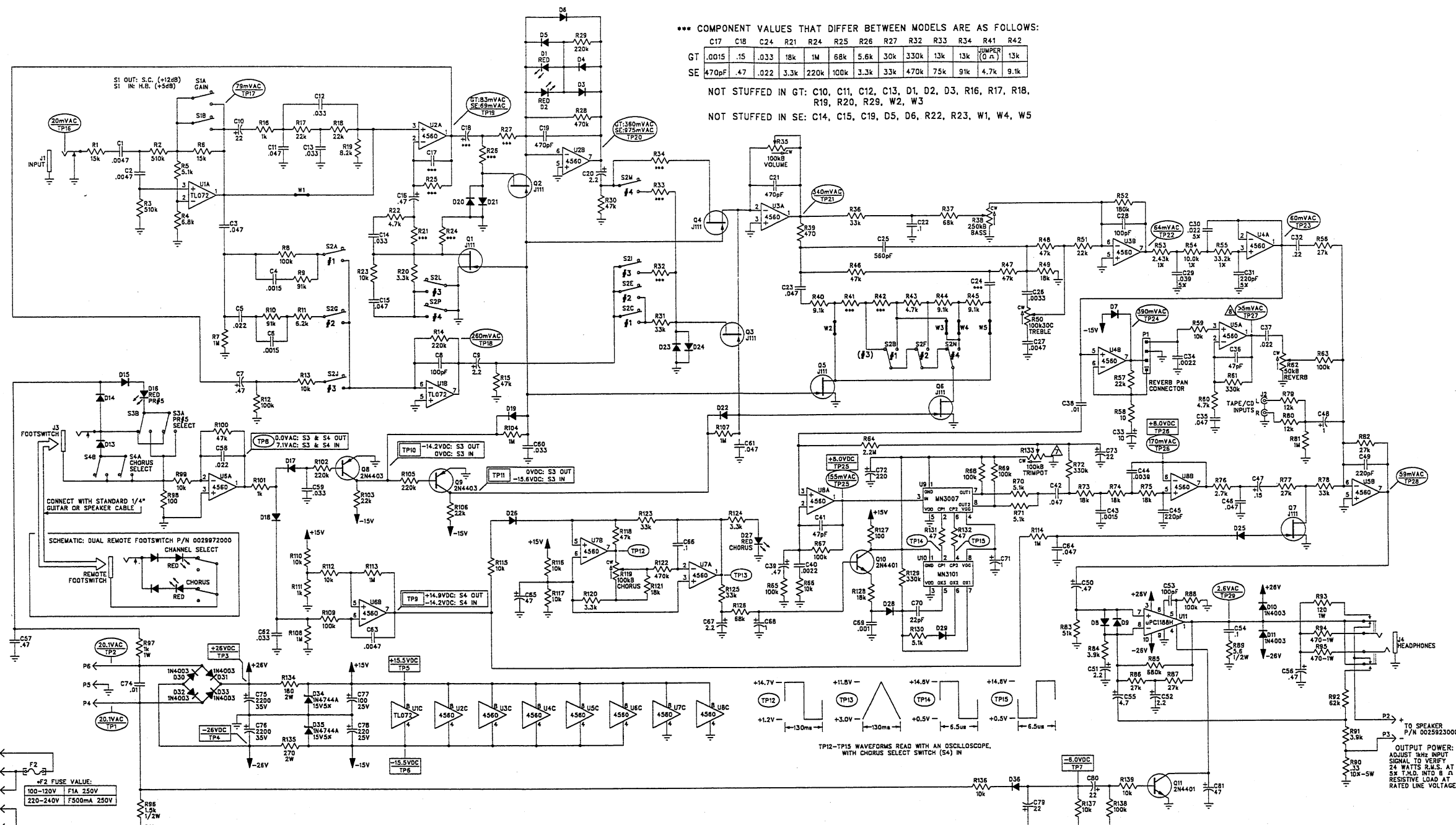
QTY	PART#	DESCRIPTION	REFERENCE DESIGNATION
2	011678	SCRW SMA 8x1-1/2 OHP BLX	
4	016627	SCRW SMA 8x3/4 OHP BLX	<i>(GT only)</i>
4	026577	SCRW M 10-32x1 PHP BLX	
4	036199	SCRW M 8-32x1-3/16 OHP BLX CP	
2	051621	SCRW SMA 2x9/16 FHP NI	
6	029527	WSHR FNSH 8x5/8 FLNGD BLX WX	<i>(QTY IN GT = 10)</i>
1	025923	SPEAKER 12" 8Ω 75 WATT	
1	038299	DECAL SPEAKER GLOBE ROUND	
1	050692	CAB ASSY AUTOMATIC GT	<i>(GT only)</i>
1	051714	CAB ASSY AUTOMATIC SE	<i>(SE only)</i>
1	051627	CHS ASSY AUTOMATIC GT (120V)	<i>(GT only)</i>
1	051628	CHS ASSY AUTOMATIC GT (240V AUST)	<i>(GT only)</i>
1	051629	CHS ASSY AUTOMATIC GT (230V UK)	<i>(GT only)</i>
1	051630	CHS ASSY AUTOMATIC GT (230V EUR)	<i>(GT only)</i>
1	051631	CHS ASSY AUTOMATIC GT (100V)	<i>(GT only)</i>
1	051633	CHS ASSY AUTOMATIC SE (120V)	<i>(SE only)</i>
1	051634	CHS ASSY AUTOMATIC SE (240V AUST)	<i>(SE only)</i>
1	051635	CHS ASSY AUTOMATIC SE (230V UK)	<i>(SE only)</i>
1	051636	CHS ASSY AUTOMATIC SE (230V EUR)	<i>(SE only)</i>
1	051637	CHS ASSY AUTOMATIC SE (100V)	<i>(SE only)</i>
1	050850	NAMEPLATE VINTAGE PLASTIC SMAL	
1	051400	GRILLE AUTOMATIC GT	<i>(GT only)</i>

REVISIONS			
A	PR329	16-MAY-97	RJD

*** COMPONENT VALUES THAT DIFFER BETWEEN MODELS ARE AS FOLLOWS:

	C17	C18	C24	R21	R24	R25	R26	R27	R32	R33	R34	R41	R42
GT	.0015	.15	.033	18k	1M	68k	5.6k	30k	330k	13k	13k	JUMPER (0 Ω)	13k
SE	470pF	.47	.022	3.3k	220k	100k	3.3k	33k	470k	75k	91k	4.7k	9.1k

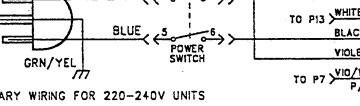
NOT STUFFED IN GT: C10, C11, C12, C13, D1, D2, D3, R16, R17, R18, R19, R20, R29, W2, W3
 NOT STUFFED IN SE: C14, C15, C19, D5, D6, R22, R23, W1, W4, W5



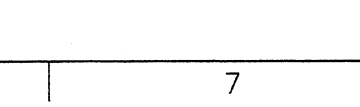
CONNECT WITH STANDARD 1/4" GUITAR OR SPEAKER CABLE



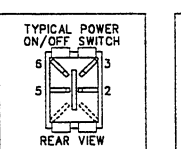
INTERLOCKING MECHANISM



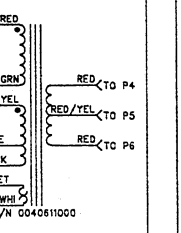
PRIMARY WIRING FOR 120V UNITS



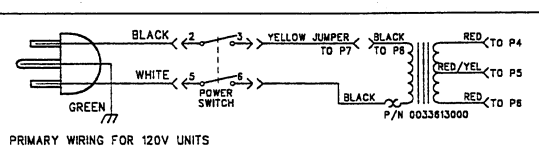
PRIMARY WIRING FOR 220-240V UNITS



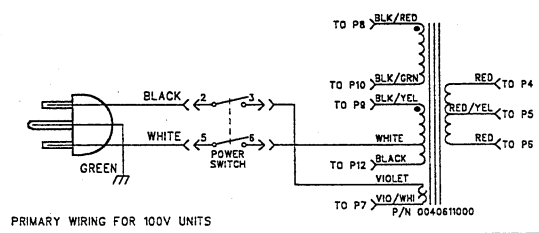
TYPICAL POWER ON/OFF SWITCH



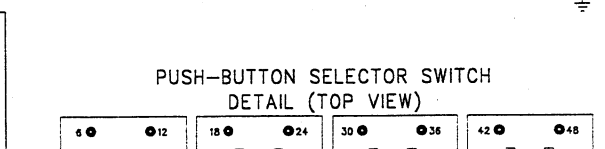
PRIMARY WIRING FOR 100V UNITS



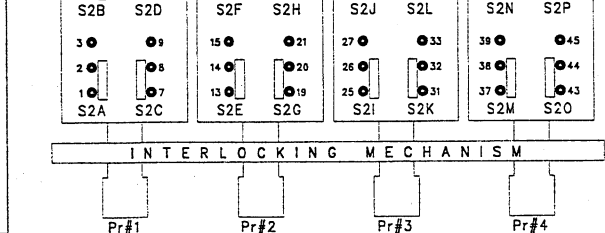
PRIMARY WIRING FOR 120V UNITS



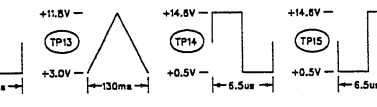
PRIMARY WIRING FOR 100V UNITS



PUSH-BUTTON SELECTOR SWITCH DETAIL (TOP VIEW)



INTERLOCKING MECHANISM



TP12-TP15 WAVEFORMS READ WITH AN OSCILLOSCOPE WITH CHORUS SELECT SWITCH (S4) IN

- LAST REFERENCE DESIGNATORS: C81, D36, F2, J4, P13, D11, R139, S4, TP28, U11, W5. (F1 NOT USED)
- TP27 CAN VARY FROM 5-500mVAC AND IS DEPENDENT UPON SPECIFIC EXCITATION FREQUENCY AND PARTICULAR REVERB PAN FREQUENCY RESPONSE.
- TO SET CHORUS BIAS, INCREASE 1kHz SINEWAVE INPUT TO ABOUT 200mV AND ADJUST TRIMPOT R133 TO SHOW SYMMETRICAL CLIPPING AT U8 PIN 7 (TP28).
- AC AND DC VOLTAGES READ TO GROUND WITH A DVM UNDER THE FOLLOWING CONDITIONS:
 UNIT AT RATED LINE VOLTAGE
 REVERB PAN P/N 0041387000 CONNECTED AT P1
 8 OHM RESISTIVE LOAD CONNECTED AT P2/P3
 CHORUS SELECT SWITCH (S4) IN OUT POSITION
 PRESET #1 SELECTED
 NO FOOTSWITCH CONNECTED
 "REVERB" CONTROL AT "0"
 "CHORUS" CONTROL AT "10"
 ALL OTHER CONTROLS AT "5"
 NO INPUT SIGNAL (TP1-TP15 ONLY)
- ADDITIONAL CONDITIONS FOR TP16-TP22:
 8 OHM RESISTIVE LOAD CONNECTED AT P2/P3
 PR25 SELECT SWITCH (S3) IN OUT POSITION
 CHORUS SELECT SWITCH (S4) IN OUT POSITION
- THIS SCHEMATIC IS FOR PCB FAB P/N 0051382000.
- ALL DIODES ARE 1N4448.
- ALL POLARIZED CAPACITORS IN μF: 50V (MIN.), 20X.
- ALL UNPOLARIZED CAPACITORS IN μF: 50V (MIN.), 10X OR BETTER.
- ALL RESISTORS IN OHMS: 1/4W, 5X.

NOTES: (UNLESS OTHERWISE NOTED)

THIS DOCUMENT CONTAINS INFORMATION OF A PROPRIETARY NATURE TO FENDER MUSICAL INSTRUMENTS AND IS SUBMITTED TO YOU IN CONFIDENCE AND SHALL NOT BE DISCLOSED OR TRANSMITTED TO OTHERS WITHOUT AUTHORIZATION FROM FENDER MUSICAL INSTRUMENTS.

Fender MUSICAL INSTRUMENTS
 2621 Research Drive
 Corona, CA 91720 USA

CHECKED BY: B. DESI
 CK DATE: 13-MAY-97

APPROVED BY: B. DESI
 AP DATE: 13-MAY-97

DRAWN: B. DESI ENGR: B. DESI

FILE: Z3295.SCH

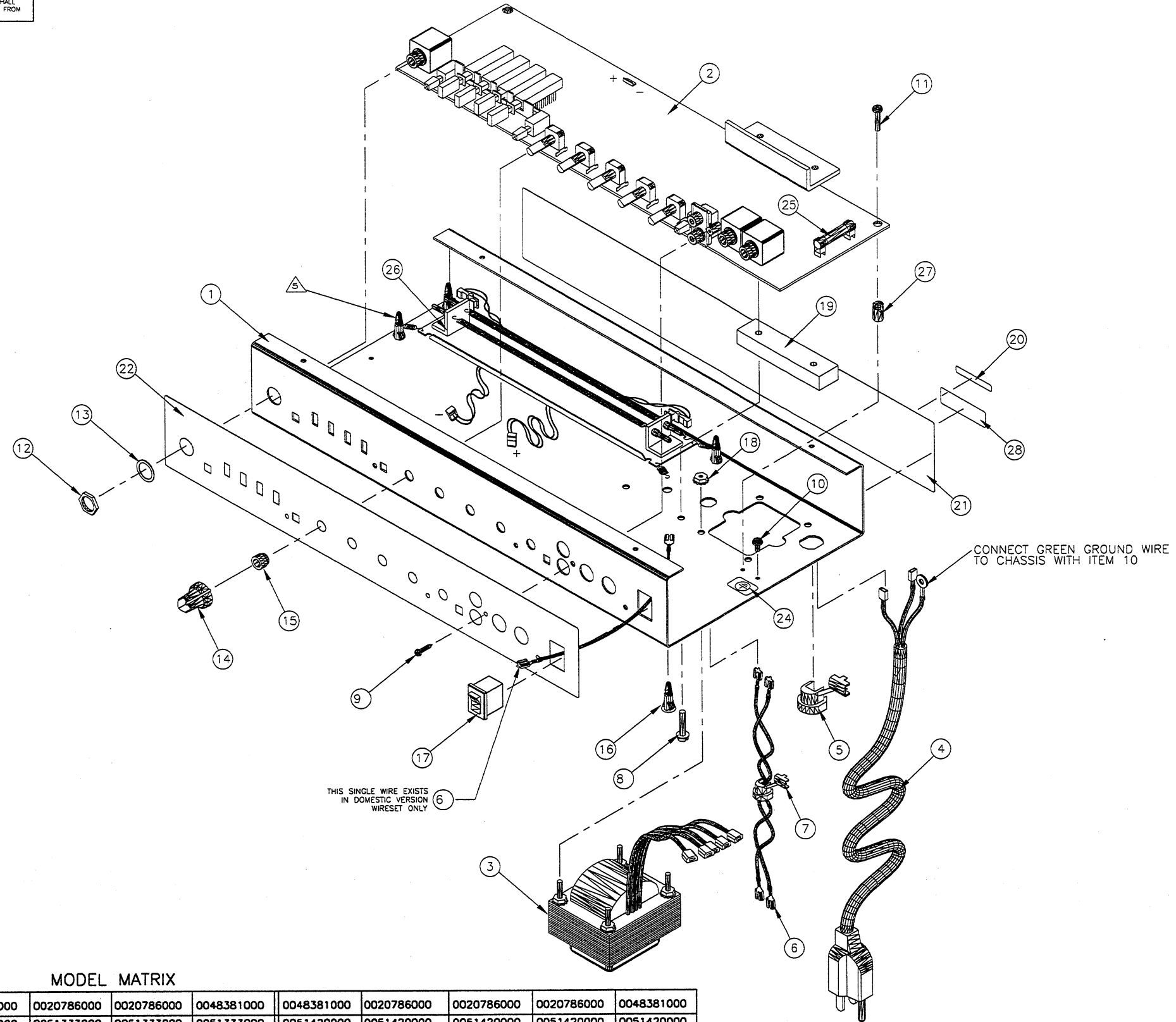
TITLE: SCHEMATIC DIAGRAM, AUTOMATIC GT/SE AMPLIFIERS

SIZE: D
 DRAWING NUMBER: 0051623000
 REV. A

RELEASE DATE: 16-MAY-97 SHEET: 1 OF 1

THIS DOCUMENT CONTAINS INFORMATION OF A PROPRIETARY NATURE TO FENDER MUSICAL INSTRUMENTS AND IS SUBMITTED TO YOU IN CONFIDENCE AND SHALL NOT BE DISCLOSED OR TRANSMITTED TO OTHERS WITHOUT AUTHORIZATION FROM FENDER MUSICAL INSTRUMENTS CORP. JAMN

REV	EC NUMBER	BY	DATE/CHK
A	PR 329	HB	05-13-97
B	EC CR120	KD	06-30-97



CONNECT GREEN GROUND WIRE TO CHASSIS WITH ITEM 10

THIS SINGLE WIRE EXISTS IN DOMESTIC VERSION WIRESET ONLY

28	1	0029816000	LABEL SERIAL, MEXICO
27	3	0025936000	STANDOFF NYL PCB SNAP 3/8 NAT
26	1	0041397000	REVERB SPRING 1BB2E4A
25	1	SEE MATRIX	FUSE
24	1	0013020000	LABEL, GROUNDING SEMKO
23			
22	1	SEE MATRIX	PANEL FRONT AUTOMATIC
21	1	0051346000	LABEL REAR AUTOMATIC SE/GT
20	1	SEE MATRIX	LABEL VOLTAGE
19	1	0034885000	HEATSINK BAR RD/HT/JM/CHMP110
18	4	0069393000	NUT 6-32 HEX EXT LOCK
17	1	0025935000	SWITCH DPST .187 TAB (DOM)
16	4	0051404000	STANDOFF, NYLON BLACK
15	5	0033206000	BUSHING KNOB SPACER
14	5	0026403000	KNOB POINTER BLACK 180 DEG.
13	3	SEE MATRIX	WASHER FLAT .482x.709 NI
12	3	0031647000	NUT HEX 12mmx1mm NI
11	3	0028937000	SCRW TF 6-32x5/8 PHP ZI TAPTYT
10	1	0038900000	SCRW TF 6-32x1/4 PHP ZI
9	1	9904101560	SCRW 6 X 3/8 HI-LO PHP BLX
8	2	0028500000	SCRW TF 8-32x3/4 HWH SLTD ZI
7	1	0021709000	BUSHING SR .437x.062x13/32 BLK
6	1	SEE MATRIX	WIRE SET
5	1	SEE MATRIX	BUSHING SR
4	1	SEE MATRIX	CABLE ASSY PWR
3	1	SEE MATRIX	XFRM PWR
2	1	SEE MATRIX	PCB ASSY AUTOMATIC GT/SE
1	1	0050691000	CHASSIS AUTOMATIC

MODEL MATRIX

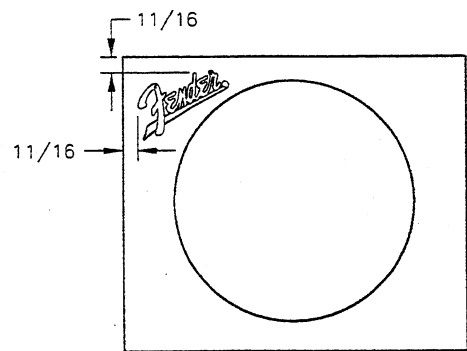
25	FUSE	0048381000	0020786000	0020786000	0020786000	0048381000	0048381000	0020786000	0020786000	0020786000	0048381000
22	PANEL FRONT	0051333000	0051333000	0051333000	0051333000	0051333000	0051420000	0051420000	0051420000	0051420000	0051420000
20	LABEL VOLTAGE	N/A	0050506000	0050505000	0050505000	N/A	0050506000	0050505000	0050505000	0050505000	0050507000
13	WASHER	9904300920	9904300920	9904300920	9904300920	9904300920	N/A	N/A	N/A	N/A	N/A
6	WIRESET	0036762000	0040771000	0040771000	0040771000	0040771000	0036762000	0040771000	0040771000	0040771000	0040771000
5	BUSHING SR	0026038000	0010401000	0010401000	0010401000	0026038000	0026038000	0010401000	0010401000	0010401000	0026038000
4	CABLE ASSY PWR	0051330000	0036479000	0040992000	0050725000	0048465000	0051330000	0036479000	0040992000	0050725000	0048465000
3	XFRM, PWR	0033613000	0040611000	0040611000	0040611000	0040611000	0033613000	0040611000	0040611000	0040611000	0040611000
2	PCB ASSY	0051626000	0051626000	0051626000	0051626000	0051626000	0051632000	0051632000	0051632000	0051632000	0051632000
	CHASSIS ASSY	AUTOMATIC GT DOM 120V 0051627000	AUTOMATIC GT AUS 240V 0051628000	AUTOMATIC GT UK 230V 0051629000	AUTOMATIC GT EUR 230V 0051630000	AUTOMATIC GT 100V 0051631000	AUTOMATIC SE DOM 120V 0051633000	AUTOMATIC SE AUS 240V 0051634000	AUTOMATIC SE UK 230V 0051635000	AUTOMATIC SE EUR 230V 0051636000	AUTOMATIC SE 100V 0051637000

- ▲ SILICONE GLUE TO BE APPLIED TO BOTH ENDS OF EACH REVERB SUSPENSION SPRING.
4. COPYRIGHT - 1997 -, FENDER MUSICAL INSTRUMENTS CORP.
3. - 3 - SAMPLES OF FIRST PARTS MUST BE APPROVED BY FENDER R & D BEFORE STARTING PRODUCTION.
2. ALL DIMENSIONS ARE IN INCHES.
1. DO NOT SCALE DRAWING.
- NOTES: UNLESS NOTED OTHERWISE.

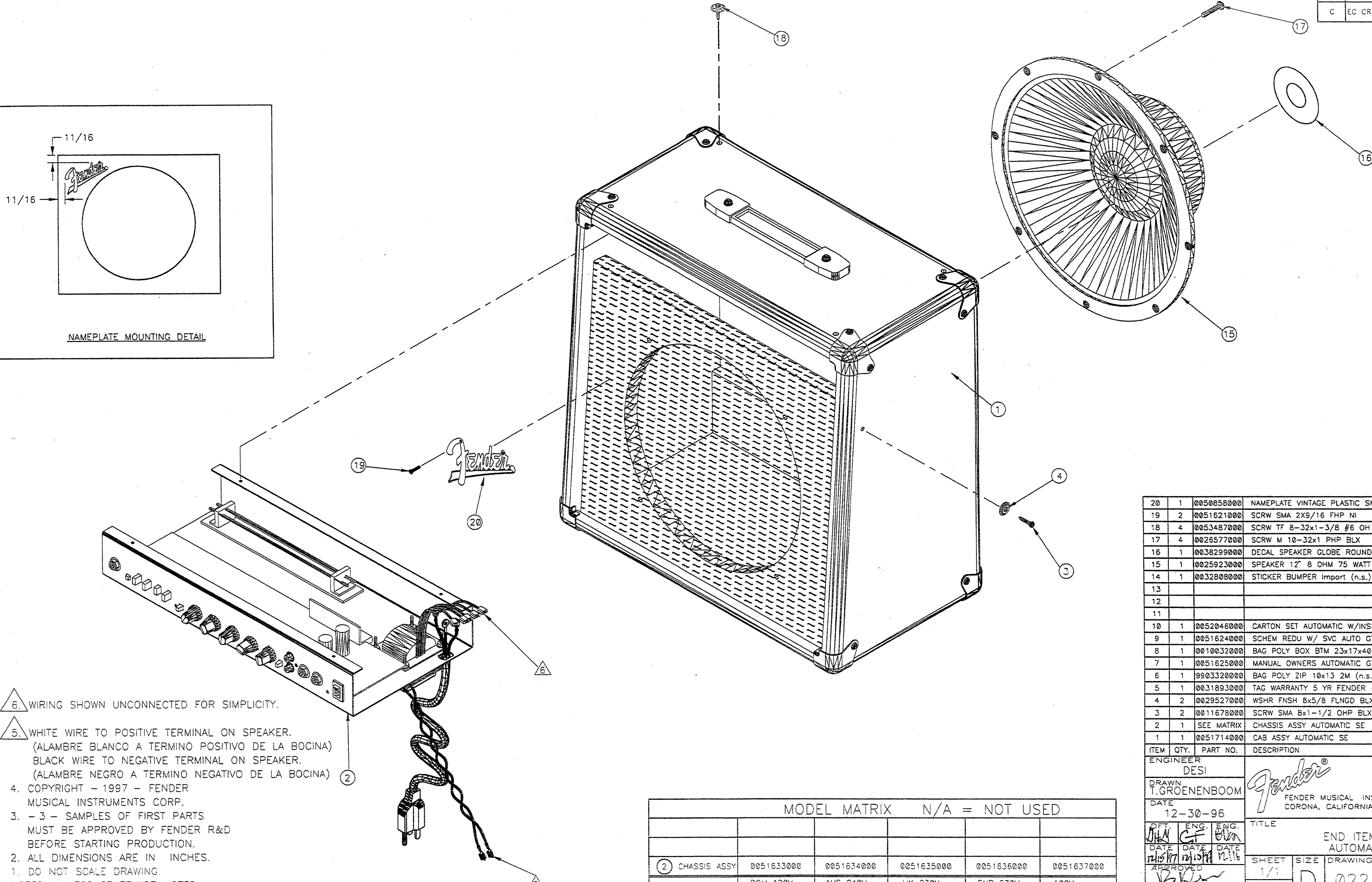
ENGINEER DESI			
DRAWN T.GROENENBOOM			
DATE 02-07-97	FENDER MUSICAL INSTRUMENTS CORP. CORONA, CALIFORNIA 91720		
CHECK GIF	TITLE CHASSIS ASSY AUTOMATIC GT/SE		
DATE 7.1.97	SHEET 1/1	SIZE D	DRAWING NUMBER 0051627000
APPROVED DESIG	SCALE N/A	REV. B	MASTER

THIS DOCUMENT CONTAINS INFORMATION OF A PROPRIETARY NATURE TO FENDER MUSICAL INSTRUMENTS AND IS SUBMITTED TO YOU IN CONFIDENCE AND SHALL NOT BE DISCLOSED OR TRANSMITTED TO OTHERS WITHOUT AUTHORIZATION FROM FENDER MUSICAL INSTRUMENTS CORP.

REV.	SEC NUMBER	BY	DATE
A	PR329	HB	05-16-97
B	MEC 078	KD	07-23-97
C	EC CR144	KD	12-08-97



NAMEPLATE MOUNTING DETAIL



(n.s.)= NOT SHOWN

6. WIRING SHOWN UNCONNECTED FOR SIMPLICITY.

5. WHITE WIRE TO POSITIVE TERMINAL ON SPEAKER.
(ALAMBRE BLANCO A TERMINO POSITIVO DE LA BOCINA)
BLACK WIRE TO NEGATIVE TERMINAL ON SPEAKER.
(ALAMBRE NEGRO A TERMINO NEGATIVO DE LA BOCINA)

- 4. COPYRIGHT - 1997 - FENDER MUSICAL INSTRUMENTS CORP.
 - 3. - 3 - SAMPLES OF FIRST PARTS MUST BE APPROVED BY FENDER R&D BEFORE STARTING PRODUCTION.
 - 2. ALL DIMENSIONS ARE IN INCHES.
 - 1. DO NOT SCALE DRAWING.
- NOTES: UNLESS OTHERWISE NOTED

ITEM	QTY.	PART NO.	DESCRIPTION
20	1	0050858000	NAMEPLATE VINTAGE PLASTIC SMALL
19	2	0051621000	SCRW SMA 2X9/16 FHP NI
18	4	0053487000	SCRW TF 8-32x1-3/8 #6 OH BLX
17	4	0026577000	SCRW M 10-32x1 PHP BLX
16	1	0038299000	DECAL SPEAKER GLOBE ROUND
15	1	0025923000	SPEAKER 12" 8 OHM 75 WATT
14	1	0032808000	STICKER BUMPER Import (n.s.)
13			
12			
11			
10	1	0052046000	CARTON SET AUTOMATIC W/INSERTS (n.s.)
9	1	0051624000	SCHEM REDU W/ SVC AUTO GT/SE (n.s.)
8	1	0010032000	BAG POLY BOX BTM 23x17x40 (n.s.)
7	1	0051625000	MANUAL OWNERS AUTOMATIC GT/SE (n.s.)
6	1	9903320000	BAG POLY ZIP 10x13 2M (n.s.)
5	1	0031893000	TAG WARRANTY 5 YR FENDER (n.s.)
4	2	0029527000	WSHR FNSH 8x5/8 FLNGD BLX WX
3	2	0011678000	SCRW SMA 8x1-1/2 OHP BLX
2	1	SEE MATRIX	CHASSIS ASSY AUTOMATIC SE
1	1	0051714000	CAB ASSY AUTOMATIC SE

ITEM	QTY.	PART NO.	DESCRIPTION
ENGINEER DESI			
DRAWN T.GROENENBOOM			
DATE 12-30-96			
DFT. ENG. ENG. DATE DATE DATE			
APPROVED			
DATE 12-17-97			
TITLE			
END ITEM ASSY AUTOMATIC SE			
SHEET	1/1	SIZE	D
SCALE	N/A	DRAWING NUMBER	0226400000
REV.	C	MASTER	

	MODEL	MATRIX	N/A = NOT USED		
2	CHASSIS ASSY	0051633000	0051634000	0051635000	0051636000
	END ITEM ASSY	DOM 120V 0226400000	AUS 240V 0226430000	UK 230V 0226440000	EUR 230V 0226460000
				100V 0226470000	