

FENDER BXR 300C

0224100 (120V)
 0224140 (240V)
 0224150 (220V)
 0224170 (100V)

PARTS LIST PAGE 1 OF 5

*** PCB ASSEMBLY ***

QTY	PART #	DESCRIPTION	REFERENCE DESIGNATION
1	034906	PCB FAB	PC1 (BLANK)
1	034907	PCB ASSEMBLY (120V)	PCB1 (STUFFED)
1	034911	PCB ASSEMBLY (220/240V)	PCB1 (STUFFED)
1	034912	PCB ASSEMBLY (100V)	PCB1 (STUFFED)
1	025970	CAPCD 1KV 5pF 10%	C25
1	025979	CAPCD 1KV 50pF 10%	C1
2	025982	CAPCD 1KV 68pF 10%	C26,27
2	069724	CAPCD 1KV 100pF 10%	C8,38
1	025777	CAPCD 1KV 470pF 10%	C17
9	028459	CAPRE 50V 2.2uF 20%	C16,19,20,23,32,34-37 +43
2	028460	CAPRE 50V 4.7uF 20%	C21,28
3	028465	CAPRE 25V 22uF 20%	C9,10,18
2	028471	CAPRE 50V 47uF 20%	C41,42
3	025787	CAPRE 16V 100uF 20%	C24,29,30
2	025786	CAPRE 80V 6800uF 20%	C39,40
5	027278	CAPRF 100V .1uF 10%	C5,6,13,14,33
1	024854	CAPRF 400V .1uF 10%	C31
1	027281	CAPRF 63V .22uF 10%	C4
1	027286	CAPRF 63V .47uF 10%	C7
1	033579	CAPRP 100V.0015uF 10%	C11
1	033580	CAPRP 100V.0022uF 10%	C22
2	036182	CAPRP 50V.0033uF 2%	C2,3
1	033583	CAPRP 100V.0047uF 10%	C15
1	033596	CAPRP 100V .068uF 10%	C12
3	031087	CTRL, 25K, 2B, DETENT	R14,25,29 (MID, TRE, BAS)
1	031089	CTRL, 100K, 10C, DUAL	R23 (MID FREQ)
1	031090	CTRL, 100K, 10A, 100K, 5C, DUAL	R13 (VOLUME)
4	025821	DIODE, 200PRV, FDH400, FAST	CR16,17,20,21
2	020534	DIODE, 200PRV, 3A, 1N5402	CR22,23
24	006260	DIODE, 75PRV, SIG, 1N4448	CR1-3,5-15,18,19,24-31
1	025821	DIODE, ZENER, 3.9V, 1N5228B	CR32
1	031019	DIODE, ZENER, 15V, 1N5245B	CR4
2	028097	DIODE, ZENER, 16V, 1N5353B	CR33,34
17	025802	FASTON TAB .250 (120V)	CP1-8,10,11,13,15-20
20	025802	FASTON TAB .250 (EXPORT)	CP1-20
1	028330	FUSE 10A 250V	F1 (100/120V)
1	020798	FUSE 5A 250V 5mm	F1 (220/240V)
2	025996	FUSE CLIP, DUAL	XF1
1	036598	HEATSINK	HK1
1	027387	INDUCTOR 2.5mHY	L1

FENDER BXR 300C

PARTS LIST PAGE 2 OF 5

*** PCB ASSEMBLY (CONTINUED) ***

QTY	PART #	DESCRIPTION	REFERENCE DESIGNATION
8	074211	INSULATOR, MICA TO-3	NS1-8 (AT Q20-27)
4	017974	INSULATOR, MICA TO-220	NS9-12 (AT Q16-19)
4	025929	JACK, PHONE, MONO	J1-4
33	020888	JUMPER .5"	W1-4,6-17,19-35
5	026043	JUMPER .8"	JP1-5
1	028039	LED RED, 5x5mm	LD2
1	028097	LED YELLOW, 5x5mm	LD1
16	9904200200	NUT PEM 6-32	NT1-16 (AT Q20-27)
4	016795	OP-AMP DUAL JFET TL072	U1-4
1	027404	OP TRANSCOND AMP 3080	U5
3	028101	PUSH BUTTON	BP1-3 (AT S2-4)
4	024947	RESCF 1/4W 47 ohm 5%	R44,45,61,70
1	024952	RESCF 1/4W 100 ohm 5%	R103
2	024952	RESCF 1/4W 220 ohm 5%	R54,58
2	024961	RESCF 1/4W 470 ohm 5%	R63,66
1	024963	RESCF 1/4W 680 ohm 5%	R86
10	024965	RESCF 1/4W 1K 5%	R9,35,36,39,42,50,62 +67,83,100
1	024967	RESCF 1/4W 1.2K 5%	R56
1	024969	RESCF 1/4W 1.5K 5%	R108
3	024970	RESCF 1/4W 1.8K 5%	R8,10,12
4	024971	RESCF 1/4W 2.2K 5%	R48,49,52,53
2	026504	RESCF 1/4W 3.6K 5%	R24,26
5	024975	RESCF 1/4W 3.9K 5%	R11,21,22,57,93
1	024977	RESCF 1/4W 4.7K 5%	R98
1	025942	RESCF 1/4W 7.5K 5%	R46
10	024981	RESCF 1/4W 10K 5%	R15,16,19,28,88,90,92 +99,102,104
1	024985	RESCF 1/4W 15K 5%	R84
3	024987	RESCF 1/4W 22K 5%	R30,37,97
4	024988	RESCF 1/4W 27K 5%	R43,51,64,65
2	024989	RESCF 1/4W 33K 5%	R38,96
1	024991	RESCF 1/4W 39K 5%	R27
1	024993	RESCF 1/4W 47K 5%	R95
3	024995	RESCF 1/4W 68K 5%	R1,2,31
2	028153	RESCF 1/4W 75K 5%	R17,20
8	024997	RESCF 1/4W 100K 5%	R34,82,85,87,89,91 +109,110
2	024998	RESCF 1/4W 120K 5%	R33,101
2	024999	RESCF 1/4W 150K 5%	R18,94
1	025061	RESCF 1/4W 330K 5%	R32
3	025069	RESCF 1/4W 1MEG 5%	R3,40,41
2	027628	RESCF 2W 47 ohm 5%	R79,80
1	027627	RESCF 1W 10 ohm 5%	R81

FENDER BXR 300C

PARTS LIST PAGE 3 OF 5

*** PCB ASSEMBLY (CONTINUED) ***

QTY	PART #	DESCRIPTION	REFERENCE DESIGNATION
1	031900	RESCF 1/2W 15K 5%	R47
8	032958	RESWW 5W .33 ohm 10%	R71-78
1	032905	RESWW 10W 400 ohm 10%	R105
2	036596	RESWW 10W 680 ohm 10%	R106,107
4	033205	RESFF 1/4W 15 ohm 5%	R59,60,68,69
1	036379	RESMF 1/4W 23.7K 1%	R5
1	016971	RESMF 1/4W 33.2K 1%	R6
2	036380	RESMF 1/4W 750K 1%	R4,7
5	014171	SCREW M 4-40	SC1-5 (AT Q10,16-19)
4	029795	SCREW M 6-32x3/4	SC6-9 (AT Q21,26)
12	033051	SCREW M 6-32x1/2 (AT Q20)	SC10-21 (& Q22-25,27)
1	029697	SHIELD 6x1.25	SH1
16	025805	SLEEVE INSULATING 3/16"	SV1-16 (AT Q20-27)
4	036235	SPACER AL #6x3/4x3/4	SP1-4 (AT Q21,26)
1	032906	SWITCH, FAN	TS2
3	028091	SWITCH, DPDT	S2-4
1	026411	THERMISTOR	TH-1
1	029779	THERMOSTAT	TS-1
1	025674	TRIMPOT 1.5K	R55
4	015894	WASHER SPLIT #6	WH1-4 (AT Q21,26)
4	022376	WASHER FW #6	WH5-8 (AT Q21,26)
4	017746	WASHER NYLON	WH9-12 (AT Q16-19)
1	014689	XSTR N-CH JFET J111	Q3
5	016739	XSTR NPN 2N4401	Q1,2,14,29,30
1	025748	XSTR NPN 2SC1567	Q10
2	027745	XSTR NPN 2SC2336B	Q16,17
4	025751	XSTR NPN 2SC2362K	Q4-6,12
4	025744	XSTR NPN MJ15022	Q20,22,24,26
1	014867	XSTR NPN MPS-U10	Q13
2	016742	XSTR PNP 2N4403	Q15,28
2	027744	XSTR PNP 2SA1006B	Q18,19
3	025752	XSTR PNP 2SA1016K	Q7,8,11
4	025745	XSTR PNP MJ15023	Q21,23,25,27
1	014866	XSTR PNP MPS-U60	Q9
1	014408	XSTR PNP MPS-A63	Q31

*** CHASSIS ASSEMBLY ***

QTY	PART #	DESCRIPTION	REFERENCE DESIGNATION
1	036604	CHASSIS ASS'Y COMPLETE	CH1 (120V DOMESTIC)
1	036605	CHASSIS ASS'Y COMPLETE	CH1 (240V EXPORT)
1	036606	CHASSIS ASS'Y COMPLETE	CH1 (220V EXPORT)

FENDER BXR 300C

PARTS LIST PAGE 4 OF 5

*** CHASSIS ASSEMBLY (CONTINUED) ***

QTY	PART #	DESCRIPTION	REFERENCE DESIGNATION
1	036607	CHASSIS ASS'Y COMPLETE	CH1 (100V EXPORT)
1	036579	CHASSIS	CS1
1	036581	BAFFLE, AIR	BF1
1	032925	BRIDGE RECTIFIER MB354	BR1
1	026038	BUSHING, STRAIN-RELIEF	BS1 (AC CORD)
1	026541	CABLE ASS'Y POWER	LC1 (100/120V)
1	033331	CABLE ASS'Y POWER	LC1 (220/240V)
1	036580	COVER, BOTTOM	CV2
1	036229	FAN 3-1/8"	FA1
1	036684	GASKET	GG1
2	032900	JACK, 1/4" HI-CURRENT	J5,6
5	026089	KNOB, RED	KN1-5
6	016352	NUT, HEX 3/8-32	NT17-22 (AT JACKS)
6	069393	NUT, KEPS 6-32	NT23-28 (FAN/BRG/GND)
4	025819	NUT, KEPS 10-32	NT29-32 (POWER XFMR)
14	031189	SCREW M 4-40x1/4 UFH PHS	SC22-35 (CHS/BAF/COV)
7	031184	SCREW M 6-32x1/4 PH PHS	SC36-42 (PCB/CHASSIS)
2	033051	SCREW M 6-32x1/2 PH PHS	SC43,44 (HEATSK/CHAS)
5	015627	SCREW M 6-32x3/4 PH PHS	SC45-49 (FAN, BRIDGE)
4	025743	SCREW M 10-32x1/2 PH PHS	SC50-53 (POWER XFMR)
4	025804	STAND-OFF 6-32x1/2	ST1-4
1	026479	SWITCH, POWER	S1
1	036156	TRANSFORMER, POWER	T1 (DOMESTIC)
1	036157	TRANSFORMER, POWER	T1 (EXPORT)
6	031153	WASHER	WH13-18 (AT JACKS)
1	036601	WIRE SET	WS1 (DOMESTIC)
1	036602	WIRE SET	WS1 (EXPORT)

*** MISCELLANEOUS ***

QTY	PART #	DESCRIPTION	REFERENCE DESIGNATION
1	036582	CABINET ASS'Y COMPLETE	CB1
1	026570	CABINET COVERING, VYL BLK	CC1
4	023505	CASTER MTG PLATE	CT1-4
8	026462	CORNER 3 HOLE	CN1-8
22	025737	FASTON .250	FT1-22 (FOR WSI)
2	031670	FASTON .187	FT23,24 (FOR WSI)
4	027849	GLIDE 1.24x.335	LG1-4
4	019275	GLIDE CUSHION INSERT	GL1-4
1	036583	GRILLE FRAME ASS'Y	GF1
1	026319	GRILLE CLOTH, GRAY	GC1
2	014151	HANDLE HOUSING	HH1

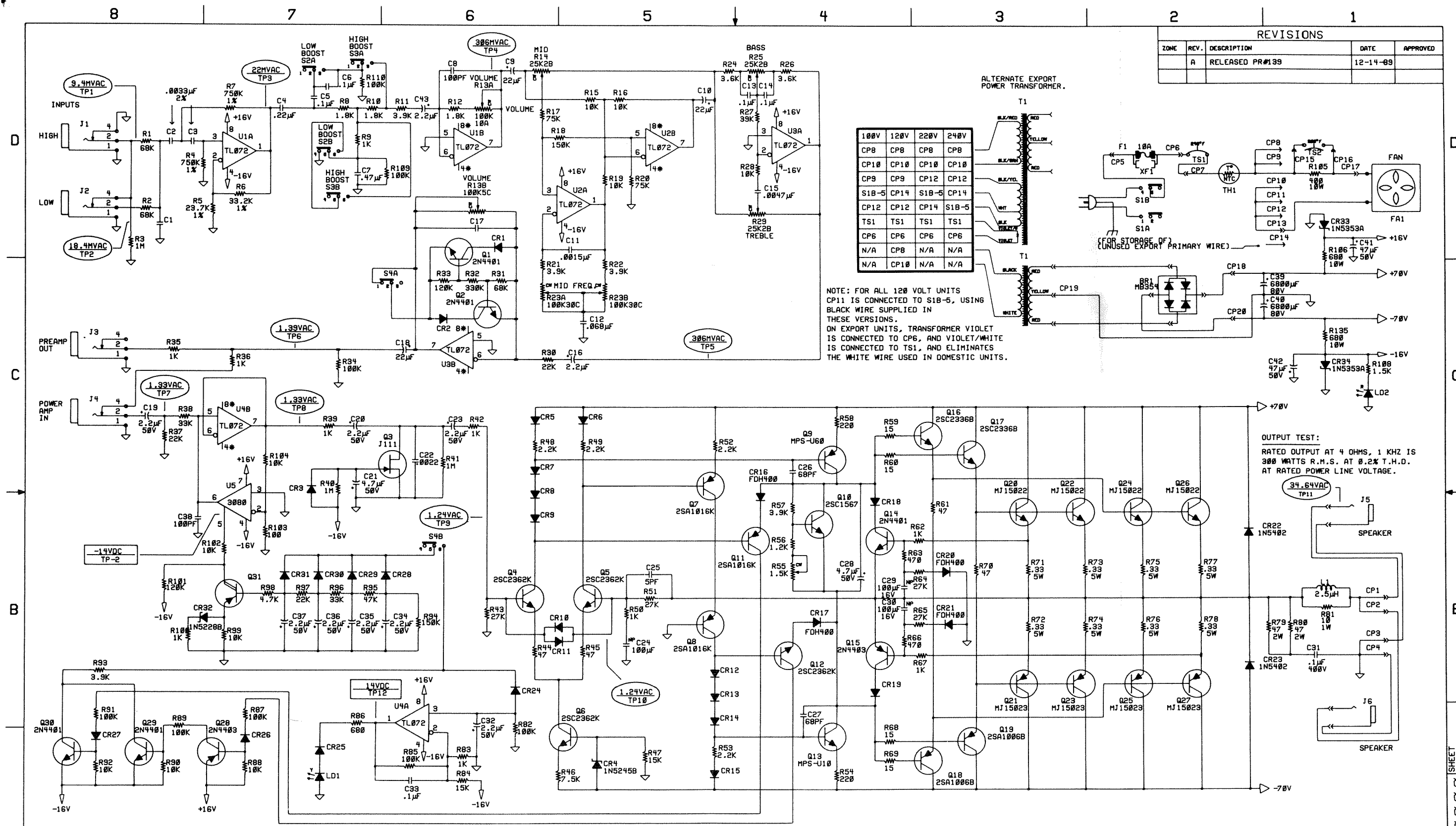
FENDER BXR 300C

PARTS LIST PAGE 5 OF 5

*** MISCELLANEOUS (CONTINUED) ***

QTY	PART #	DESCRIPTION	REFERENCE DESIGNATION
2	014150	HANDLE	HD1
1	026325	NAME PLATE	NP1
20	026576	SCREW SMA 8x5/8 TH	SC54-73 (CORNER MTG)
20	016627	SCREW SMA 8x3/4 OHP	SC74-93 (HANDLE MTG)
4	026625	SCREW WOOD 8x1 FH	SC94-97 (GLIDE MTG)
16	027199	SCREW SMAB 10x7/8 PHP	SC98-113 (CASTER PLT)
8	029505	SCREW M 10-32x1-1/4 PH	SC114-121 (SPEAKER)
4	029905	SCREW M 8-32x1-7/8 OH	SC122-125 (CHASSIS)
3	022152	SCREW SMA 3x1/2 OHP	SC125-127 (NAME PLT)
1	027577	SPEAKER 15" 8 OHM	SP1
1	035295	SPEAKER CABLE 24"	CL1
4	029527	WASHER FIN #8	WH19-22
1	036600	OWNERS MANUAL	OM1
1	034910	SCHEMATIC/SERVICE DIAGRAM	SM1

REVISIONS				
ZONE	REV.	DESCRIPTION	DATE	APPROVED
	A	RELEASED PR#139	12-14-89	



NOTE: FOR ALL 120 VOLT UNITS CP11 IS CONNECTED TO S1B-5, USING BLACK WIRE SUPPLIED IN THESE VERSIONS. ON EXPORT UNITS, TRANSFORMER VIOLET IS CONNECTED TO CP6, AND VIOLET/WHITE IS CONNECTED TO TS1, AND ELIMINATES THE WHITE WIRE USED IN DOMESTIC UNITS.

OUTPUT TEST:
RATED OUTPUT AT 4 OHMS, 1 KHZ IS 300 WATTS R.M.S. AT 0.2% T.H.D. AT RATED POWER LINE VOLTAGE.

NOTES: UNLESS OTHERWISE SPECIFIED.

- ALL RESISTORS 1/4 W, ± 5%.
- ALL CAPACITORS 63 VOLT MINIMUM.
- DC VOLTAGES READ TO GROUND WITH A D.V.M., AND NO SIGNAL APPLIED, AT RATED LINE VOLTAGE.
- AC VOLTAGES READINGS TAKEN WITH A D.V.M., TO GROUND UNDER THE FOLLOWING CONDITIONS:
 - 2.0 KHZ INPUT, "ENHANCE" BUTTONS IN, TREBLE, MID, AND BASS AT 10:00 O'CLOCK.
 - 4 OHM DUMMY LOAD, CONNECTED BETWEEN CP1, AND CP2.
 - FULL POWER RATED AT 350 WATT WITH T.H.D. ≤ 0.2% AT RATED POWER LINE VOLTAGE.
 - VOLTAGE AT TP-3 IS WITH OUTPUT BELOW CLIPPING, OR COMPRESSION.
- TO ADJUST BIAS, CONNECT A D.V.M. BETWEEN OUTSIDE LEAD OF R62, (VOLTMETER POS.) AND THE OUTSIDE LEAD OF R71, (VOLTMETER NEG). ADJUST R55 SO THAT 0.01 VOLTS IS INDICATED WITH THE HEATSINK COLD. (SEE SERVICE DIAGRAM)
- LAST INSTANCES: C43, CP20, CR34, FA1, Q31, R110, S4, T1, U5, F1, XF1, LD2
- ALL CR ARE 1N4448 UNLESS OTHERWISE NOTED.

DATABASE FILE: BXR300S.DBF CHECKED BY: DATE: APPROVED: DATE:	PROPRIETARY THIS DRAWING CONTAINS INFORMATION WHICH IS PROPRIETARY TO AND IS THE PROPERTY OF THE FENDER MUSICAL INSTRUMENTS CO. AND MAY NOT BE USED, REPRODUCED OR DISCLOSED IN ANY MANNER WITHOUT THE EXPRESSED WRITTEN CONSENT FROM: FENDER MUSICAL INSTRUMENTS CO. 1130 COLUMBIA STREET BREA, CALIFORNIA 92621 MADE IN U.S.A.	MUSICAL INSTRUMENTS 1130 Columbia Street Brea, Ca. 92621 TITLE: SCHEMATIC BXR300 AMPLIFIER SIZE: D DRAWN: HUGHES ENGR: HUGHES DRAWING NUMBER: 034905 REV: A SCALE: DATE: 8-28-88 SHEET 1 OF 1
---	--	--

PART NO 0034910000 1 OF 1 SHEET

6

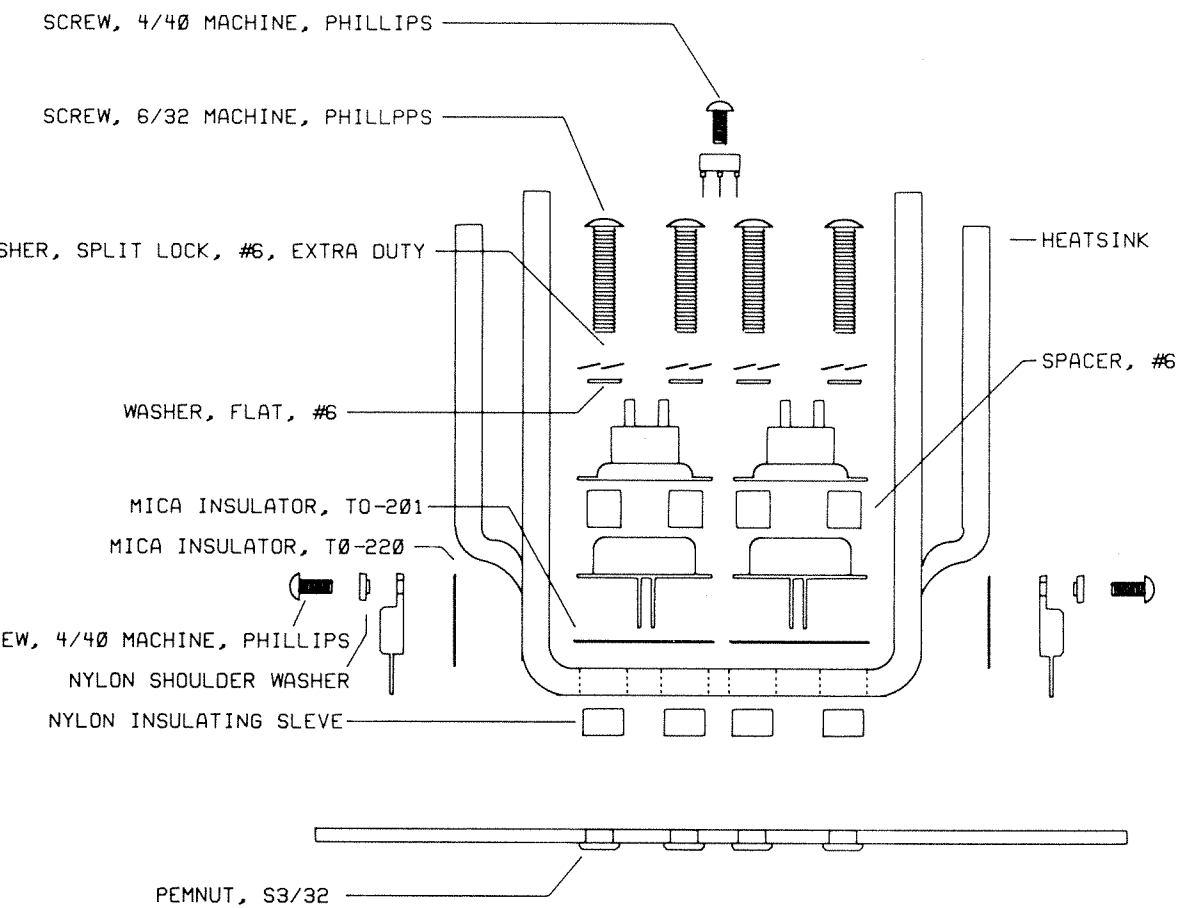
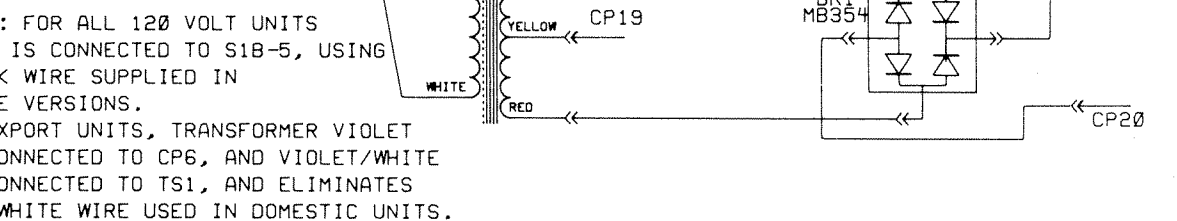
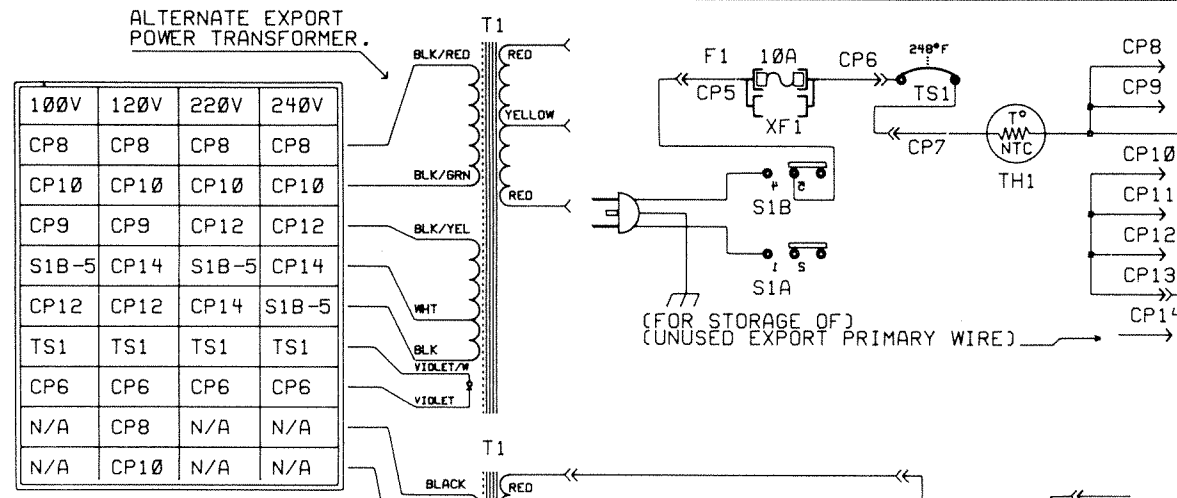
5

4

3

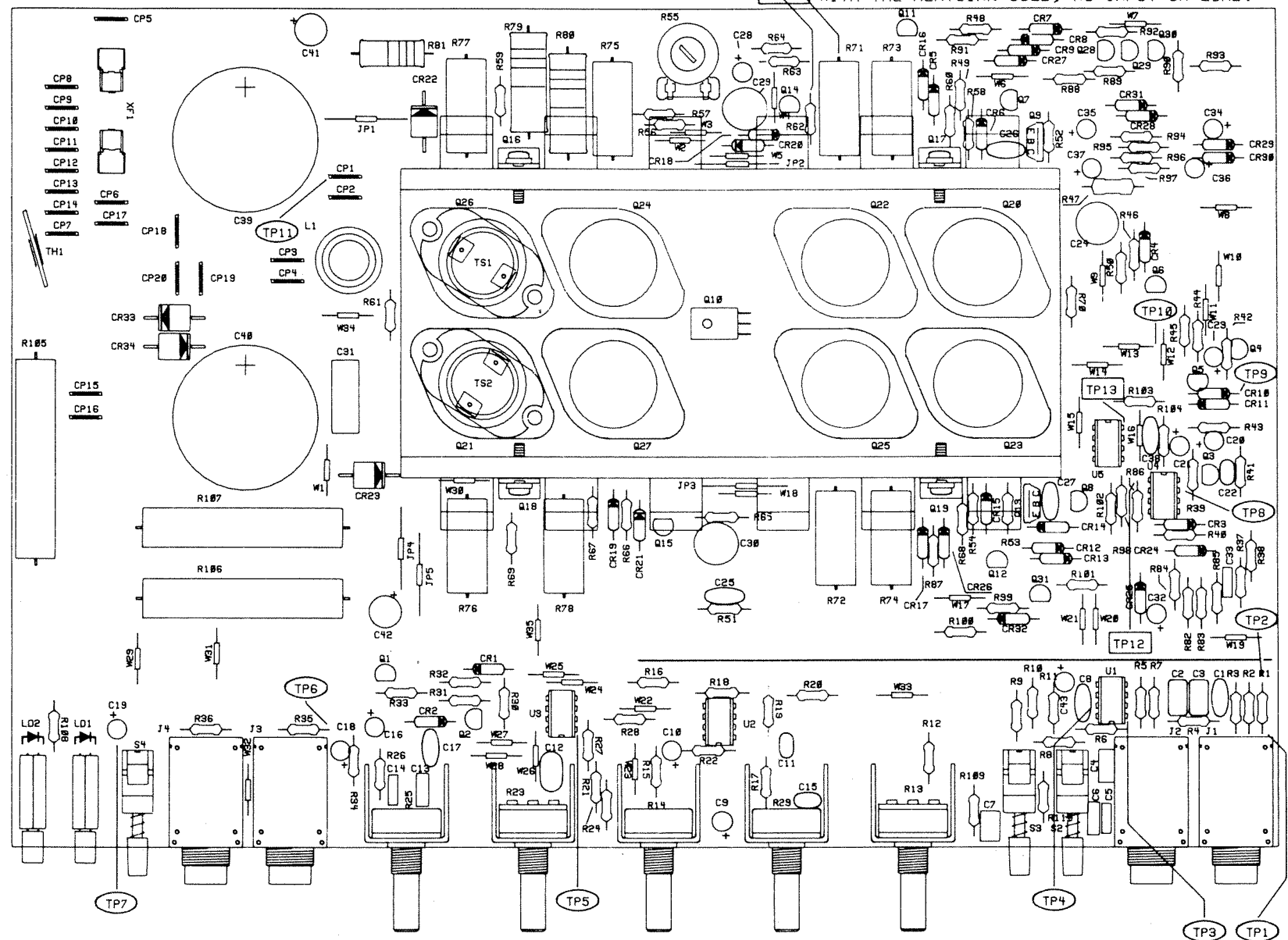
2

1



REVISIONS				
ZONE	REV.	DESCRIPTION	DATE	APPROVED
	A	RELEASED PR#139	12-15-89	
	B	EC#569	3-5-90	

TO ADJUST BIAS, CONNECT A D.V.M. BETWEEN THE OUTSIDE LEAD OF R62 (VOLTMETER POS.) AND THE OUTSIDE LEAD OF R71 (VOLTMETER NEG.) ADJUST R55 SO THAT 0.01 VOLT IS INDICATED WITH THE HEATSINK COLD, NO INPUT OR LOAD.



DATABASE FILE: BXR300PS.DBF	
CHECKED BY:	
DATE:	
APPROVED:	
DATE:	
TOLERANCES: UNLESS OTHERWISE NOTED	
X.X	±0.050"
X.XX	±0.010"
X.XXX	±0.005"
ANGLES	±0.500°

PROPRIETARY
THIS DRAWING DOCUMENT CONTAINS INFORMATION WHICH IS PROPRIETARY TO AND IS THE PROPERTY OF THE FENDER MUSICAL INSTRUMENTS CO. AND MAY NOT BE USED, REPRODUCED OR DISCLOSED IN ANY MANNER WITHOUT THE EXPRESSED WRITTEN CONSENT FROM:
FENDER MUSICAL INSTRUMENTS CO.
1130 COLUMBIA ST.
BREA, CALIFORNIA 92621
JUST "SHUT YOUR MOUTH" AND FIX THE AMP.
NEXT HIGHER ASSEMBLY:

Fender MUSICAL INSTRUMENTS
1130 Columbia Street
Brea, Ca. 92621

TITLE: SERVICE DIAGRAM
BXR300 BASS AMPLIFIERS

SIZE	DRAWN: HUGHES	DRAWING NUMBER	RFV.
B	ENGR: HUGHES	034909B	

SCALE: DATE: 12-15-89 SHEET 1 OF 1

6

5

4

3

2

1