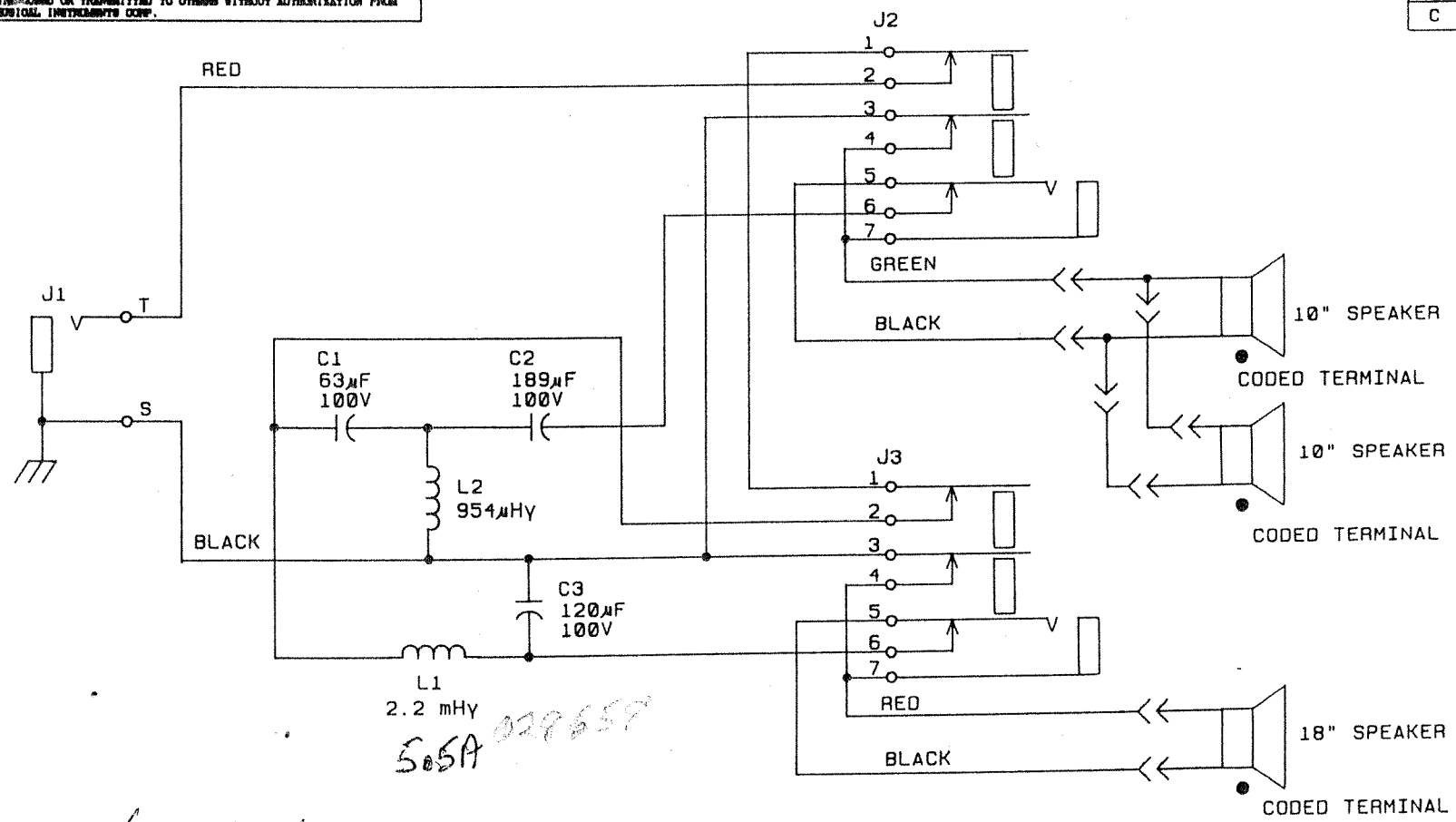


THIS DOCUMENT CONTAINS INFORMATION OF A PROPRIETARY NATURE TO FENDER MUSICAL INSTRUMENTS AND IS SUBMITTED TO YOU IN CONFIDENCE AND SHALL NOT BE DISCLOSED OR TRANSMITTED TO OTHERS WITHOUT AUTHORIZATION FROM FENDER MUSICAL INSTRUMENTS CORP.


REV.		BY	DATE
B	REDRAWN EC 605	BW	5-14-90
C	EC666	BB	10-20-90



505A 028659

T/N NOV'90

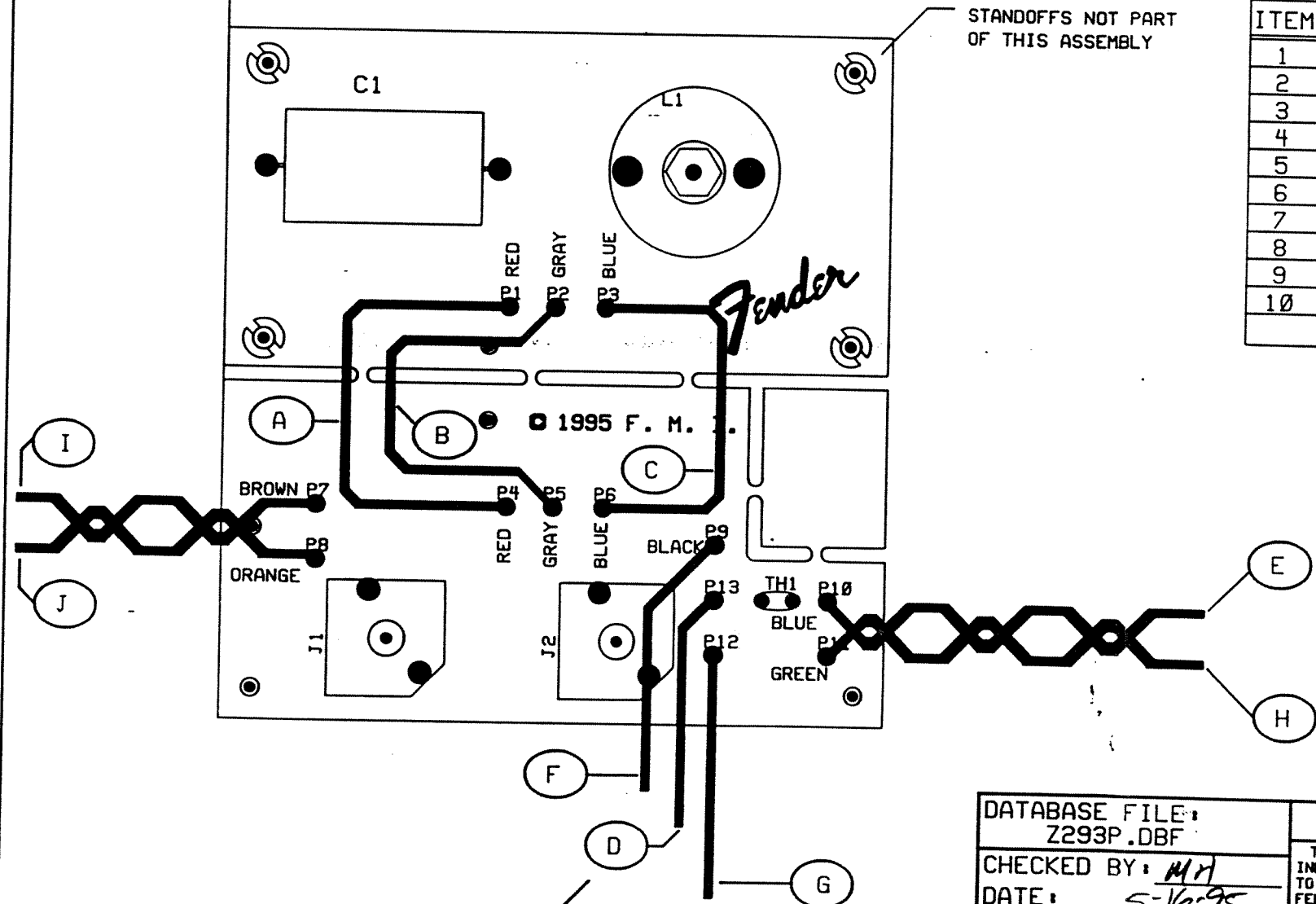
NOTES: UNLESS OTHERWISE SPECIFIED.

DRAWN	BW	 FENDER MUSICAL INSTRUMENTS CORP. BREA, CALIFORNIA 92621			
DATE	5-14-90				
CHECKED	<i>[Signature]</i>	TITLE			
DATE	12-4-90	SCHEMATIC SPECTRUM CROSSOVER			
APPROVED	<i>[Signature]</i>	DISK	SIZE	PART/DRAWING NUMBER	REV.
DATE	12-4-90	A: 415	B	026727	C
		SCALE	N/A		

REVISIONS

ZONE	REV.	DESCRIPTION	DATE	APPROVED
	A	RELEASED PR293	1-31-95	
	B	EC 1475	4-26-95	MM

FILM/DWG: ASSEMBLY
 DATABASE: Z293P.DBF DATE: 27-APR-95
 LAYERS PLOTTED: 1 2 3 4 5 10
 15 16 19



STANDOFFS NOT PART OF THIS ASSEMBLY

ITEM	QTY	FENDER P/N	DESCRIPTION	NOTES
1	1	036377	CAP MA 100V 10uF 10%	C1
2	1	028640	INDUCTOR 150uH	L1
3	2	029175	JACK PHONO	J1, J2
4	1	048979	PCB FAB BXR 210H/410H	
5	1	048981	WIRESET BXR 210H/410H	
6	1	029468	WASHER LAM 8-1/2	at INDUCTOR
7	1	049526	SCREW 4-40 1-1/4" PHP SS	at INDUCTOR
8	1	049527	WASHER FLAT #4 SS	at INDUCTOR
9	1	097360	HEX NUT EXLOCK	at INDUCTOR
10	1	049950	PTC RXE010	TH1

NOTES:

- USE RTV SILICON RUBBER COMPOUND TO ADHERE C1 AND L1 TO PCB.
- SECURE FLY WIRES TO PCB USING TIE WRAPS.
- LETTERS IN BALLOON CALLOUTS REFER TO PCB WIRESET DRAWING ITEMS.

DATABASE FILE: Z293P.DBF
 CHECKED BY: MM
 DATE: 5-16-95
 APPROVED: MS
 DATE: 5-16-95
 TOLERANCES: UNLESS OTHERWISE NOTED
 X.X ±0.050"
 X.XX ±0.010"
 X.XXX ±0.005"
 ANGLES ±0.500°

PROPRIETARY
 THIS DRAWING DOCUMENT CONTAINS INFORMATION WHICH IS PROPRIETARY TO AND IS THE PROPERTY OF THE FENDER MUSICAL INSTRUMENTS CO. AND MAY NOT BE USED, REPRODUCED OR DISCLOSED IN ANY MANNER WITHOUT THE EXPRESSED WRITTEN CONSENT FROM:
 FENDER MUSICAL INSTRUMENTS CO.
 REGIONAL HEADQUARTERS
 2621 RESEARCH DRIVE
 CORONA, CA 91720 USA
 HI HDS
 NEXT HIGHER ASSEMBLY:

Fender MUSICAL INSTRUMENTS
 2621 Research Drive
 Corona, CA 91720 USA

TITLE: ASSEMBLY DRAWING
 BXR CROSSOVER P.C.B.

SIZE	DRAWN: M.COZZA	DRAWING NUMBER	REV.
B	ENGR: M.COZZA	048980	B

SCALE: CREATED: 21-NOV-94
 PLOTTED: 27-APR-95 SHEET 1 OF 1