

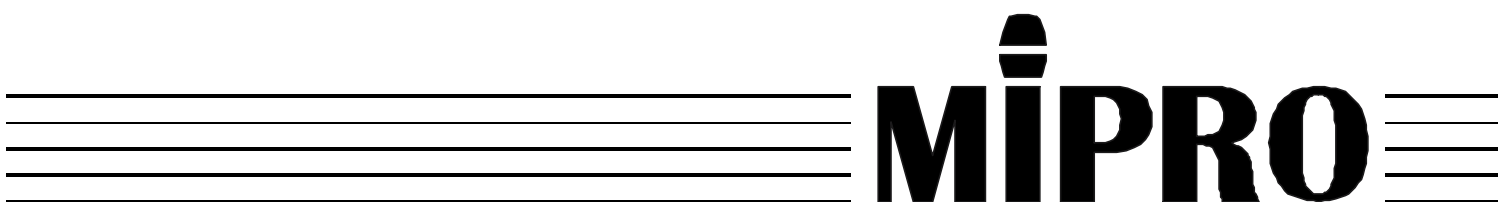
Version: 1PR020A
Date: APR.15.2003

SERVICE MANUAL

BEYERDYNAMIC : NE100S

MIPRO : MR-518

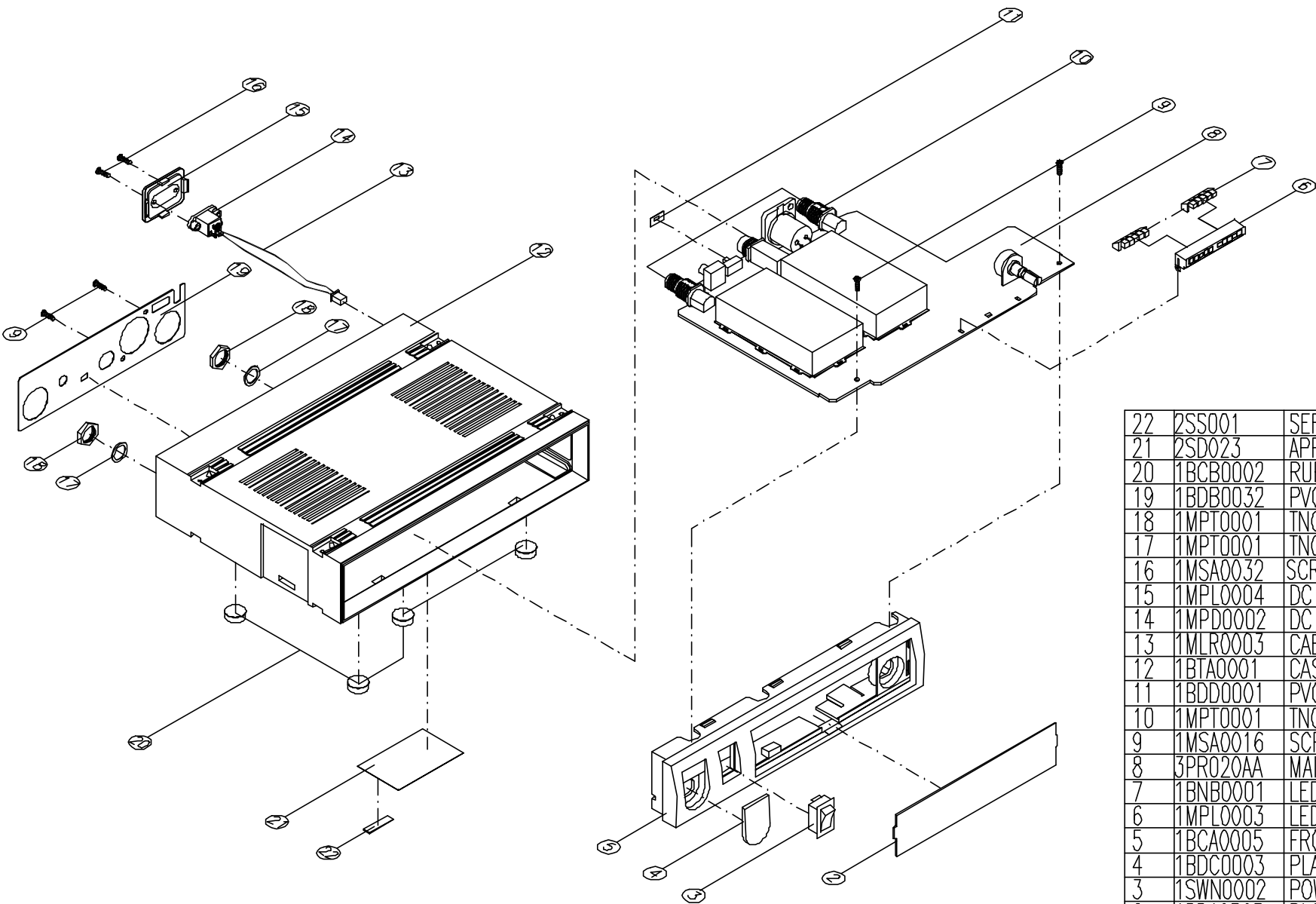
TRUE DIVERSITY RECEIVER

The logo features the word "MIPRO" in a bold, sans-serif font. The letter "i" has a unique dot that resembles a microphone. The text is centered between two sets of three horizontal lines, one on the left and one on the right.

MIPRO

SPECIFICATIONS FOR NE100S RECEIVER

ITEM	SPECIFICATIONS
1. FREQUENCY RANGE	174.0 ~ 216.0MHz
2. FREQUENCY STABILITY	$\pm 0.005\%$ $0^\circ \sim +50$
3. SENSITIVITY	+12 dB μ V FOR >80dB S/N
4. IMAGE REJECTION	>63dB
5. SPURIOUS REJECTION	>80dB
6. INTERMODULATION REJECTION (S/N:30dB THREE SG MODE)	>63dB
7. ADJACENT CHANNEL REJECTION (WHEN MISTUNED BY 350KHz)	>80dB
8. SPURIOUS EMISSIONS	<-75dBm
9. SQUELCH , ADJUSTABLE	12dB μ V - 45dB μ V
10. DE-EMPHASIS	50 μ s
11. FREQUENCY RESPONSE	50Hz TO 15KHz ± 3 dB
1. DISTORTION	LESS THAN 0.5% (AT 1KHz)
12. ULTIMATE S/N	100dB MIN
13. OUTPUT LEVEL	UNBALANCE : 870mV RMS open load BALANCE : 300mV RMS open load
14. POWER SUPPLY	DC 12-15V
15. CURRENT DRAIN	APPROX. 250mA
16. DIMENSION (m/m)	210(L) \times 170(W) \times 44(H)
17. WEIGHTS	APPROX. 650g
18. ENVIRONMENTAL	FULL SPECS -10 $^\circ$ ~ 60



22	2SS001	SERVI
21	2SD023	APPR
20	1BCB0002	RUBI
19	1BDB0032	PVC
18	1MPT0001	TNC
17	1MPT0001	TNC
16	1MSA0032	SCRE
15	1MPL0004	DC S
14	1MPD0002	DC
13	1MLR0003	CABL
12	1BTA0001	CASE
11	1BDD0001	PVC
10	1MPT0001	TNC
9	1MSA0016	SCRE
8	3PRO20AA	MAIN
7	1BNB0001	LED
6	1MPL0003	LED
5	1BCA0005	FRON
4	1BDC0003	PLAT
3	1SWN0002	POW
2	1BDA0363	PLAT
1	1BDA0363	PLAT

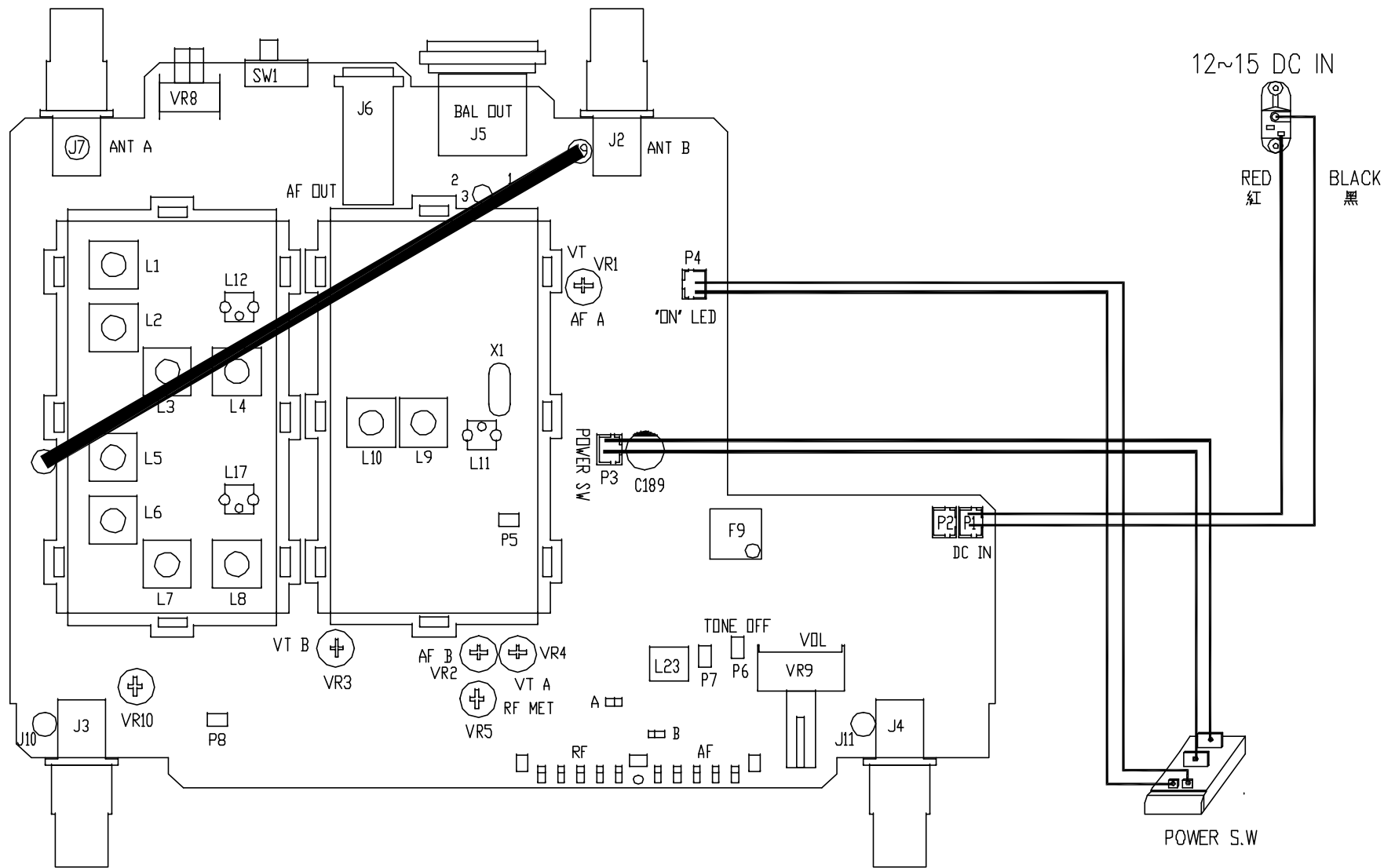
Drahtlos-Systeme

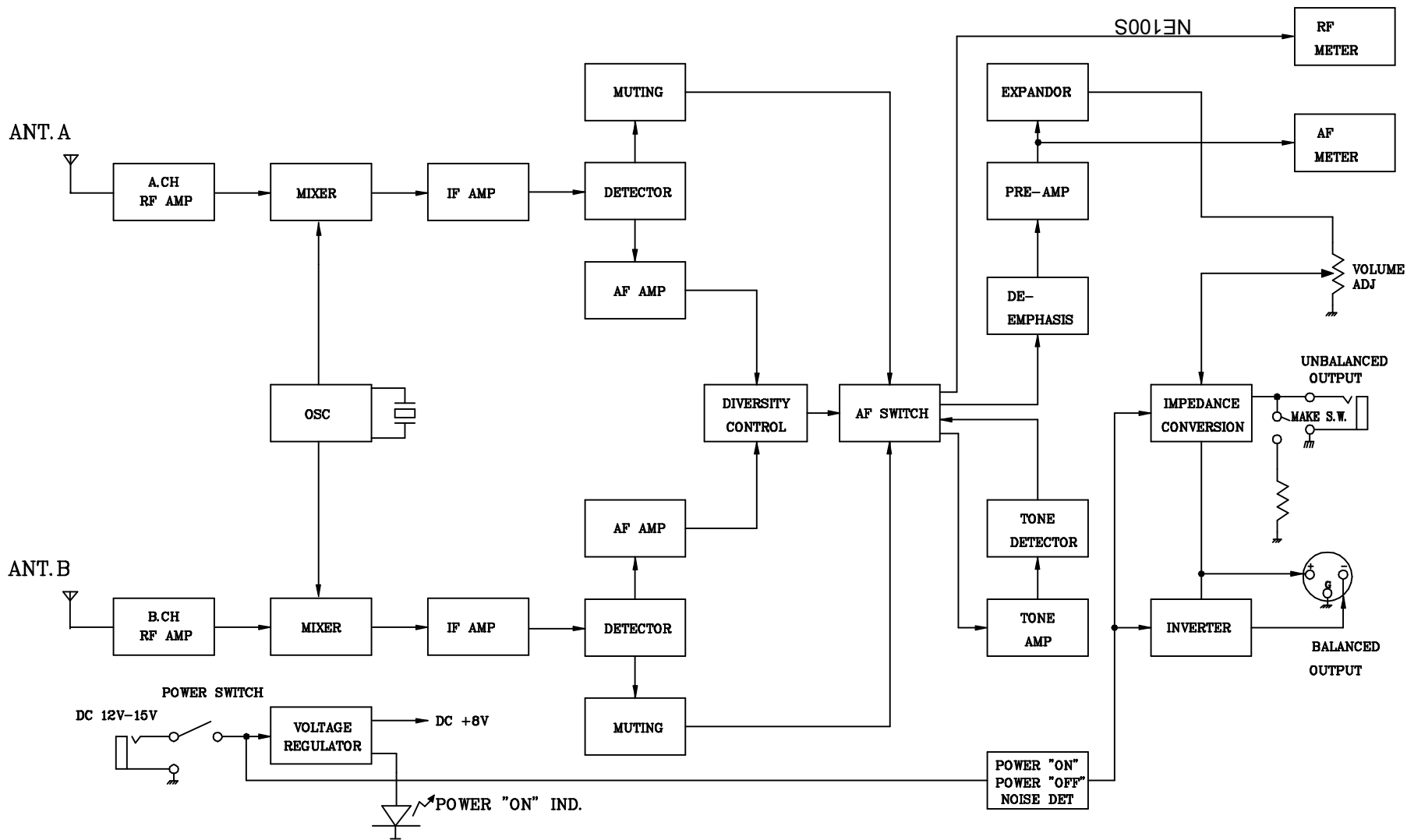
Opus 100 MK II VHF Diversity

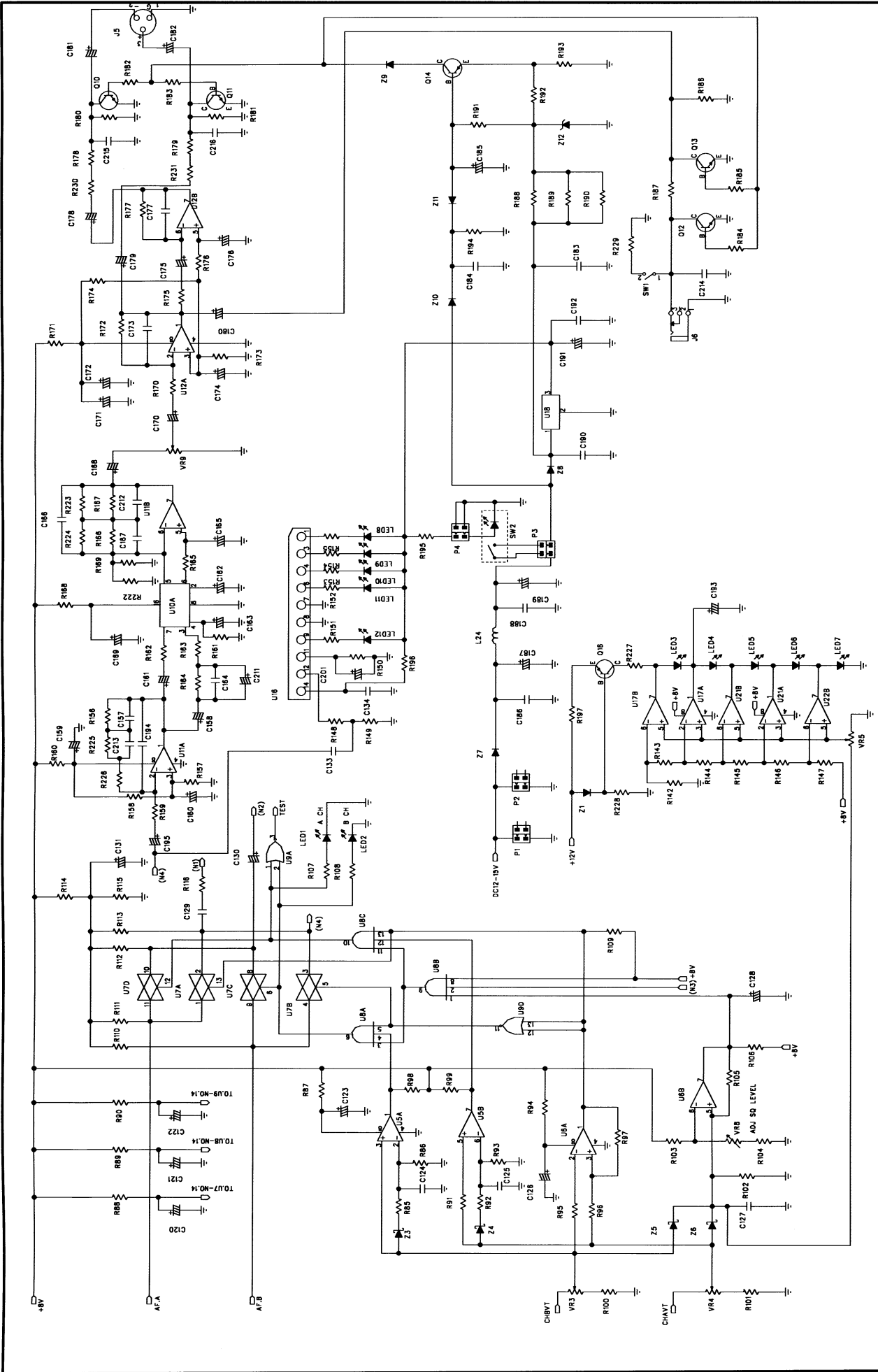


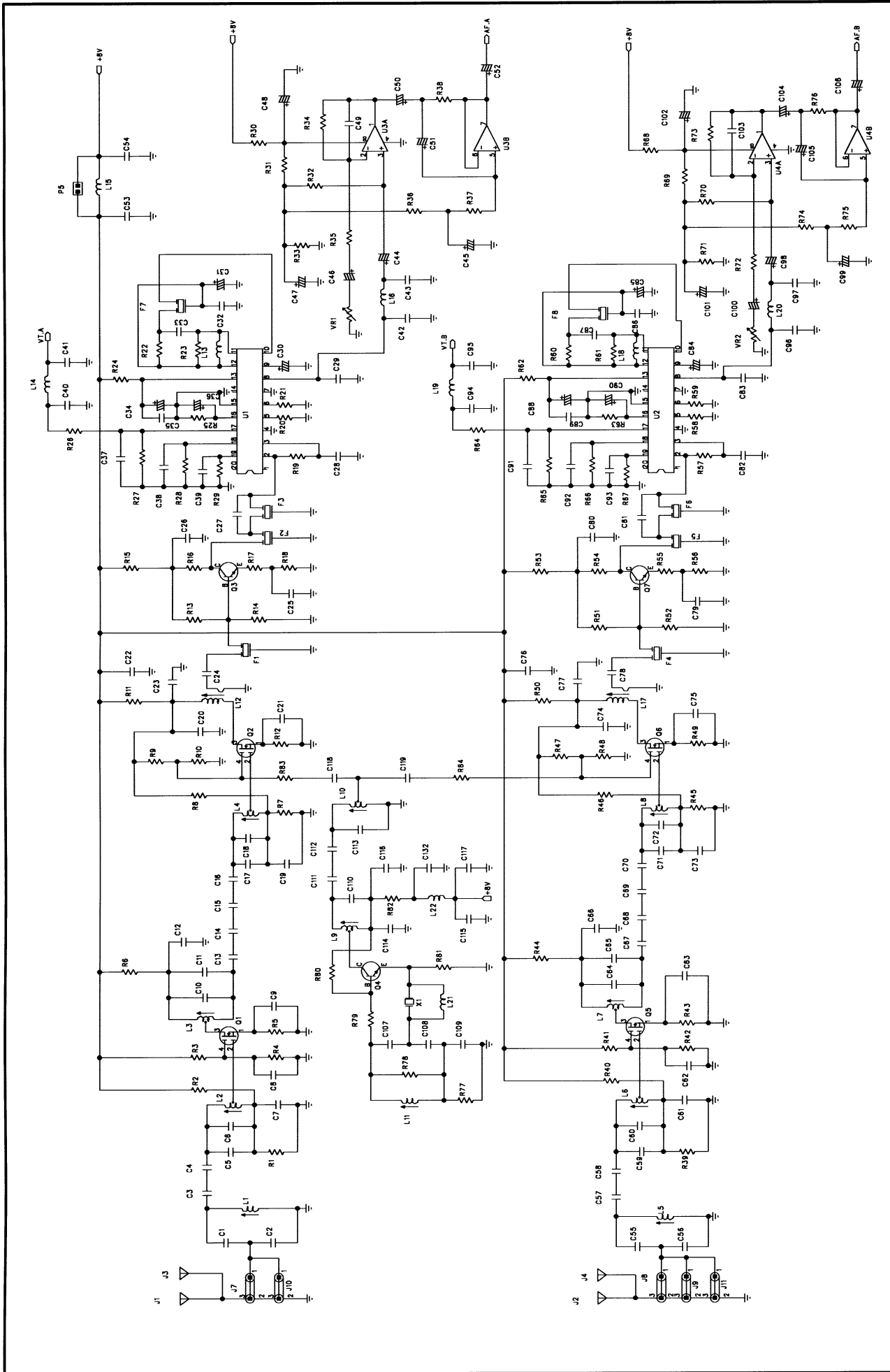
Model NE 100S

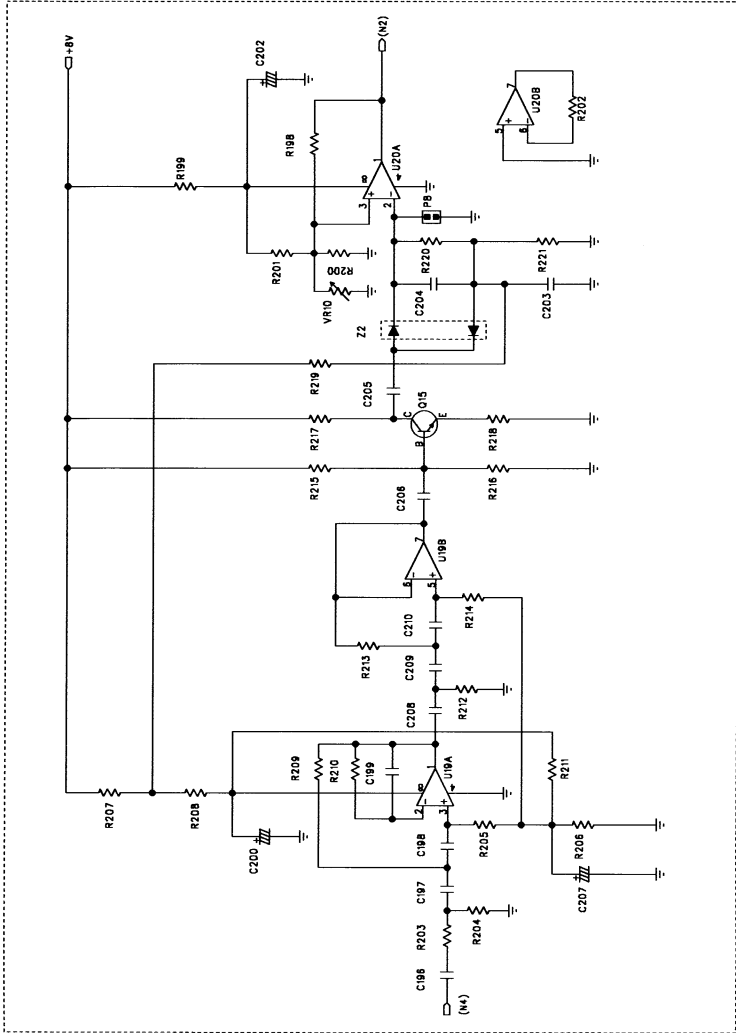
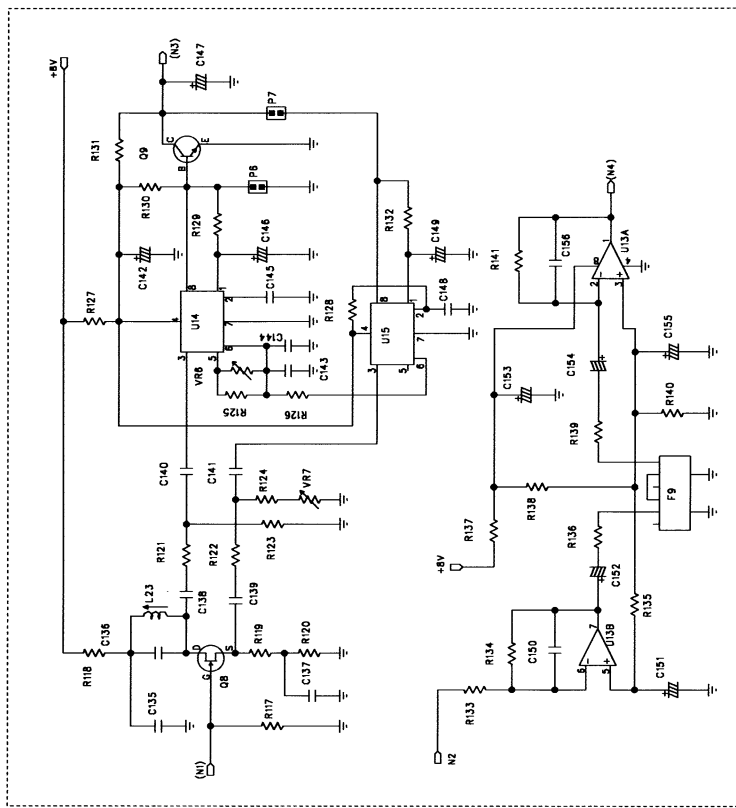
Pos.	ET-Nr./spares number	Bezeichnung	description	
2	1BDA0363	front glas	ornament plate	NE100S
3	1SWN0002	Netzschalter	switch	NE100S
4	1BDC0003	Abdeckplatte	plate	NE100S
5	1BCA0005	Front panel	front panel	NE100S
8	495980	Hauptplatine 174,100 MHz	main PCB	NE100S
8	495999	Hauptplatine 175,000 MHz	main PCB	NE100S
8	496006	Hauptplatine 184,000 MHz	main PCB	NE100S
8	496014	Hauptplatine 198,250 MHz	main PCB	NE100S
8	496022	Hauptplatine 199,700 MHz	main PCB	NE100S
8	496103	Hauptplatine 202,400 MHz	main PCB	NE100S
8	496111	Hauptplatine 213,400 MHz	main PCB	NE100S
8	496138	Hauptplatine 231,600 MHz	main PCB	NE100S
8	496146	Hauptplatine 239,200 MHz	main PCB	NE100S
9	1MSA0016	Schraube	screw	NE100S
10	1MPT0001	TNC Buchse	TNC socket	NE100S
12	1BTA0001	Gehäuse	case	NE100S
14	1MPD002	DC Buchse	DC jack	NE100S
16	1MSA0032	Schraube	screw	NE100S
	2DA013	Steckernetzteil 500mA	power supply	NE100S
	459941	Stabantenne	antenna	NE100S

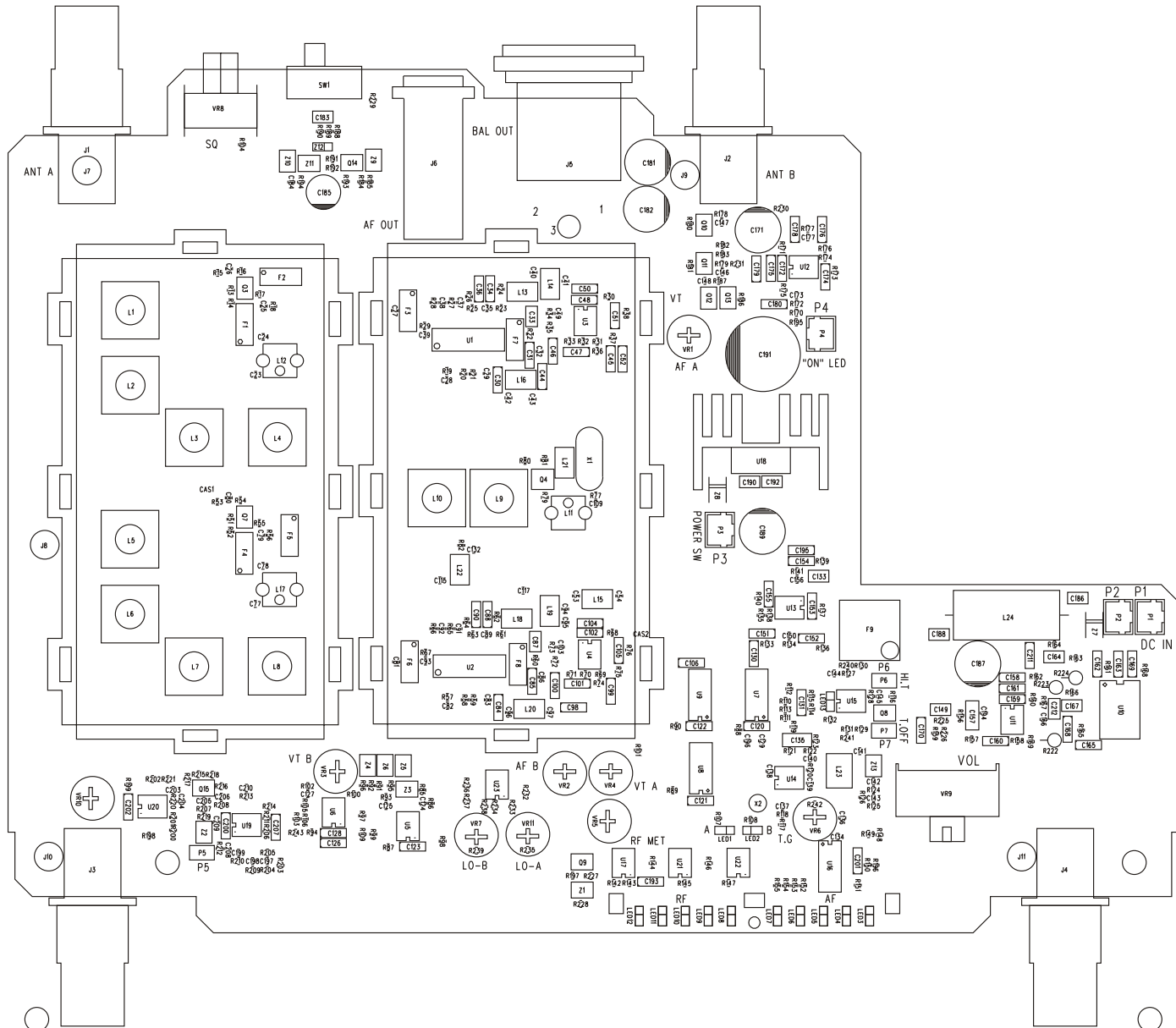






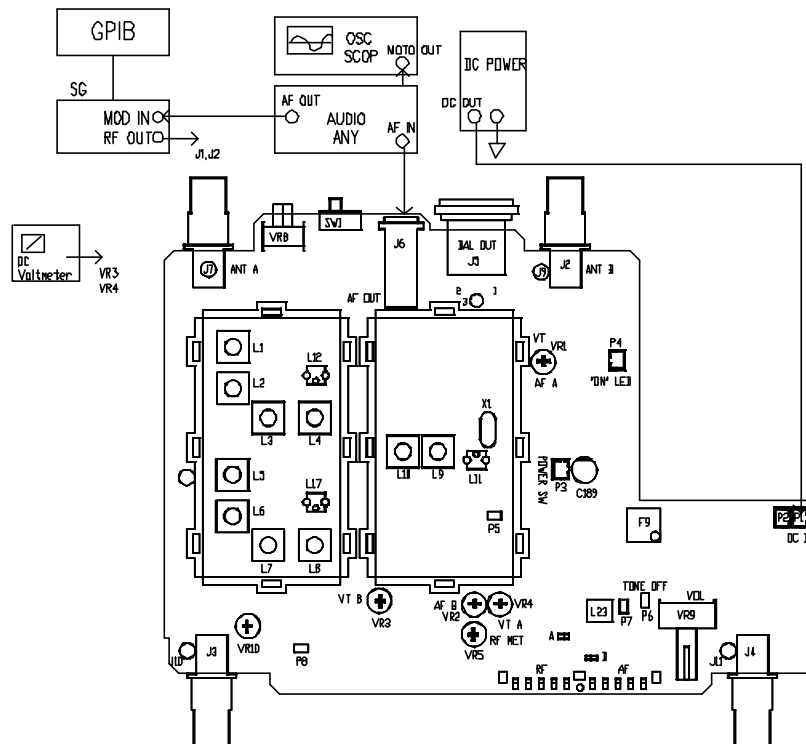






TEST AND ALIGNMENT INSTRUCTIONS

、 Measuring instruments and test set-up



、 Pre-set

A. RF Signal Generator

- (1) 50dBuV OUTPUT Power
- (2) EXT. Modulation "ON"
- (3) INT Modulation "ON" and INT AF set to
32.768KHz
- (4) FM1 DEV : 15KHz
FM2 DEV : 3KHz

B. Audio analyzer

- (1) AF OUT 400Hz, 13.3dBV
- (2) 100Hz High PASS "ON"
- (3) 20K LOW PASS "ON"

C. Dc power supply

- (1) 12V OUT

D. VR8 turn full CW (SQ)

TEST AND ALIGNMENT INSTRUCTIONS

NO	MEASUREMENT ADJUSTMENT	SIGNAL INPUT	PREPARATION UNIT SETTING	TESTPOINT	ADJUSTER	NORMAL VALUE
1	RF-INPUT CIRCUIT	SG : 50dB μ V	DC Voltmeter	CHA \Rightarrow VR4 CHB \Rightarrow VR3	CHA:L1 \Rightarrow L2 \Rightarrow L3 \Rightarrow L4 \Rightarrow L9 \Rightarrow L10 \Rightarrow L11 \Rightarrow L12 CHB:L5 \Rightarrow L6 \Rightarrow L7 \Rightarrow L8 \Rightarrow L17	Max. DC
2	RF-INPUT CIRCUIT	SG : 12dB μ V	DC Voltmeter	CHA \Rightarrow VR4 CHB \Rightarrow VR3	CHA:L1 \Rightarrow L2 \Rightarrow L3 \Rightarrow L4 \Rightarrow L9 \Rightarrow L10 \Rightarrow L11 \Rightarrow L12 CHB:L5 \Rightarrow L6 \Rightarrow L7 \Rightarrow L8 \Rightarrow L17	Max. DC
3	LOCAL OSCILLATOR	SG : 12dB μ V	DC Voltmeter	CHA \Rightarrow VR4 CHB \Rightarrow VR3	L11	Max. DC >1.3V
4	SQUELCH	SG : 12dB μ V	AF LED		CHA \Rightarrow VR4 CHB \Rightarrow VR3	SG : \pm 2dB AF LED just light
5	AUDIO LEVEL	SG : 60dB μ V AFG : 400Hz	audio analyzer	J6	CHA \Rightarrow VR1 CHB \Rightarrow VR2	870mV \pm 20mV
6	THD	SG : 60dB μ V AFG : 400KHz	audio analyzer	J6	CHA \Rightarrow L11 CHB \Rightarrow L11	0.5%
7	AUDIO FREQUENCY RESPONSE	SG : 60dB μ V AFG : 10KHz	audio analyzer	J6		-22dB \pm 2dB
8	AF LEVEL METER	SG : 60dB μ V DEF : 13KHz AFG : 400Hz	AF LED			AF LED BRIGHT \pm 2K DEF
9	RF LEVEL METER	SG : 60dB μ V AFG : 400Hz	RF LED		VR5	RF LED BRIGHT \pm 2 dB
10	BALANCE LEVEL	SG : 60dB μ V AFG : 400Hz	audio analyzer	J5		300mV \pm 15mV
11	TONE "ON"	SG : 2.5K DEF	AF LED		TONE L23	2.5K DEF AF LED just light
12	TONE "OFF"	SG : 1.5K DEF	AF LED			1.5K DEF RF LED just snuff
13	S/N-RATIO	SG : 60dB μ V DEF : 15KHz AFG : 400Hz	audio analyzer	J6		100dB S/N
14	Sensitivity	SG : 12dB μ V DEF : 15KHz AFG : 400Hz	audio analyzer	J6		80dB S/N
15	CURRENT CONSUMPTION	DC power supply \Rightarrow 12V 1A	current meter	P1		250mA \pm 30mA
16	NOISE SQ	SG : 12dB μ V	AF LED		VR10	AF LED just light
17	MAKE LEVEL	SG : 60dB μ V AFG : 400Hz SW1 \Rightarrow LOW	audio analyzer	J6		90mV \pm 15mV

PART LIST

DATE : May.20 2002

NO: R518P01B

MODEL : NE100S		CIRCUIT : 1CR020AA (R020A9)	
Computer No.	Reference	Value	
C1	C1	C1	
C2	C2	C2	
C3	C3	C3	
C4	C4	C4	
C5	C5	C5	
C6	C6	C6	
1CCS6X103	C7	103P	
1CCS6X103	C8	103P	
1CCS6X103	C9	103P	
C10	C10	C10	
C11	C11	C11	
1CCS6X103	C12	103P	
1CCS6P000	C13	0.5P	
1CCS6P000	C14	0.5P	
C15	C15	C15	
C16	C16	C16	
C17	C17	C17	
C18	C18	C18	
1CCS6X103	C19	103P	
1CCS6X103	C20	103P	
1CCS6X103	C21	103P	
1CCS6X103	C22	103P	
1CCS6X223	C23	223P	
1CCS6X223	C24	223P	
1CCS6X223	C25	223P	
1CCS6X223	C26	223P	
1CCS6X103	C27	103P	
1CCS6X223	C28	223P	
1CCS6P101	C29	100P	
1CTSBA105	C30	1uF/16V	
1CTSBA225	C31	2.2uF/16V	
1CCS6X223	C32	223P	

PART LIST

DATE : May.20 2002

NO: R518P01B

MODEL : NE100S		CIRCUIT : 1CR020AA (R020A9)	
Computer No.	Reference	Value	
1CCS8S056	C33	56P(N750)	
1CTSAA106	C34	10uF/10V	
1CCS6X103	C35	103P	
1CTSBA105	C36	1uF/16V	
1CCS6X103	C37	103P	
1CCS6X223	C38	223P	
1CCS6X102	C39	102P	
1CCS6P101	C40	100P	
1CCS6P101	C41	100P	
1CCS6P033	C42	33P	
1CCS6P033	C43	33P	
1CTSAA475	C44	4.7uF/10V	
1CTSAA475	C45	4.7uF/10V	
1CTSAA475	C46	4.7uF/10V	
1CTSAA475	C47	4.7uF/10V	
1CTSAA475	C48	4.7uF/10V	
1CCS6P015	C49	15P	
1CTSBA105	C50	1uF/16V	
1CTSDA474	C51	0.47uF/35V	
1CTSAA475	C52	4.7uF/10V	
1CCS6X103	C53	103P	
1CCS6X103	C54	103P	
C55	C55	C55	
C56	C56	C56	
C57	C57	C57	
C58	C58	C58	
C59	C59	C59	
C60	C60	C60	
1CCS6X103	C61	103P	
1CCS6X103	C62	103P	
1CCS6X103	C63	103P	
C64	C64	C64	

PART LIST

DATE : May.20 2002

NO: R518P01B

MODEL : NE100S		CIRCUIT : 1CR020AA (R020A9)	
Computer No.	Reference	Value	
C65	C65	C65	
1CCS6X103	C66	103P	
1CCS6P000	C67	0.5P	
1CCS6P000	C68	0.5P	
C69	C69	C69	
C70	C70	C70	
C71	C71	C71	
C72	C72	C72	
1CCS6X103	C73	103P	
1CCS6X103	C74	103P	
1CCS6X103	C75	103P	
1CCS6X103	C76	103P	
1CCS6X223	C77	223P	
1CCS6X223	C78	223P	
1CCS6X223	C79	223P	
1CCS6X223	C80	223P	
1CCS6X103	C81	103P	
1CCS6X223	C82	223P	
1CCS6P101	C83	100P	
1CTSBA105	C84	1uF/16V	
1CTSBA225	C85	2.2uF/16V	
1CCS6X223	C86	223P	
1CCS8S056	C87	56P(N750)	
1CTSAA106	C88	10uF/10V	
1CCS6X103	C89	103P	
1CTSBA105	C90	1uF/16V	
1CCS6X103	C91	103P	
1CCS6X223	C92	223P	
1CCS6X102	C93	102P	
1CCS6P101	C94	100P	
1CCS6P101	C95	100P	
1CCS6P033	C96	33P	

PART LIST

DATE : May.20 2002

NO: R518P01B

MODEL : NE100S		CIRCUIT : 1CR020AA (R020A9)	
Computer No.	Reference	Value	
1CCS6P033	C97	33P	
1CTSAA475	C98	4.7uF/10V	
1CTSAA475	C99	4.7uF/10V	
1CTSAA475	C100	4.7uF/10V	
1CTSAA475	C101	4.7uF/10V	
1CTSAA475	C102	4.7uF/10V	
1CCS6P015	C103	15P	
1CTSBA105	C104	1uF/16V	
1CTSDA474	C105	0.47uF/35V	
1CTSAA475	C106	4.7uF/10V	
C107	C107	C107	
C108	C108	C108	
1CCS6X103	C109	103P	
C110	C110	C110	
C111	C111	C111	
1CCS6P000	C112	0.5P	
C113	C113	C113	
1CCS6X103	C114	103P	
1CCS6X103	C115	103P	
1CCS6X103	C116	103P	
1CCS6X103	C117	103P	
1CCS6X102	C118	102P	
1CCS6X102	C119	102P	
1CTSBA225	C120	2.2uF/16V	
1CTSBA225	C121	2.2uF/16V	
1CTSBA225	C122	2.2uF/16V	
1CTSAA475	C123	4.7uF/10V	
1CCS6X473	C124	473P	
1CCS6X473	C125	473P	
1CTSAA475	C126	4.7uF/10V	
1CCS6X223	C127	223P	
1CTSDA474	C128	0.47uF/35V	

PART LIST

DATE : May.20 2002

NO: R518P01B

MODEL : NE100S		CIRCUIT : 1CR020AA (R020A9)	
Computer No.	Reference	Value	
1CCS6X102	C129	102P	
1CTSAA475	C130	4.7uF/10V	
1CTSAA106	C131	10uF/10V	
1CCS6X103	C132	103P	
1CCS8Y104	C133	104P(0805)	
1CCS6X473	C134	473P	
1CCS6X473	C135	473P	
1CCSCP332	C136	332P(1206)	
1CCS6X102	C137	102P	
1CCS6X473	C138	473P	
C139	C139	C139	
1CCS6X472	C140	472P	
C141	C141	C141	
1CTSAA475	C142	4.7uF/10V	
C143	C143	C143	
1CMNP3300	C144	332P(PS)	
1CCS6X472	C145	472P	
1CTSDA474	C146	0.47uF/35V	
1CTSDA474	C147	0.47uF/35V	
C148	C148	C148	
C149	C149	C149	
1CCS6P047	C150	47P	
1CTSBA225	C151	2.2uF/16V	
1CTSAA475	C152	4.7uF/10V	
1CTSAA475	C153	4.7uF/10V	
1CTSAA475	C154	4.7uF/10V	
1CTSBA225	C155	2.2uF/16V	
1CCS6P047	C156	47P	
1CCSCP332	C157	332P(1206)	
1CTSAA475	C158	4.7uF/10V	
1CTSAA475	C159	4.7uF/10V	
1CTSBA225	C160	2.2uF/16V	

PART LIST

DATE : May.20 2002

NO: R518P01B

MODEL : NE100S CIRCUIT : 1CR020AA (R020A9)		
Computer No.	Reference	Value
1CTSAA475	C161	4.7uF/10V
1CTSBA225	C162	2.2uF/16V
1CTSDA474	C163	0.47uF/35V
1CCS8X103	C164	103P(0805)
1CTSAA475	C165	4.7uF/10V
1CCS6P068	C166	68P
1CCS8P102	C167	102P(0805)
1CTSAA475	C168	4.7uF/10V
1CTSAA475	C169	4.7uF/10V
1CTSAA475	C170	4.7uF/10V
C171	C171	C171
1CTSAA106	C172	10uF/10V
1CCS6P101	C173	100P
1CTSBA225	C174	2.2uF/16V
1CTSAA106	C175	10uF/10V
1CTSAA475	C176	4.7uF/10V
1CCS6P101	C177	100P
1CTSAA106	C178	10uF/10V
1CTSAA106	C179	10uF/10V
1CTSAA106	C180	10uF/10V
1CENEA107	C181	100uF/50V
1CENEA107	C182	100uF/50V
1CCS8Y104	C183	104P(0805)
1CCS6X103	C184	103P
1CENCA226	C185	22uF/25V
1CCS8Y104	C186	104P(0805)
1CENEA107	C187	100uF/50V
1CCS8Y104	C188	104P(0805)
1CENEA107	C189	100uF/50V
1CCS8Y104	C190	104P(0805)
1CENAA478	C191	4700uF/10V
1CCS8Y104	C192	104P(0805)

PART LIST

DATE : May.20 2002

NO: R518P01B

MODEL : NE100S		CIRCUIT : 1CR020AA (R020A9)	
Computer No.	Reference	Value	
1CTSBA225	C193	2.2uF/16V	
C194	C194	C194	
1CTSAA475	C195	4.7uF/10V	
1CCS6P331	C196	330P	
1CCS6P151	C197	150P	
1CCS6P151	C198	150P	
1CCS6P033	C199	33P	
1CTSAA475	C200	4.7uF/10V	
1CTSAA106	C201	10uF/10V	
1CTSAA475	C202	4.7uF/10V	
1CCS6X473	C203	473P	
1CCS6X473	C204	473P	
1CCS6X473	C205	473P	
1CCS6X103	C206	103P	
1CTSBA225	C207	2.2uF/16V	
1CCS6P331	C208	330P	
1CCS6P151	C209	150P	
1CCS6P151	C210	150P	
C211	C211	C211	
C212	C212	C212	
C213	C213	C213	
1CCS6P101	C214	100P	
1CCS6P101	C215	100P	
1CCS6P101	C216	100P	
1FNC0002	F1	E10.7MJA	
1FNC0002	F2	E10.7MJA	
F3	F3	F3	
1FNC0002	F4	E10.7MJA	
1FNC0002	F5	E10.7MJA	
F6	F6	F6	
1FNC0001	F7	CDA10.7MA	
1FNC0001	F8	CDA10.7MA	

PART LIST

DATE : May.20 2002

NO: R518P01B

MODEL : NE100S		CIRCUIT : 1CR020AA (R020A9)	
Computer No.	Reference	Value	
1FNC0007	F9	MPX FILTER	
1MPT0001	J1	TNC JACK	
1MPT0001	J2	TNC JACK	
J3	J3	J3	
J4	J4	J4	
1MPC0001	J5	BAL JACK	
1MPA0001	J6	PHONE JACK	
J7	J7	J7	
1MPR0002	J8	RF JACK	
1MPR0002	J9	RF JACK	
J10	J10	J10	
J11	J11	J11	
L1	L1	L1	
L2	L2	L2	
L3	L3	L3	
L4	L4	L4	
L5	L5	L5	
L6	L6	L6	
L7	L7	L7	
L8	L8	L8	
L9	L9	L9	
L10	L10	L10	
L11	L11	L11	
1LCND001	L12	T1167	
1LLSA825	L13	8.2uH	
1LLSA105	L14	1uH	
1LLSA105	L15	1uH	
1LLSA105	L16	1uH	
1LCND001	L17	T1167	
1LLSA825	L18	8.2uH	
1LLSA105	L19	1uH	
1LLSA105	L20	1uH	

PART LIST

DATE : May.20 2002

NO: R518P01B

MODEL : NE100S		CIRCUIT : 1CR020AA (R020A9)	
Computer No.	Reference	Value	
1LLSA225	L21	2.2uH	
1LLSA105	L22	1uH	
1LCSL684	L23	6.8mH	
1LLNA567	L24	560uH	
1DLSG210	LED1	LED(G)	
1DLSG210	LED2	LED(G)	
1DLSR210	LED3	LED(R)	
1DLSG210	LED4	LED(G)	
1DLSG210	LED5	LED(G)	
1DLSG210	LED6	LED(G)	
1DLSG210	LED7	LED(G)	
1DLSG210	LED8	LED(G)	
1DLSG210	LED9	LED(G)	
1DLSG210	LED10	LED(G)	
1DLSG210	LED11	LED(G)	
1DLSR210	LED12	LED(R)	
1SFHB02A	P1	2 PIN	
1SFHB02A	P2	2 PIN	
1SFHB02A	P3	2 PIN	
1SFHB02A	P4	2 PIN	
P5	P5	P5	
1SFHB02B	P6	2 PIN	
P7	P7	P7	
1SFHB02B	P8	2 PIN	
1TS00195	Q1	1TS00195	
1TS00195	Q2	1TS00195	
1TS04098	Q3	1TS04098	
1TS03082	Q4	1TS03082	
1TS00195	Q5	1TS00195	
1TS00195	Q6	1TS00195	
1TS04098	Q7	1TS04098	
1TS00508	Q8	1TS00508	

PART LIST

DATE : May.20 2002

NO: R518P01B

MODEL : NE100S		CIRCUIT : 1CR020AA (R020A9)	
Computer No.	Reference	Value	
1TS04097	Q9	1TS04097	
1TS04097	Q10	1TS04097	
1TS04097	Q11	1TS04097	
1TS04097	Q12	1TS04097	
1TS04097	Q13	1TS04097	
1TS01577	Q14	1TS01577	
1TS04097	Q15	1TS04097	
1TS01577	Q16	1TS01577	
1RS6A203	R1	20K	
1RS6A273	R2	27K	
1RS6A123	R3	12K	
1RS6A223	R4	22K	
1RS6A101	R5	100	
1RS6A101	R6	100	
1RS6A203	R7	20K	
1RS6A333	R8	33K	
1RS6A222	R9	2.2K	
1RS6A222	R10	2.2K	
1RS6A101	R11	100	
1RS6A101	R12	100	
1RS6A332	R13	3.3K	
1RS6A821	R14	820	
1RS6A047	R15	47	
1RS6A471	R16	470	
1RS6A022	R17	22	
1RS6A221	R18	220	
1RS6A331	R19	330	
1RS6A473	R20	47K	
1RS6A223	R21	22K	
1RS6A331	R22	330	
1RS6A222	R23	2.2K	
1RS6A022	R24	22	

PART LIST

DATE : May.20 2002

NO: R518P01B

MODEL : NE100S		CIRCUIT : 1CR020AA (R020A9)	
Computer No.	Reference	Value	
1RS6A473	R25	47K	
1RS6A010	R26	10	
1RS6A682	R27	6.8K	
1RS6A153	R28	15K	
1RS6A153	R29	15K	
1RS6A047	R30	47	
1RS6A104	R31	100K	
1RS6A473	R32	47K	
1RS6A124	R33	120K	
1RS6A223	R34	22K	
1RS6A222	R35	2.2K	
1RS6A102	R36	1K	
1RS6A103	R37	10K	
1RS6A103	R38	10K	
1RS6A203	R39	20K	
1RS6A273	R40	27K	
1RS6A123	R41	12K	
1RS6A223	R42	22K	
1RS6A101	R43	100	
1RS6A101	R44	100	
1RS6A203	R45	20K	
1RS6A333	R46	33K	
1RS6A222	R47	2.2K	
1RS6A222	R48	2.2K	
1RS6A101	R49	100	
1RS6A101	R50	100	
1RS6A332	R51	3.3K	
1RS6A821	R52	820	
1RS6A047	R53	47	
1RS6A471	R54	470	
1RS6A022	R55	22	
1RS6A221	R56	220	

PART LIST

DATE : May.20 2002

NO: R518P01B

MODEL : NE100S		CIRCUIT : 1CR020AA (R020A9)	
Computer No.	Reference	Value	
1RS6A331	R57	330	
1RS6A473	R58	47K	
1RS6A223	R59	22K	
1RS6A331	R60	330	
1RS6A222	R61	2.2K	
1RS6A022	R62	22	
1RS6A473	R63	47K	
1RS6A010	R64	10	
1RS6A682	R65	6.8K	
1RS6A153	R66	15K	
1RS6A153	R67	15K	
1RS6A047	R68	47	
1RS6A104	R69	100K	
1RS6A473	R70	47K	
1RS6A124	R71	120K	
1RS6A222	R72	2.2K	
1RS6A223	R73	22K	
1RS6A102	R74	1K	
1RS6A103	R75	10K	
1RS6A103	R76	10K	
1RS6A152	R77	1.5K	
1RS6A392	R78	3.9K	
1RS6A010	R79	10	
1RS6A472	R80	4.7K	
1RS6A681	R81	680	
1RS6A047	R82	47	
1RS6A010	R83	10	
1RS6A010	R84	10	
1RS6A224	R85	220K	
1RS6A224	R86	220K	
1RS6A047	R87	47	
1RS6A047	R88	47	

PART LIST

DATE : May.20 2002

NO: R518P01B

MODEL : NE100S		CIRCUIT : 1CR020AA (R020A9)	
Computer No.	Reference	Value	
1RS6A047	R89	47	
1RS6A047	R90	47	
1RS6A010	R91	10	
1RS6A224	R92	220K	
1RS6A224	R93	220K	
1RS6A047	R94	47	
1RS6A102	R95	1K	
1RS6A102	R96	1K	
1RS6A824	R97	820K	
1RS6A473	R98	47K	
1RS6A473	R99	47K	
1RS6A473	R100	47K	
1RS6A473	R101	47K	
1RS6A473	R102	47K	
1RS6A473	R103	47K	
1RS6A562	R104	5.6K	
1RS6A225	R105	2.2M	
1RS6A474	R106	470K	
1RS6A153	R107	15K	
1RS6A153	R108	15K	
1RS6A473	R109	47K	
1RS6A104	R110	100K	
1RS6A104	R111	100K	
1RS6A104	R112	100K	
1RS6A104	R113	100K	
1RS6A103	R114	10K	
1RS6A103	R115	10K	
1RS6A473	R116	47K	
1RS6A103	R117	10K	
1RS6A101	R118	100	
1RS6A331	R119	330	
1RS6A102	R120	1K	

PART LIST

DATE : May.20 2002

NO: R518P01B

MODEL : NE100S		CIRCUIT : 1CR020AA (R020A9)	
Computer No.	Reference	Value	
1RS6A333	R121	33K	
R122	R122	R122	
1RS6A223	R123	22K	
R124	R124	R124	
1RS8D887	R125	8.87K(0805)	
R126	R126	R126	
1RS6A047	R127	47	
R128	R128	R128	
1RS6A105	R129	1M	
1RS6A563	R130	56K	
1RS6A224	R131	220K	
R132	R132	R132	
1RS6A103	R133	10K	
1RS6A103	R134	10K	
1RS6A102	R135	1K	
1RS6A332	R136	3.3K	
1RS6A047	R137	47	
1RS6A104	R138	100K	
1RS6A332	R139	3.3K	
1RS6A124	R140	120K	
1RS6A682	R141	6.8K	
1RS6A223	R142	22K	
1RS6A103	R143	10K	
1RS6A103	R144	10K	
1RS6A103	R145	10K	
1RS6A103	R146	10K	
1RS6A224	R147	220K	
1RS6A103	R148	10K	
1RS6A392	R149	3.9K	
1RS6A103	R150	10K	
1RS6A102	R151	1K	
1RS6A102	R152	1K	

PART LIST

DATE : May.20 2002

NO: R518P01B

MODEL : NE100S		CIRCUIT : 1CR020AA (R020A9)	
Computer No.	Reference	Value	
1RS6A102	R153	1K	
1RS6A102	R154	1K	
1RS6A102	R155	1K	
1RS6A153	R156	15K	
1RS6A124	R157	120K	
1RS6A104	R158	100K	
1RS6A153	R159	15K	
1RS6A047	R160	47	
1RS6A106	R161	10M	
1RS6A123	R162	12K	
1RS6A562	R163	5.6K	
1RS6A562	R164	5.6K	
1RS6A152	R165	1.5K	
1RS6M273	R166	27K(M)	
1RS6A102	R167	1K	
1RS6A047	R168	47	
1RS6M473	R169	47K(M)	
1RS6A332	R170	3.3K	
1RS6A047	R171	47	
1RS6A332	R172	3.3K	
1RS6A563	R173	56K	
1RS6A473	R174	47K	
1RS6A332	R175	3.3K	
1RS6A102	R176	1K	
1RS6A332	R177	3.3K	
1RS6A271	R178	270	
1RS6A271	R179	270	
1RS6A027	R180	100	
1RS6A027	R181	100	
1RS6A152	R182	1.5K	
1RS6A152	R183	1.5K	
1RS6A152	R184	1.5K	

PART LIST

DATE : May.20 2002

NO: R518P01B

MODEL : NE100S		CIRCUIT : 1CR020AA (R020A9)	
Computer No.	Reference	Value	
1RS6A152	R185	1.5K	
1RS6A152	R186	1.5K	
1RS6A471	R187	470	
1RS6A222	R188	2.2K	
1RS6A222	R189	2.2K	
1RS6A222	R190	2.2K	
1RS6A473	R191	47K	
1RS6A102	R192	1K	
1RS6A333	R193	33K	
1RS6A152	R194	1.5K	
1RS6A561	R195	560	
1RS6A047	R196	47	
1RS6A101	R197	100	
1RS6A105	R198	1M	
1RS6A047	R199	47	
R200	R200	R200	
1RS6A333	R201	33K	
1RS6A105	R202	1M	
1RS6A822	R203	8.2K	
1RS6A822	R204	8.2K	
1RS6A563	R205	56K	
1RS6A103	R206	10K	
1RS6A010	R207	10	
1RS6A047	R208	47	
1RS6A822	R209	8.2K	
1RS6A010	R210	10	
1RS6A103	R211	10K	
1RS6A822	R212	8.2K	
1RS6A822	R213	8.2K	
1RS6A563	R214	56K	
1RS6A105	R215	1M	
1RS6A154	R216	150K	

PART LIST

DATE : May.20 2002

NO: R518P01B

MODEL : NE100S		CIRCUIT : 1CR020AA (R020A9)	
Computer No.	Reference	Value	
1RS6A153	R217	15K	
1RS6A102	R218	1K	
1RS6A473	R219	47K	
1RS6A104	R220	100K	
1RS6A123	R221	12K	
R222	R222	R222	
R223	R223	R223	
R224	R224	R224	
1RS6A010	R225	10	
1RS6A010	R226	10	
1RS6A101	R227	100	
1RS6A103	R228	10K	
1RS6A056	R229	56	
1RS6A221	R230	220	
1RS6A221	R231	220	
1SWN0008	SW1	MAKE S.W.	
1SWN0002	SW2	POWER S.W.	
1IS01145	U1	1IS01145	
1IS01145	U2	1IS01145	
1IS02068	U3	1IS02068	
1IS02068	U4	1IS02068	
1IS02903	U5	1IS02903	
1IS02903	U6	1IS02903	
1IS04066	U7	1IS04066	
1IS04073	U8	1IS04073	
1IS04001	U9	1IS04001	
1IS00572	U10	1IS00572	
1IS02068	U11	1IS02068	
1IS02068	U12	1IS02068	
1IS02068	U13	1IS02068	
1IS01604	U14	1IS01604	
U15	U15	U15	

PART LIST

DATE : May.20 2002

NO: R518P01B

MODEL : NE100S		CIRCUIT : 1CR020AA (R020A9)	
Computer No.	Reference	Value	
1IS06124	U16	1IS06124	
1IS02903	U17	1IS02903	
1IN07808	U18	1IN07808	
1IS02068	U19	1IS02068	
1IS02903	U20	1IS02903	
1IS02903	U21	1IS02903	
1IS02903	U22	1IS02903	
1RNVA502	VR1	VR5K	
1RNVA502	VR2	VR5K	
1RNVA503	VR3	VR50K	
1RNVA503	VR4	VR50K	
1RNVA503	VR5	VR50K	
VR6	VR6	VR6	
VR7	VR7	VR7	
1RNRA103	VR8	VR10K(SQ)	
1RNRB103	VR9	VR10K VOL	
1RNVA503	VR10	VR50K	
X1	X1	CRY	
1DDS0204	Z1	DA204U	
1DDS0204	Z2	DA204U	
1DDS0451	Z3	RB451	
1DDS0451	Z4	RB451	
1DDS0451	Z5	RB451	
1DDS0451	Z6	RB451	
1DDS0160	Z7	RB160L-40	
1DDS0160	Z8	RB160L-40	
1DDS0204	Z9	DA204U	
1DDS0204	Z10	DA204U	
1DDS0204	Z11	DA204U	
1DDS0068	Z12	UDZ6.8V	