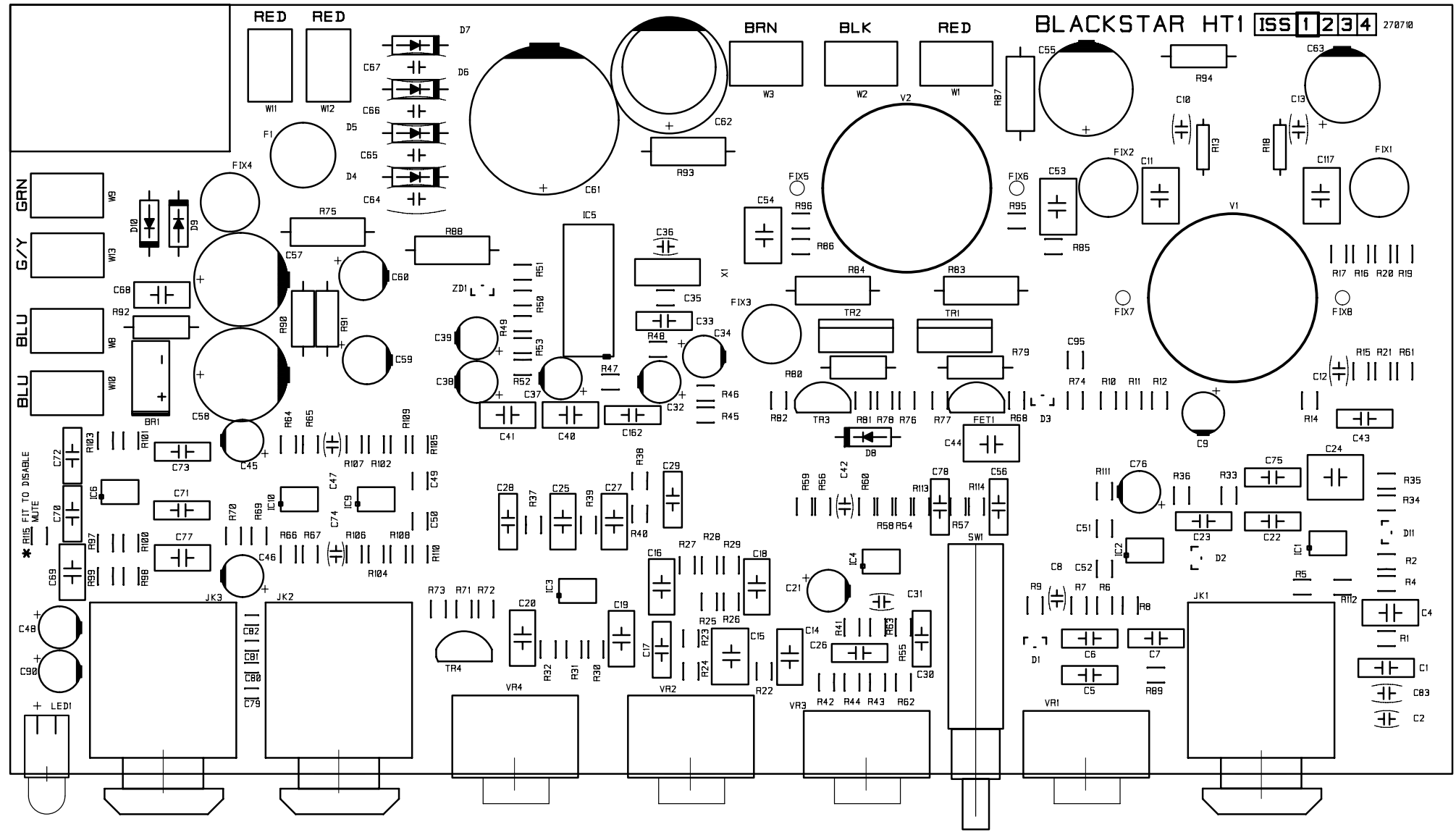


BLACKSTAR HT1 ISS 1 2 3 4 278718



GRN
G/Y
BLU
BLU

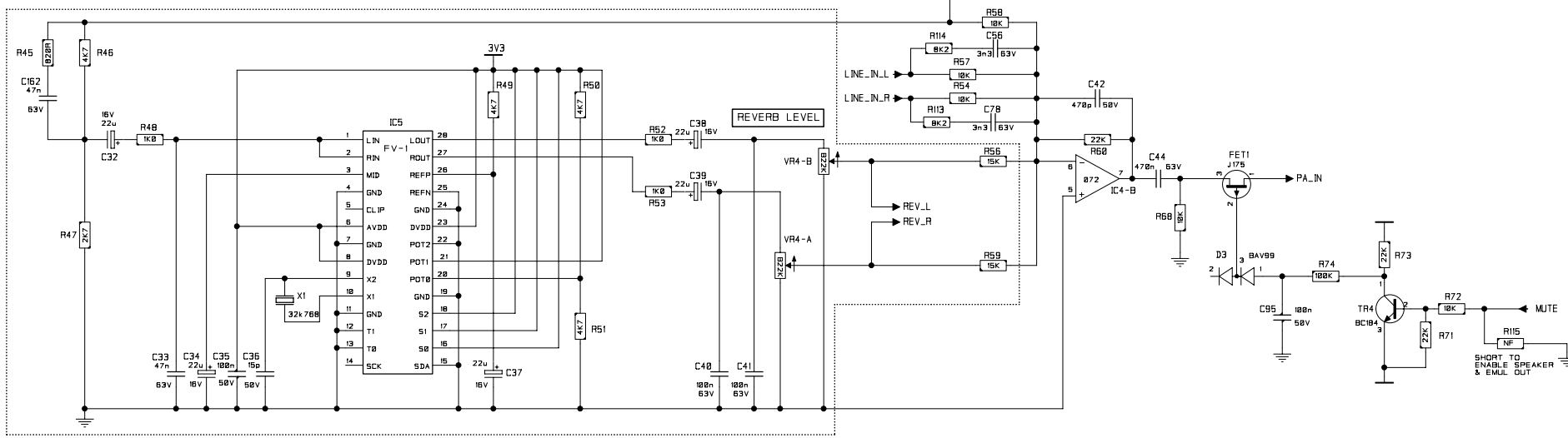
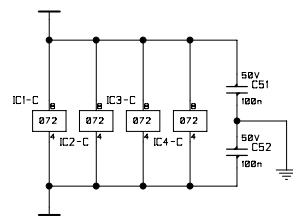
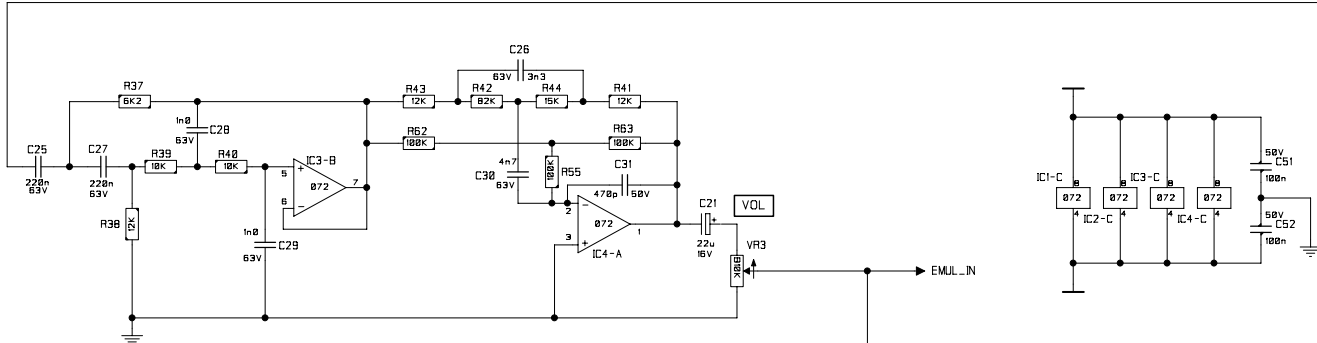
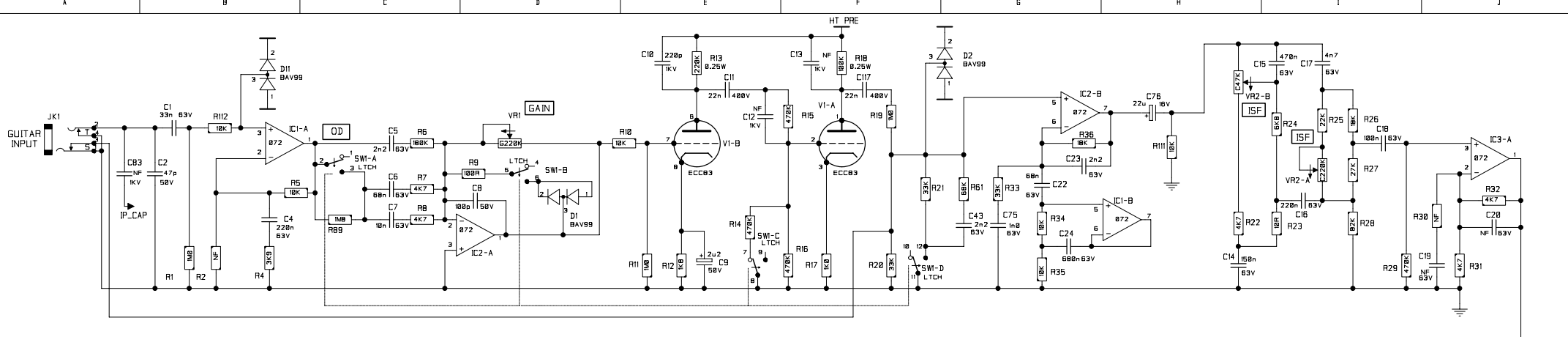
* THIS FIT TO DISABLE MUTE

C48
C90
LED1

RED RED

BRN BLK RED

BLACKSTAR HT1 ISS 1 2 3 4 278718



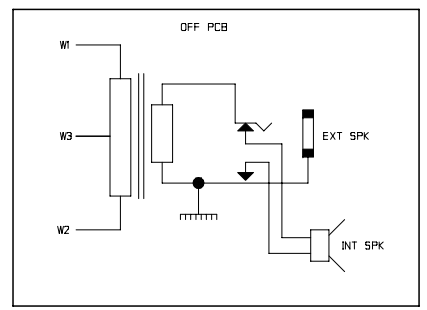
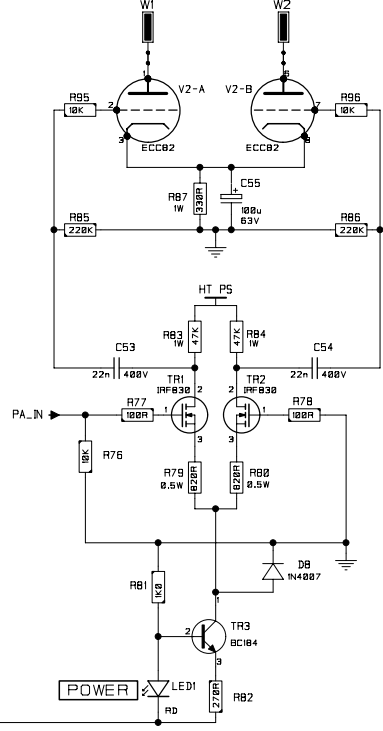
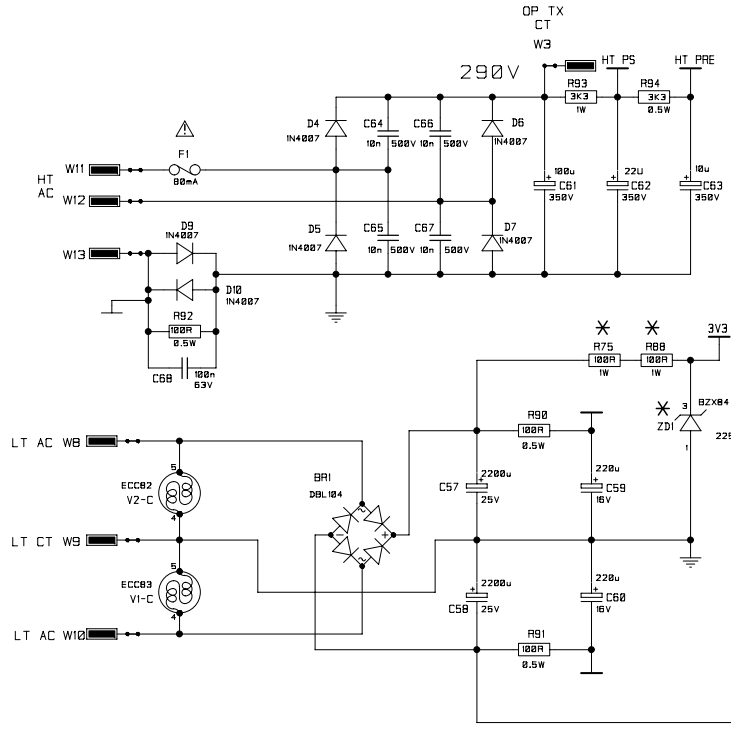
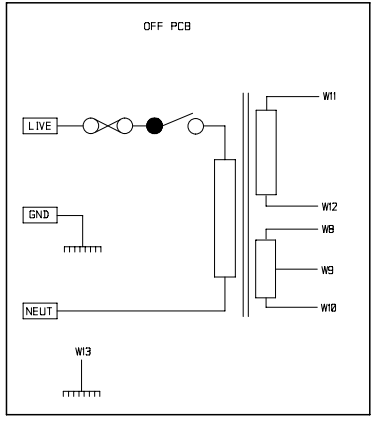
FOR NON-REVERB VERSION DO NOT FIT COMPONENTS WITHIN DOTTED LINE

Blackstar Amplification

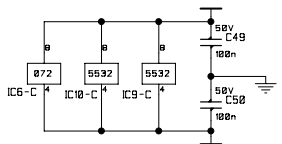
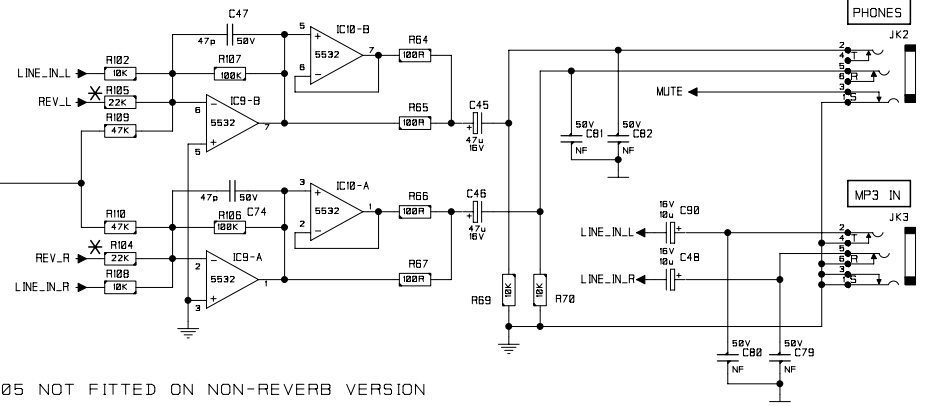
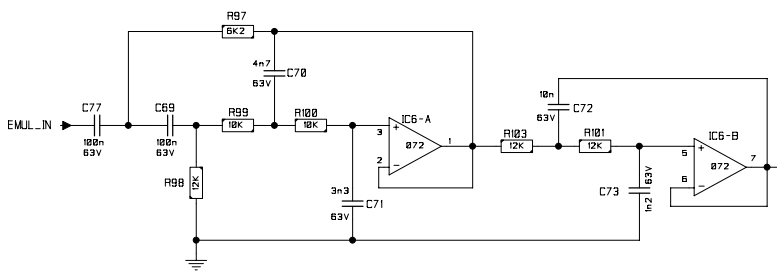
COPYRIGHT EXISTS ON THIS DOCUMENT. IT MUST NOT BE USED FOR ANY PURPOSE OTHER THAN THAT FOR WHICH IT WAS SUPPLIED AND MUST NOT BE COPIED IN WHOLE OR PART WITHOUT WRITTEN PERMISSION OF BLACKSTAR AMPLIFICATION

| | | | |
|-------|---------|----------|---------|
| XX | CN1234 | 01-01-01 | 0XA |
| ISSUE | ECO No. | DATE | INITIAL |

| | | | |
|-------------|---------|-------------|-----------------|
| DWG No. | ISS: 1A | SHT. 1 OF 2 | TITLE |
| DRAWN BY | DATE | 10-12-10 | PRE-AMP, REVERB |
| CHECKED BY | DATE | | MODEL |
| APPROVED BY | DATE | | HT1, HT1-R |



- FIX1 → IP_CAP
 - FIX2
 - FIX3
 - FIX4
 - FIX5
 - FIX6
 - FIX7
 - FIX8
- CHASSIS FIXINGS VALVE RETAINERS



R75, R88, ZD1, R104 & R105 NOT FITTED ON NON-REVERB VERSION

| | | | |
|-------|---------|----------|---------|
| XX | CN1234 | 01-01-01 | 0XA |
| ISSUE | ECO No. | DATE | INITIAL |

Blackstar
AMPLIFICATION

COPYRIGHT EXISTS ON THIS DOCUMENT. IT MUST NOT BE USED FOR ANY PURPOSE OTHER THAN THAT FOR WHICH IT WAS SUPPLIED AND MUST NOT BE COPIED IN WHOLE OR PART WITHOUT WRITTEN PERMISSION OF BLACKSTAR AMPLIFICATION

| | | | |
|-------------|------|-------------|---------------------|
| DWG No. | ISS: | SHT. 2 OF 2 | TITLE |
| DRAWN BY | DATE | 10-12-10 | PSU, HP & POWER AMP |
| CHECKED BY | DATE | | MODEL |
| APPROVED BY | DATE | | HT1, HT1-R |