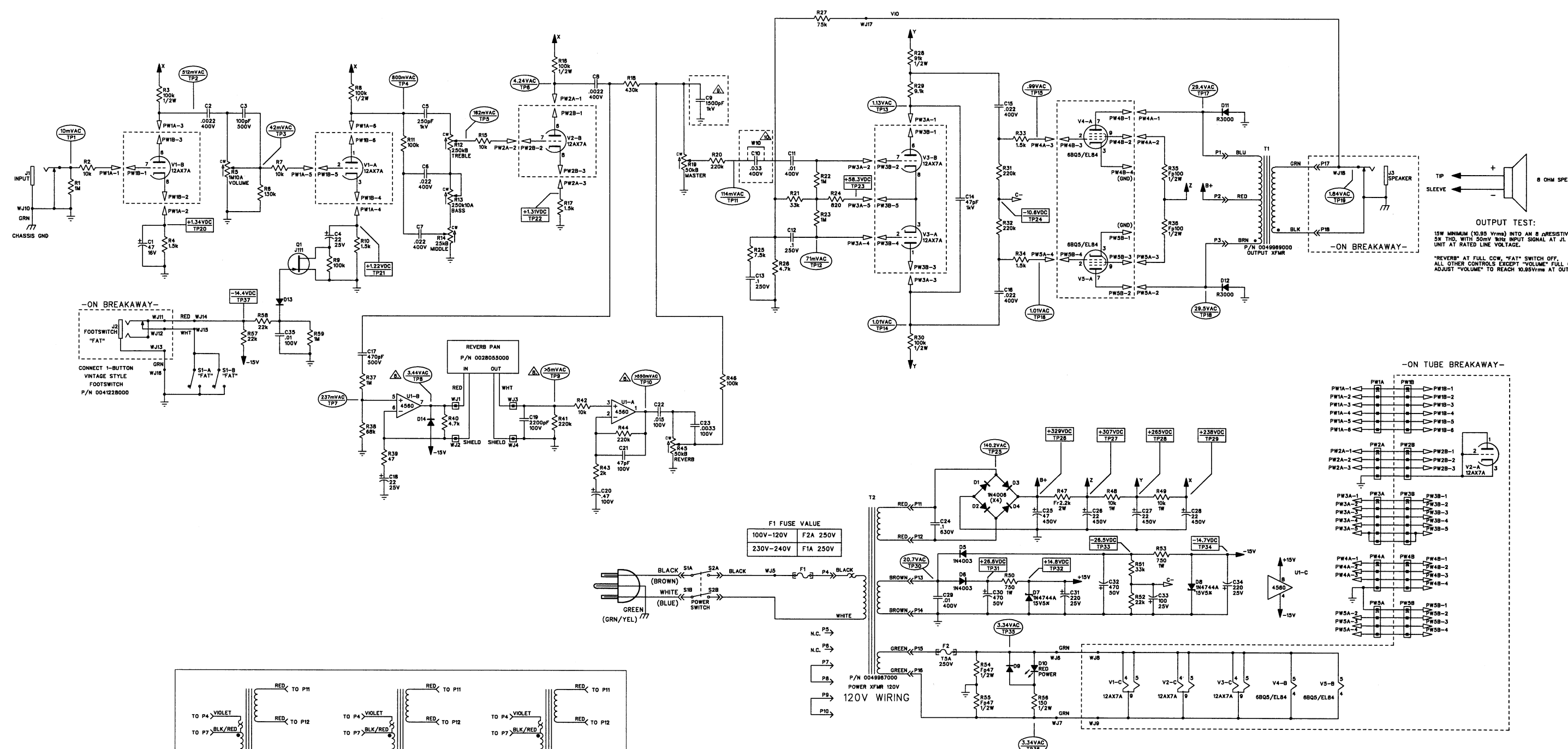
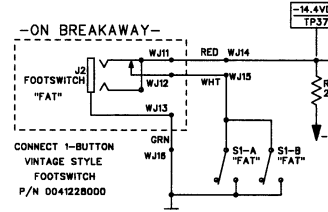
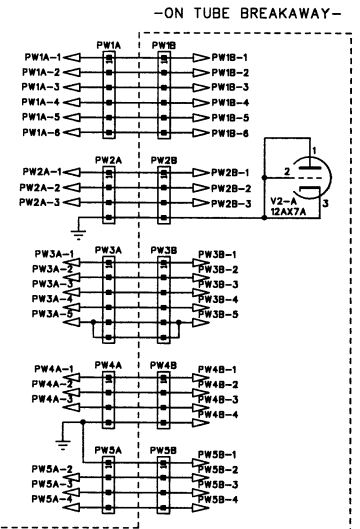


REVISIONS			
REV.	DESCRIPTION	DATE	APPROVED
A	EC 2630	21-MAR-01	dBL
B	EC 2767	09-APR-02	dBL
C	EC 2871	06-JAN-03	dBL
D	PR 1108	24-MAR-10	MTG

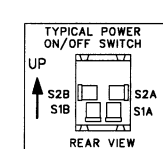
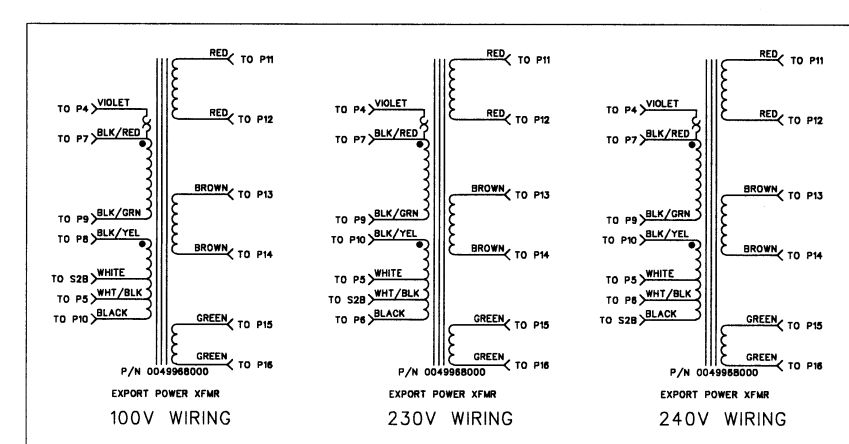
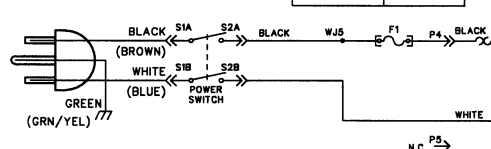


OUTPUT TEST:
 15W MINIMUM (10.95 Vrms) INTO AN 8 Ω RESISTIVE LOAD, 5% THD, WITH 500mV RMS INPUT SIGNAL AT J1, UNIT AT RATED LINE VOLTAGE.
 REVERB AT FULL CW, *FAT* SWITCH OFF, ALL OTHER CONTROLS EXCEPT *VOLUME* FULL CW, ADJUST *VOLUME* TO REACH 10.95Vrms AT OUTPUT.



F1 FUSE VALUE

100V-120V	F2A 250V
230V-240V	F1A 250V



- TP8 - TP10 VARY AND ARE DEPENDENT ON SPECIFIC EXCITATION FREQUENCY AND PARTICULAR REVERB PAN FREQUENCY RESPONSE.
7. AC AND DC VOLTAGES READ WITH RESPECT TO GROUND WITH A DVM UNDER THE FOLLOWING CONDITIONS:
 UNIT AT RATED LINE VOLTAGE
 NO INPUT SIGNAL (TP20-TP37 ONLY)
 VOLTAGES MAY VARY +/- 20%
- ADDITIONAL CONDITIONS FOR TP8-TP10:
 10mVrms, RMS SINEWAVE INPUT SIGNAL AT J1
 8Ω RESISTIVE LOAD CONNECTED AT J3
 REVERB PAN CONNECTED
 REVERB AT FULL CW, *FAT* SWITCH OFF (OFF)
 ALL OTHER CONTROLS AT 50% ROTATION.
8. LATEST REFERENCE: C35, D14, F2, J3, P18, R59, S1 T2, TP37, U1, V5, WJ8.
9. THIS SCHEMATIC IS FOR PCB FABRICATION P/N 0057278000 AND PCB ASSEMBLIES P/N 0057277000 AND P/N 0079841000.
4. ALL DIODES ARE 1N4448.
2. ALL UNPOLARIZED CAPACITORS IN μF, 20% OR BETTER; 50V MINIMUM. (POWER SUPPLY BYPASS CAPACITORS ARE 20%).
1. ALL RESISTORS IN OHMS, 5%; 1/4W.
- NOTES: (UNLESS OTHERWISE NOTED)

△ C10 STUFFED AS JUMPER FOR PCB ASSEMBLY 0079841000.
 △ C9 NOT STUFFED FOR PCB ASSEMBLY 0079841000.

THIS DOCUMENT CONTAINS INFORMATION OF A PROPRIETARY NATURE TO FENDER MUSICAL INSTRUMENTS AND IS SUBMITTED TO YOU IN CONFIDENCE AND SHALL NOT BE DISCLOSED OR TRANSMITTED TO OTHERS WITHOUT AUTHORIZATION FROM FENDER MUSICAL INSTRUMENTS.

Fender MUSICAL INSTRUMENTS
 Corona, CA U.S.A.

CHECKED BY: *[Signature]*
 DATE: *[Date]*

APPROVED BY: *[Signature]*
 DATE: *[Date]*

DRAWN: D. LEWIS ENGR: D. LEWIS
 DATABASE FILE: Z4865.SCH

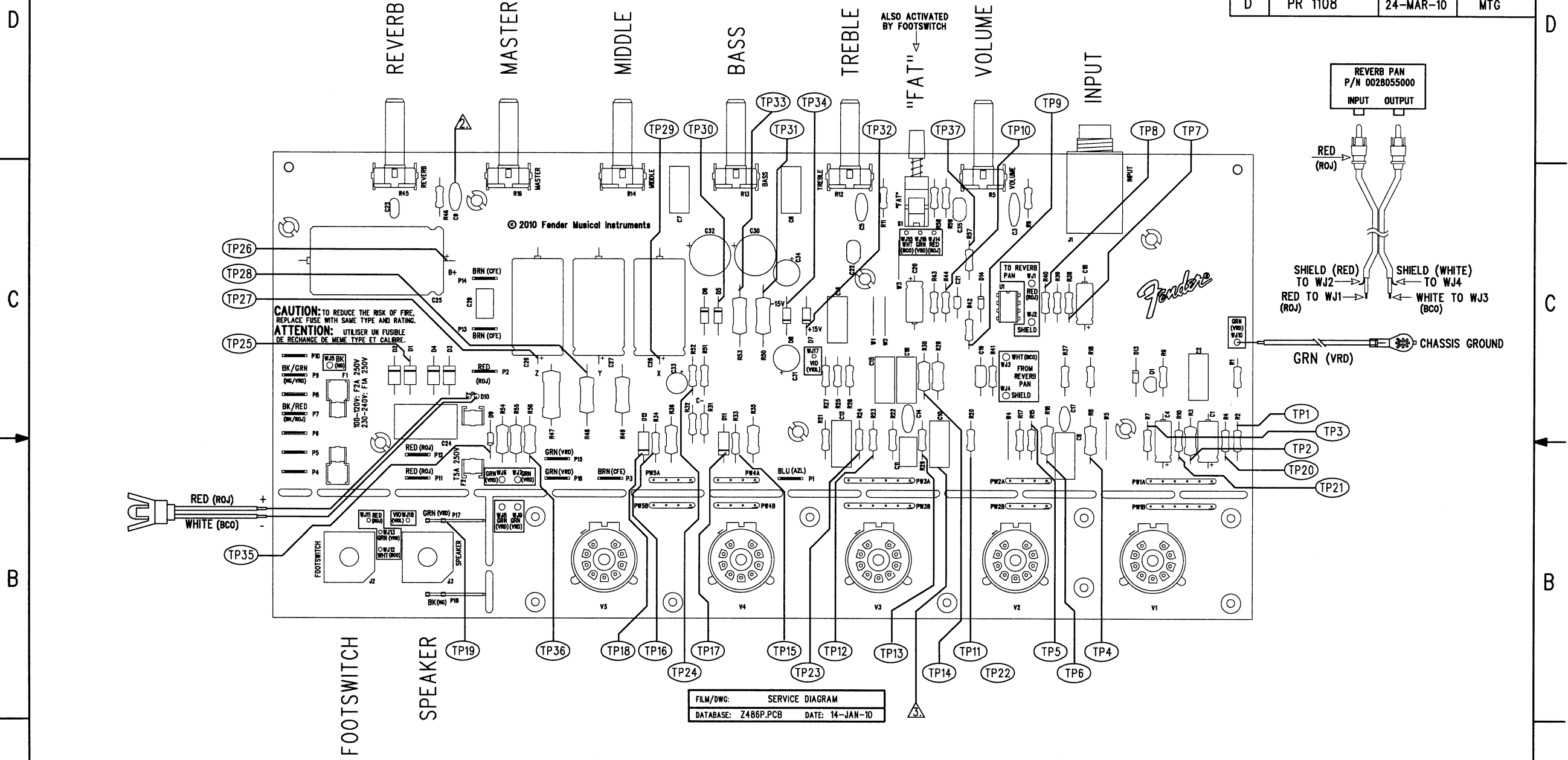
TITLE: SERVICE DIAGRAM, COMBINED (schematic) BLUES JUNIOR

SIZE: DRAWING NUMBER **D** 0057275000 REV. **D**

RELEASE DATE: 21-MAR-01 SHEET: 1 OF 2

8 7 6 5 4 3 2 1

REVISIONS			
REV.	DESCRIPTION	DATE	APPROVED
A	EC 2630	21-MAR-01	dBL
B	EC 2767	09-APR-02	dBL
C	EC 2871	06-JAN-03	dBL
D	PR 1108	24-MAR-10	MTG



△ C10 STUFFED AS JUMPER FOR PCB ASSEMBLY 0079641000.
 △ C9 NOT STUFFED FOR PCB ASSEMBLY 0079641000.
 1. SEE SHEET 1 FOR PRIMARY WIRING, TEST CONDITIONS, AND TEST POINT VALUES.
 NOTES: (UNLESS OTHERWISE NOTED)

THIS DOCUMENT CONTAINS INFORMATION OF A PROPRIETARY NATURE TO FENDER MUSICAL INSTRUMENTS AND IS SUBMITTED TO YOU IN CONFIDENCE AND SHALL NOT BE DISCLOSED OR TRANSMITTED TO OTHERS WITHOUT AUTHORIZATION FROM FENDER MUSICAL INSTRUMENTS.		Fender MUSICAL INSTRUMENTS Corona, CA U.S.A.	
CHECKED BY: <u>dBL</u>	DATE: <u>4/14/10</u>	TITLE: SERVICE DIAGRAM, COMBINED (PCB assy) BLUES JUNIOR	
APPROVED BY: <u>MTG</u>	DATE: <u>4/16/10</u>	SIZE: C	DRAWING NUMBER: 0057275000
DRAWN: D. LEWIS	ENGR: D. LEWIS	RELEASE DATE: 21-MAR-01	REV. D
DATABASE FILE: Z486P.PCB		SHEET 2 OF 2	

8 7 6 5 4 3 2 1