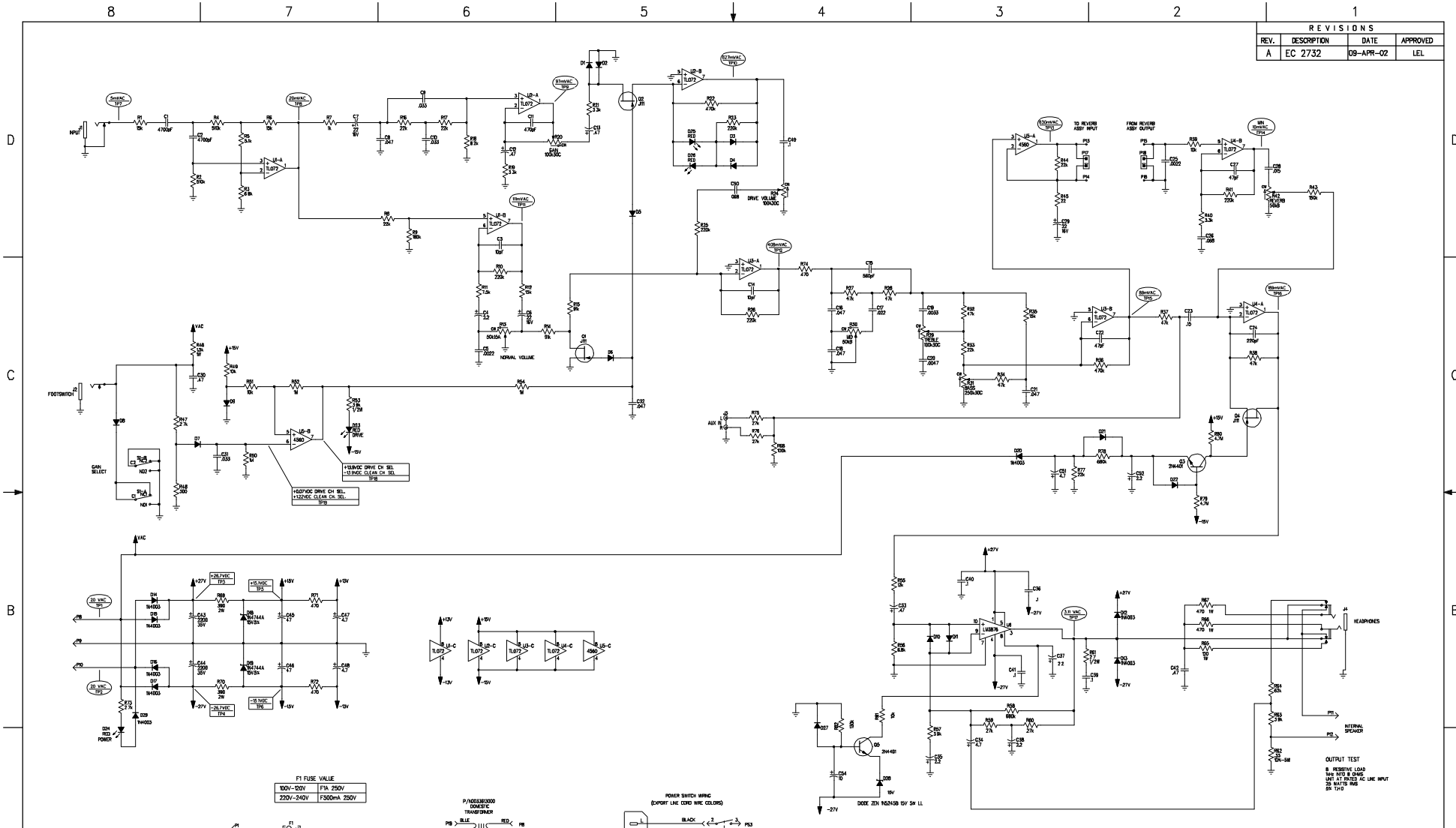
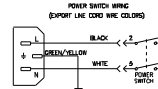
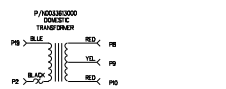
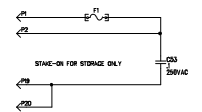


REVISIONS			
REV.	DESCRIPTION	DATE	APPROVED
A	EC 2732	09-APR-02	LEL



F1 FUSE VALUE	
100V-120V	F1A 250V
220V-240V	F300mA 250V



DOMESTIC LAMP: A WHITE WIRE CONNECTS PINS 10 TO 11. A BLACK WIRE CONNECTS PINS 12 TO 13. (WIRE SET PINS ASBY P/N 00383000)

1. ALL VOLTAGES READ TO GROUND WITH A DUAL BE INPUT SIGNAL.
2. ALL POLARIZED CAPACITORS IN U1, 50V, 50K.
3. ALL UNPOLARIZED CAPACITORS IN U1, 50V, 50K.
4. ALL RESISTORS IN OHM, 1/4W, 5%. NOTES: (UNLESS OTHERWISE NOTED)
5. LAST REFERENCE DESIGNATOR FOR THE FOLLOWING CONDITION:
 - 34K INPUT APPLIED AT J1
 - RESISTIVE LOAD CONNECTED AT P1, P2
 - NO FOOTSWITCH SELECT AT 12
 - REVERSE TO OTHER WIRE: INFORMATION FROM FENDER MUSICAL INSTRUMENTS.
6. ALL TRAY CONTROLS SET AT 12 O'CLOCK. REVERSE PAN CONNECTED.

THE DOCUMENT CONTAINS INFORMATION OF A PROPRIETARY NATURE TO FENDER MUSICAL INSTRUMENTS AND IS LOANED TO YOU IN CONFIDENCE AND SHALL NOT BE DISCLOSED OR TRANSMITTED TO OTHER WIRELESS COMMUNICATION FROM FENDER MUSICAL INSTRUMENTS.

Fender MUSICAL INSTRUMENTS
Corona, CA USA

TITLE: BRAND X-25R(AXL)

CHECKED BY: _____ DATE: _____

APPROVED BY: _____ DATE: _____

DRAWN BY: _____ DISCIPLINE: _____

DATE: _____

SIZE: D DRAWING NUMBER: 032005901

RELEASE DATE: 30-MAY-03 SHEET: 1 OF 1