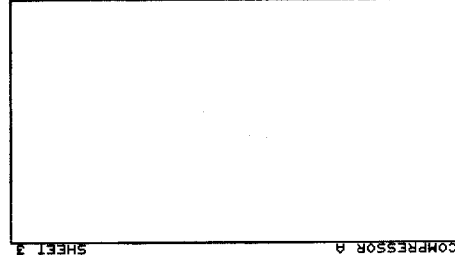


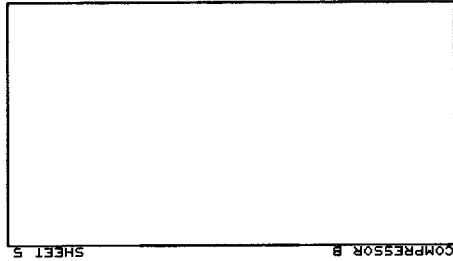
Date:	October 4, 2002	Sheet	1 of 7
Size	CD1093	REV	8
Title	VALVE CLASSIC CI COMPRESSOR		
	I L Rudio		
	COPYRIGHT 2002		

ISSUE 11 PCB'S

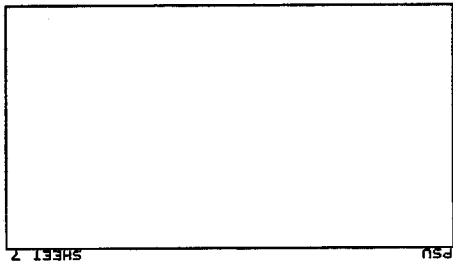
NOTES FOR QUALIFIED SERVICE ENGINEERS
The following voltages exist within this unit under normal working circumstances: 230V (L15V) AC Mains and 300V DC. These voltages may take several minutes to decay after the unit is switched off.
CARE MUST BE TAKEN WHEN FAULT FINDING.
DO NOT HANDLE THE PCB WHILE THE UNIT IS CONNECTED TO THE MAINS SUPPLY. DO NOT USE SCREWS WITH DIFFERENT TYPE OR LENGTH THAN THOSE CURRENTLY FITTED. DO NOT REMOVE EARTH WIRES UNDER ANY CIRCUMSTANCES. REPLACE ALL COVERS REMOVED DURING SERVICING. DURING REASSEMBLY DO NOT ALLOW WIRES TO BE TRAPPED.
IF IN DOUBT RETURN UNIT TO SUPPLIER.



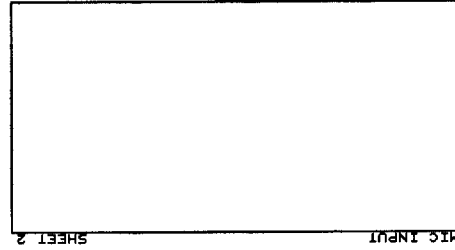
COMPRESSOR A SHEET 3



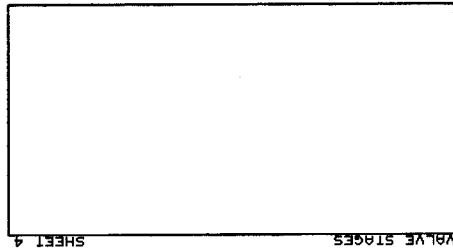
COMPRESSOR B SHEET 5



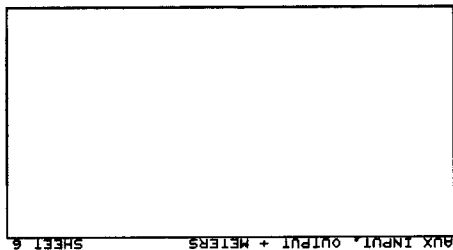
PSU SHEET 7



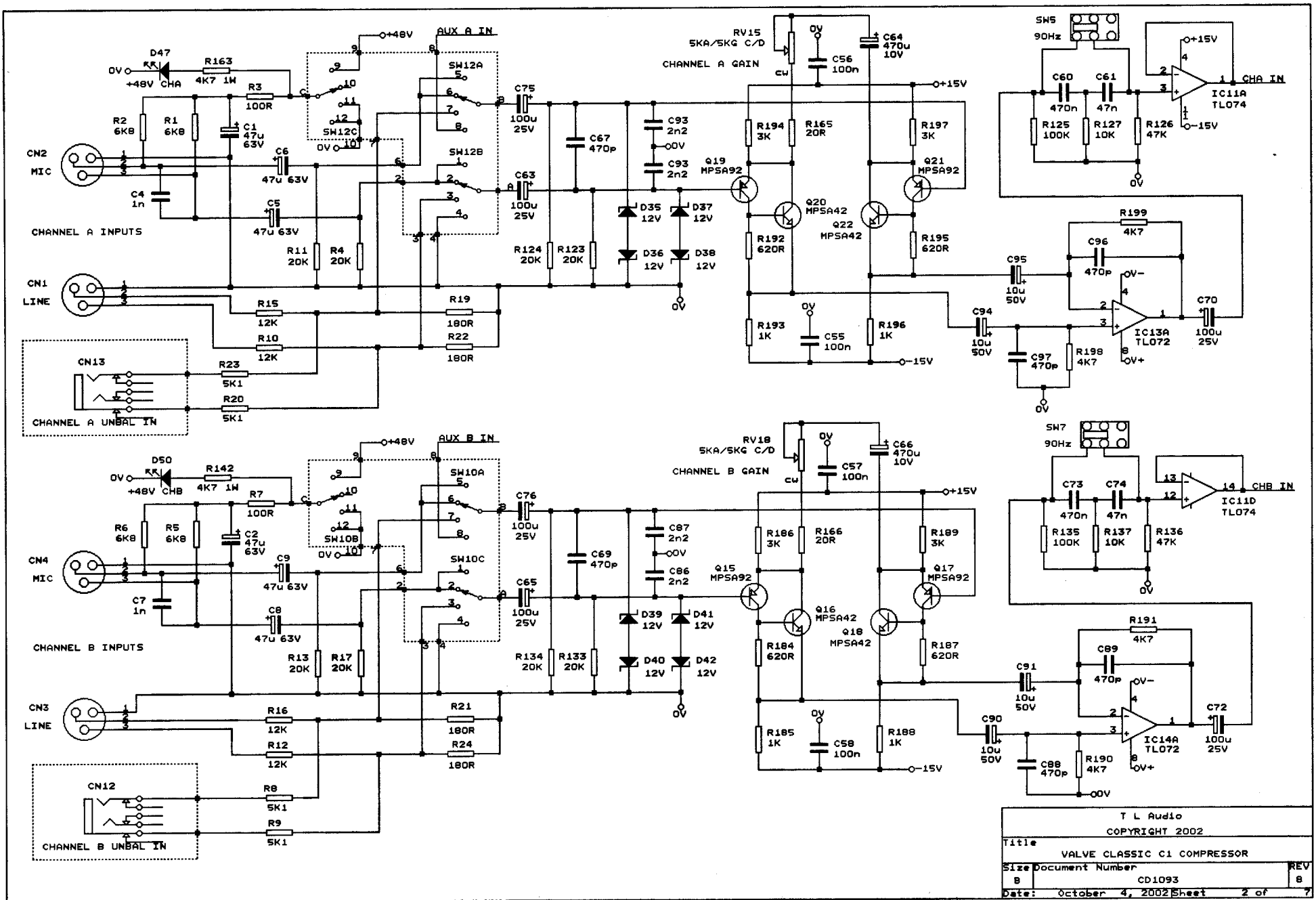
MIC INPUT SHEET 2



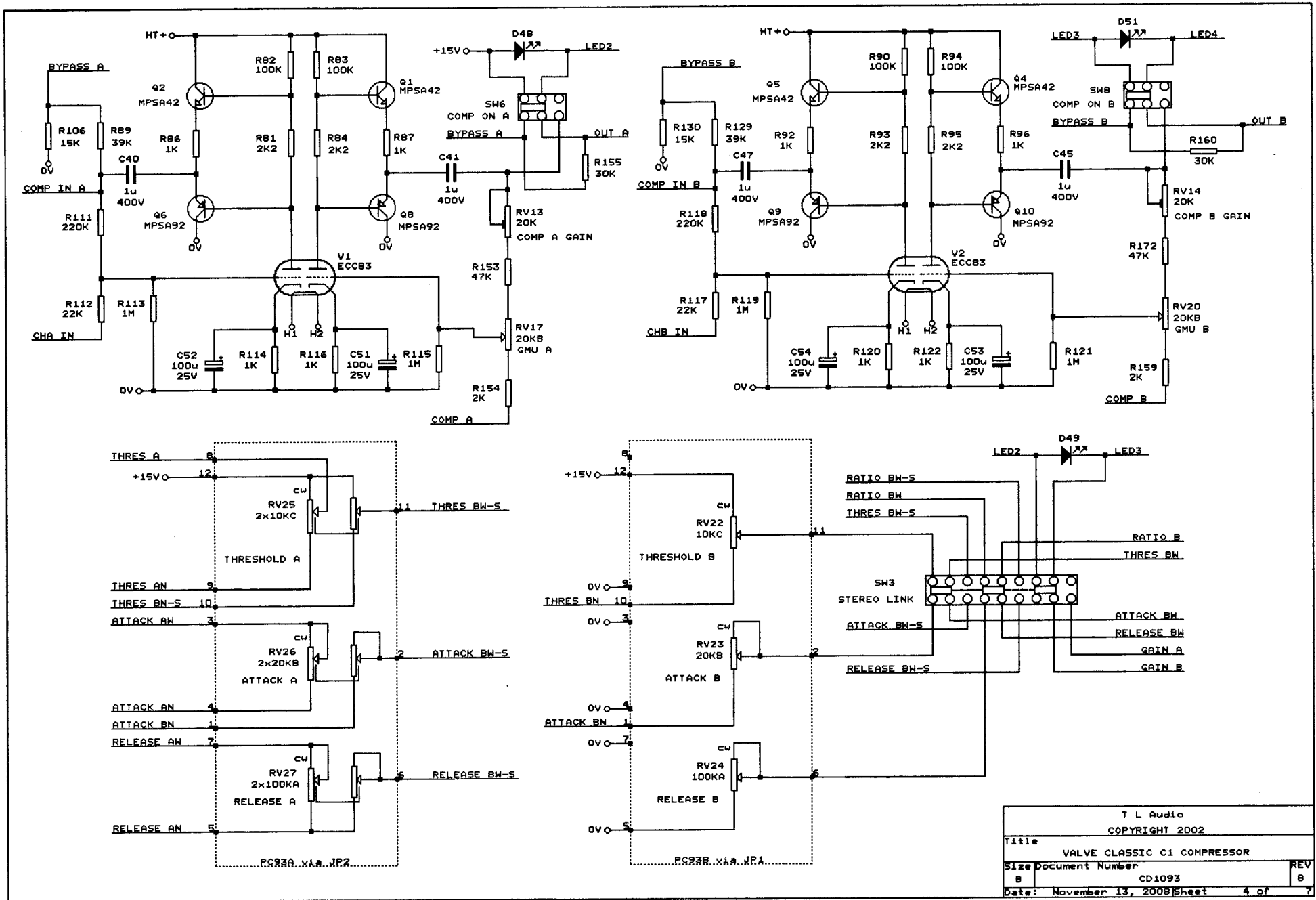
VALVE STAGES SHEET 4



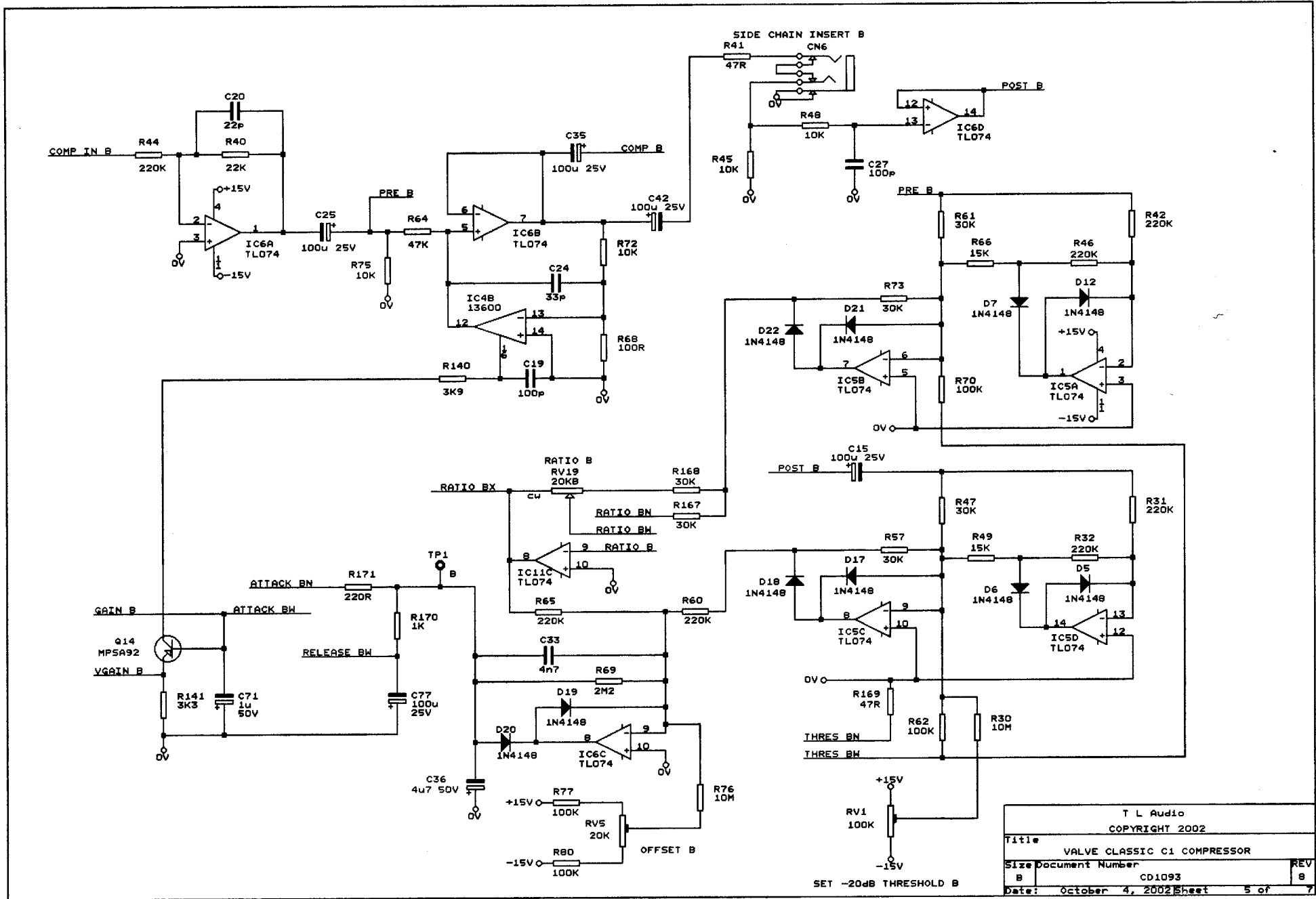
AUX INPUT, OUTPUT + METERS SHEET 6



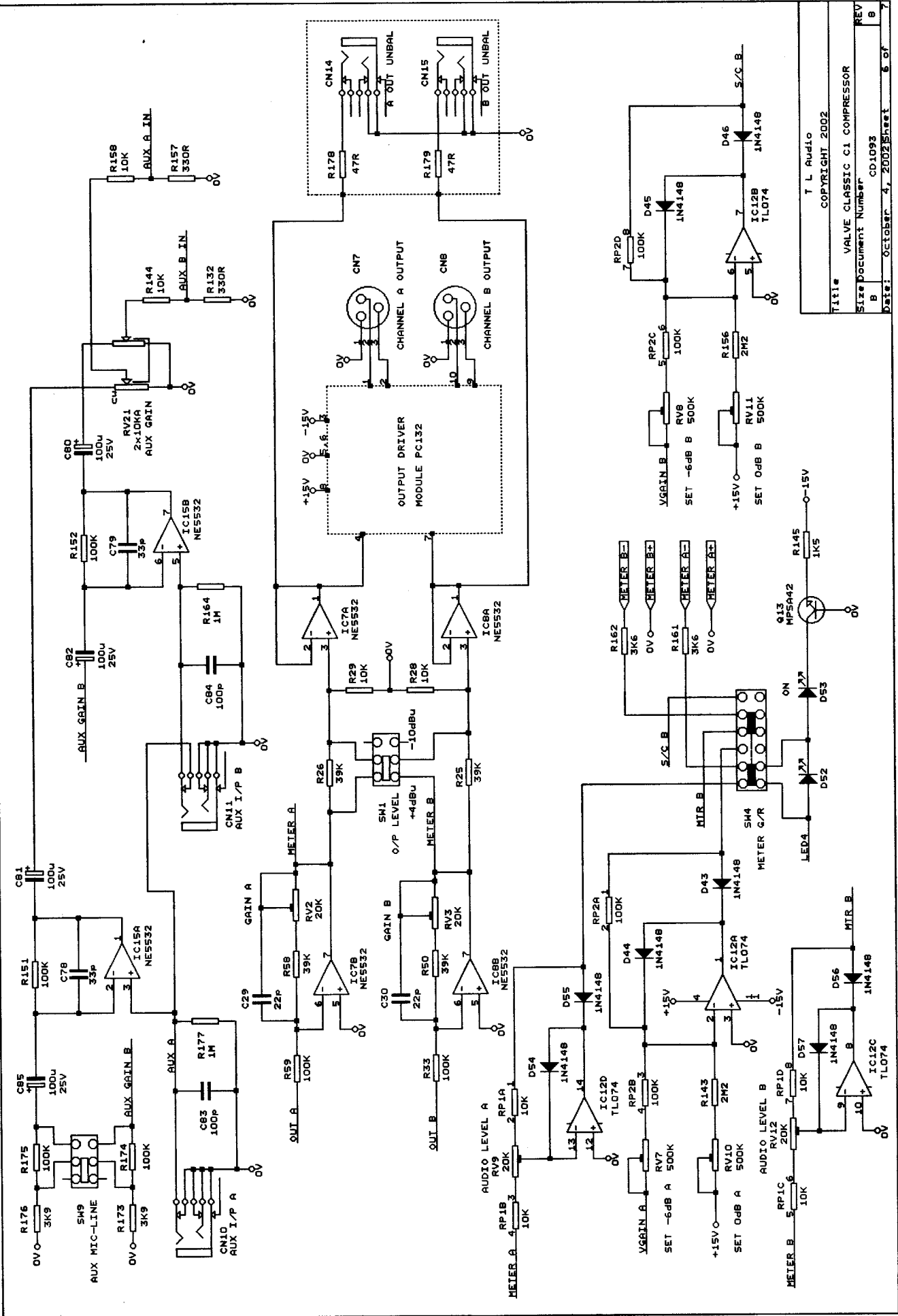
T L Audio
 COPYRIGHT 2002
 Title VALVE CLASSIC C1 COMPRESSOR
 Size document Number B
 Date: October 4, 2002 Sheet 2 of 8



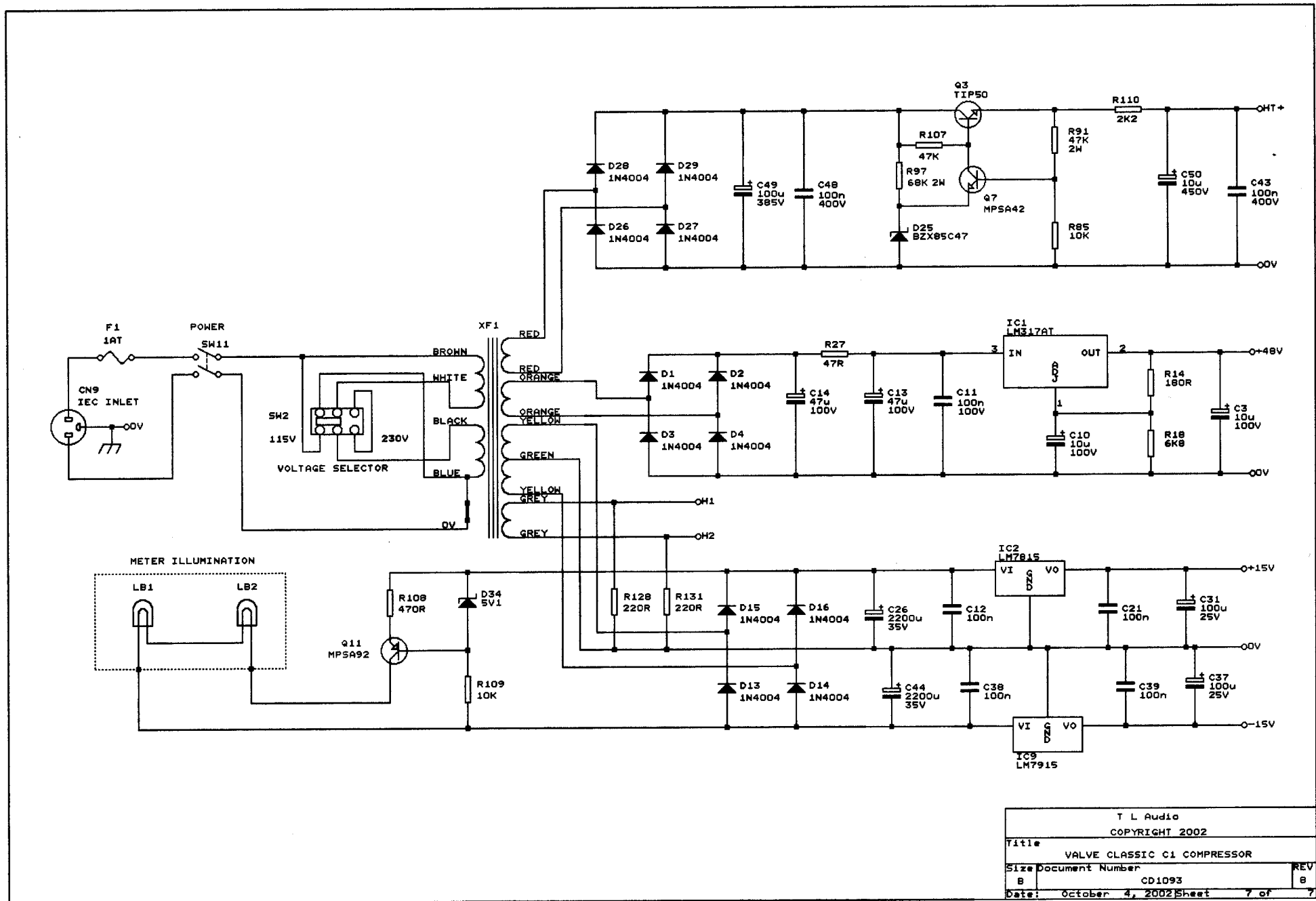
T L Audio	
COPYRIGHT 2002	
Title VALVE CLASSIC C1 COMPRESSOR	
Size	Document Number
B	CD1093
Date:	November 13, 2008 Sheet 4 of 7
REV	B



T L Audio	
COPYRIGHT 2002	
Title	
VALVE CLASSIC C1 COMPRESSOR	
Size Document Number	REV
B	8
Date: October 4, 2002	Sheet 5 of 7



T L Audio
 COPYRIGHT 2002
 Title VALVE CLASSIC C1 COMPRESSOR
 Size Document Number CD1093
 REV B
 Date: October 4, 2002 Sheet 5 of 7



T L Audio		
COPYRIGHT 2002		
Title VALVE CLASSIC C1 COMPRESSOR		
Size Document Number		REV
B	CD1093	B
Date: October 4, 2002 Sheet		7 of 7