

C1 SCHEMATICS

MIC INPUT

SHEET 2

VALVE STAGES

SHEET 4

AUX INPUT, OUTPUT + METERS

SHEET 6

COMPRESSOR A

SHEET 3

COMPRESSOR B

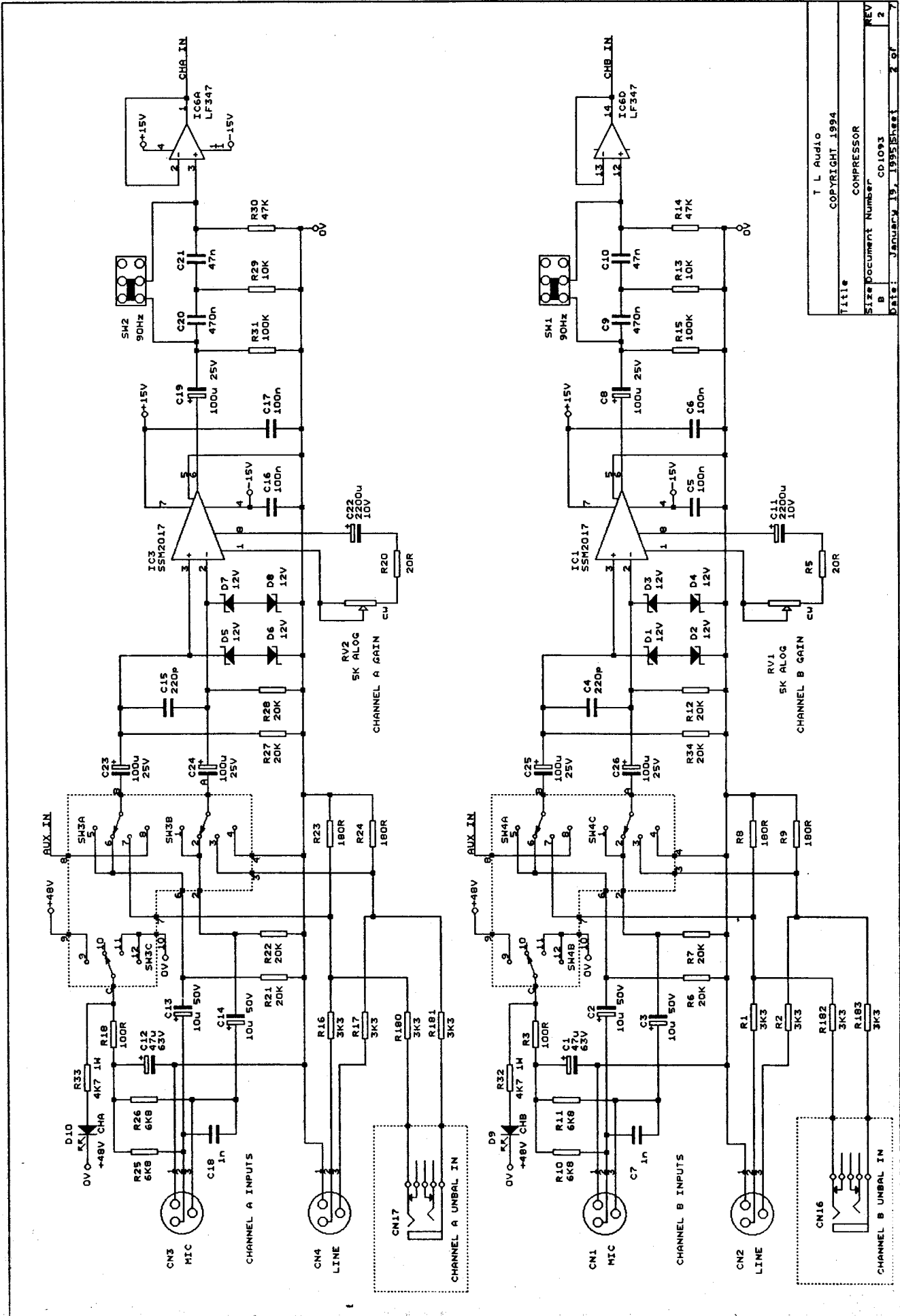
SHEET 5

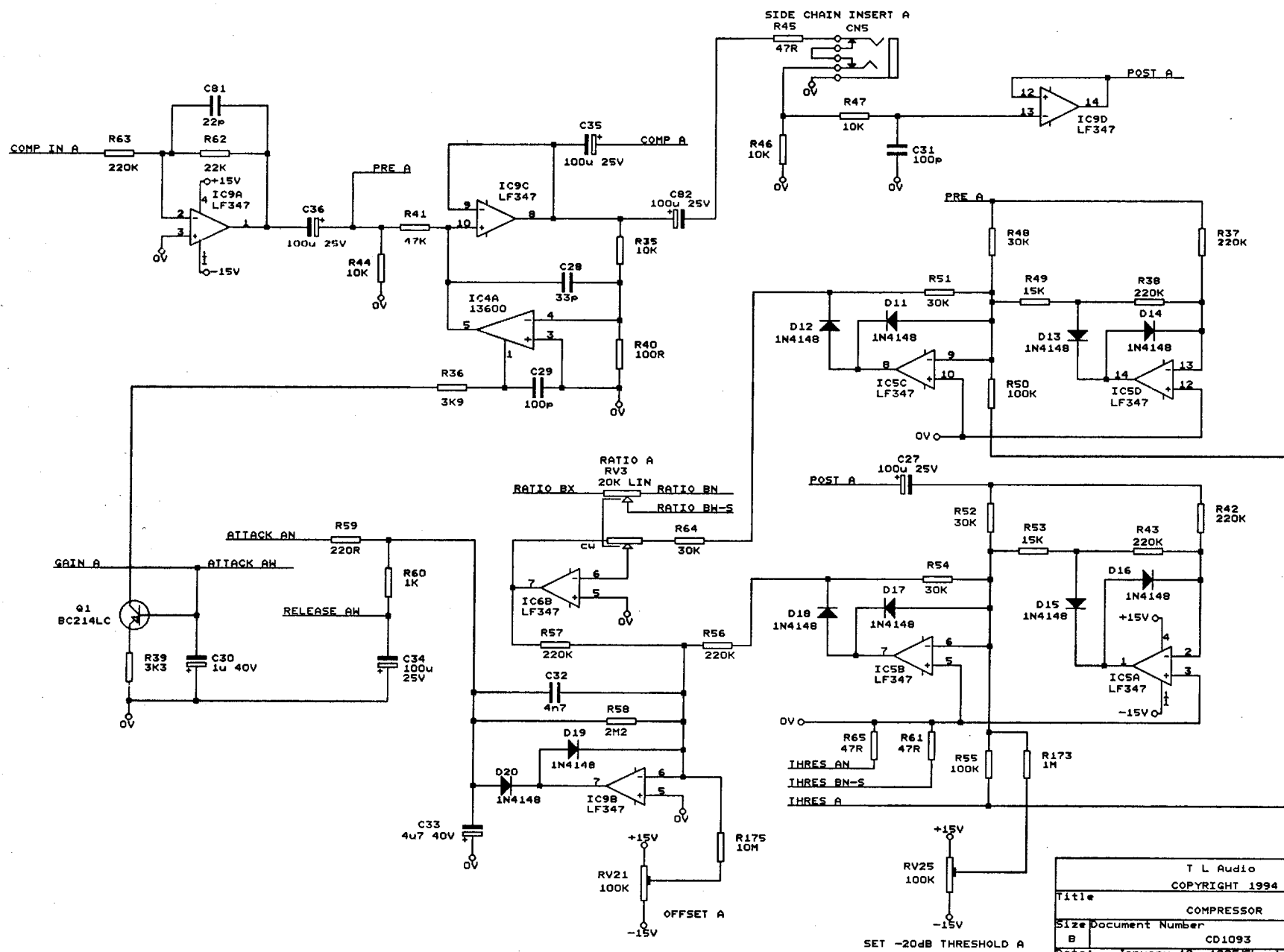
PSU

SHEET 7

C1 SCHEMATICS

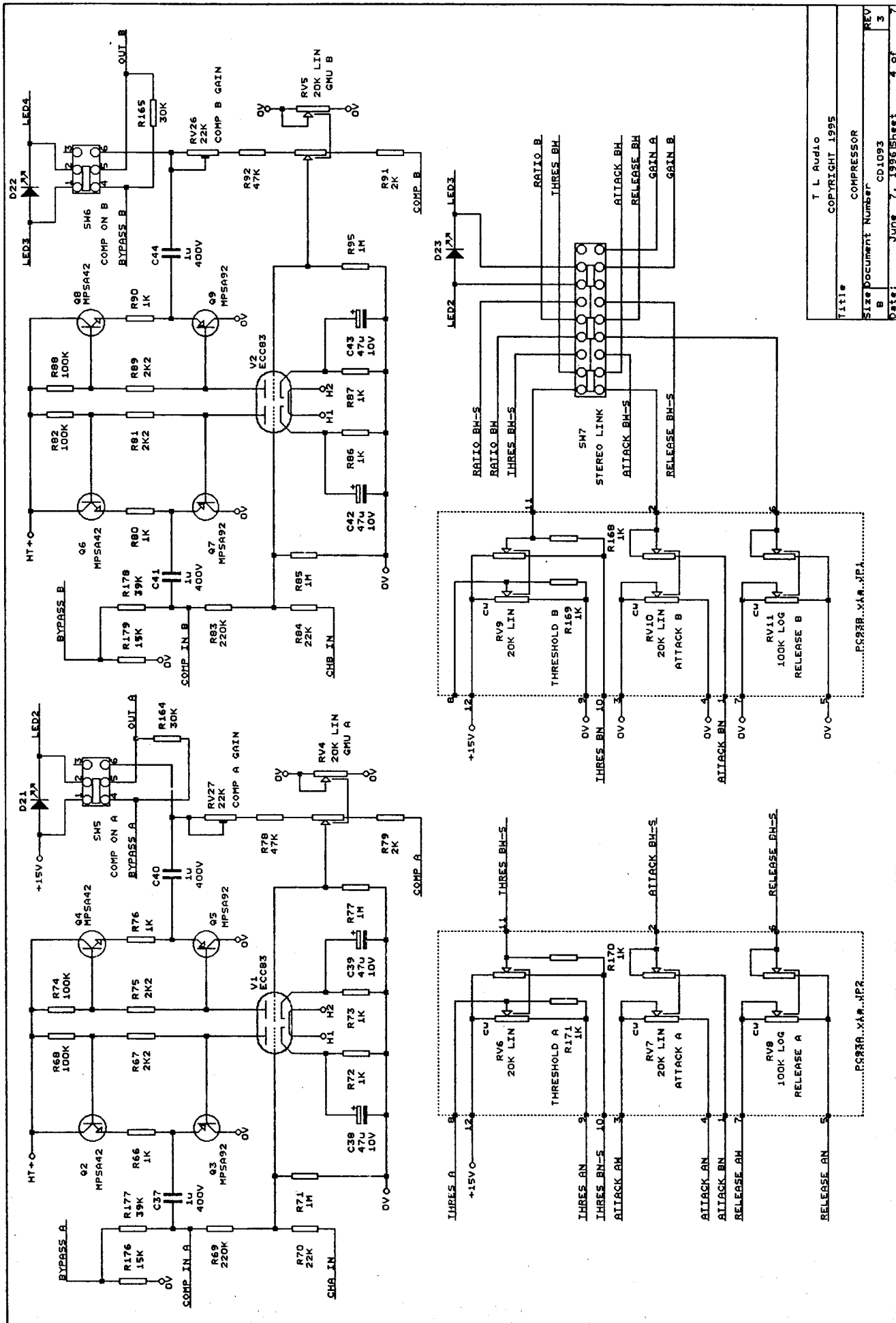
T L Audio	
COPYRIGHT 1994	
Title	VALVE COMPRESSOR
Size	B
Document Number	CD1093
REV	2
Date:	January 19, 1995
Sheet	1 of 7





T L Audio	
COPYRIGHT 1994	
Title	COMPRESSOR
Size Document Number	REV
B CD1093	2
Date: January 19, 1995	Sheet 3 of 7

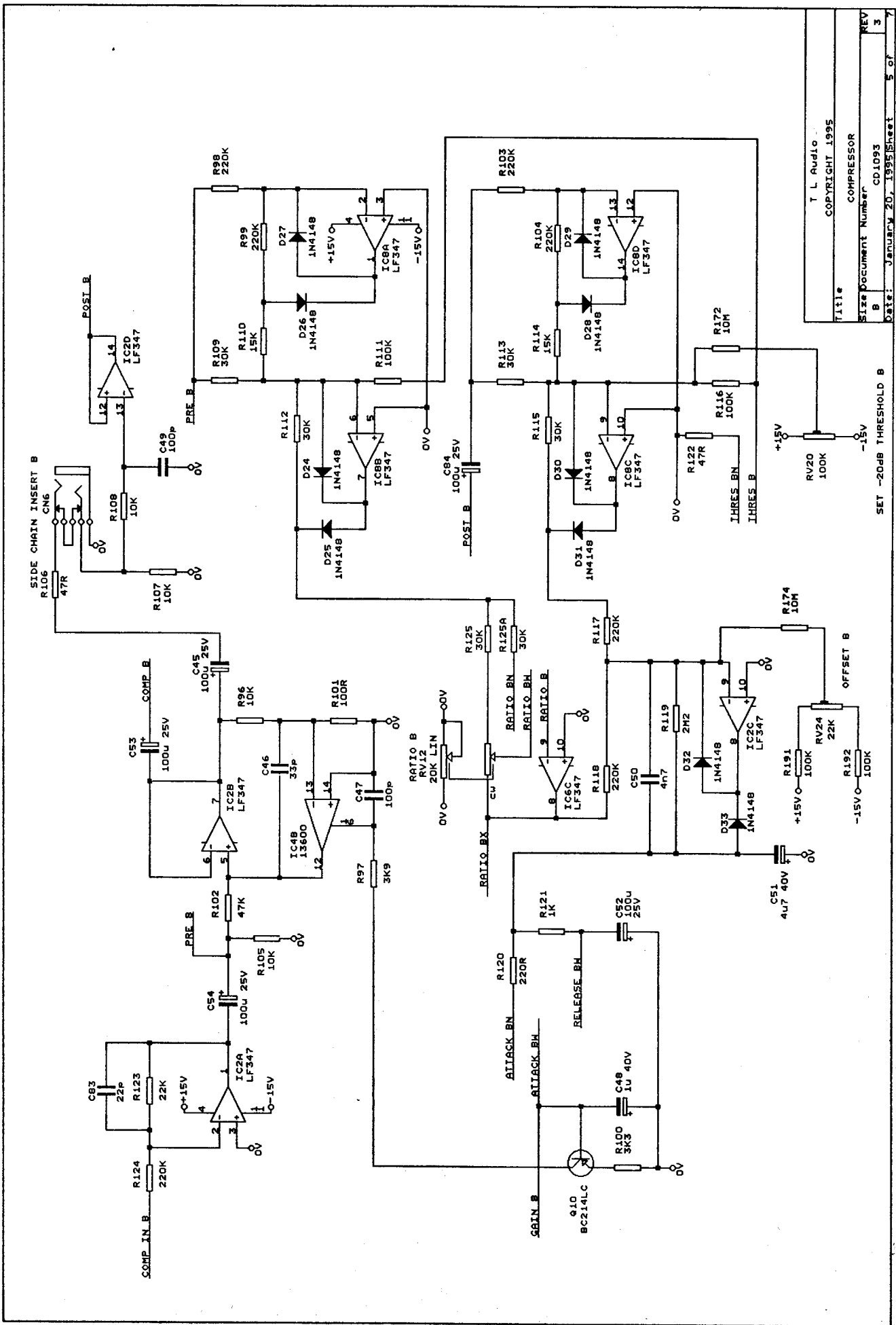
SET -20dB THRESHOLD A

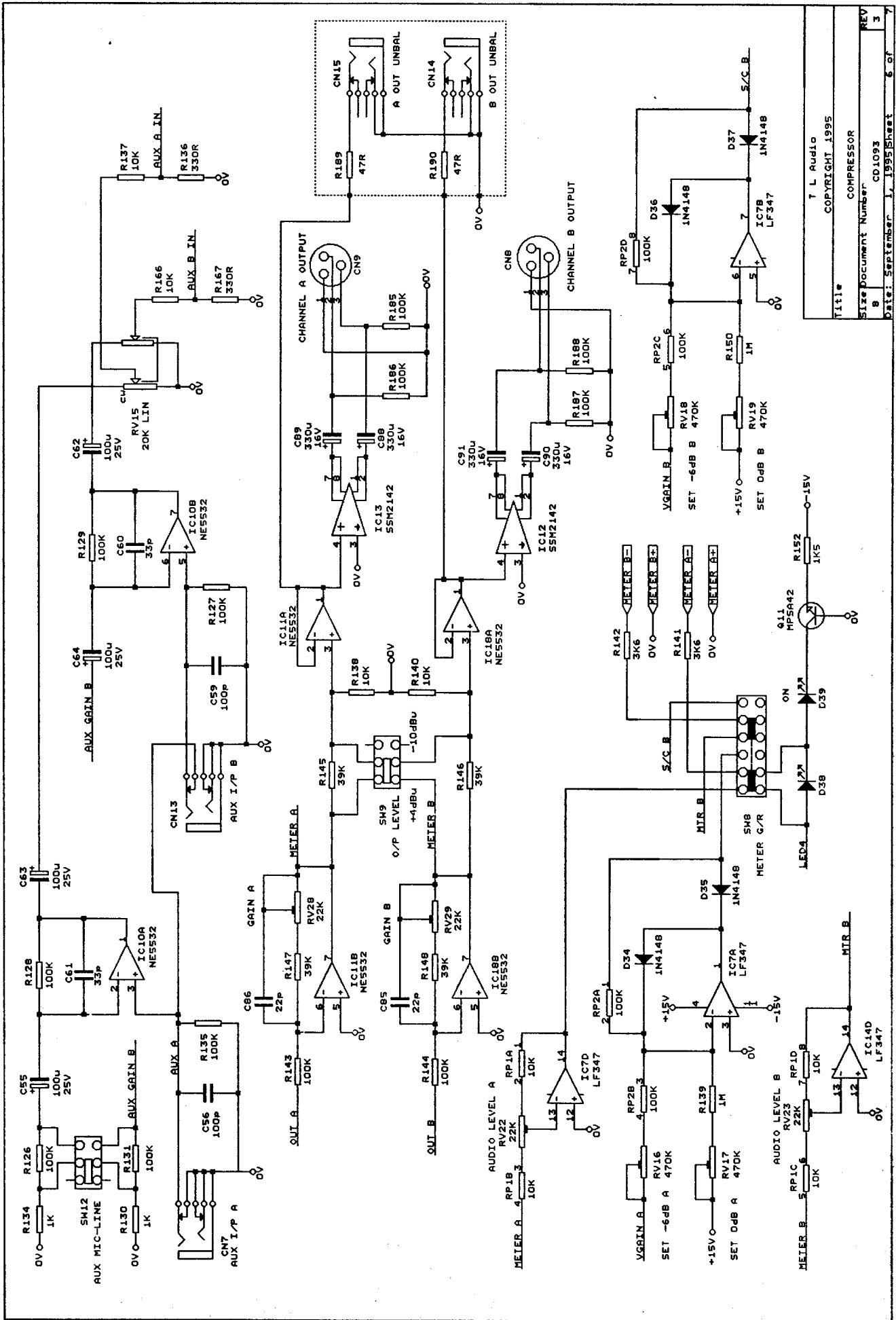


Title T L Audio
 Copyright 1995
 Size Document Number CD1093
 B COMPRESSOR
 Date: June 7, 1996 Sheet 4 of 7
 REV 3

...PC98B..X.A.M..JPA

...PC98B..X.A.M..JPA





Title
 Size Document Number
 Date: September 1, 1995 Sheet 6 of 7

T L Audio
 COPYRIGHT 1995
 COMPRESSOR

REV 3
 CD1093

MIC INPUT SHEET 2

VALVE STAGES SHEET 4

AUX INPUT, OUTPUT + MEIERS SHEET 6

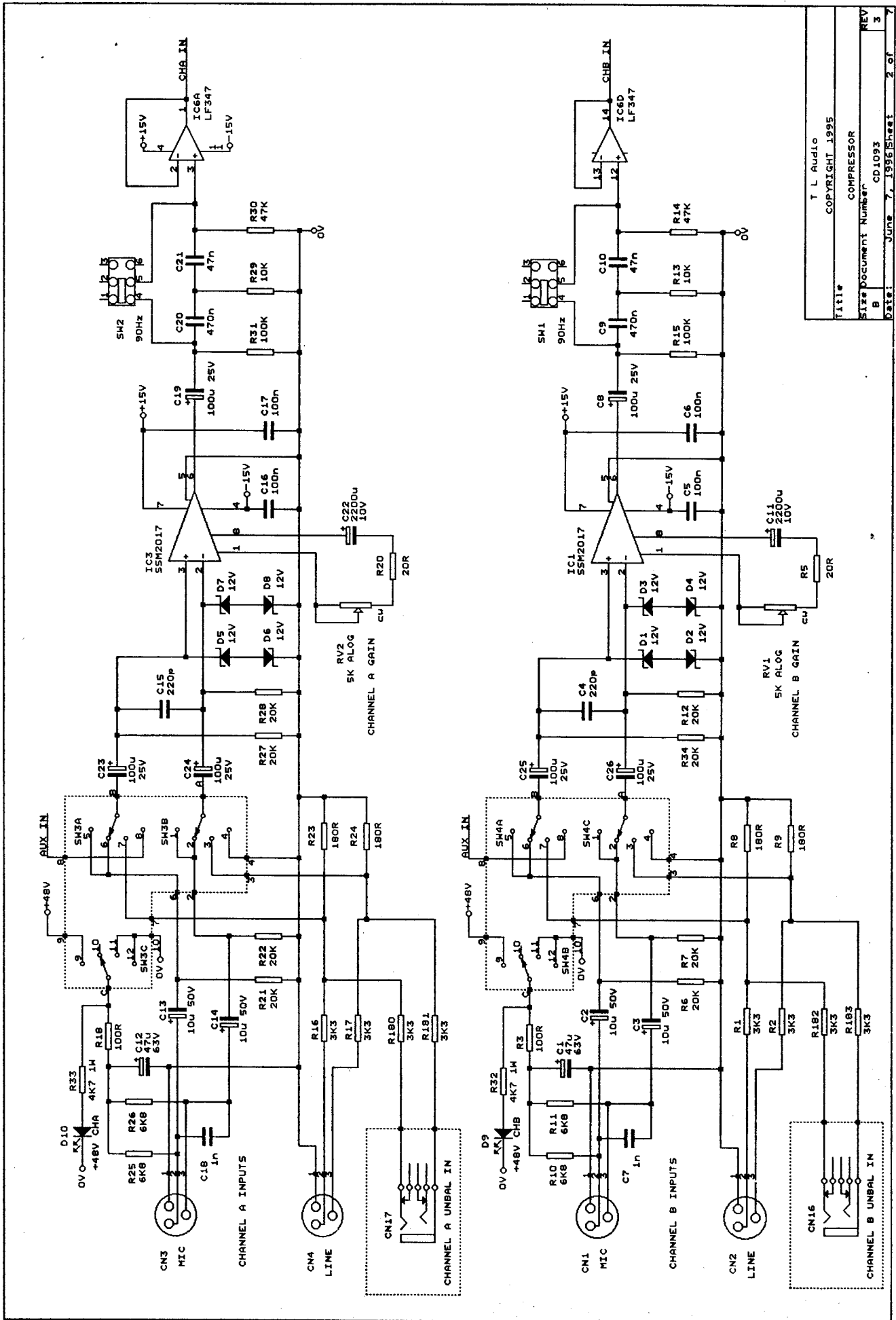
COMPRESSOR A SHEET 3

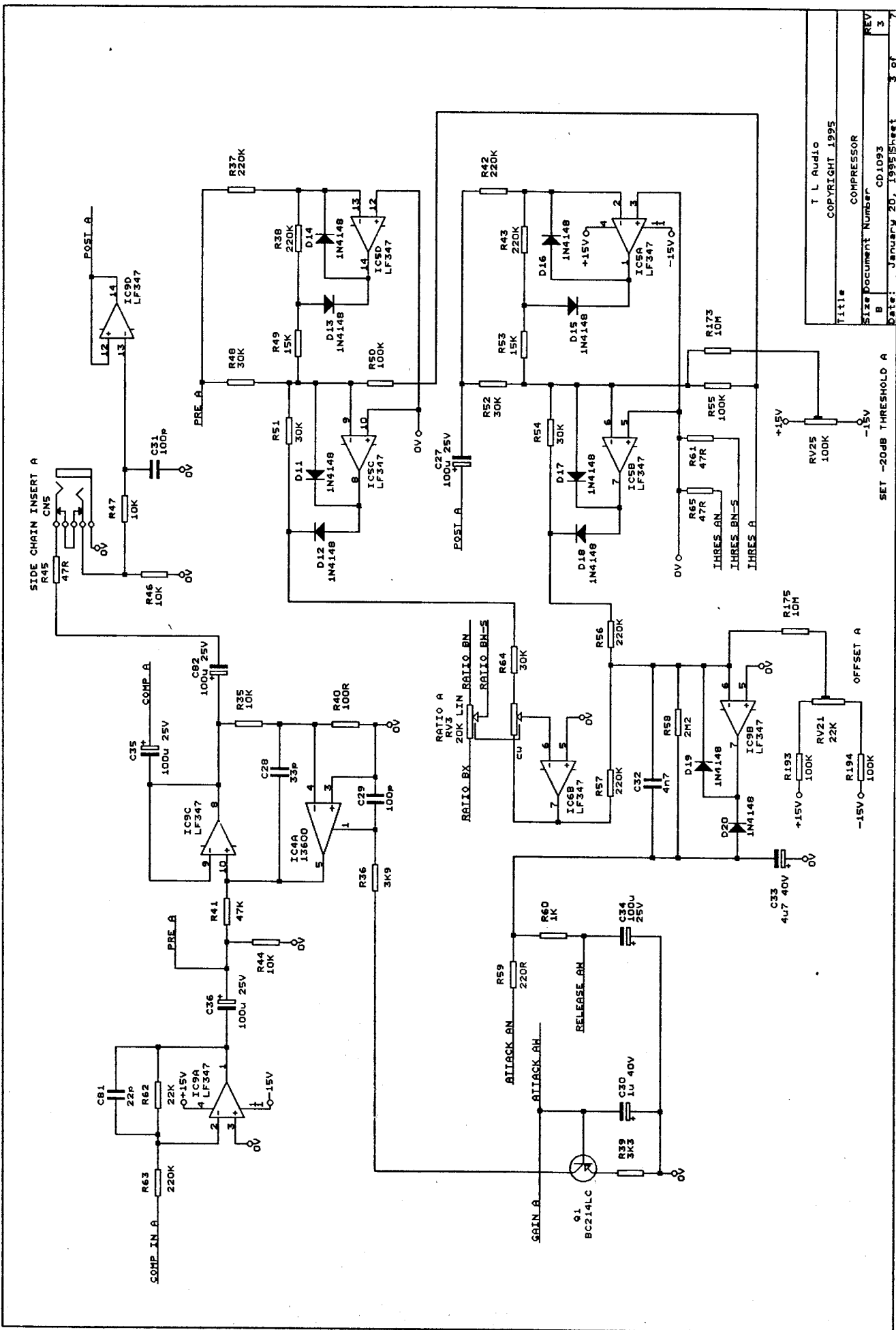
COMPRESSOR B SHEET 5

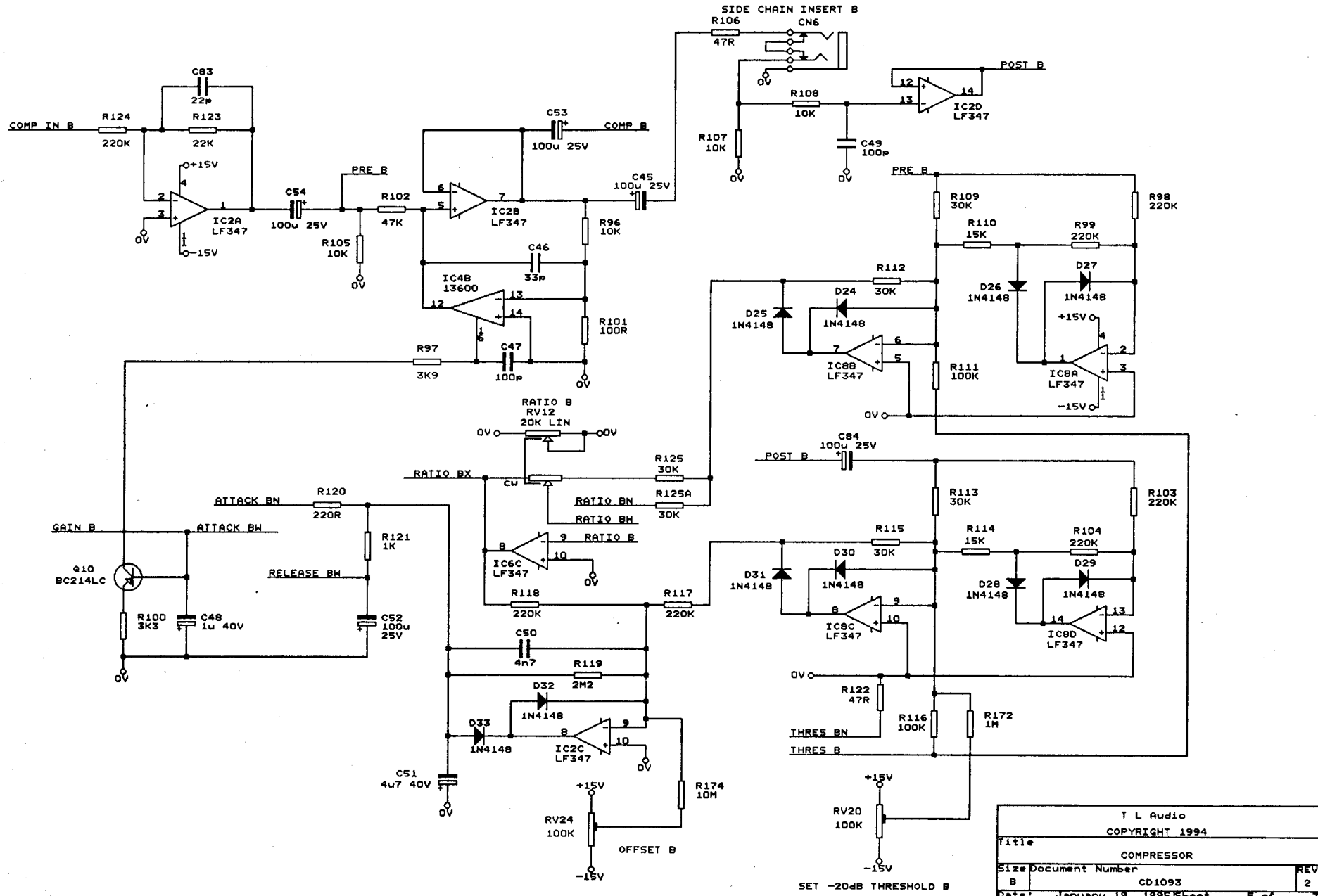
PSU SHEET 7

C1 SCHEMATICS

T L Audio	
COPYRIGHT 1994	
Title	VALVE COMPRESSOR
Size	Document Number
B	CD1093
REV	3
Date:	December 16, 1995
Sheet	1 of 7

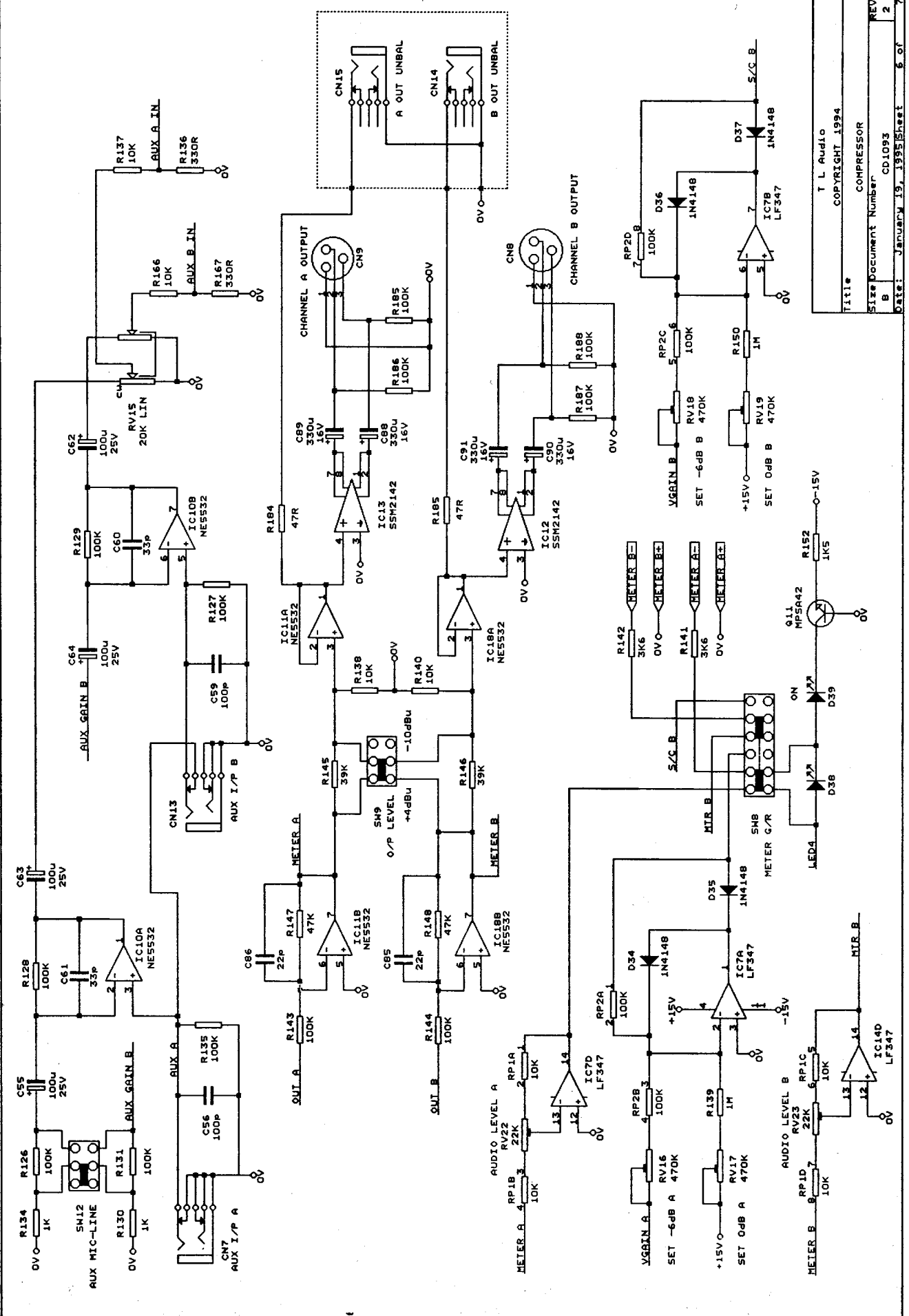






T L Audio	
COPYRIGHT 1994	
Title	
COMPRESSOR	
Size	Document Number
B	CD1093
Date:	January 19, 1995 Sheet 5 of 7

SET -20dB THRESHOLD B



Title T L Audio
 Copyright 1994
 Size Document Number B CD1093
 Date: January 19, 1995 Sheet 6 of 7 REV 2

