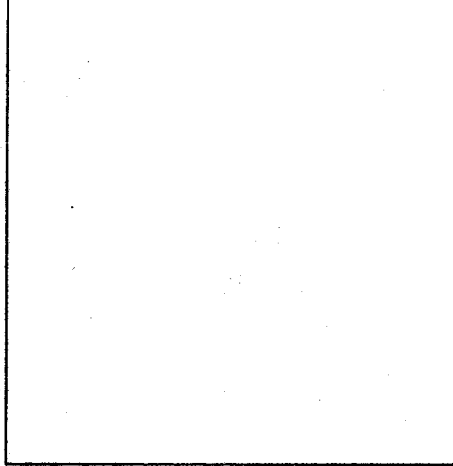
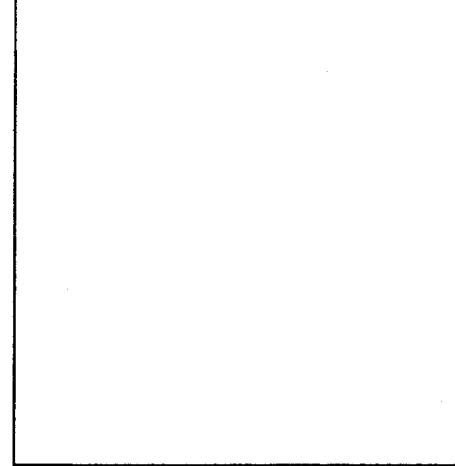


**C1 SCHEMATICS**  
**SERIAL NUMBER**  
**120051 ONWARDS**

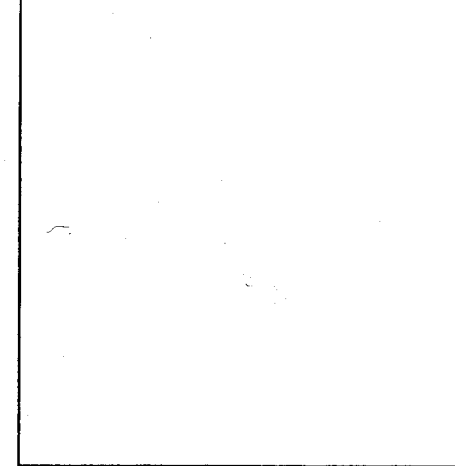
MIC INPUT SHEET 2



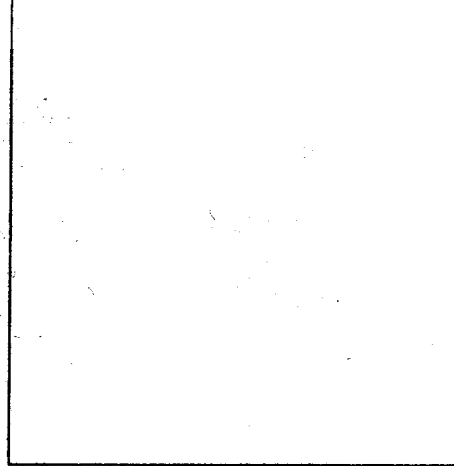
VALVE STAGES SHEET 4



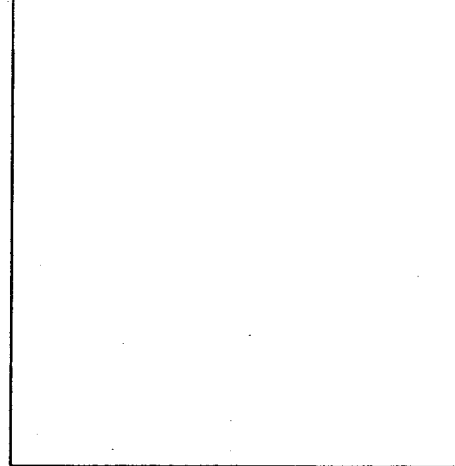
AUX INPUT, OUTPUT + METERS SHEET 6



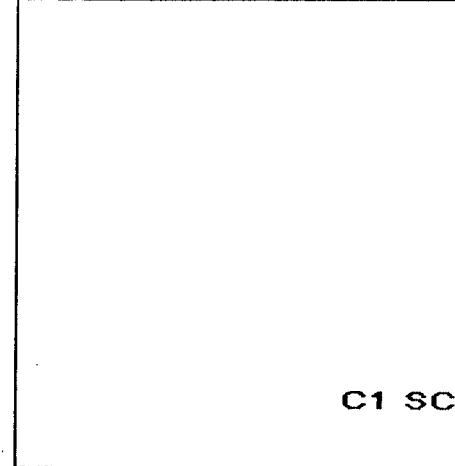
COMPRESSOR A SHEET 3



COMPRESSOR B SHEET 5



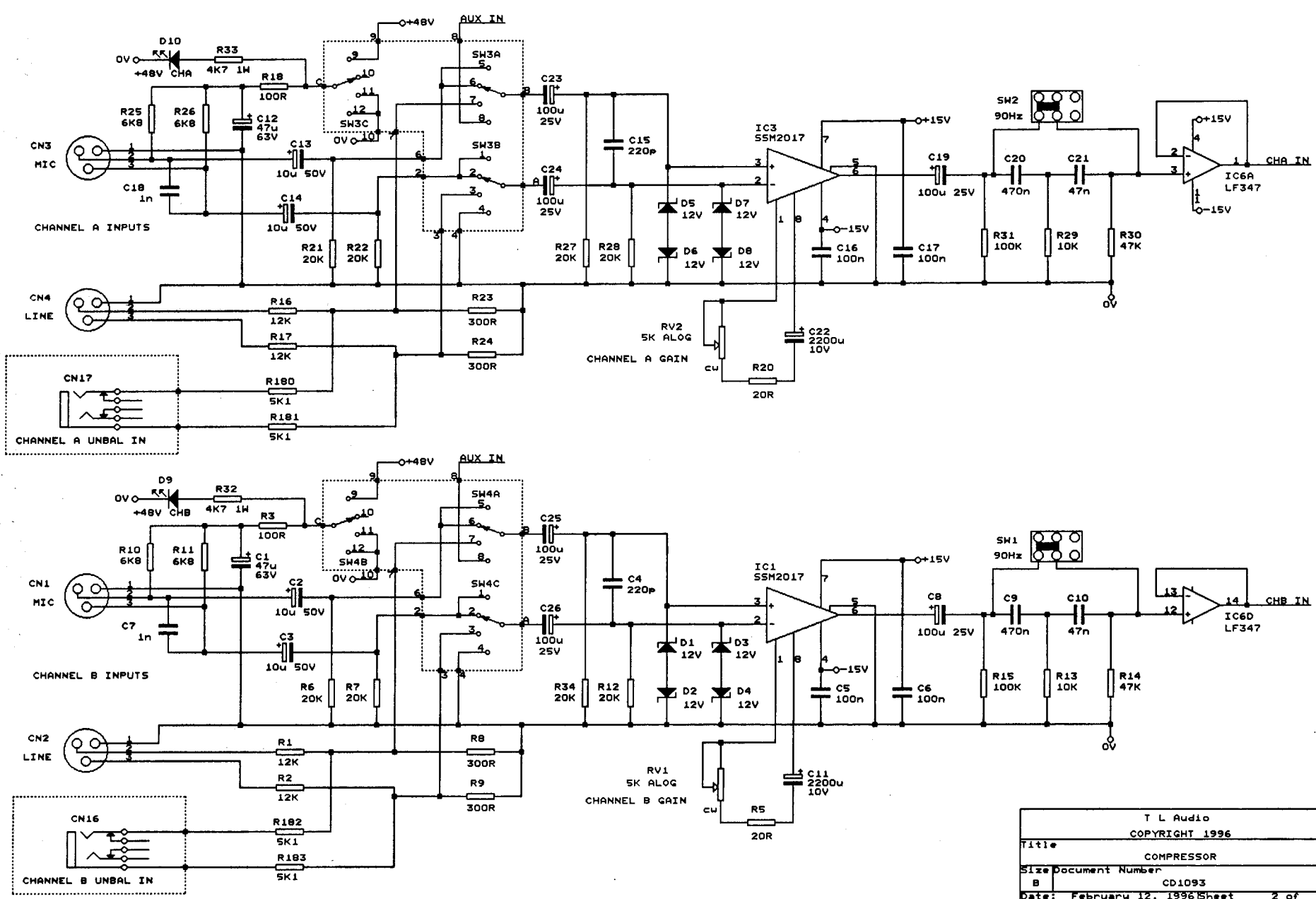
PSU SHEET 7



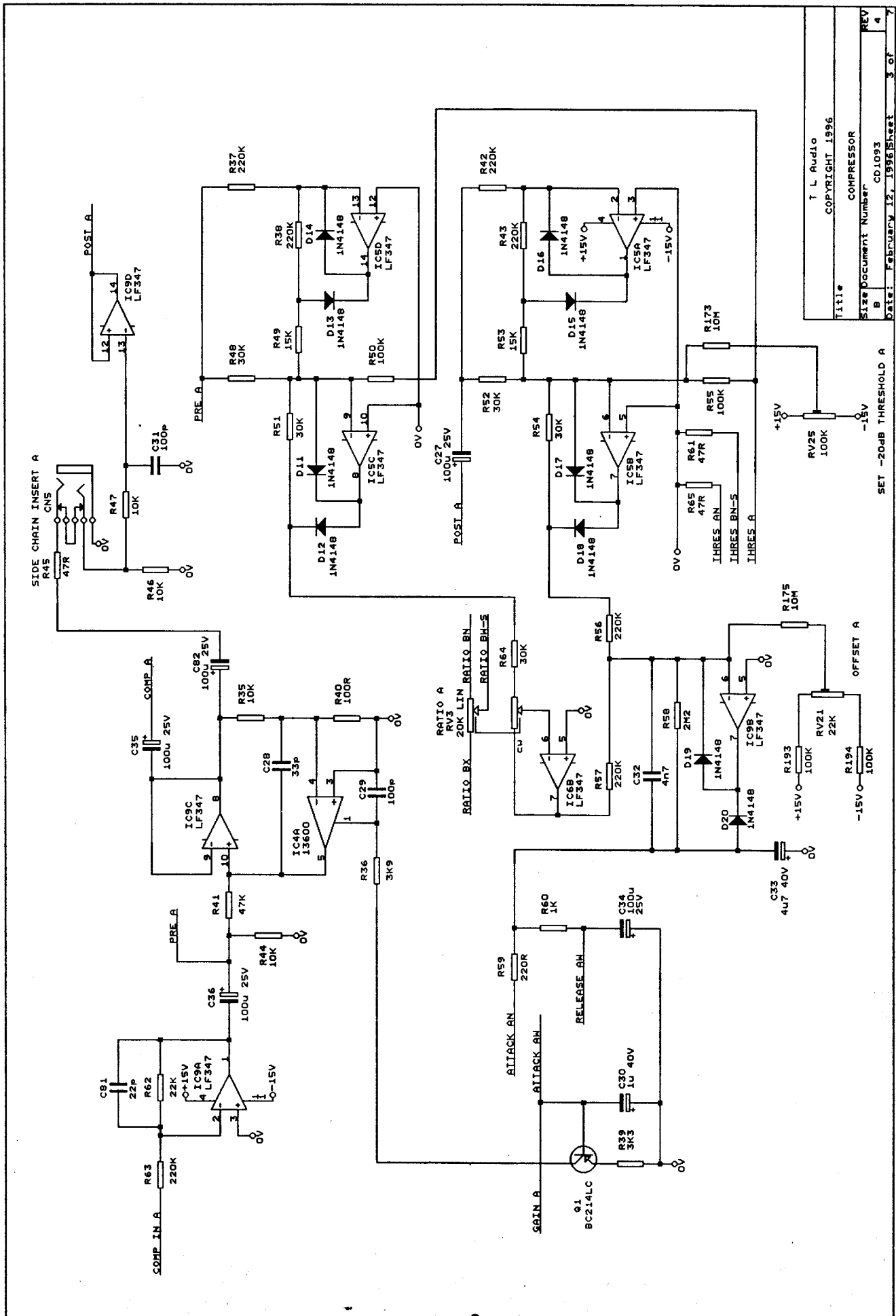
**C1 SCHEMATICS**

Applies to serial numbers  
120051 onwards.

T L Audio		COPYRIGHT 1996	
Title		VALVE COMPRESSOR	
Size	Document Number	REV	
B	CD1093	4	
Date: February 12, 1996		Sheet	1 of 7

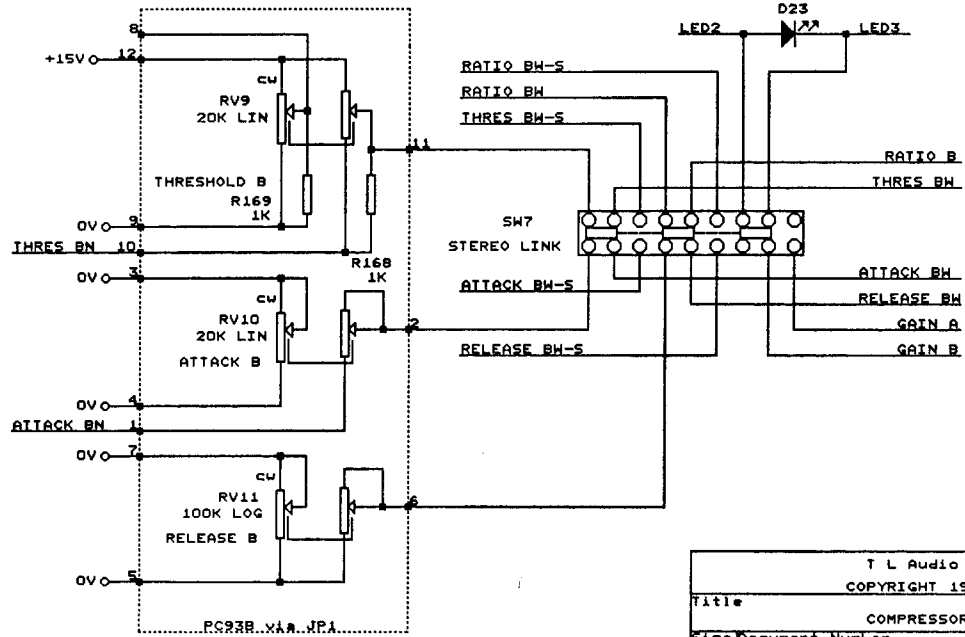
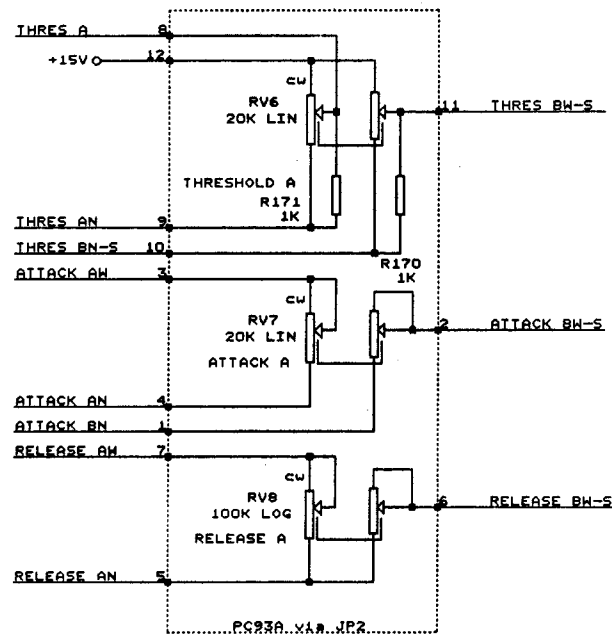
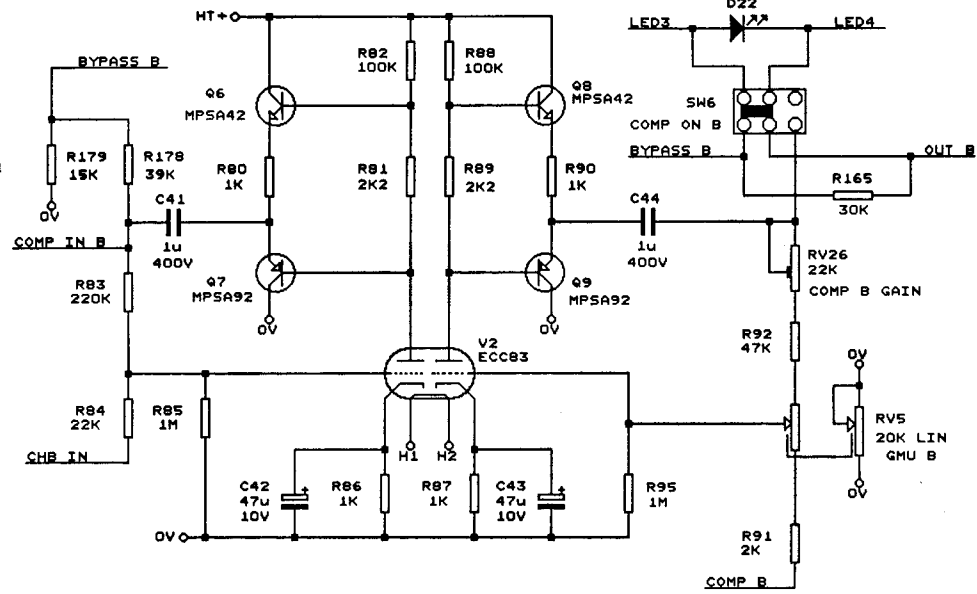
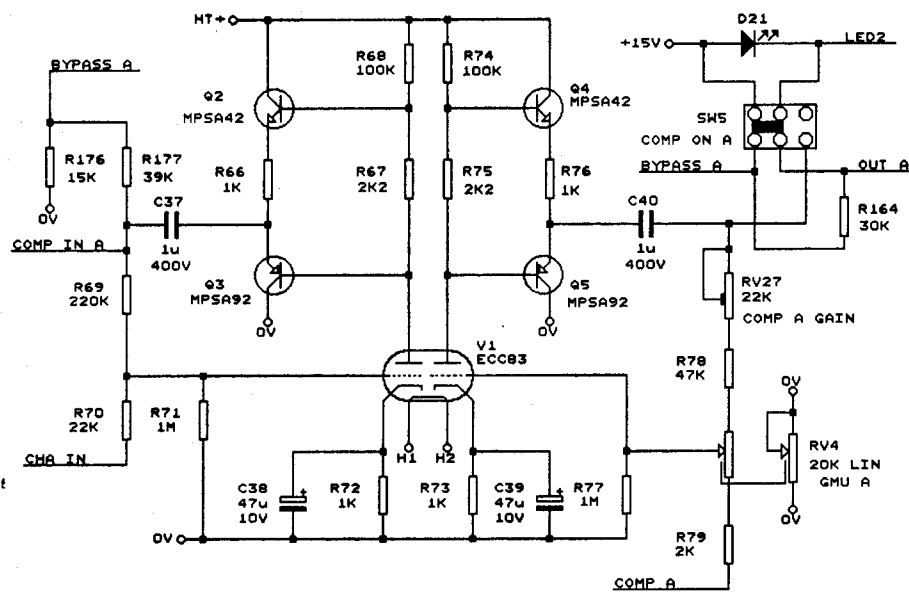


T L Audio		
COPYRIGHT 1996		
Title		
COMPRESSOR		
Size	Document Number	REV
B	CD1093	4
Date: February 12, 1996 Sheet 2 of 7		

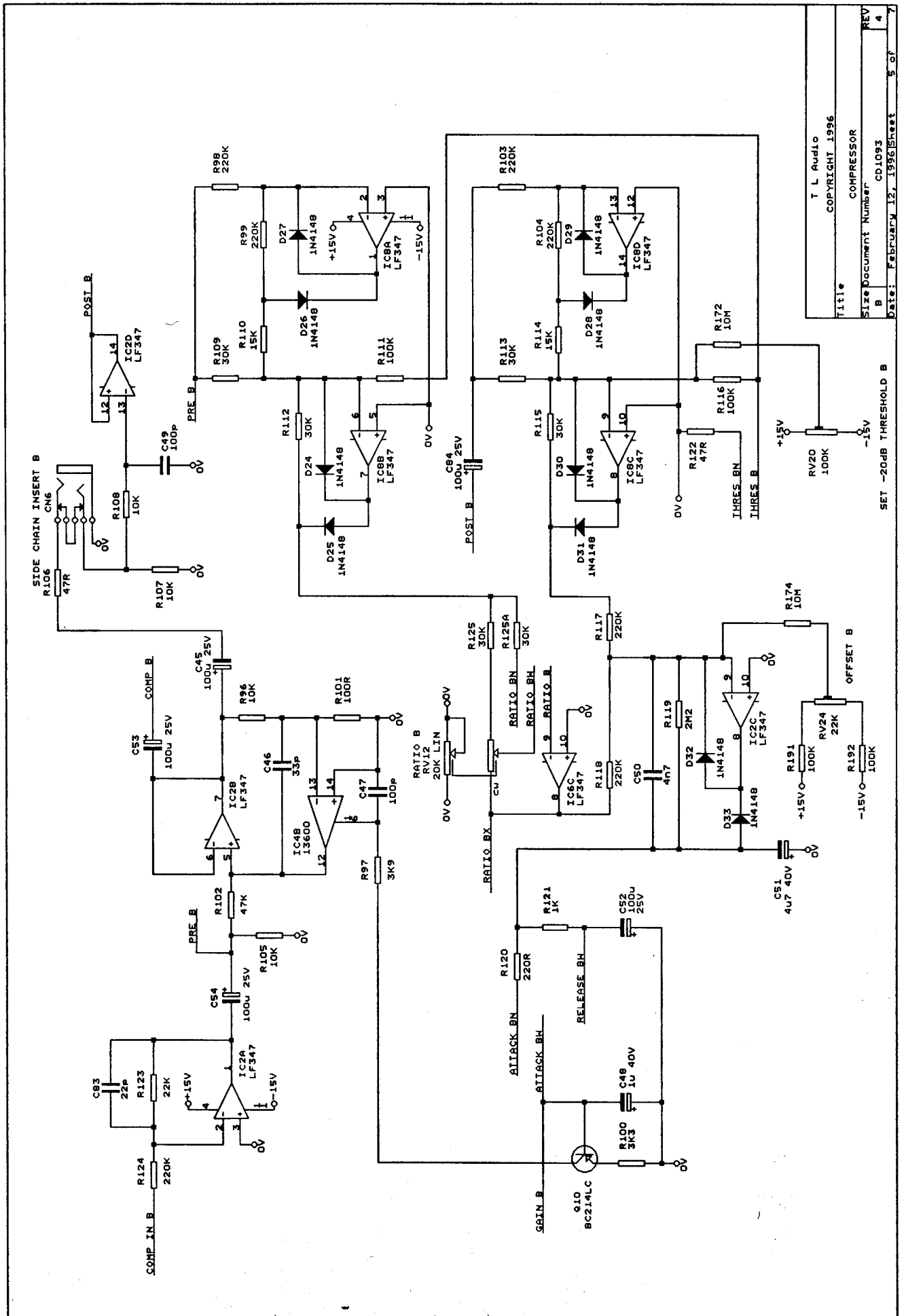


Title	
T L Audio	COMPRESSOR
Copyright 1996	
Size	Document Number CD1093
REV	4
Date:	February 12, 1996 Sheet 3 of 7

SET -20dB THRESHOLD A



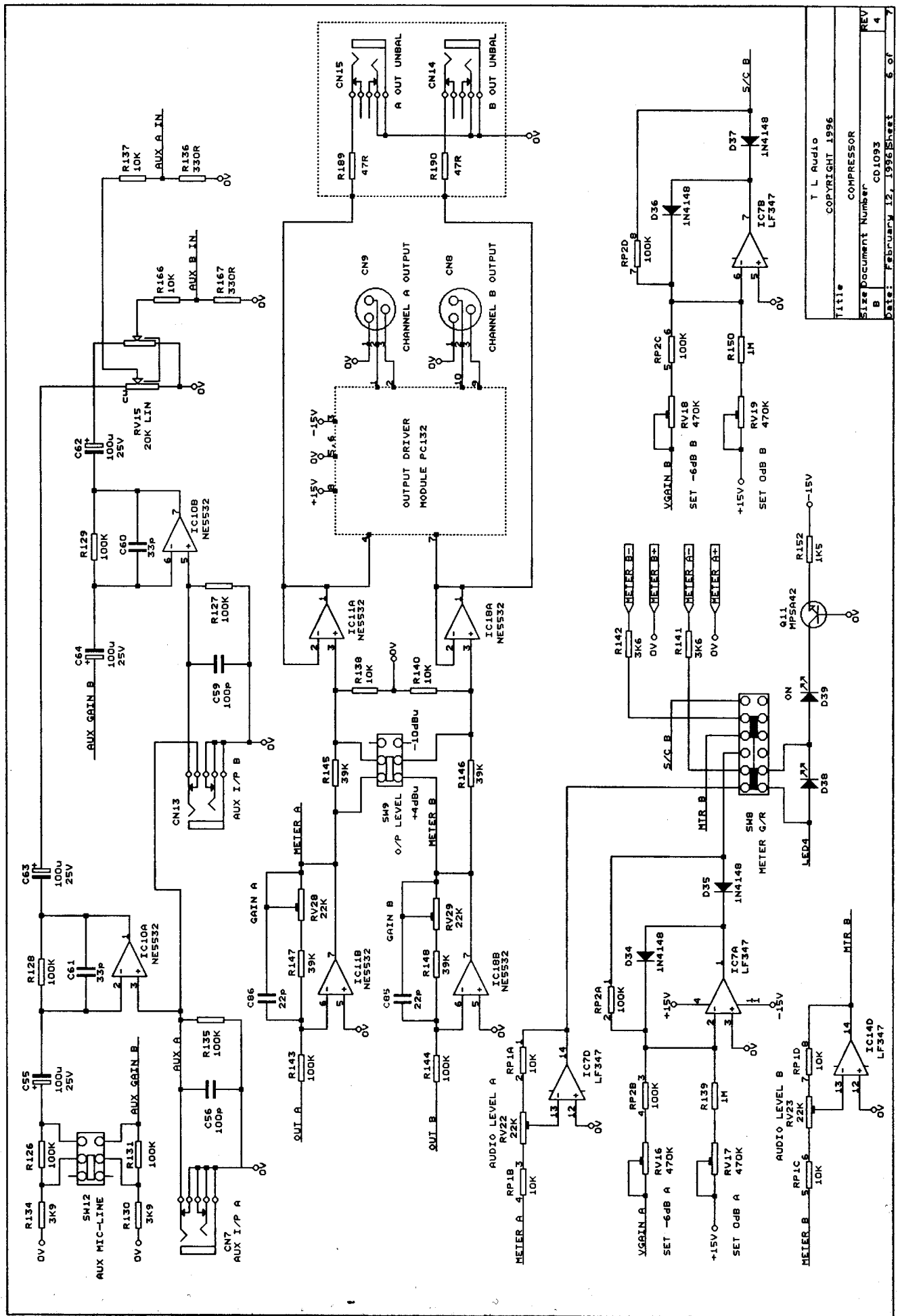
T L Audio	
COPYRIGHT 1996	
Title COMPRESSOR	
Size Document Number	REV
B CD1093	4
Date: February 12, 1996	Sheet 4 of 7



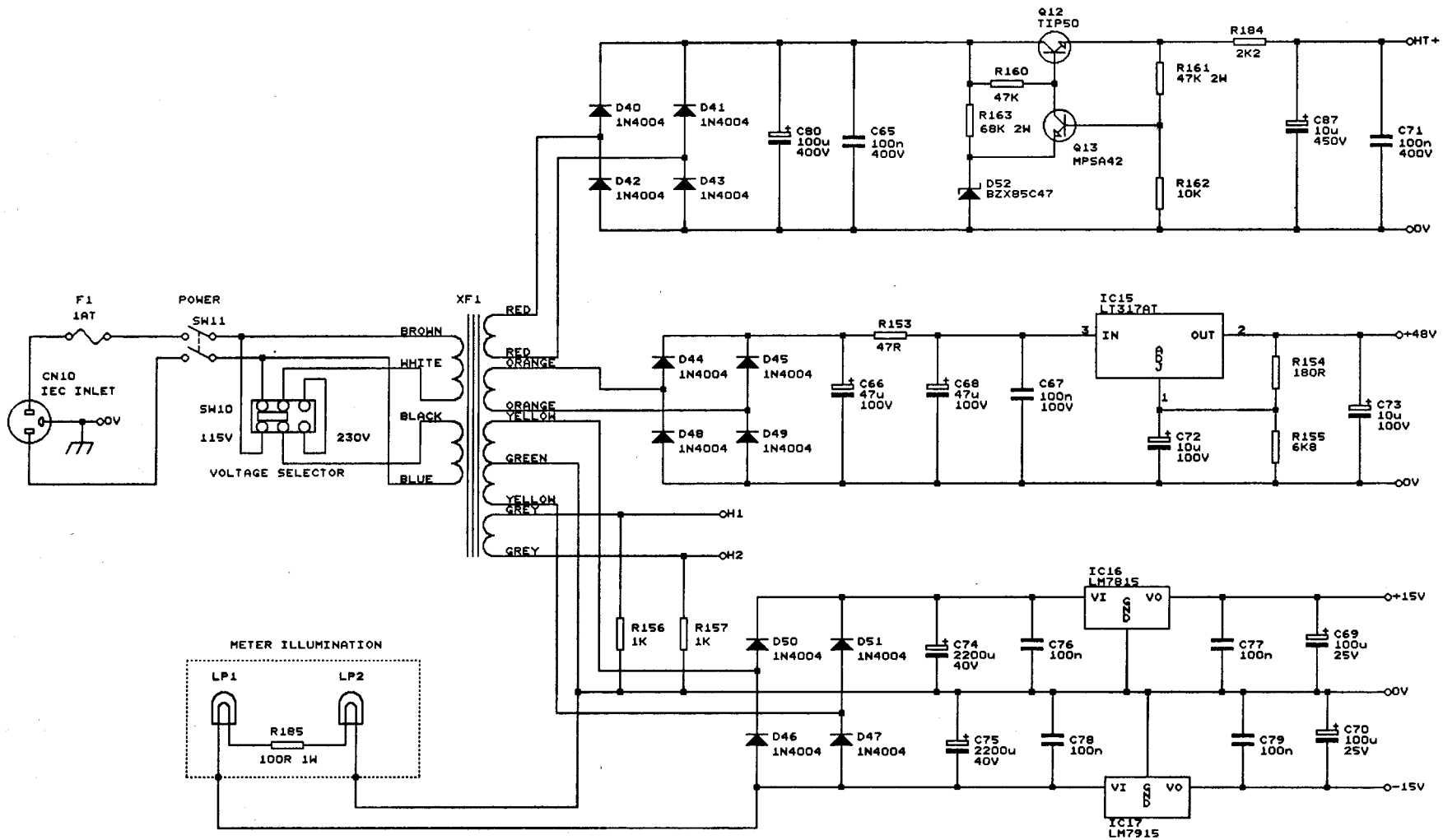
T L Audio  
 COPYRIGHT 1996  
 Title COMPRESSOR  
 Size Document Number CD1093  
 B  
 Date: FEBRUARY 12, 1996 Sheet 5 of 7

REV 4

SET -20dB THRESHOLD B

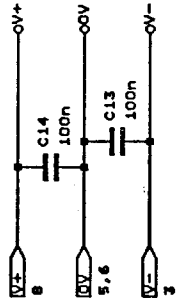
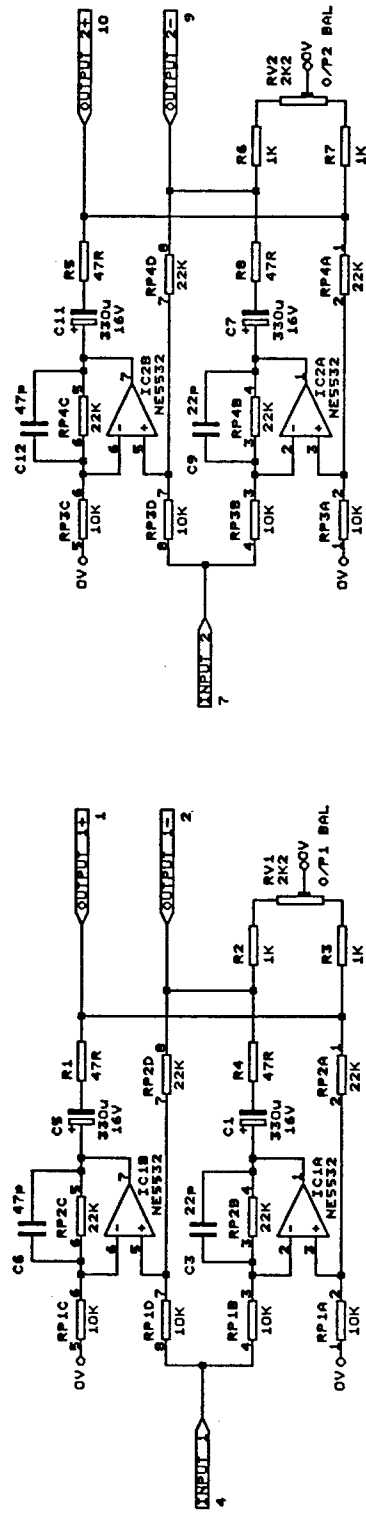


Title	T L Audio
Copyright	COPYRIGHT 1996
Size	COMPRESSOR
Document Number	CD1093
REV	4
Date	February 12, 1996 Sheet 6 of 7



T L Audio	
COPYRIGHT 1996	
Title	
COMPRESSOR	
Size	Document Number
B	CD1093
Date:	February 12, 1996 Sheet 7 of 7





TL Audio	
COPYRIGHT 1995	
TITLE DUAL OUTPUT STAGE	
Size document Number	CD1132
REV	1
Date:	December 7, 1995 Sheet 1 of 1