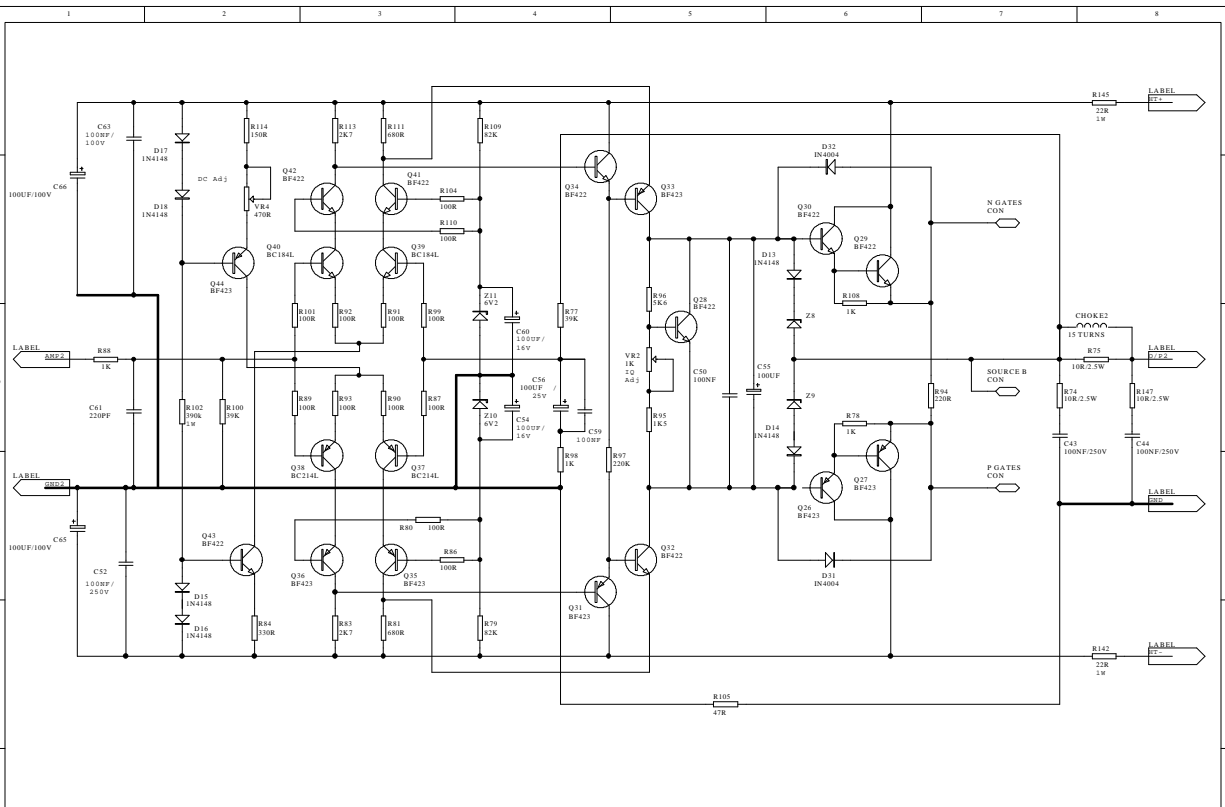


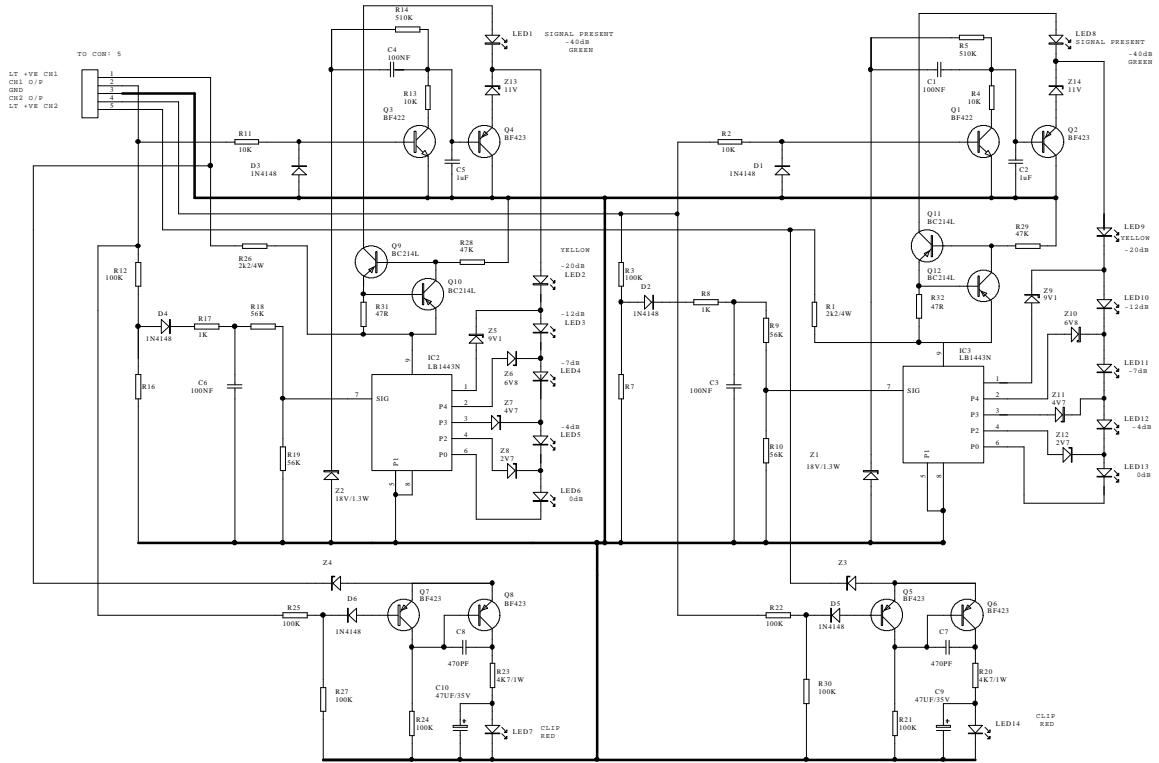
**RA4001 OUTPUT STAGE B**  
**CI031/6**

| Rev | Number | Revision |
|-----|--------|----------|
| 1   | 1      | 1        |
| 2   | 2      | 2        |



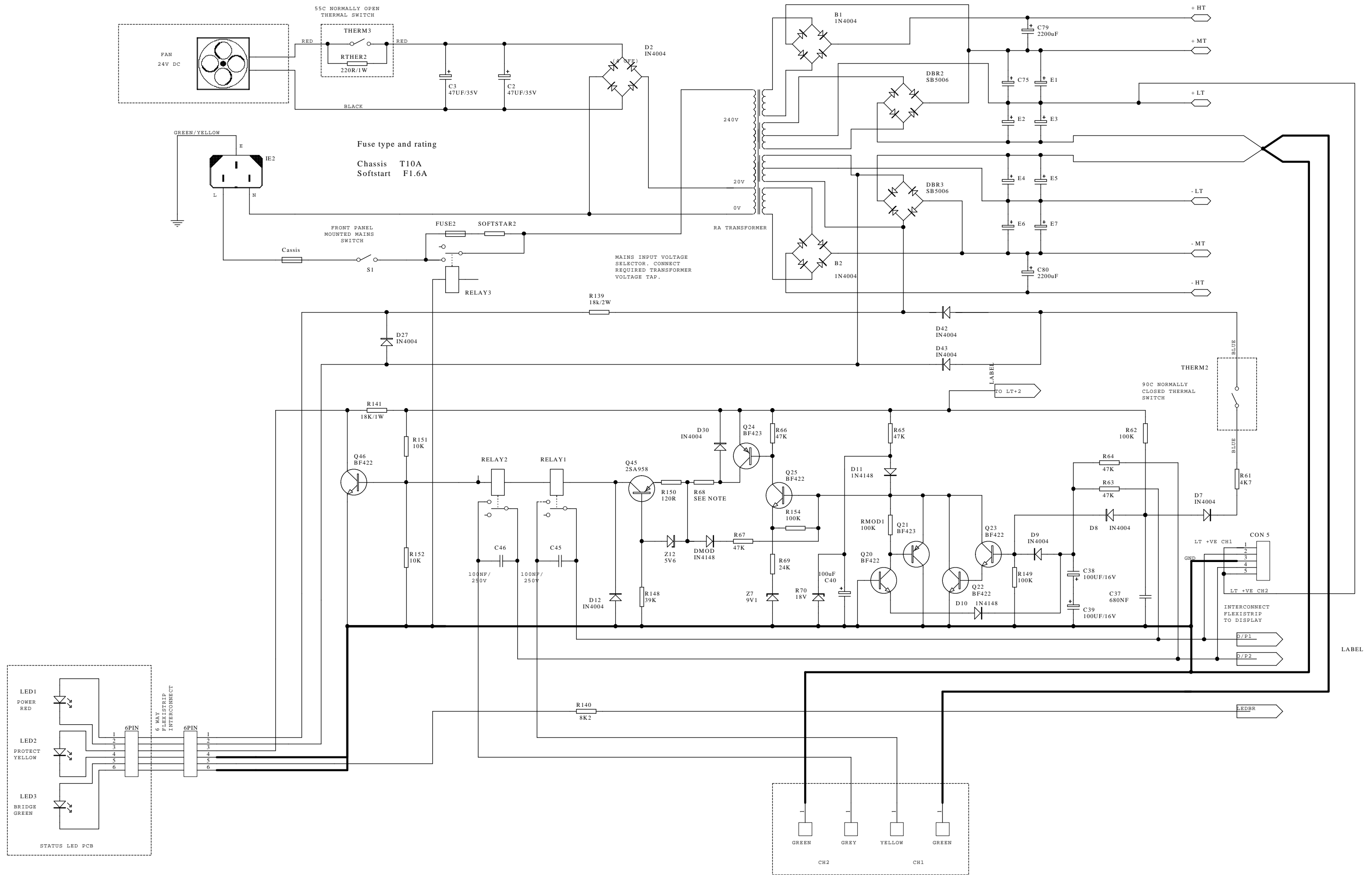


| RA4001 CHANNEL B |                                   |          |     |
|------------------|-----------------------------------|----------|-----|
| Size             | Num                               | Revision |     |
| A3               | C1031/5                           | 2        |     |
| Date:            | 2-Aug-1991                        | Sheet of | 7   |
| File:            | 0-PROJ-RA4CHANNEL.B.S01(Drawn By) |          | END |



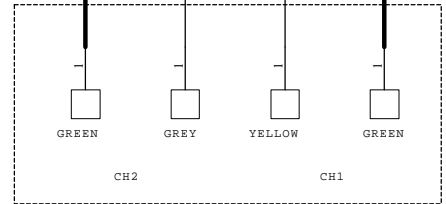
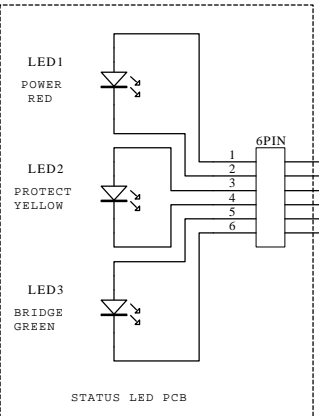
| Title           |                        |          |     |
|-----------------|------------------------|----------|-----|
| RA DISPLAY CARD |                        |          |     |
| Size            | Number                 | Revision |     |
| A3              | RA DISPLAY             | 3        |     |
| Date:           | 2 Aug 1977             | Sheet of | 6   |
| File:           | 0-PROV1-RA-DISPLAY-306 | Drawn by | SLD |





Fuse type and rating  
 Chassis T10A  
 Softstart F1.6A

MAINS INPUT VOLTAGE SELECTOR. CONNECT REQUIRED TRANSFORMER VOLTAGE TAP.



|                           |                 |               |
|---------------------------|-----------------|---------------|
| Title RA PROTECTION & PSU |                 |               |
| Size A2                   | Number RAIMIN 5 | Revision 1    |
| Date: 14-Jul-2000         | Sheet 5 of 5    | Drawn By: TUD |