



Champion™ 600

(This is the model name for warranty claims)

p/n 233-0100-000 (120V)

SERVICE MANUAL



ATTENTION:

WARRANTY SERVICE PROCEDURES

The Champion 600 Amplifier is **not** available for warranty field service. However; any Champion 600 that is presented for warranty service should be tested for bad tubes. If the defect is due to a failed tube, and the tube warranty has expired, the consumer/dealer will be responsible for tube replacement costs. If the tube warranty has not expired contact FMIC Customer Service for replacement tubes. If the defect is not tube related please contact FMIC Customer Service to arrange for a replacement amplifier.



June, 2007

IMPORTANT NOTICE

• Copyright © 2006 FMIC. All rights reserved. All information contained herein is CONFIDENTIAL and PROPRIETARY and is the property of Fender® Musical Instruments Corporation. It is not to be sold or assigned to another party and is disclosed solely for use by Fender Authorized Service Centers for purposes of product service and maintenance. All information is not to be disclosed to others without the expressed permission of Fender® Musical Instruments Corporation. All

specifications are subject to change without notice. This information and any copies produced electronically or otherwise must be surrendered upon demand of Fender® Musical Instruments Corporation.

- Parts marked with two asterisks (**) indicate the required use of that specific part. This is necessary for RELIABILITY and SAFETY requirements. **DO NOT USE A SUBSTITUTE!**

PARTS LIST CODES

The description codes used in the itemized Parts Lists are defined below:

CAPACITOR CODES

CAP AE = Aluminum Electrolytic
CAP CA = Ceramic Axial
CAP CD = Ceramic Disk
CAP CR = Ceramic Radial
CAP MPF = Metalized Polyester Film
CAP MY = Mylar
CAP PFF = Polyester Film/Foil

RESISTOR CODES

RES CC = Carbon Comp
RES CF = Carbon Film
RES FP = Flame Proof
RES MF = Metal Film
RES MOX = Metal Oxide
RES WW = Wire Wound

HARDWARE CODES

BLX = Black Oxide
CR = Chrome Plated
HWH = Hex Washer Head
M = Machine Screw
NI = Nickel Plated
OHP = Oval Head Phillips
PB = Particle Board
PHP = Pan Head Phillips
PHPS = Pan Head Phillips Sems
SMA = Sheet Metal "A" Point
SMB = Sheet Metal "B" Point
SS = Stainless Steel
TF = Thread Forming
ZI = Zinc Plated



SPECIFICATIONS

Model Name: Champion 600

Release Number: PR 722

Part Numbers	CHAMPION 600 120V	233-0100-000
	CHAMPION 600 120V DS	233-0100-900
	CHAMPION 600 110V TW DS	233-0101-900
	CHAMPION 600 240V AUS DS	233-0103-900
	CHAMPION 600 230V UK DS	233-0104-900
	CHAMPION 600 230V ARG DS	233-0105-900
	CHAMPION 600 230V EUR DS	233-0106-900
	CHAMPION 600 100V JPN DS	233-0107-900
	CHAMPION 600 220V ROK DS	233-0109-900

Power Requirement: 25 W

Fuses:
F 1A, 250V for 100V versions
F 1A, 250V for 120V versions
F 500mA, 250V for 240V versions
F 500 mA, 250V for 230V versions

Input Sensitivity: 25 mV (volume at maximum for full power)

Power Output: 5W RMS into 4 ohms @ < 5%THD, 1000Hz

Impedances **Input:** >1M Ohms

Speaker Complement: 6", 4 ohm

Dimensions

Height:	11 in	(28 cm)
Width:	12 in	(12 cm)
Depth:	7.5 in	(19 cm)

Weight: 15 lbs (7 kg)

Product specifications are subject to change without notice



Champion™ 600

(This is the model name for warranty claims)

SERVICE NOTES

1. **CHASSIS REMOVAL** is accomplished by first removing the two (2) screws from the control panel then the two screws on the side of the cabinet. Remove the four (4) screws from the

back panel and unplug the speaker. The chassis can now slide out, giving access to the electronics.



Champion™ 600

(This is the model name for warranty claims)

PARTS LIST

1	0073904000	Speaker 6" Champion 600	
1	0073905000	**XFMR Power Champion 600	T1
1	0073906000	XFMR Output Champion 600	T2
1	0073907000	Knob Volume Champion 600	
1	0073908000	Handle Champion 600	
2	0073909000	Jack Input Champion 600	J1, J2
1	0073910000	Jack Output Champion 600	J3
1	0073911000	Switch Power Champion 600	S1
1	0073912000	Potentiometer 1MA Champion 600	R13
1	0073913000	Light Pilot ASSY Champion 600	
4	0073914000	Cabinet Glides Cabinet Champion 600	
1	0994024000	Tube 6V6 STR391	V1
1	0994024000	Tube 12AX7WC/7025 Russian	V2
1	0020789000	**Fuse QA 20mm X 5mm 250V 1A	F1 100V & 120V Versions
1	0020786000	**Fuse QA 20mm X 5mm 250V 500ma	F1 230V & 240V Versions

* Non-serviceable part. Replace complete parent assembly. See PCB EXCHANGE POLICY section above.

shaded Unique Fender® part. Order directly from the FMIC Parts Department.

*shaded + ** Access to this part or assembly is controlled. Please contact the FMIC Customer Service Department.

** Safety Requirement part. Replacement must match Safety Agency...-Value, if specified -Type, if specified -Approval Mark(s) if on part.

*shaded + *** Both a unique Fender® part and a Safety Requirement part as defined above.

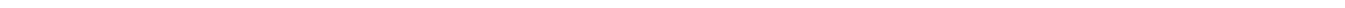


Champion™ 600

(This is the model name for warranty claims)

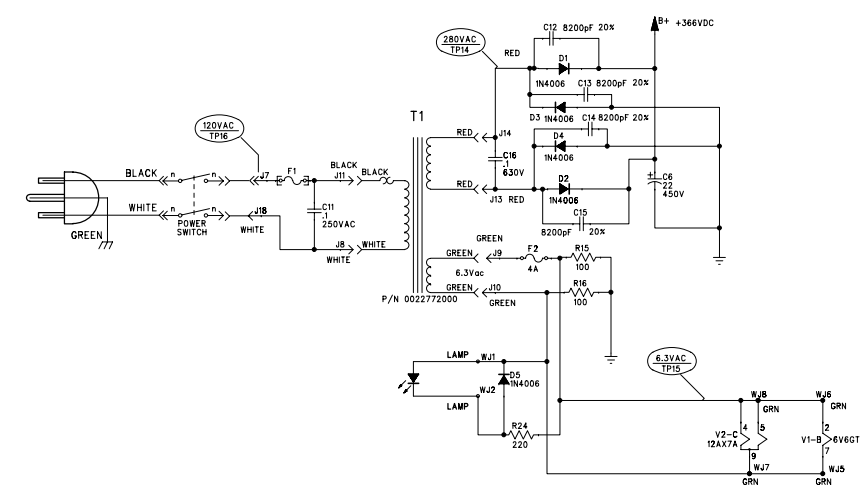
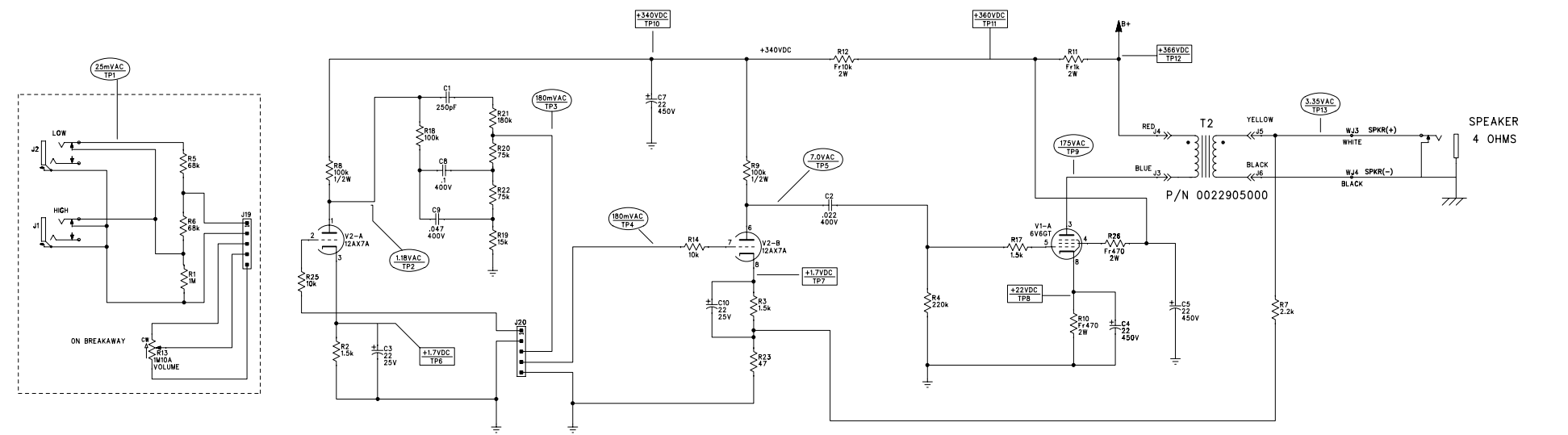
Service Diagram List

Service Diagram (Schematic)Champion™ 600 PC



8 7 6 5 4 3 2 1

REVISIONS			
REV.	DESCRIPTION	DATE	APPROVED
A	PR722	05-MAY-06	LEL

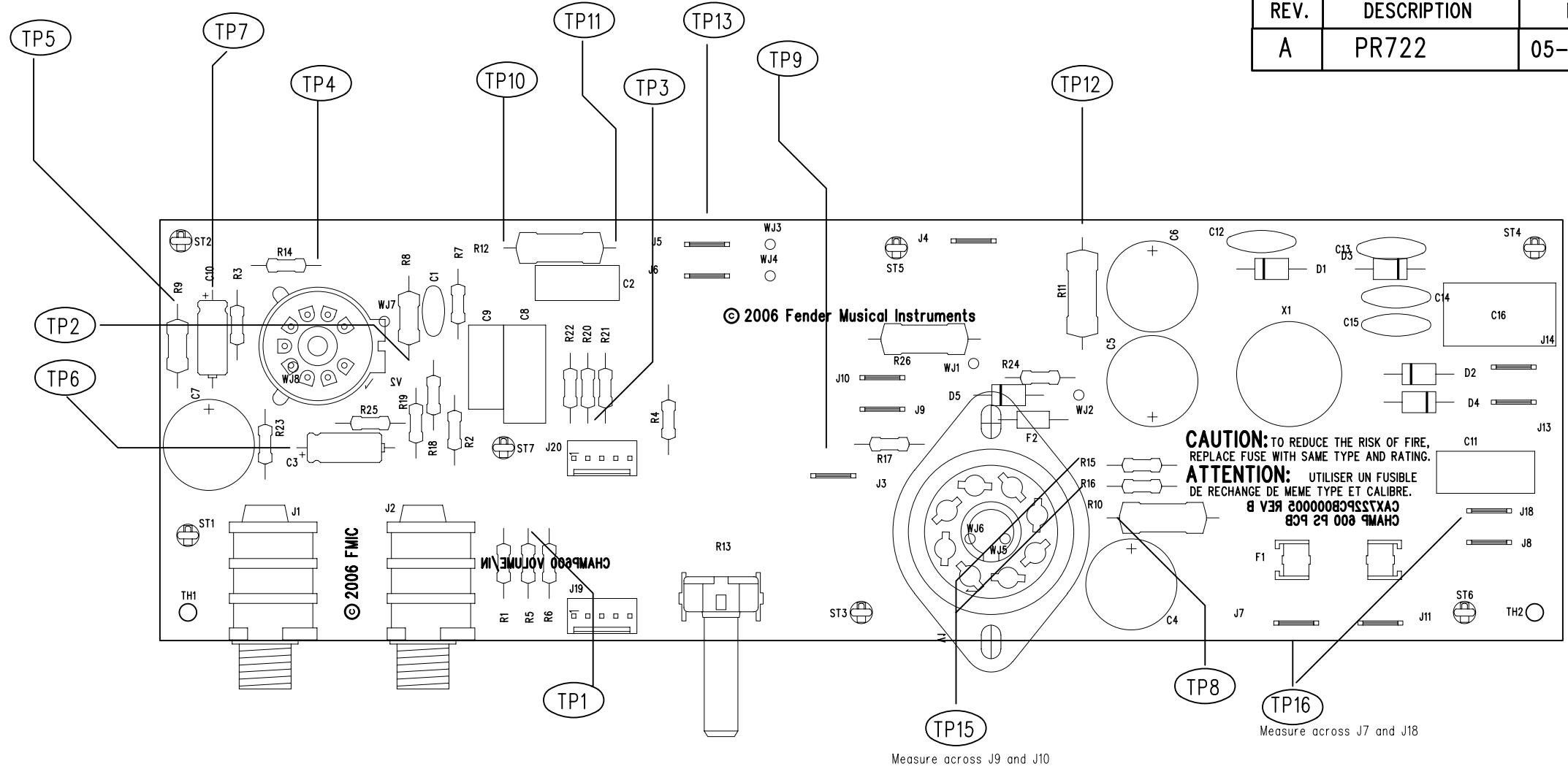


- 6. ALL AC VOLTAGES ARE +/- 10%.
 - 5. THIS SCHEMATIC IS FOR PCB FABRICATION P/N CAX722PCP000005 AND PCB ASSEMBLY P/N CAX722PCAO000005.
 - 4. ALL DC VOLTAGES ARE MEASURED WITH NO SIGNAL.
 - 3. ALL POLARIZED CAPACITORS IN uF, 20% OR BETTER; 50V MINIMUM. (POWER SUPPLY BYPASS CAPACITORS ARE 20%).
 - 2. ALL UNPOLARIZED CAPACITORS IN uF, 10% OR BETTER; 50V MINIMUM.
 - 1. ALL RESISTORS IN OHMS, 5%; 1/4W.
- NOTES: (UNLESS OTHERWISE NOTED)

THIS DOCUMENT CONTAINS INFORMATION OF A PROPRIETARY NATURE TO FENDER MUSICAL INSTRUMENTS AND IS SUBMITTED TO YOU IN CONFIDENCE AND SHALL NOT BE DISCLOSED OR TRANSMITTED TO OTHERS WITHOUT AUTHORIZATION FROM FENDER MUSICAL INSTRUMENTS.		Fender MUSICAL INSTRUMENTS Corona, CA U.S.A.	
CHECKED BY:	DATE:	TITLE: SERVICE DIAGRAM, COMBINED (schematic) CHAMPION 600 AMPLIFIER	
APPROVED BY:	DATE:	SIZE: D	DRAWING NUMBER: 722CAX003
DRAWN: LORENZEN ENGR: LORENZEN		REV.:	A
DATABASE FILE: CAX722PCB000005.PCB		RELEASE DATE: 05-MAY-06	SHEET: 1 OF 2

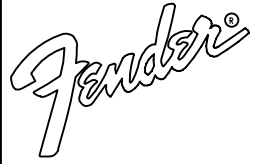
8 7 6 5 4 3 2 1

REVISIONS			
REV.	DESCRIPTION	DATE	APPROVED
A	PR722	05-MAY-06	L E L



FILM/DWG: SERVICE DIAGRAM
 DATABASE: CAX722PCB000005.PCB DATE: 05-MAY-06

NOTES: (UNLESS OTHERWISE NOTED)

THIS DOCUMENT CONTAINS INFORMATION OF A PROPRIETARY NATURE TO FENDER MUSICAL INSTRUMENTS AND IS SUBMITTED TO YOU IN CONFIDENCE AND SHALL NOT BE DISCLOSED OR TRANSMITTED TO OTHERS WITHOUT AUTHORIZATION FROM FENDER MUSICAL INSTRUMENTS.		 MUSICAL INSTRUMENTS Corona, CA U.S.A.	
CHECKED BY: _____ DATE: _____		TITLE: SERVICE DIAGRAM, COMBINED (PCB assy) CHAMPION 600 AMPLIFIER	
APPROVED BY: _____ DATE: _____		SIZE B	REV. A
DRAWN: PKCORBIN ENGR: LORENZEN		DRAWING NUMBER 722CAX003	
DATABASE FILE: CAX722PCB000005.PCB		05-MAY-06	SHEET 2 OF 2