

CONCERT-REVERB AMP

p/n 021-5900-000 (120V)

SERVICE MANUAL



CONTENTS:

- Notices
- Specifications
- Service notes
- Parts lists:
 - PCB assy-main
 - PCB assy rear panel
 - Chassis assy
 - Cabinet assy
 - End item
- Drawings

CONCERT-REVERB AMP
(This is the model name for warranty claims)

SERVICE MANUAL

JUNE 2001

IMPORTANT NOTICE:

The information contained herein is CONFIDENTIAL and PROPRIETARY to Fender Musical Instruments Corp. It is disclosed solely for use by qualified technicians for purposes of equipment maintenance and service. It is not to be disclosed to others without the expressed permission of Fender Musical Instruments Co. All specifications subject to change without notice.

For warranty repair service, only Fender specified part numbers are to be used. It is recommended they also be used for post-warranty maintenance and repair.

Parts marked with an asterisk (*) indicate the required use of that specific part. This is necessary for RELIABILITY and SAFETY requirements. **DO NOT USE A SUBSTITUTE!**

A coded naming convention is used in the description of certain parts. The codes and what they mean are as follows:

CAPACITOR CODES

CAP AE = Aluminum Electrolytic
CAP CA = Ceramic Axial
CAP CD = Ceramic Disk
CAP MPF = Metalized Polyester Film
CAP MY = Mylar
CAP PFF = Polyester Film/Foil

RESISTOR CODES

RES CC = Carbon Comp
RES CF = Carbon Film
RES FP = Flame Proof
RES MF = Metal Film
RES WW = Wire Wound

HARDWARE CODES

BLX = Black Oxide
CR = Chrome Plated
HWH = Hex Washer Head
M = Machine Screw
NI = Nickel Plated
OHP = Oval Head Phillips
PB = Particle Board
PHP = Pan Head Phillips
PHPS = Pan Head Phillips Sems
SMA = Sheet Metal "A" Point
SMB = Sheet Metal "B" Point
SS = Stainless Steel
TF = Thread Forming
ZI = Zinc Plated

CONCERT-REVERB AMP

SPECIFICATIONS

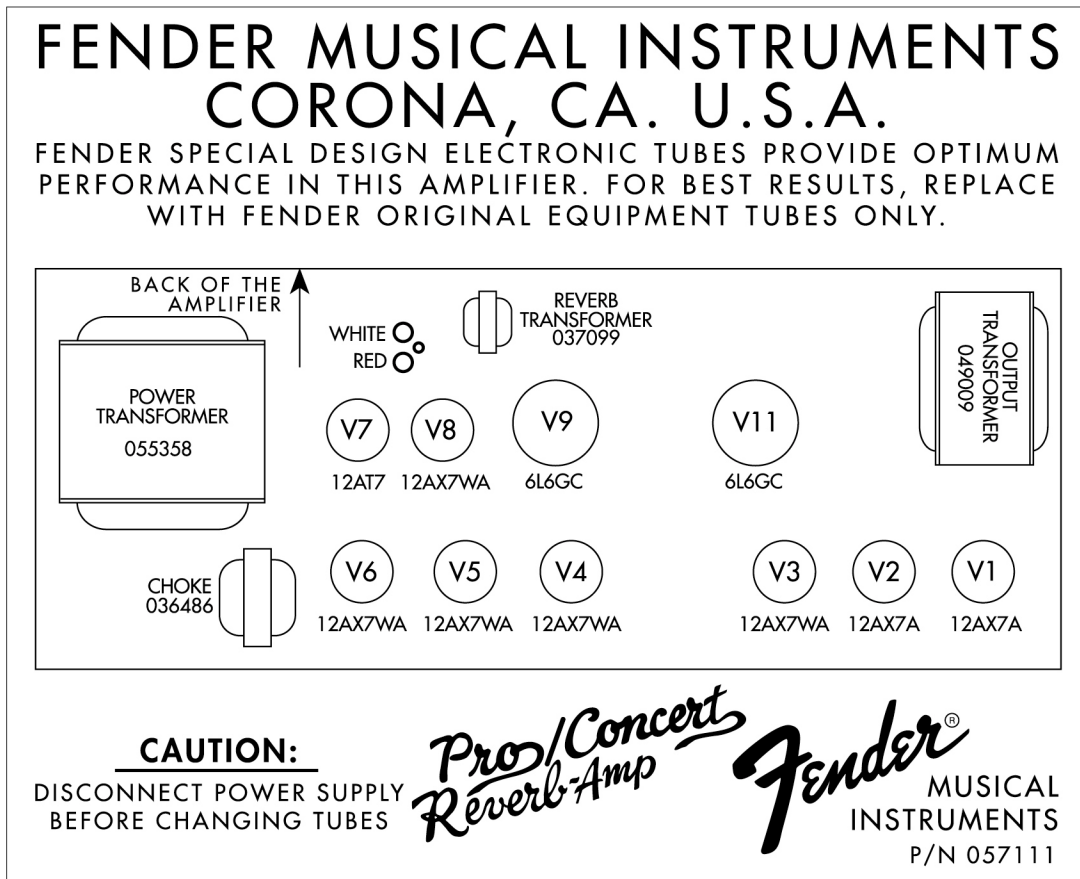
Product Release No.:	PR 450 <i>(This is not a model number)</i>
Part Number:	120V Version : 21-5900 240V Aus : 21-5930 230V UK : 21-5940 230V Eur : 21-5960 100V : 21-5970
Power Requirements:	325W
Power Amp Section: Power Output:	50 Watts RMS (High Output) 12.5 W RMS (Low Output) 1kHz sine wave into 8 Ω @<5% THD (Presence @ "1")
Input impedance:	1M Ω
Tubes:	Two 6L6GC (P/N 053980) Two 12AX7A (P/N 023572) Five 12AX7WA (P/N 013341) One 12AT7 (P/N 023531)
Fuses:	F200: F3A 250V (100V, 120V units) T2A 250V (230V, 240V units) F201: T5A 250V (Internal filament fuse on 230V, 240V units) F1 & F2: T100mA 250V (all units)
Speaker Complement:	Four 8 Ω Fender 10" (P/N 048832)
Footswitch:	Four-Button: Channel, Effects, Reverb, Tremolo (P/N 057025)
Dimensions:	Height: 25 3/4" (65.7 cm) Width: 25 3/8" (64.7 cm) Depth: 12 27/32" (32.8 cm)
Weight:	85 lbs. (38.6 kg)

Product specifications are subject to change without notice

CONCERT-REVERB AMP

SERVICE NOTES

1. **CHASSIS REMOVAL** is accomplished by first removing eight (8) screws from the top, and one (1) screw from each side of the cabinet; disconnect reverb and speaker wires, then slide the chassis toward the rear.
2. **TUBE CHART:**



3. **OUTPUT TUBE BIAS & BALANCE ADJUSTMENTS**
 - A. Warm up the amp for 2 minutes with STAND BY OFF and the OUTPUT POWER set to FULL. Set SPEED and INTENSITY TO "1" and make sure TREMOLO is OFF. Flip the STAND BY switch to the UP position.
 - B. Remove the bias controls cover box.
 - C. Set BIAS: with a DC voltmeter measure VDC between GND and V9 test points. Adjust BIAS for .03 VDC (30mVDC).
 - D. Set BALANCE: measure the VDC between V9 and V11 test points. Adjust BALANCE for zero (0) VDC.
 - E. Replace the bias controls cover box.

CONCERT-REVERB AMP

PARTS LIST

NOTE: SHADED ITEMS ARE FOR REFERENCE ONLY

PRINTED CIRCUIT BOARD ASSEMBLY – MAIN

QTY	PART #	DESCRIPTION	REFERENCE DESIGNATION
REF	0057014000	SVC. DIA., COMB. PRO-TUBE AMPS	
1	0057015000	PCB FAB MAIN, PRO-TUBE AMPS	
2	0038690001	CAP AE AX 1.0uF 100V 20%	C17 C37
4	0025960001	CAP AE AX 22uF 16V 20%	C8 C29 C34 C111
3	0024819000	CAP AE AX 22uF 500V +50%-10%	C203 C206-207
1	0038693001	CAP AE AX 47uF 16V 20%	C1
4	0024820000	CAP AE AX 47uF 350V 20%	C201-202 C204-205
2	0028494000	CAP AE RDL 1000uF 35V 20%	C212-213
2	0031040000	CAP AE RDL 100uF 100V 20%	C208-209
2	0028482003	CAP AE RDL 220uF 50V 20%	C210-211
2	0036954003	CAP AE RDL 22uF 63V 20%	C33 C216
1	0020883002	CAP CD 10pF 1000V 10%	C31
2	0051408003	CAP CD 47pF 500V 5%	C7 C101
1	0069724002	CAP CD 100pF 1000V 10%	C105
1	0051405003	CAP CD 120pF 500V 5%	C19
2	0020917002	CAP CD 250pF 1000V 10%	C4 C22
1	0051458003	CAP CD 470pF 500V 10%	C32
3	0025951002	CAP CD 750pF 1000V 10%	C14 C16 C18
1	0025995002	CAP CD 8200pF 1000V 20%	C200
2	0034788003	CAP CD .1uF 50V 20% .15" cut	C224-225
3	0027272003	CAP MPF .047uF 63V 10%	C218 C220 C223
1	0027280003	CAP MPF .15uF 63V 10%	C217
2	0027281003	CAP MPF .22uF 63V 10%	C215 C221
2	0027286003	CAP MPF .47uF 63V 10%	C219 C222
1	0033477003	CAP MPF .68uF 63V 10%	C11
3	0024823000	CAP MPF RDL .01uF 400V 10%	C23 C103 C110
6	0024833000	CAP MPF RDL .022uF 400V 10%	C3 C9 C12 C21 C108-109
10	0024845000	CAP MPF RDL .047uF 400V 10%	C2 C6 C10 C13 C15 C24-25 C30 C116-117
3	0024853000	CAP MPF RDL .1uF 250V 10%	C100 C102 C104
7	0024854000	CAP MPF RDL .1uF 400V 10%	C5 C20 C36 C112-115
2	0024855000	CAP MPF RDL .1uF 630V 10%	C106-107
1	0024876000	CAP MPF RDL .68uF 250V 10%	C27
1	0037040002	CAP PFF .0033uF 400V 10%	C35
1	0037600000	CONTROL SNAPIN 100k B TAPER	R73 Reverb
2	0041507000	CONTROL SNAPIN 1M 10A TAPER	R12 R37 Ch1volume Ch2volume
3	0047540000	CONTROL SNAPIN 250k 15A TAPER	R10 R17 R35 Ch1bass Gain Ch2bass
2	0037597000	CONTROL SNAPIN 250k 30A TAPER	R9 R34 Ch1treble Ch2treble
1	0041511000	CONTROL SNAPIN 250k B DUAL	R148 Intensity
1	0047031000	CONTROL SNAPIN 25k 30C TAPER	R109 Presence
2	0041510000	CONTROL SNAPIN 25k B TAPER	R11 R36 Ch1mid Ch2mid
1	0037601000	CONTROL SNAPIN 3M 10C TAPER	R141 Speed
16	0026730001	DIODE 1N4006 800V 1A	D100-101 D200-207 D210-215

CONCERT-REVERB AMP
PRINTED CIRCUIT BOARD ASSEMBLY – MAIN (cont)

QTY	PART #	DESCRIPTION	REFERENCE DESIGNATION
18	0006260001	DIODE 1N4448 SIGNAL	D1 D4 D6-7 D114 D223 D226 D228-229 D231-237 D239-240
2	0029690001	DIODE HV 3kV 200mA	D102-103
1	0031017001	DIODE ZEN 1N5223B 2.7V 5% LL	D224
3	0031635001	DIODE ZEN 1N5240B 10V 5% LL	D5 D227 D238
6	0031019001	DIODE ZEN 1N5245B 15V 5% LL	D2-3 D8-9 D112-113
2	0028119060	DIODE ZEN 1N5353B 16V 5W 5%	D216-217
2	0041811060	DIODE ZEN 1N5368B 47V 5W 5%	D208-209
6	0026000001	FSTN TAB MALE PCB MT .187X.032	P2-5 P216-217
20	0025802000	FSTN TAB MALE .250x.032 PCB MT	P100-101 P200-215 P218-219
4	0031611000	IC OP-AMP DUAL PC4560	U1-4
2	0041261000	IC VOLT REF LM4040DIZ-10.0	U5-6
1	0037117000	JACK PCB MONO CLOSED CKT	J1 Input
1	0025933000	JACK PHONO DUAL PC MTG	J2 Reverb
1	0028039000	LED RED 5x5mm SLB-55VR3	D225
1	0030754000	LED RED T-1 3mm DIFFUSED	D230
1	0036178000	SPACER LED .5x.1 BRN	@D230
3	0036613000	RELAY DPDT DIP 24 VOLT 8.3mA	K1-3
9	0025116001	RES CF 1/2W 5% 100k LL	R3 R13 R20 R31 R52 R61 R71 R77 R111
2	0026368001	RES CF 1/2W 5% 100ohm LL	R211-212
1	0025117001	RES CF 1/2W 5% 220k LL	R202
1	0025113001	RES CF 1/2W 5% 10k LL	R104
1	0025834001	RES CF 1/2W 5% 150k LL	R146
2	0036957001	RES CF 1/2W 5% 470k LL	R26 R144
1	0025115001	RES CF 1/2W 5% 82k LL	R110
12	0024969001	RES CF 1/4W 5% 1.5k LL	R4 R14 R21 R43 R51 R62 R68-69 R114-115 R215 R238
8	0024997001	RES CF 1/4W 5% 100k LL	R8 R147 R208 R220 R226 R230 R243 R249
11	0024981001	RES CF 1/4W 5% 10k LL	R19 R25 R30 R41 R50 R60 R143 R207 R231-233
1	0024937001	RES CF 1/4W 5% 10ohm LL	R250
1	0024999001	RES CF 1/4W 5% 150k LL	R100
5	0024985001	RES CF 1/4W 5% 15k LL	R101 R155 R224 R229 R248
1	0024955001	RES CF 1/4W 5% 180ohm LL	R227
1	0024986001	RES CF 1/4W 5% 18k LL	R27
1	0024965001	RES CF 1/4W 5% 1k LL	R81
15	0025069001	RES CF 1/4W 5% 1M LL	R1 R6 R15 R18 R38 R40 R46 R49 R63 R78 R82 R103 R106 R142 R153
8	0025059001	RES CF 1/4W 5% 220k LL	R5 R16 R24 R53 R67 R75 R112-113
2	0024987001	RES CF 1/4W 5% 22k LL	R39 R79
1	0025077001	RES CF 1/4W 5% 3.3M LL	R76
4	0024989001	RES CF 1/4W 5% 33k LL	R2 R33 R45 R102
2	0024977001	RES CF 1/4W 5% 4.7k LL	R107 R145
1	0025079001	RES CF 1/4W 5% 4.7M LL	R70
12	0025065001	RES CF 1/4W 5% 470k LL	R7 R23 R28-29 R64-65 R74 R214 R223 R234 R236 R246
1	0024961001	RES CF 1/4W 5% 470ohm LL	R105
3	0024993001	RES CF 1/4W 5% 47k LL	R22 R42 R44
1	0024962001	RES CF 1/4W 5% 560ohm LL	R237
2	0028948001	RES CF 1/4W 5% 6.2k LL	R80 R235
4	0024979001	RES CF 1/4W 5% 6.8k LL	R154 R225 R228 R247
2	0025068001	RES CF 1/4W 5% 820k LL	R222 R245
2	0024964001	RES CF 1/4W 5% 820ohm LL	R32 R72
2	0029613001	RES CF 1/4W 5% 91k LL	R108 R140

**CONCERT-REVERB AMP
PRINTED CIRCUIT BOARD ASSEMBLY – MAIN (cont)**

QTY	PART #	DESCRIPTION	REFERENCE DESIGNATION
4	0027354001	RES FILM 1W 5% 220k LL	R200-201 R203-204
2	0016979001	RES MF 1/4W 1% 215k LL	R217 R240
2	0016971001	RES MF 1/4W 1% 33.2k LL	R219 R242
2	0017191001	RES MF 1/4W 1% 36.5k LL	R221 R244
4	0017372001	RES MF 1/4W 1% 51.1k LL	R216 R218 R239 R241
1	0057221000	RES MOX FP 1W 5% 2.2k	R66
1	0057222000	RES MOX FP 2W 5% 10k	R205
1	0041268001	RES MOX 2W 5% 10k LL	R206
2	0041256000	RES WW 5W 10% 470ohm	R118-119
2	0029047000	RES WW BT 7W 10% 270ohm	R209-210
2	0028091000	SWITCH PUSH SLFLK	S1-2 Bright ChSelect
2	0048451000	BUTTON PUSH OFF WHITE	@S1-2
1	0028503000	THERMISTOR 10 ohm 5A C60-11	RT1
2	0014689003	XSTR N-CH JFET J111 TO-92	Q2-3
3	0041465003	XSTR N-CH JFET J113 TO-92	Q1 Q5 Q102
2	0016739003	XSTR NPN 2N4401 TO-92	Q4 Q200
1	0016742003	XSTR PNP 2N4403 TO-92	Q201
8	0051442000	SOCKET TUBE 9 PIN PCB MOUNT	@V1-8
2	0057238000	TUBE SOCKET 8 PIN PCB MOUNT	@V9 V11
1	0049976000	SWITCH TOGGLE DPST DC W/NUTS	S203 OutputPower
6	0016440000	STNDOFF RND AL 6-32x1x1/4	@V9 V11 V12 (V12 hardware for PCB mtg)
6	0039367000	SCRW M6-32X3/8 PHP SS INTLWSHR	@V9 V11 V12 (V12 hardware for PCB mtg)
4	9904101500	SCRW M 6-32x3/8 PHPS BLX ITLW	@V9 V11
2	0026459000	WASHER FLAT 6x3/8 ZI	@ V12 (V12 hardware for PCB mtg)
1	0037805000	CABLE RIBBON 6 CKT 2-1/4"	PW1

PRINTED CIRCUIT BOARD ASSEMBLY – REAR PANEL

QTY	PART #	DESCRIPTION	REFERENCE DESIGNATION
REF	0057014000	SVC. DIA., COMB. PRO-TUBE AMPS	
1	0057017000	PCB FAB REAR PANEL, PRO-TUBE AMPS	
2	0036954003	CAP AE RDL 22uF 63V 20%	C118-119
1	0027286003	CAP MPF .47uF 63V 10%	C214
1	0024823000	CAP MPF RDL .01uF 400V 10%	C26
1	0024853000	CAP MPF RDL .1uF 250V 10%	C28
2	0047540000	CONTROL SNAPIN 250k 15A TAPER	R47 R58 Send Return
2	0026133000	CONTROL TRIM 25k LIN	R149-150 Balance Bias
3	0026730001	DIODE 1N4006 800V 1A	D104-106
2	0006260001	DIODE 1N4448 SIGNAL	D218-219
1	0031017001	DIODE ZEN 1N5223B 2.7V 5% LL	D221
1	0026000001	FSTN TAB MALE PCB MT .187X.032	P109

**CONCERT-REVERB AMP
PRINTED CIRCUIT BOARD ASSEMBLY – REAR PANEL (cont)**

QTY	PART #	DESCRIPTION	REFERENCE DESIGNATION
11	0025802000	FSTN TAB MALE .250x.032 PCB MT	P102-107 P110-111 P220-222
1	0022546000	FUSE HOLDER PCB MTG UNIVERSAL	F1
1	0022548000	FUSE CARRIER 5mm	@F1
1	0013004000	FUSE TD 20mm X 5mm 250V 100mA	@F1
1	0027413000	HDR .1 CTR 6 CKT SQ PIN	P1
5	0051658000	JACK MONO R/A	J3-6 J10 Send Return Preamp out Pwr amp in Footswitch
3	0026481000	JACK TIP	J7-9 V11 Gnd V9
2	0028039000	LED RED 5x5mm SLB-55VR3	D220 D222
1	0033177000	LED RED/GREEN 5x5mm BI-COLOR	D107
1	0036178000	SPACER LED .5x.1 BRN	@ D107
1	0025941001	RES CF 1/2W 5% 560ohm LL	R123
1	0024997001	RES CF 1/4W 5% 100k LL	R57
4	0024937001	RES CF 1/4W 5% 10ohm LL	R56 R83 R251-252
1	0024965001	RES CF 1/4W 5% 1k LL	R55
1	0025059001	RES CF 1/4W 5% 220k LL	R54
2	0024987001	RES CF 1/4W 5% 22k LL	R122 R127
1	0024961001	RES CF 1/4W 5% 470ohm LL	R124
2	0028153001	RES CF 1/4W 5% 75k LL	R151-152
2	0024980001	RES CF 1/4W 5% 8.2k LL	R48 R59
1	0028029001	RES FILM 1W 5% 1.5k LL	R213
4	0027354001	RES FILM 1W 5% 220k LL	R120-121 R125-126
2	0033095001	RES MOX FP 1W 5% 1ohm LL	R116-117
1	0028091000	SWITCH PUSH SLFLK	S3 FX Loop
1	0048451000	BUTTON PUSH OFF WHITE	@S3
2	0016739003	XSTR NPN 2N4401 TO-92	Q100-101

CHASSIS ASSEMBLY

QTY	PART #	DESCRIPTION	REFERENCE DESIGNATION
2	0028069000	BUSHING SNAP 3/4x1-1/8 WHT	@ PWR XFMR
2	0018022000	BUSHING SNAP 5/16x17/32 BLK	@ CHOKE & REV. XFMR
2	0012560000	BUSHING SNAP 5/8x27/32 BLK	@ OUTPUT XFMR
1	0036486000	CHOKE	
1	0049009000	XFMR OUTPUT PROSONIC	
1	0055358000	XFMR POWER SUNN T50C	
1	0037099000	XFMR REVERB VIBROVERB/65 DLX	REVERB XFMR
2	0036570000	SWITCH TOGGLE DPST W/NUTS	PWR SW, STNDBY
1	0021741000	HOLDER DIAL LITE ASSY PILOT	@ PILOT LIGHT
1	0031625000	NUT HOLDER PILOT LIGHT 1/16-27	@ PILOT LIGHT
1	0032219000	COLLAR-PILOT LIGHT	@ PILOT LIGHT
1	0021642000	PILOT LIGHT #T47	@ PILOT LIGHT
1	0025718000	JEWEL PILOT LITE RED #20	@ PILOT LIGHT
1			
1	0047213000	CONNECTOR AC LINE MALE IEC	IEC PWR JACK
2	0097360000	NUT HEX 4-40 EX LOCK	@ IEC PWR JACK

CONCERT-REVERB AMP CHASSIS ASSEMBLY (cont)

QTY	PART #	DESCRIPTION	REFERENCE DESIGNATION
2	0014172000	SCREW M 4-40 x 1/4 PHP BLX	@ IEC PWR JACK
1	0036702000	FUSE HOLDER 3AG FINGER GRIP	@ LINE FUSE F1 (120V/100V UNITS)
1	0077982000	FUSE QA 1-1/4x1/4" 250V 3A	LINE FUSE F1 (120V/100V UNITS)
REF	0036703000	FUSE HOLDER 5MM FINGER GRIP	@ LINE FUSE F1 (230V/240V UNITS)
REF	0013115000	FUSE TD 20mmx5mm 250v T2A	LINE FUSE F1 (230V/240V UNITS)
REF	0057185000	20mm x 5mm INLINE FUSE HOLDER ASSY	230V & 240V UNITS
1	0021550000	JACK PHONE TIP SHUNT 12A	MAIN SPKR JACK J11
1	0041701000	JACK PHONE TRANSFER 13A	EXT. SPKR JACK J12
15	0024604000	KNOB BLACK W/WHITE STAMP 1-10	@ ALL CONTROLS
1	0057045000	CHASSIS PRO/CONCERT REVERB	
1	0057032000	COVER BOX BIAS CONTROLS PRO-TUBE AMPS	
1	0057064000	PANEL, FRONT CONCERT REVERB	
1	0057047000	PANEL, REAR PRO/CONCERT REVERB	
2	0023572000	TUBE 7025/12AX7A CHINESE	V1-2
5	0013341000	TUBE 7025/12AX7WA RUSSIAN MADE	V3-6 V8
1	0023531000	TUBE 12AT7 HIGH MU TWIN TRIODE	V7
8	0053893000	TUBE SHIELD SUNN MODEL T	V1-8
2	0053980000	TUBE VACUUM 6L6GC/5881 SVTLNA	V9 V11
2	0020424000	TUBE RING UNIVERSAL (277H-2)	@V9 V11
REF	0057106000	TUBE CAGE PRO-TUBE AMPS	230V ONLY
2	0032806000	SCRW TF 6-32x1/4 PHP BLX	@ COVER BOX
1	0051155000	SCRW SMB #4 x 3/8 PHP BLX	@ REVERB RCA JACKS J2
3	0022293000	WSHR FLAT .473x.750 NI	@ PWR SW, HIGH/LOW SW, STNDBY
2	0031153000	WSHR FLAT 3/8 x .614" NI	@ SPKR JACKS J11 J12
2	0016436000	WSHR LCK INTL 3/8 x .687 x .035 NI	@ SPKR JACKS J11 J12
2	0016352000	NUT HEX 3/8-32 x 3/32 TK NI	@ SPKR JACKS J11 J12
2	9904101500	SCRW M 6-32x3/8 PHPS BLX ITLW	@V12
5	0053480000	WASHER FLAT .442 X.692 NI	@ FX BOARD JACKS
5	0053479000	NUT HEX 7/16 20X1/8 NI	@ FX BOARD JACKS
4	0026501000	SCRW C 1/4-20x1/2" HH BLX	@ PWR XFMR
4	0028272000	NUT KEP 1/4x20 FOJ	@ PWR XFMR
8	0022319000	WSHR FLT 1/4x9/16 NI	@ PWR XFMR
4	0026553000	SCRW M 8-32 x 3/8" PHP BLX	@ OUTPUT XFMR
4	0022004000	NUT KEPS #8-32 ZINC	@ OUTPUT XFMR
6	0038900000	SCRW TF 6-32x1/4 PHP ZI	@ CHASSIS GNDS, CHOKE, REV. XFMR, TUBE CAGE (QTY 10 ON 230V UNITS)
26	0031184000	SCRW M6-32x1/4 PHPS BLX ITLW	@ STANDOFFS
1	0057052000	PCB ASSY PRO/CONCERT REVERB MAIN	MAIN PCB ASSY
1	0057108000	PCB ASSY PRO/CONCERT REVERB REAR PANEL	FX PCB ASSY'S
REF	0047163000	TUBING SHRINK 1" BLACK	@ PWR XFMR PRI. LEADS & V1 V2
REF	0012398000	TUBING, SHRINK 3/16 BLK	@ PILOT LIGHT WIRES

CABINET ASSEMBLY

QTY	PART #	DESCRIPTION	REFERENCE DESIGNATION
4	0026566000	CORNER 2 HOLE w/ TAB NI	
4	0019276000	GLIDE CAB 1.24 X .335 NI	
4	0019275000	INSERT GLIDE CUSHION 1.27 DIA	
4	0056482000	MOUNTING PLATE EL COM	

**CONCERT-REVERB AMP
CABINET ASSEMBLY (cont)**

QTY	PART #	DESCRIPTION	REFERENCE DESIGNATION
1	0027846000	HANDLE 9.25" NO LOGO	
1	0032524000	INSERT HANDLE	
2	0019279000	HANDLE CAP 2 HOLE NICKEL	
4	0026571000	SCRW SMAB 8x5/8 THP NI	
16	0027199000	SCRW SMAB 10 X 3/4 PHP NI	
20	0021972000	NUT T 10-32x3/4 STR 3 PRNG BLX	
4	0022244000	SCRW M10-32 x 1 1/8 OHP NI	
4	0026625000	SCRW WOOD 8x1 FH	
REF	0029086000	VELCRO STRIP HOOK 1.5"wd BLK	
REF	0029085000	VELCRO STRIP LOOP 1.5"wd BLK	
REF	0026570000	TOLEX "BRAVURA BLACK"	
REF	0037350000	TAPE ALUM 8"X60YDS	
REF	0037788000	CLOTH GRILLE BLACK/SILVER	

END ITEM ASSEMBLY

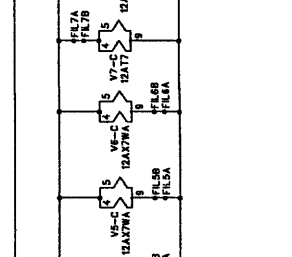
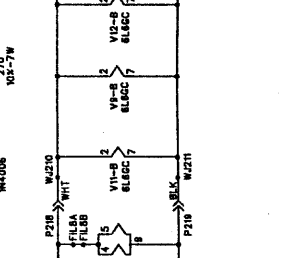
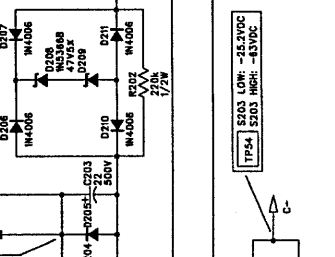
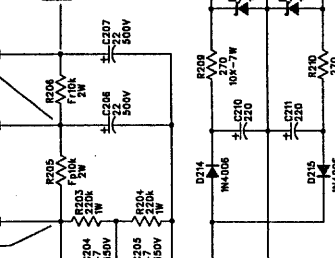
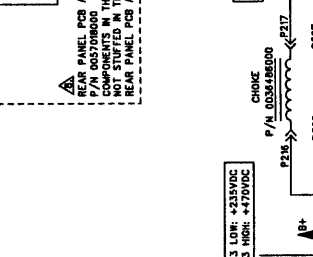
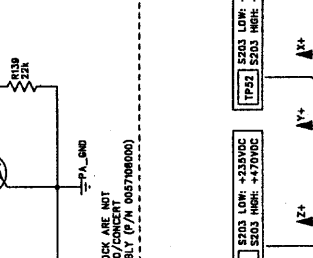
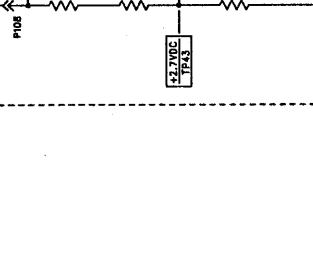
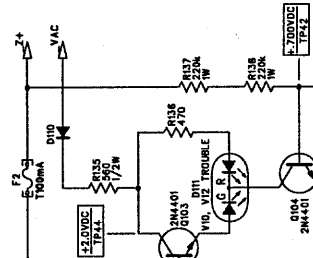
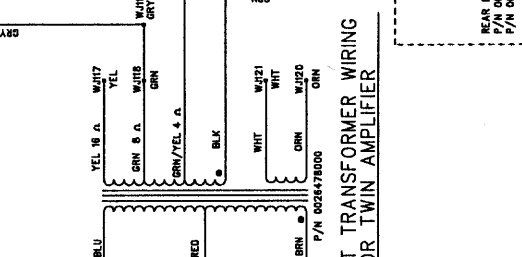
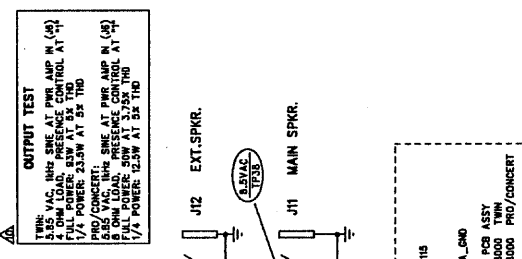
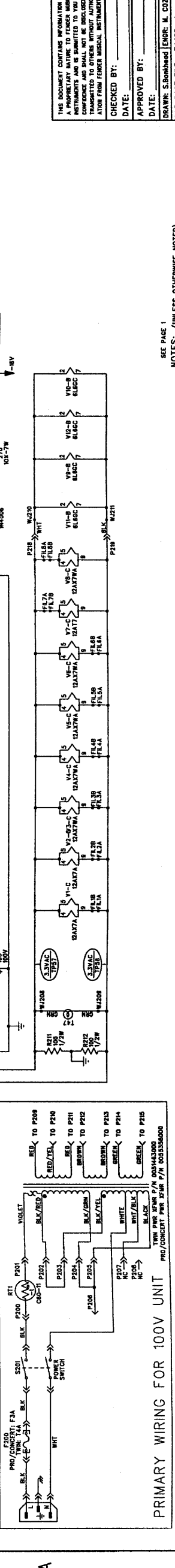
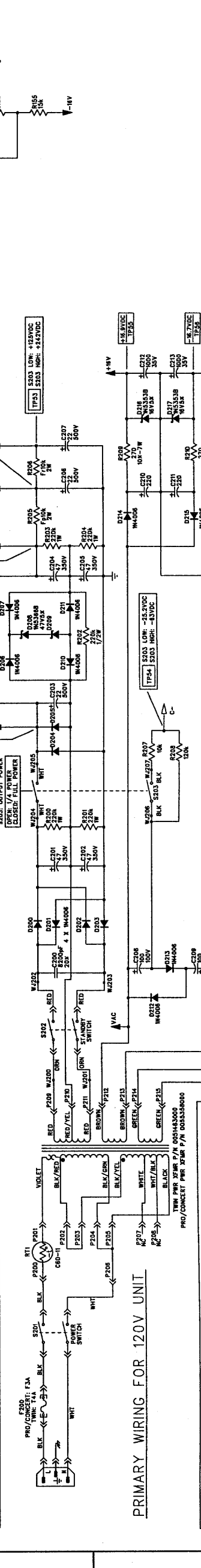
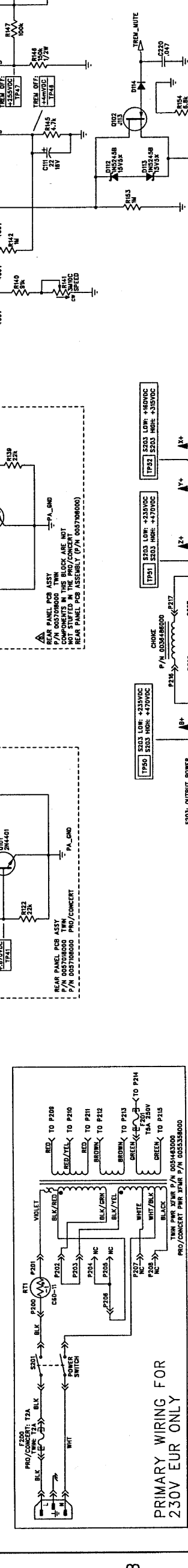
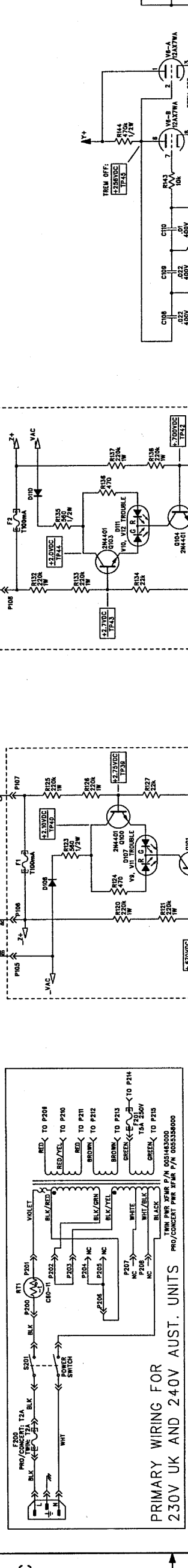
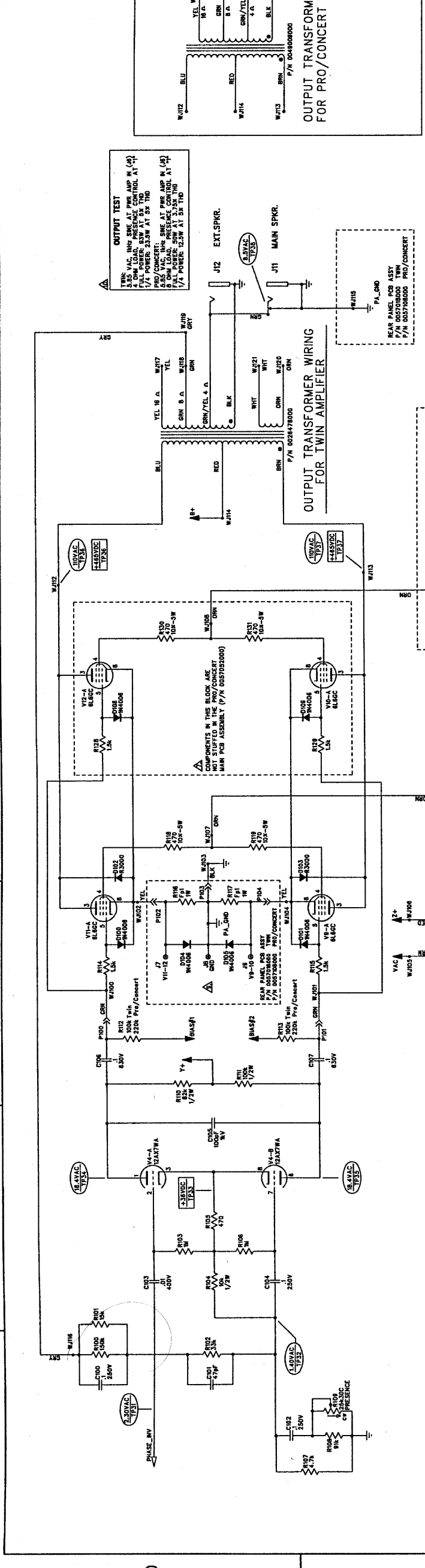
QTY	PART #	DESCRIPTION	REFERENCE DESIGNATION
1	0056525000	CABINET ASSY CONCERT REVERB	
1	0057060000	CHASSIS ASSY. CONCERT REVERB 120V DOM	
REF	0057224000	CHASSIS ASSY. CONCERT REVERB 230V UK	
REF	0057062000	CHASSIS ASSY. CONCERT REVERB 240V AUS	
REF	0057063000	CHASSIS ASSY. CONCERT REVERB 100V JAP	
1	0047248000	CORD PWR W/IEC CONN DOM	
REF	0047251000	CORD PWR W/IEC CONN 230V EUR	
REF	0047249000	CORD PWR W/IEC CONN 230V UK	
REF	0047250000	CORD PWR W/IEC CONN 240V AUS	
REF	0053997000	CORD PWR W/IEC CONN 100V JPN	
2	0024851000	LEG AMP TILT 19	@ CAB SIDES
2	0021998000	NUT FLEX LOCK 10-32 W/NYLON IN	@ TILTBACK LEGS
2	0022277000	SCRW M 10-32x1-1/2 OHP NI	@ TILTBACK LEGS
2	0022285000	WSHR SP LOCK 1/4x.493 ZI	@ TILTBACK LEGS
6	0022319000	WSHR FLAT 1/4x9/16 NI	@ TILTBACK LEGS
2	0031344000	SCRW SMA 10x3/4 OHP NI	@ TILTBACK LEG STOPS
2	0024646000	WASHER LEG STOP TN	@ CAB SIDES
2	0024752000	STRAP CHASSIS 4-1/2" NICKEL	CHASSIS TO CAB
4	0057105000	SCRW M 8-32x1-3/16 OHP NI CP	Q.S.N. QUOTE QTY=1000
6	0029527000	WSHR FNSH 8-5/8 FLNGD BLX WX	CHASSIS TO CAB
6	0036199000	SCRW M 8-32x1-3/16 OHP BLX CP	CHASSIS TO CAB
1	0023192000	NAMEPLATE FNDR 65 TWIN	@ GRILLE FRAME
3	0037985000	SCRW SMA 2x3/8 PHP BLX	@ LOGO
1	0057025000	FOOTSWITCH ASSY 4 BUTTON	
6	0057170000	CORNER SET 1 FOAM PRO-TUBE AMPS	
2	0057171000	CORNER SET 2 FOAM PRO-TUBE AMPS	

**CONCERT-REVERB AMP
END ITEM ASSEMBLY (cont)**

QTY	PART #	DESCRIPTION	REFERENCE DESIGNATION
REF	0057014000	SVC DIA COMB PRO-TUBE AMPS	
REF	0057049000	MANUAL OWNERS PRO/CONCERT REVERB	
4	0029828000	SCRW PB 8x3/4 PHP ZI	@ REV. BAG & CABLE CLAMPS
2	0022327000	WSHR FLAT 8x7/16 NI	@ REV. BAG SCREWS
1	0031849000	REVERB BAG	@ CAB BOTTOM
1	0028453000	PAD CARDBOARD REVERB	INSIDE REV. BAG
1	9906900590	CLAMP CABLE NYL ADHESIVE	@ REV. UNIT
1	0012582000	CLAMP CABLE NYL SCRW MNT 1/4	@ REV. CABLE
1	0025722000	CABLE REVERB 1100mm	CHASSIS TO REV. UNIT
1	0064063000	REVERB UNIT 4 SPRING 4AB3C1B	INSIDE REV. BAG
1	0028044000	CABLE ASSY SPKR RT ANG 33"	@ SPKR TO MAIN SPKR JACK
1	0022491000	CLAMP CABLE NYL SCRW MNT 5/16	@ SPKR CABLE
4	0048832000	SPKR 10" 8 OHM 30W(099-4810-002)	@ BAFFLE
16	0026577000	SCRW M 10-32x1 PHP BLX	@ SPEAKERS
4	0056483000	CASTER SWIVEL EL COM 2-12 CABS	
8	0037215000	WSHR C'SNK #6 NI	@ CAB REAR PANNELS
8	0037952000	SCRW SMA #6x1 OHP Ni	@ CAB REAR PANNELS

REV.	DESCRIPTION	DATE	APPROVED
A	PR448	16-OCT-00	S.M.B.
B	EC 2606	23-FEB-01	S.M.B.

1 2 3 4 5 6 7 8



MUSICAL INSTRUMENTS
 Corona, CA USA

TITLE: SERVICE DIAGRAM, COMBINED (continued)
 PRO-TUBE AMPS
 POWER AMP

CHECKED BY: _____
 DATE: _____

APPROVED BY: _____
 DATE: _____

SIZE: DRAWING NUMBER
 D 005701400

RELEASE DATE: 16-OCT-00 SHEET: 2 OF 4

NOTES: (UNLESS OTHERWISE NOTED)

REV. B

REVISIONS			
REV.	DESCRIPTION	DATE	APPROVED
A	PR44B	16-OCT-00	S.M.B.
B	EC 2606	23-FEB-01	S.M.B.

PART NUMBER	DESCRIPTION
0057052000	PCB ASSY PRO/CONCERT REVERSE MAIN
0057016000	PCB ASSY TWIN-AMP MAIN

MUSICAL INSTRUMENTS
Corona, CA USA

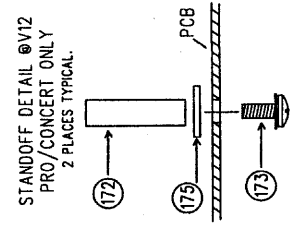
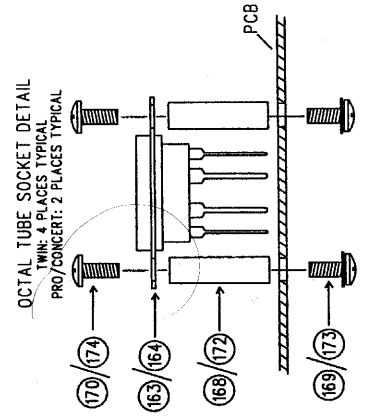
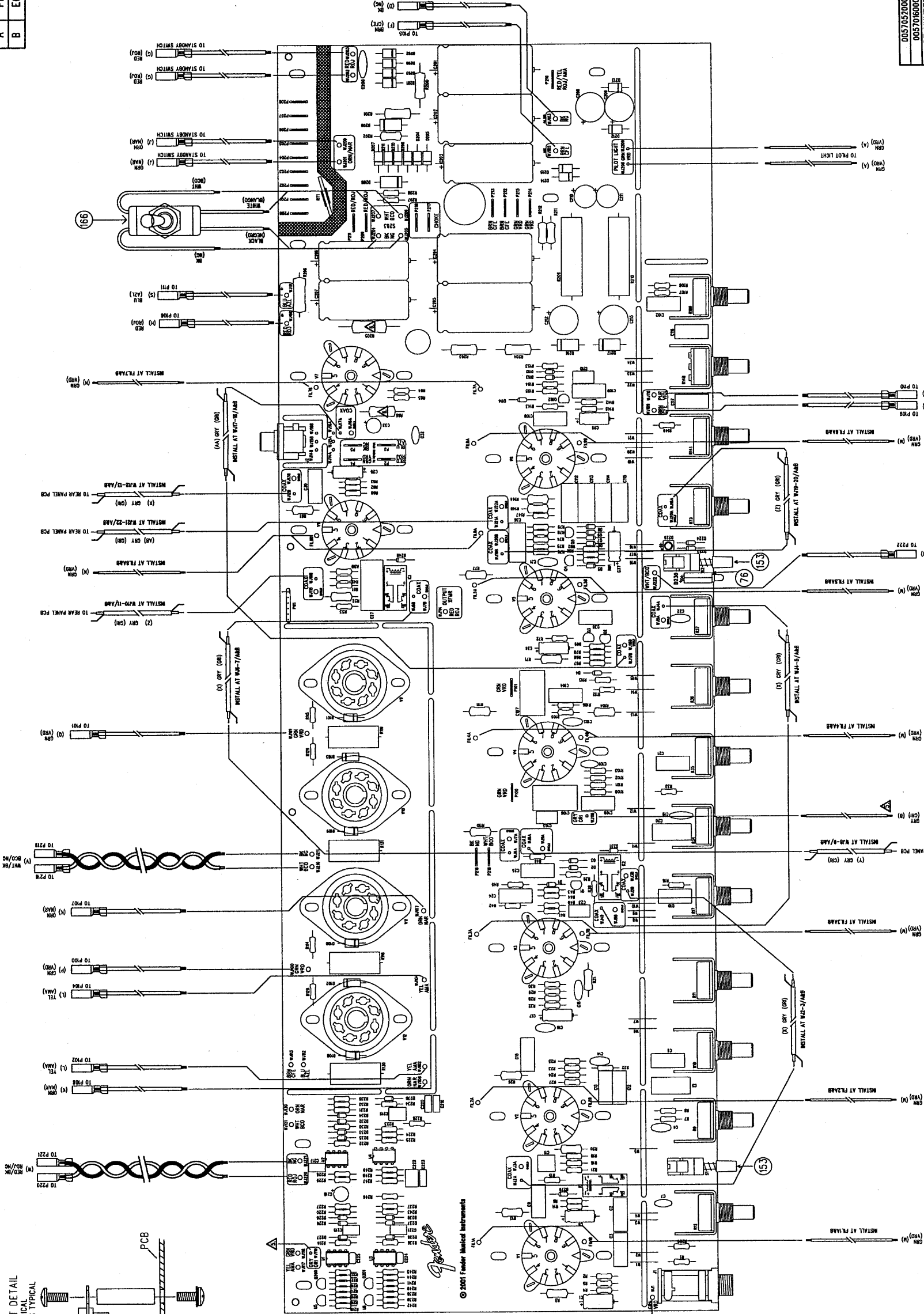
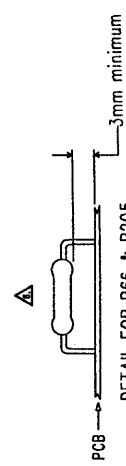
TITLE: SERVICE DIAGRAM, COMBINED (PCB assy)
PRO-TUBE AMPS
MAIN PCB

CHECKED BY: _____
DATE: _____
APPROVED BY: _____
DATE: _____
DRAWING NUMBER: 0057014000
RELEASE DATE: 9-04-00
SHEET 3 OF 4

THIS DOCUMENT CONTAINS INFORMATION OF A PROPRIETARY NATURE TO FENDER MUSICAL INSTRUMENTS AND SHALL NOT BE REPRODUCED, COPIED, TRANSMITTED TO OTHERS WITHOUT AUTHORIZATION FROM FENDER MUSICAL INSTRUMENTS.

- NOTES: (UNLESS OTHERWISE NOTED)
- USE RIV BUSHING NUMBER COMPARE TO ANEKC C201-307.
 - LETTERS IN BRACKETS () REFER TO PCB BRACKET ITEMS.
 - SEE A-SIZE BRACKETS & THROUGH-HOLE FOR BUSHING WIRE BRACKET P/N 004700000.
 - THE FOLLOWING ITEMS ARE NOT STUDED IN PRO/CONCERT ASSY:
 - WIRE BRACKET P/N 004700000
 - WIRE BRACKET P/N 004700000
 - WIRE BRACKET P/N 004700000
 - WIRE BRACKET P/N 004700000

FLM/PMC PCB ASSEMBLY DRAWING
DATABASE: 24481P/PCB DATE: 23-FEB-01

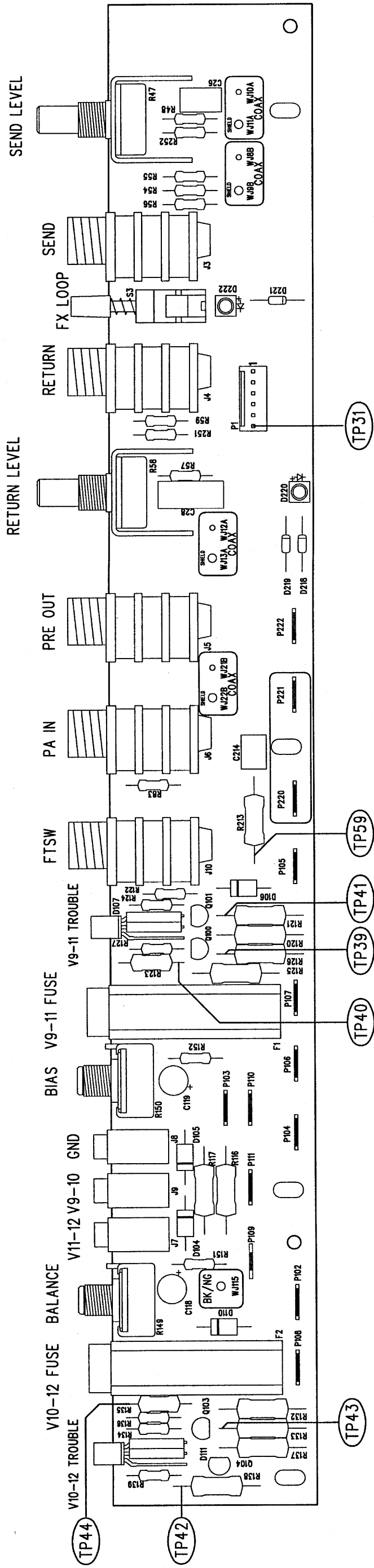


1
2
3
4
5
6
7
8

1
2
3
4
5
6
7
8

REVISIONS

REV.	DESCRIPTION	DATE	APPROVED
A	PR 448	16-OCT-00	S.M.B.
B	EC 2606	23-FEB-01	S.M.B.



FILM/DWG: SERVICE DIAGRAM
 DATABASE: Z448P2.PCB DATE: 16-OCT-00

Fender
 MUSICAL INSTRUMENTS
 Corona, CA U.S.A.

THIS DOCUMENT CONTAINS INFORMATION OF A PROPRIETARY NATURE TO FENDER MUSICAL INSTRUMENTS AND IS SUBMITTED TO YOU IN CONFIDENCE AND SHALL NOT BE DISCLOSED OR TRANSMITTED TO OTHERS WITHOUT AUTHORIZATION FROM FENDER MUSICAL INSTRUMENTS.

CHECKED BY: _____
 DATE: _____
 APPROVED BY: _____
 DATE: _____
 DRAWN: S.Bankhead ENGR: S.Bankhead
 DATABASE FILE: Z448P2.PCB

TITLE: SERVICE DIAGRAM, COMBINED (PCB assy)
 PRO-TUBE AMPS
 REAR PANEL PCB

SIZE: B DRAWING NUMBER: 0057014000 REV. B
 RELEASE DATE: 16-OCT-00 SHEET 4 OF 4

2. SEE PAGE 1 FOR NOTES AND TEST CONDITIONS
 1. WIRES NOT SHOWN FOR CLARITY
 NOTES: (UNLESS OTHERWISE NOTED)

THIS DOCUMENT CONTAINS INFORMATION OF A PROPRIETARY NATURE TO FENDER MUSICAL INSTRUMENTS AND IS SUBMITTED TO YOU IN CONFIDENCE AND SHALL NOT BE DISCLOSED OR REPRODUCED IN ANY MANNER WITHOUT APPROVATION FROM FENDER MUSICAL INSTRUMENTS CORP.

REV	BY	DATE	DESCRIPTION
A	PR 450	JR	
B	EC 2506 - CHC ITEMS 25 & 26 ADD ITEM 57	JR	

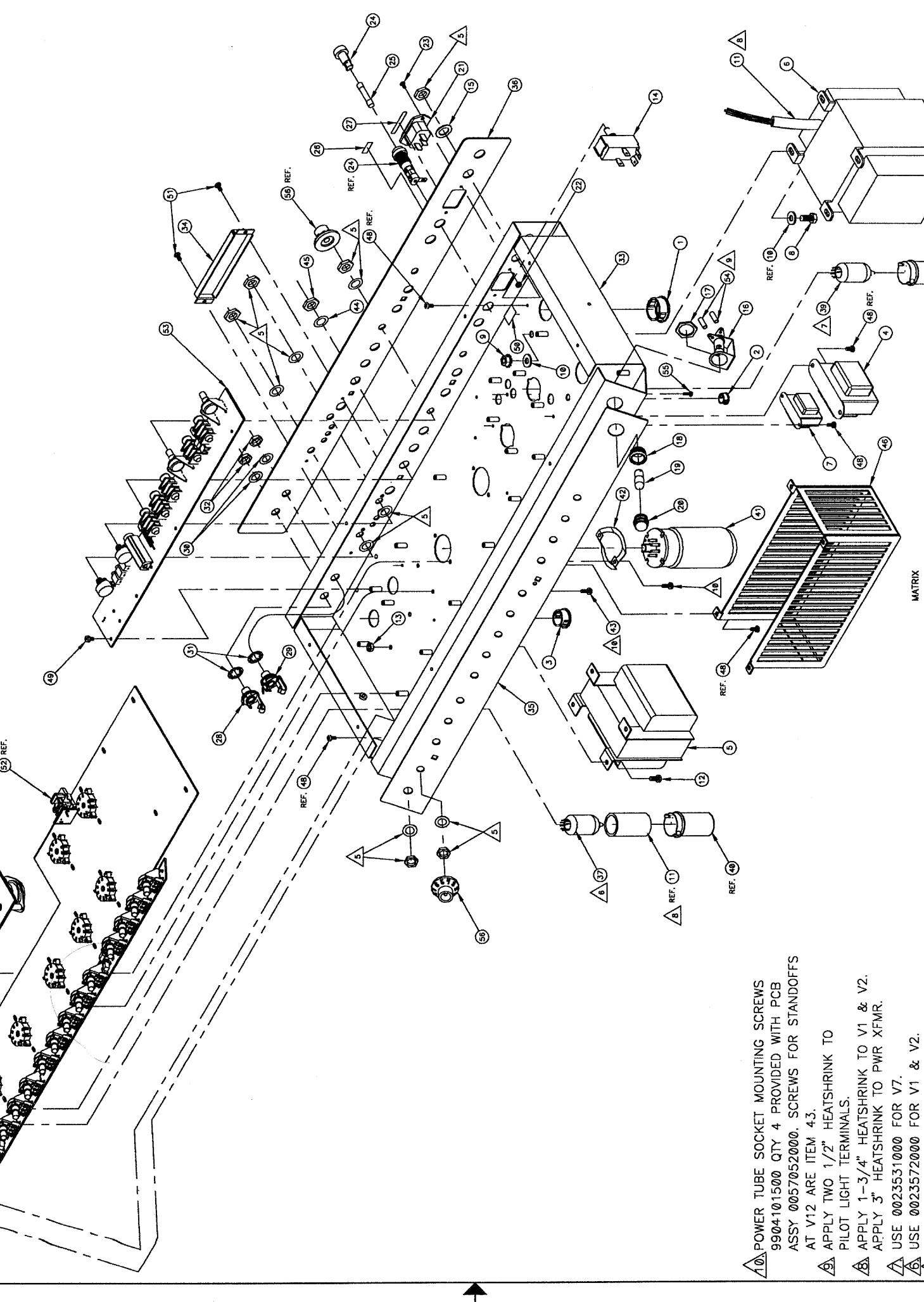
ITEM	QTY	PART #	DESCRIPTION
52	1	0057052000	PCB ASSY MAIN PRO/CONCERT REVERB
51	2	0032806000	SCRW TF 6-32x1/4 PHP BLX
50	1	0013020000	LABEL GROUNDING SEMKO
49	26	0031184000	SCRW M6-32x1/4 PHPS BLX ITLW
48	S.M.	0038900000	SCRW TF 6-32x1/4 PHP ZI
47	1	SEE MATRIX	WIRE SET CHASS. ASSY PRO-TUBE AMPS (N.S.)
46	1	SEE MATRIX	TUBE CAGE PRO-TUBE AMPS
45	5	0053479000	NUT HEX 7/16 20X1/8 NI
44	5	0053480000	WASHER FLAT .442 X.692 NI
43	2	9904101500	SCRW M 6-32x3/8 PHPS BLX ITLW /A
42	2	0020424000	TUBE RING UNIVERSAL (277H-2)
41	2	0053980000	TUBE VACUUM 6L6GC/58B1 SVTLNA
40	8	0053893000	TUBE SHIELD SUNN MODEL T
39	1	0023531000	TUBE 12AT7 HIGH MU TWIN TRIODE /A
38	5	0013341000	TUBE 7025/12AX7A RUSSIAN MADE (N.S.)
37	2	0023572000	TUBE 7025/12AX7A CHINESE /A/A
36	1	0057047000	PANEL, REAR PRO/CONCERT REVERB
35	1	0057064000	PANEL, FRONT CONCERT REVERB
34	1	0057032000	COVER BOX BIAS CONTROLS PRO-TUBE AMPS
33	1	0057045000	CHASSIS PRO/CONCERT REVERB
32	2	0016352000	NUT HEX 3/8-32x3/32 TK NI
31	2	0016436000	WSHR FLAT 3/8x.687x.035 NI
30	2	0031153000	WSHR FLAT 3/8x.614 NI
29	1	0041701000	JACK PHONE TRANSFER 13A
28	1	0021550000	JACK PHONE TIP SHUNT 12A
27	1	SEE MATRIX	LABEL VOLTAGE
26	1	SEE MATRIX	LABEL FUSE
25	1	SEE MATRIX	FUSE
24	1	SEE MATRIX	FUSE HOLDER FINGER GRIP
23	2	0014172000	SCREW M 4-40x1/4 PHP BLX
22	2	0097360000	NUT HEX 4-40 EX LOCK
21	1	0047213000	CONNECTOR AC LINE MALE IEC
20	1	0025718000	JEWEL PILOT LITE RED #20
19	1	0021642000	PILOT LIGHT #147
18	1	0032219000	COLLAR-PILOT LIGHT
17	1	0031625000	NUT HOLDER PILOT LIGHT 1/16-27
16	1	0021741000	HOLDER IDAL LITE ASSY PILOT
15	3	0022293000	WSHR FLAT .473x.750 NI
14	2	0036570000	SWITCH TOGGLE DPST W/ NUTS
13	4	0022004000	NUT KEPS #8-32 ZINC
12	4	0026553000	SCRW M 8-32x3/8 PHP BLX
11	0.5417	0047163000	TUBING SHRINK 1" BLACK
10	8	0022319000	WSHR FLAT 1/4x9/16 NI
9	4	0028272000	NUT KEP 1/4x20 FOJ
8	4	0026501000	SCRW C 1/4-20x1/2 HH BLK
7	1	0037099000	XFMR REVERB VIBROVERB/65 DLX
6	1	0055358000	XFMR POWER SUNN T50C
5	1	0049009000	XFMR OUTPUT PROSONIC
4	1	0036486000	CHOKE
3	2	0012560000	BUSHING SNAP 5/8x27/32 BLK
2	2	0018022000	BUSHING SNAP 5/16x17/32 BLK
1	2	0028069000	BUSHING SNAP 3/4x1-1/8 WHT

(N.S.) = (NOT SHOWN)
S.M. = SEE MATRIX

J. Richards
ENGINEER
COZZA
RICHARDS

DATE	09/25/2000
DATE	09/25/2000
DATE	09/25/2000
DATE	09/25/2000
DATE	09/25/2000
DATE	09/25/2000

TITLE	CHASSIS ASSEMBLY CONCERT REVERB
REV.	B
SHEET	1/1
SCALE	N/A
DATE	2-27-01

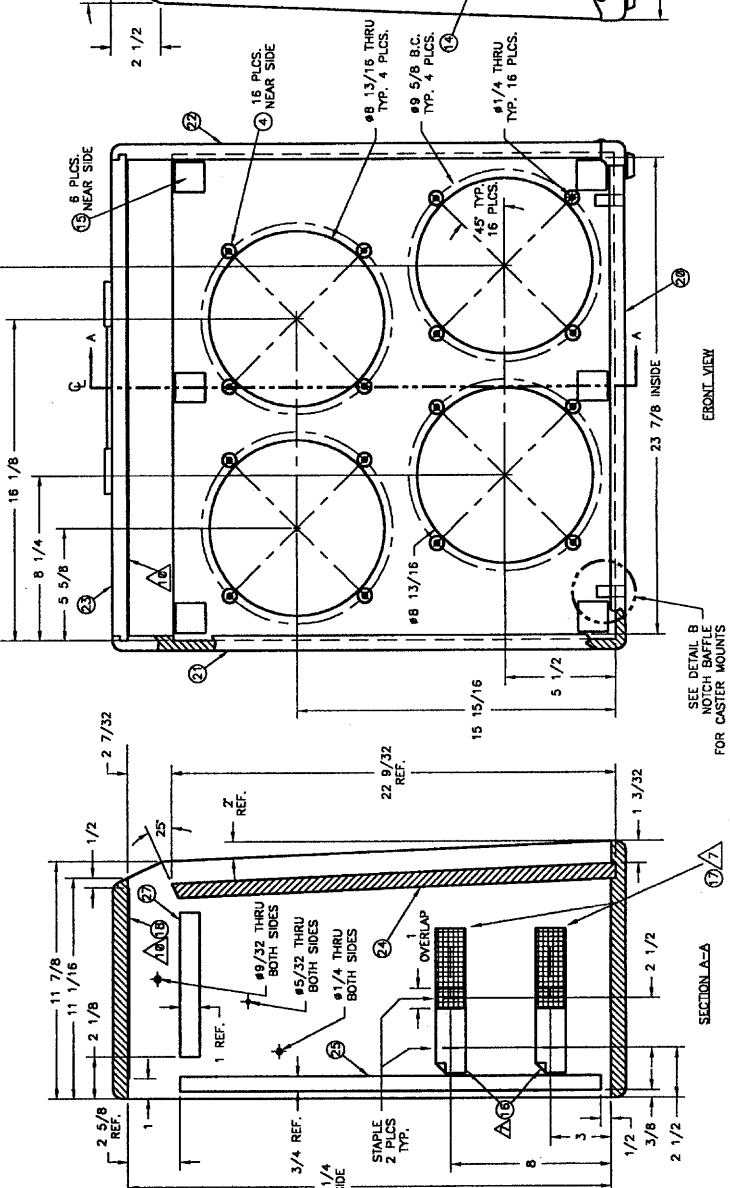
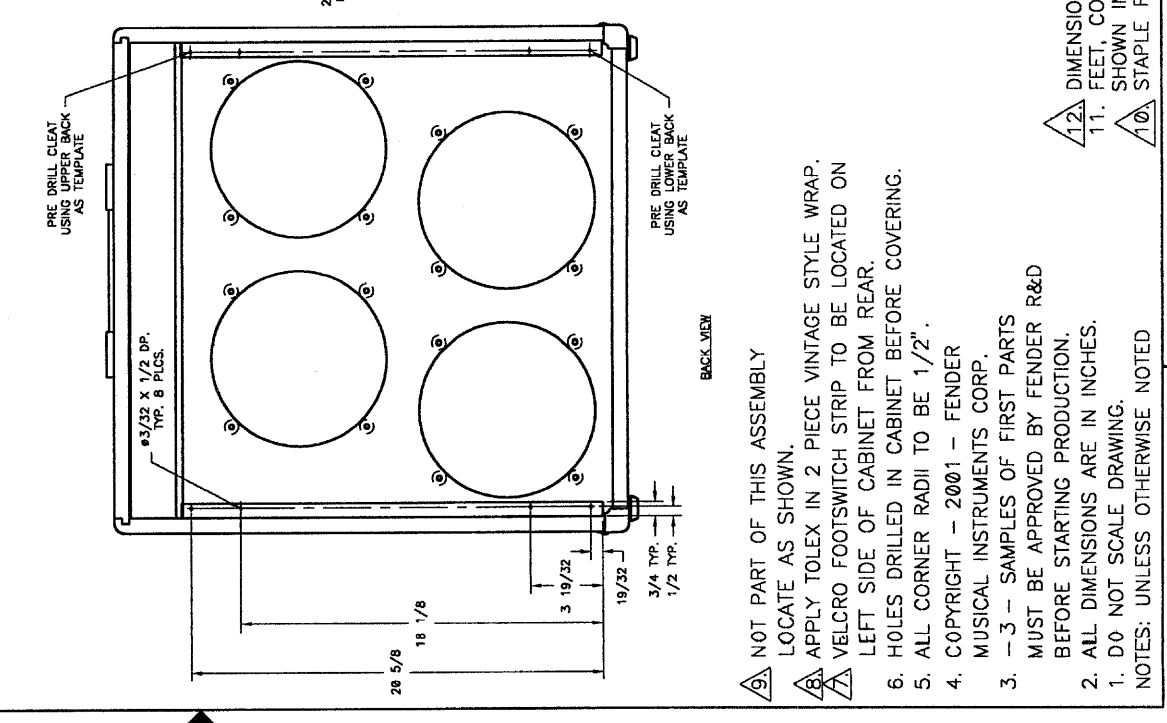
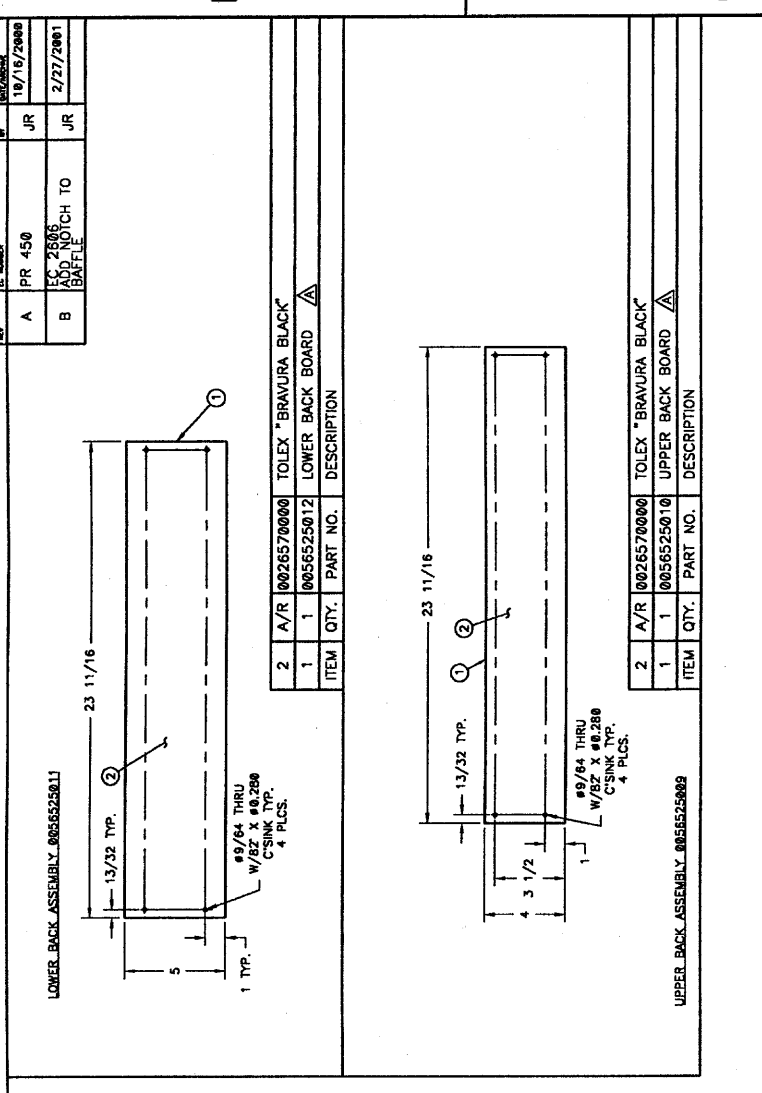
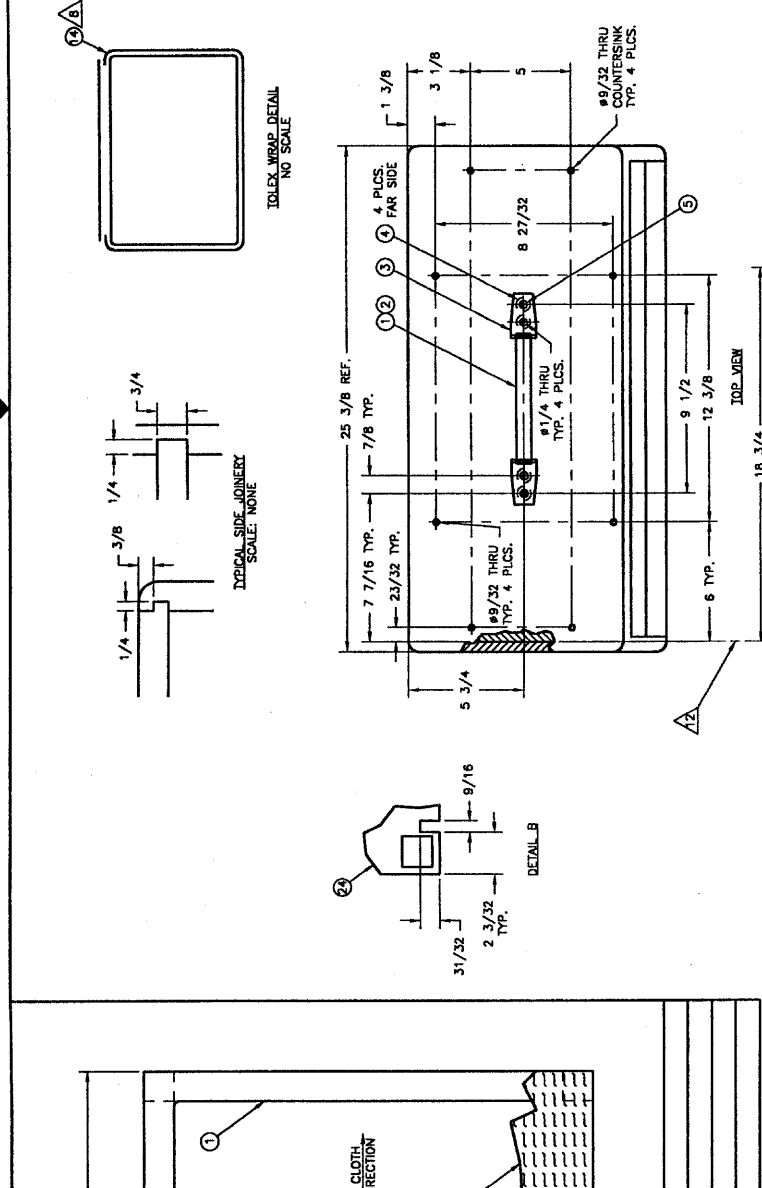
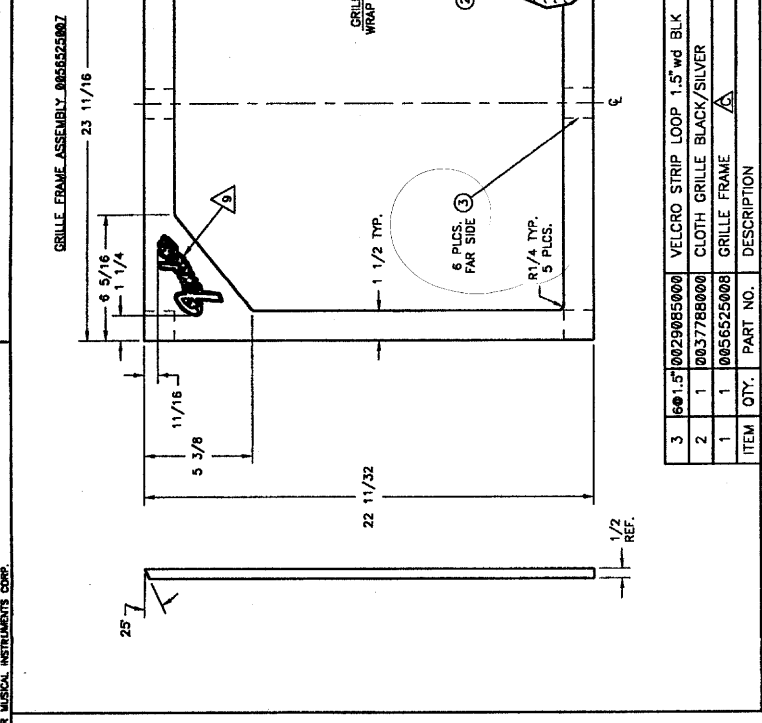


ITEM	QTY	PART #	DESCRIPTION
57	1	SEE MATRIX	20mmx5mm INLINE FUSE HLDR ASSY (N.S.)
56	15	0024604000	KNOB BLACK W/WHITE STAMP 1-10
55	1	0051155000	SCRW SMB #4X3/8 PHP BLX
54	0.09"	0012398000	TUBING SHRINK 3/16 BLACK
53	1	0057108000	PCB ASSY REAR PANEL PRO/CONCERT REVERB

MATRIX				
(57) FUSE HOLDER ASSY	N/A	0057185000	0057185000	N/A
(58) SCRW	QTY: 6	0057051000	0057051000	QTY: 6
(59) WIRE SET	N/A	0057051000	0057051000	N/A
(60) TUBE CAGE	N/A	0057106000	0057106000	N/A
(61) VOLTAGE LABEL	N/A	0050505000	0048859000	N/A
(62) LABEL FUSE	N/A	0048859000	0048859000	N/A
(63) FUSE	N/A	0013115000	0013115000	0077962000
(64) FUSE HOLDER	CONCERT RVB.	0036703000	0036703000	CONCERT RVB.
(65) CHASSIS ASSY.	CONCERT RVB.	0057001000	0057001000	CONCERT RVB.

- ▲ POWER TUBE SOCKET MOUNTING SCREWS 9904101500 QTY 4 PROVIDED WITH PCB ASSY 0057052000. SCREWS FOR STANDOFFS AT V12 ARE ITEM 43.
 - ▲ APPLY TWO 1/2" HEATSHRINK TO PILOT LIGHT TERMINALS.
 - ▲ APPLY 1-3/4" HEATSHRINK TO V1 & V2. APPLY 3" HEATSHRINK TO PWR XFMR.
 - ▲ USE 0023531000 FOR V7.
 - ▲ USE 0023572000 FOR V1 & V2.
 - ▲ HARDWARE INCLUDED WITH PART.
 - 4. COPYRIGHT - 2001 - FENDER MUSICAL INSTRUMENTS CORP.
 - 3. - 3 - SAMPLES OF FIRST PARTS MUST BE APPROVED BY FENDER R&D BEFORE STARTING PRODUCTION.
 - 2. ALL DIMENSIONS ARE IN INCHES.
 - 1. DO NOT SCALE DRAWING.
- NOTES: UNLESS OTHERWISE NOTED

THIS DOCUMENT CONTAINS INFORMATION OF A PROPRIETARY NATURE TO FENDER MUSICAL INSTRUMENTS AND IS SUBMITTED TO YOU IN CONFIDENCE AND SHALL BE KEPT SECRET AND NOT DISCLOSED TO OTHERS WITHOUT AUTHORIZATION FROM FENDER MUSICAL INSTRUMENTS CORP.



ITEM	QTY.	PART NO.	DESCRIPTION
2	A/R	0026570000	TOLEX "BRAVURA BLACK" LOWER BACK BOARD
1		0056525012	LOWER BACK BOARD

ITEM	QTY.	PART NO.	DESCRIPTION
31	2	0022285000	WSHR SP LOCK 1/4x.483 ZI
30	2	0022277000	SCRW M 10-32x1-1/2 OHP NI
29	2	0021998000	NUT FLEX LOCK 10-32 W/NYLON IN
28	6	0022319000	WSHR FLAT 1/4x9/16 NI
27	2	0056525013	CLEAT 3/4x1 7/8
26	4	0056482000	MOUNTING PLATE EL COM
25	2	0056525005	CLEAT 3/4x1 1/8
24	1	0056525005	CABINET BAFFLE
23	1	0056525004	CABINET TOP
22	1	0056525003	CABINET RIGHT SIDE
21	1	0056525002	CABINET LEFT SIDE
20	1	0056525001	CABINET BOTTOM
19	16	0027199000	SCRW SMA8 10x3/4 PHP NI
18	A/R	0037350000	TAPE ALUM 8"X60YDS
17	14	0029085000	VELCRO STRIP HOOK 1.5" wd BLK
16	14	0029085000	VELCRO STRIP LOOP 1.5" wd BLK
15	60	0029085000	VELCRO STRIP HOOK 1.5" wd BLK
14	A/R	0026570000	TOLEX "BRAVURA BLACK"
13	2	0031344000	SCRW SMA 10x3/4 OHP NI
12	2	0024646000	WASHER LEG STOP TN
11	4	0026571000	SCRW SMA8 BX5/8 THP NI
10	4	0026625000	SCRW WOOD 8x1 FH
9	4	0019275000	INSERT GUIDE CUSHION 1.27 DIA
8	2	0019276000	GLIDE CAB 1.24x.335 NI
7	2	0024851000	LEG AMP TILT 19"
6	4	0026566000	CORNER 2 HOLE W/TAB NI
5	4	0022244000	SCRW M 10-32x1-1/8 OHP NI
4	20	0021972000	NUT T 10-32x3/4 STR 3 PRNG BLK
3	2	0019279000	HANDLE CAP 2 HOLE NICKEL
2	1	0032524000	INSERT HANDLE
1	1	0027846000	HANDLE 9.25" NO LOGO

ENGINEER: COZZA

DRAWN: RICHARDS

DATE: 2/07/2000

MATERIAL: PN 0027882000 1/4" PLYWOOD, PN 0027500000 3/4" BIRCH PLYWOOD, PN 0027933000 1/2" BAL TIC BIRCH

FINISH: PAINT ALL EXPOSED SURFACES BLACK, UNLESS NOTED

FRACT. XX: 1/32, .050, .010, .015, .005, .001 DEGREES

HOLE DIA: .005, .001 DEGREES

UNMARKED ANGLES ARE 90 DEGREES.

PAINT ALL EXPOSED SURFACES BLACK UNLESS NOTED

TOL. SURFACES NOTED

FRACT. XX: 1/32, .050, .010, .015, .005, .001 DEGREES

HOLE DIA: .005, .001 DEGREES

UNMARKED ANGLES ARE 90 DEGREES.

12 DIMENSIONED FROM EDGE OF TONGUE.
11 FEET, CORNERS AND HANDLE NOT SHOWN IN ALL VIEWS FOR CLARITY.
10 STAPLE FOIL AT CORNERS & MIDDLE.

9 NOT PART OF THIS ASSEMBLY LOCATE AS SHOWN.
8 APPLY TOLEX IN 2 PIECE VINTAGE STYLE WRAP.
7 VELCRO FOOTSWITCH STRIP TO BE LOCATED ON LEFT SIDE OF CABINET FROM REAR.
6 HOLES DRILLED IN CABINET BEFORE COVERING.
5 ALL CORNER RADI TO BE 1/2".
4 COPYRIGHT - 2001 - FENDER MUSICAL INSTRUMENTS CORP.
3 - 3 - SAMPLES OF FIRST PARTS MUST BE APPROVED BY FENDER R&D BEFORE STARTING PRODUCTION.
2 ALL DIMENSIONS ARE IN INCHES.
1 DO NOT SCALE DRAWING.

NOTES: UNLESS OTHERWISE NOTED

REV.	BY	DATE
A	PR 450	10/16/2000
B	ADD NOTCH TO BAFFLE	2/27/2001

TITLE: CABINET ASSEMBLY CONCERT REVERB

DRAWING NUMBER: 0056525000

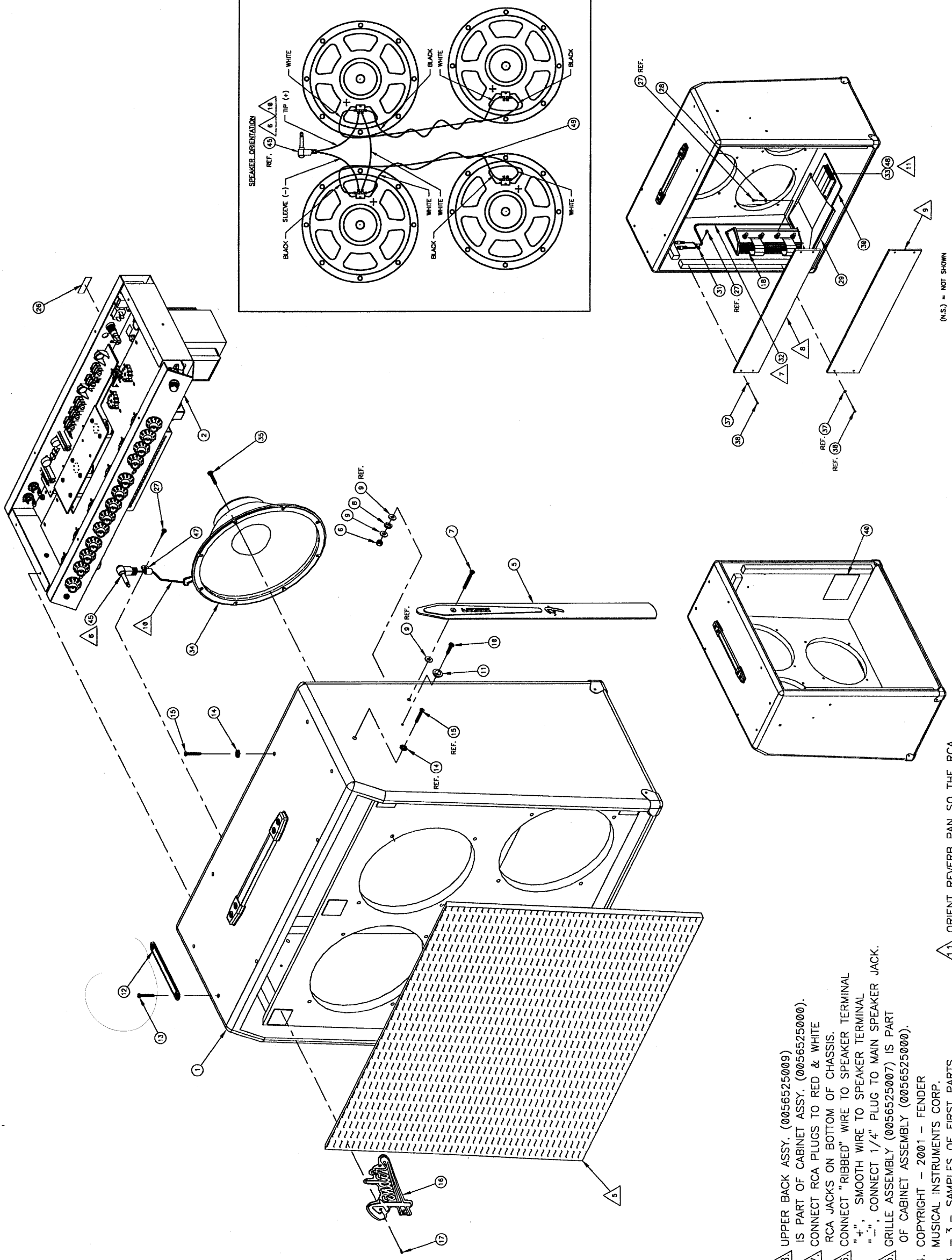
SHEET SIZE: 1/1

SCALE: N/A

DRAWING NUMBER: 0056525000

REVISION: B

THIS DOCUMENT CONTAINS INFORMATION OF A PROPRIETARY NATURE TO FENDER MUSICAL INSTRUMENTS AND IS SUBMITTED TO YOU IN CONFIDENCE AND SHALL NOT BE DISCLOSED OR TRANSMITTED TO OTHERS WITHOUT AUTHORIZATION FROM FENDER MUSICAL INSTRUMENTS CORP.



- 8. UPPER BACK ASSY. (0056525009) IS PART OF CABINET ASSY. (0056525000).
 - 7. CONNECT RCA PLUGS TO RED & WHITE RCA JACKS ON BOTTOM OF CHASSIS.
 - 6. CONNECT "RIBBED" WIRE TO SPEAKER TERMINAL "+", SMOOTH WIRE TO SPEAKER TERMINAL "-". CONNECT 1/4" PLUG TO MAIN SPEAKER JACK.
 - 5. GRILLE ASSEMBLY (0056525007) IS PART OF CABINET ASSEMBLY (0056525000).
 - 4. COPYRIGHT - 2001 - FENDER MUSICAL INSTRUMENTS CORP.
 - 3. - 3 - SAMPLES OF FIRST PARTS MUST BE APPROVED BY FENDER R&D BEFORE STARTING PRODUCTION.
 - 2. ALL DIMENSIONS ARE IN INCHES.
 - 1. DO NOT SCALE DRAWING.
- NOTES: UNLESS OTHERWISE NOTED

- 11. ORIENT REVERB PAN SO THE RCA JACKS POINT TOWARDS REAR OF CABINET.
- 10. SECURE SPEAKER CABLE TO INSIDE OF CABINET OPPOSITE REVERB CABLE.
- 9. LOWER BACK ASSY. (0056523011) IS PART OF CABINET ASSY. (0056523000).

(N.S.) = NOT SHOWN

ITEM	TAG WARRANTY	0053412000	0054357000	0047245000	0057060000	0057062000	0057063000	0057063000	0057063000
41	TAG WARRANTY	0053412000	0054357000	0047245000	0057060000	0057062000	0057063000	0057063000	0057063000
4	REGISTRATION CARD	0053412000	0054357000	0047245000	0057060000	0057062000	0057063000	0057063000	0057063000
3	CORD PWR	0053412000	0054357000	0047245000	0057060000	0057062000	0057063000	0057063000	0057063000
2	CHASSIS ASSEMBLY	0053412000	0054357000	0047245000	0057060000	0057062000	0057063000	0057063000	0057063000
ITEM	COMPONENT	0053412000	0054357000	0047245000	0057060000	0057062000	0057063000	0057063000	0057063000

REV.	DATE	BY	CHK.
A	PR 450	JR	JR
B	SC 2006	JR	JR
	FOR 2300 U.K.		

(N.S.) = NOT SHOWN

50	4	0048833000	LABEL SPEAKER SPL DGN Bohm 30W (N.S.)
49	1	0057153000	WIRESET END ITEM CONCERT REVERB
48	1	9906900590	CLAMP CABLE NYL ADHESIVE
47	1	0022491000	CLAMP CABLE NYL SCRW MNT 5/16
46	1	0010526000	TAG CASTER REMOVAL NOTICE (N.S.)
45	1	0028044000	CABLE ASSY SPKR RT ANG 33°
44	2	9903311400	BAG JIFFY #1 7-1/4x12 (N.S.)
43	1	0053863000	HANG TAG GROOVE TUBE (N.S.)
42	1	0053454000	STICKER BUMPER FEND SINCE 1946 (N.S.)
41	1	SEE MATRIX	TAG WARRANTY 5 YR FENDER-NEW (N.S.)
40	1	0057111000	LABEL TUBE PRO/CONCERT REVERB
39	1	0033071000	TAG HANG 100% TUBE CIRCUITRY (N.S.)
38	8	0037852000	SCRW SMA #6x1 OHP NI
37	8	0037215000	WSHR C'SNK #6 NI
36	4	0056483000	CASTER SWIVEL EL COM 2-12 CABS (N.S.)
35	16	0026577000	SCRW M 10-32x1 PHP BLX
34	4	0048832000	SPEAKER 10" 8M 30W(999-4810-002)
33	1	0064063000	REVERB UNIT 4 SPRING 4AB3C1B
32	1	0025722000	CABLE REVERB 1100mm
31	1	0012582000	CLAMP CABLE NYL SCRW MNT 1/4
30	1	0028453000	PAD CARDBOARD REVERB
29	1	0031849000	REVERB BAG
28	2	0022327000	WSHR FLAT 8x7/16 NI
27	4	0029820000	SCRW PB 8x3/4 PHP ZI
26	1	0049081000	LABEL SERIAL (CORONA)
25	1	9903320000	BAG POLY ZIP 10x13 2M (N.S.)
24	1	0057049000	MANUAL OWNERS PRO/CONCERT (N.S.)
23	1	0057014000	SVC DIA COMB PRO-TUBE AMPS (N.S.)
22	6	0057170000	CORNER SET 1 FOAM PRO-TUBE AMPS (N.S.)
21	2	0057171000	CORNER SET 2 FOAM PRO-TUBE AMPS (N.S.)
20	1	0029757000	BAG POLY 35x22x52 .0015 (N.S.)
19	1	0057066000	CARTON CONCERT REVERB (N.S.)
18	1	0057025000	FOOTSWITCH ASSY 4 BUTTON
17	3	0037985000	SCRW SMA 2x3/8 PHP BLX
16	1	0023192000	NAMEPLATE FNR 65 TWIN(994093)
15	6	0036199000	SCRW M 8-32x1-3/16 OHP BLX CP
14	6	0029527000	WSHR FNH 8-5/8 FLNGD BLX WX
13	4	0057105000	SCR M 8-32 x 1-3/16 OHP NI CP
12	2	0024752000	STRAP CHASSIS 4-1/2" NICKEL
11	2	0024646000	WASHER LEG STOP TN
10	2	0031344000	SCRW SMA 10x3/4 OHP NI
9	6	0022319000	WSHR FLAT 1/4x9/16 NI
8	2	0022285000	WSHR SP LOCK 1/4x.493 ZI
7	2	0022277000	SCRW M 10-32x1-1/2 OHP NI
6	2	0021998000	NUT FLEX LOCK 10-32 W/NYLON IN
5	2	0024851000	LEG AMP TILTBACK 19"
4	1	SEE MATRIX	REGISTRATION CARD (N.S.)
3	1	SEE MATRIX	CORD PWR W/IEC CONN (N.S.)
2	1	SEE MATRIX	CHASSIS ASSY CONCERT
1	1	0058525000	CABINET ASSY CONCERT

ENGINEER
COZZA
DRAWN
RICHARDS
DATE
10-09-2000

DATE	ENG.	DATE	DATE
10-09-2000	COZZA	10-09-2000	COZZA
10-09-2000	RICHARDS	10-09-2000	RICHARDS

TITLE
CONCERT REVERB
FENDER MUSICAL INSTRUMENTS CORP.
CORONA, CALIFORNIA U.S.A.

REV.	SIZE	DRAWING NUMBER
B	D	021590000
1/1	N/A	SCALE
1/1	N/A	SCALE