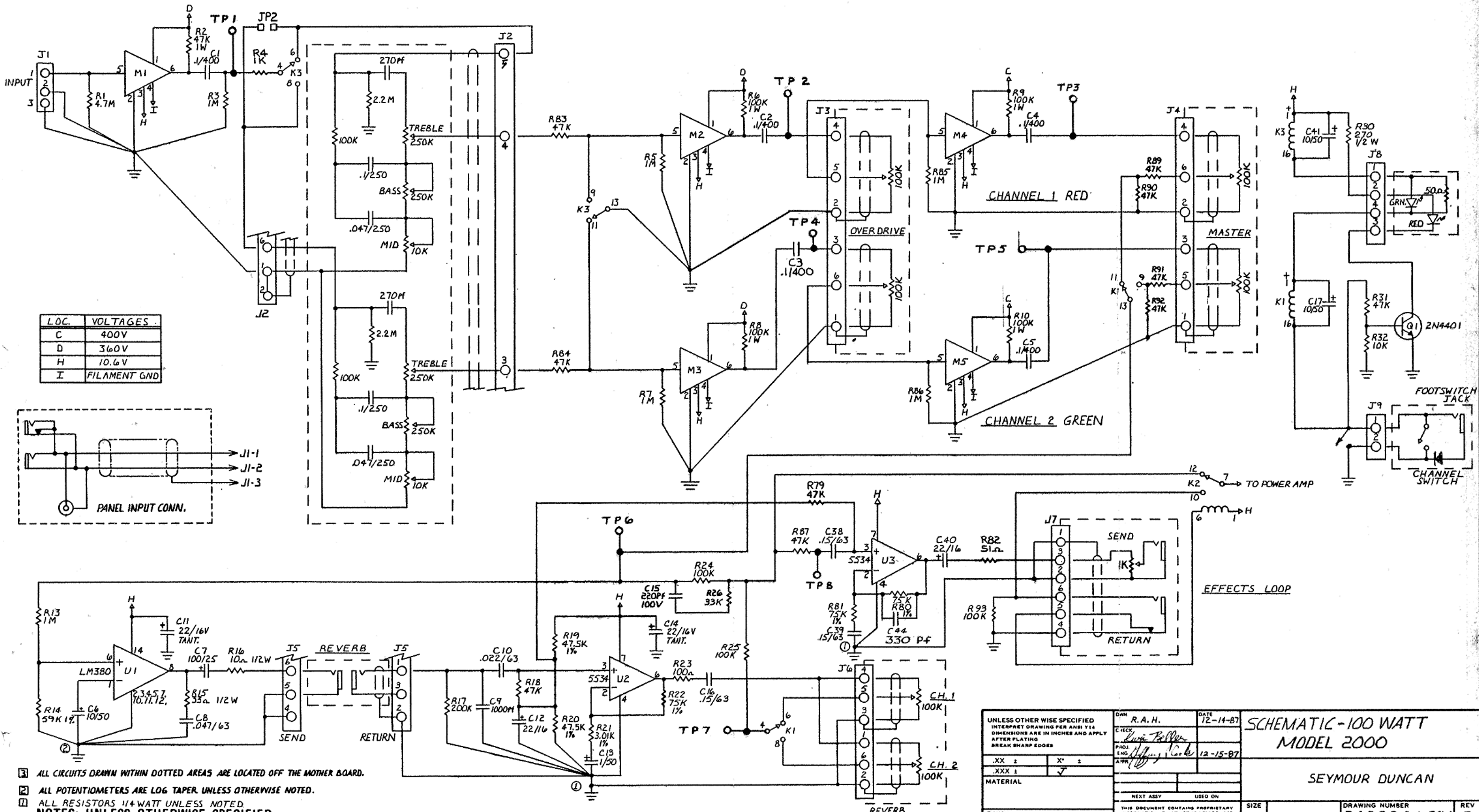


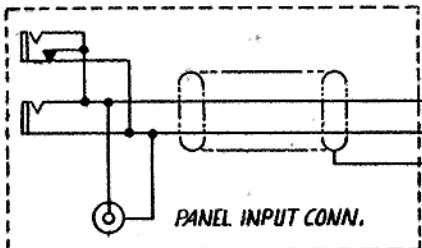
REVISIONS			
REV.	DESCRIPTION	DATE	APP.
A	RELEASED		
B	INCORP MFG ECR 629	4-88	H/C
C	INCORP MFG ECR #634	5-8-88	STM
D	INCORP MFG ECR 642	5-13	STM
E	INCORP MFG ECR 645	5-19	STM

DRAWING NO. REV.

4 ALL CHASSIS GROUNDS AND MOTHERBOARD MAIN GROUND ARE JOINED THROUGH THE 6-32 STANDOFF LOCATED ON THE MAIN FILTER CAPACITOR SUB-BOARD LOCATED BENEATH THE MOTHERBOARD. THE SCREW JOINING THE TWO BOARDS MUST BE TIGHT IN ORDER FOR THE AMP TO FUNCTION PROPERLY.



LDC.	VOLTAGES
C	400V
D	360V
H	10.6V
I	FILAMENT GND



3 ALL CIRCUITS DRAWN WITHIN DOTTED AREAS ARE LOCATED OFF THE MOTHER BOARD.  
 2 ALL POTENTIOMETERS ARE LOG TAPER UNLESS OTHERWISE NOTED.  
 1 ALL RESISTORS 1/4 WATT UNLESS NOTED  
 NOTES: UNLESS OTHERWISE SPECIFIED

UNLESS OTHERWISE SPECIFIED INTERPRET DRAWING PER ANSI Y14 DIMENSIONS ARE IN INCHES AND APPLY AFTER PLATING BREAK SHARP EDGES		DWN R. A. H.	DATE 12-14-87	SCHEMATIC - 100 WATT MODEL 2000
XX ±	X' ±	CHK <i>Kevin Peller</i>	END <i>Jeffrey Park</i>	
MATERIAL		SEYMOUR DUNCAN		
FINISH		DRAWING NUMBER 240004-1-5CM		
		REV E		
		SCALE		
		SHEET 1 OF 2		