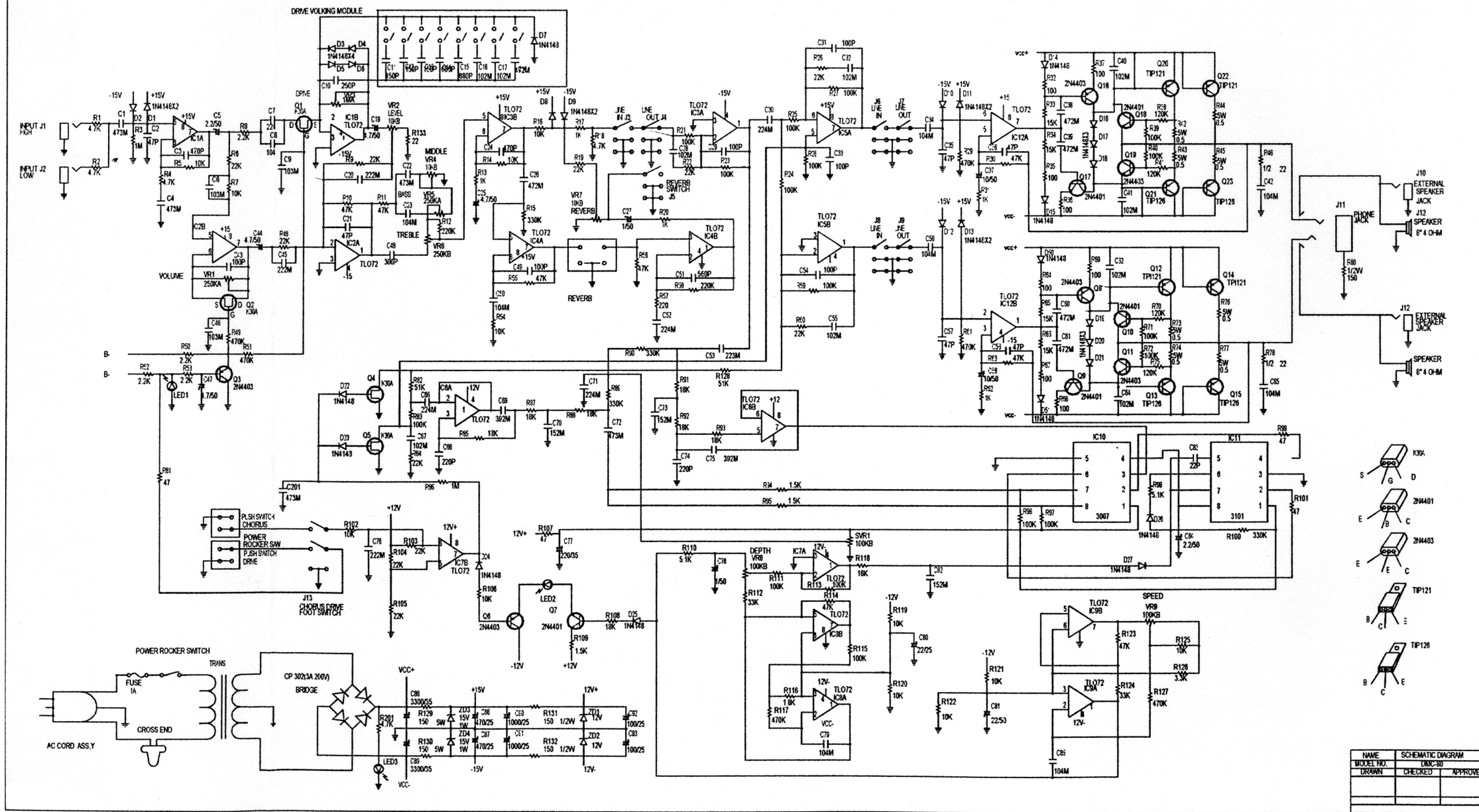


# SCHEMATIC DIAGRAM DMC-80



- K30A
- 2N4401
- 2N4403
- TP121
- TP128

| NAME      | SCHEMATIC DIAGRAM |
|-----------|-------------------|
| MODEL NO. | DMC-80            |
| DRAWN     | CHECKED           |
|           | APPROVED          |