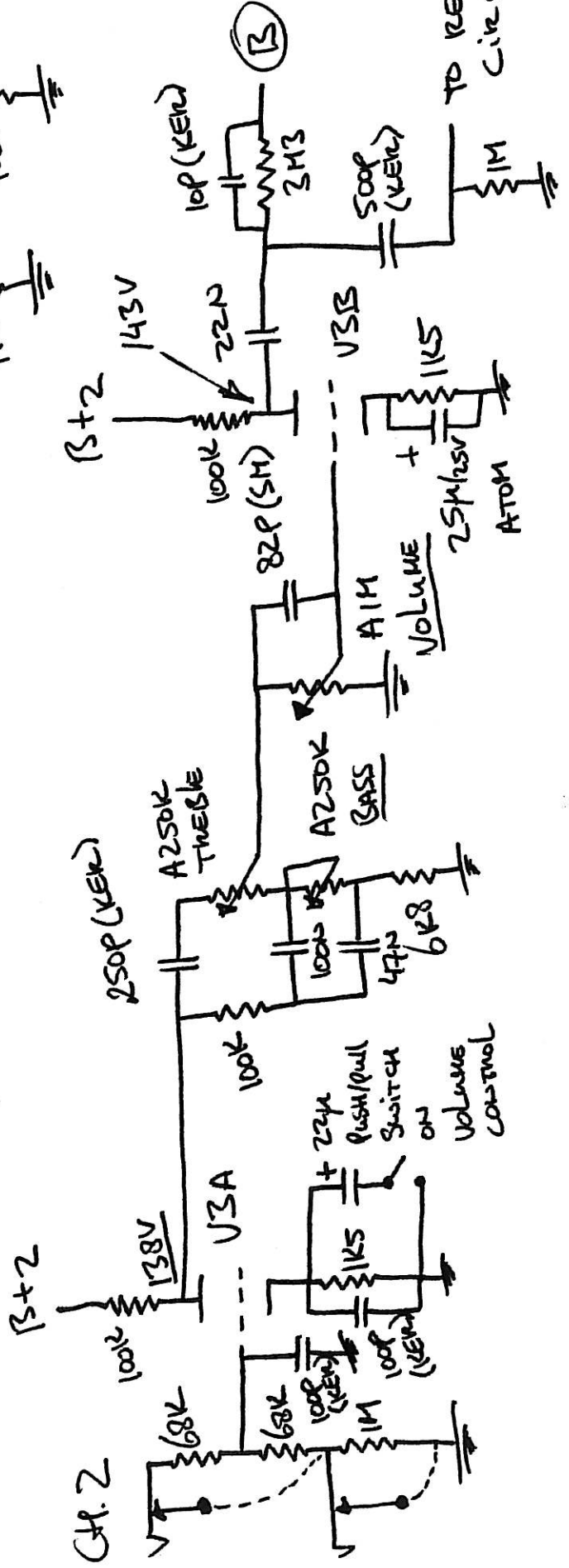
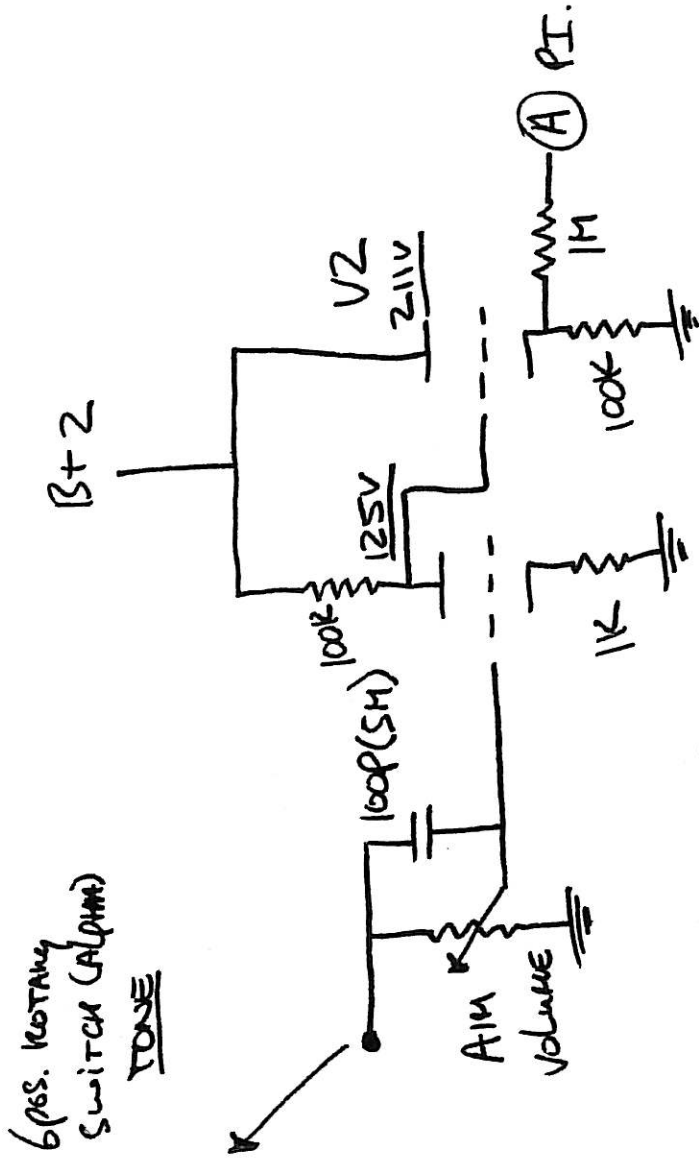
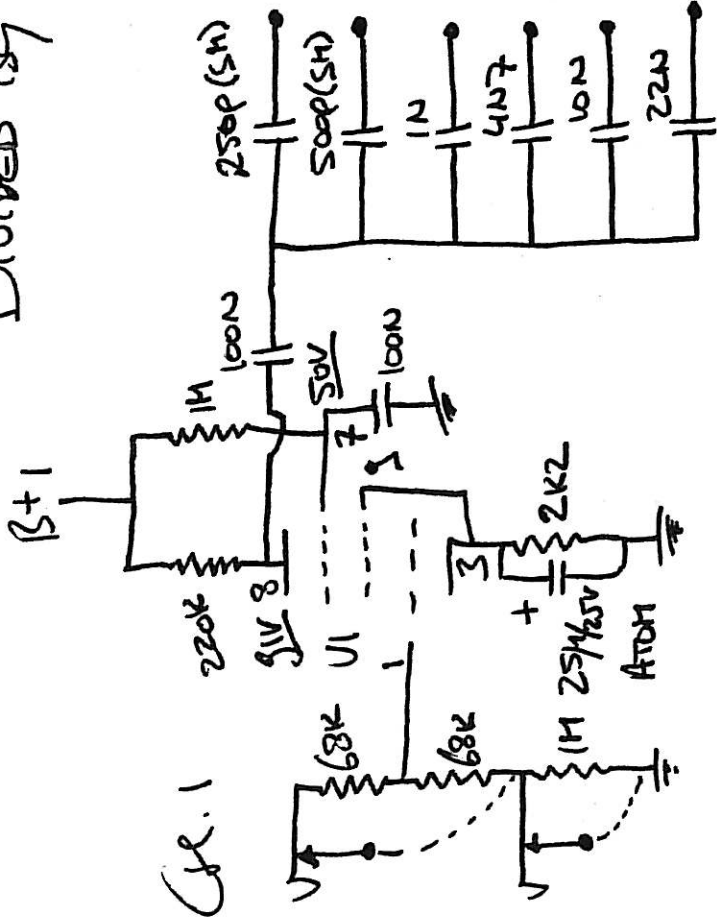


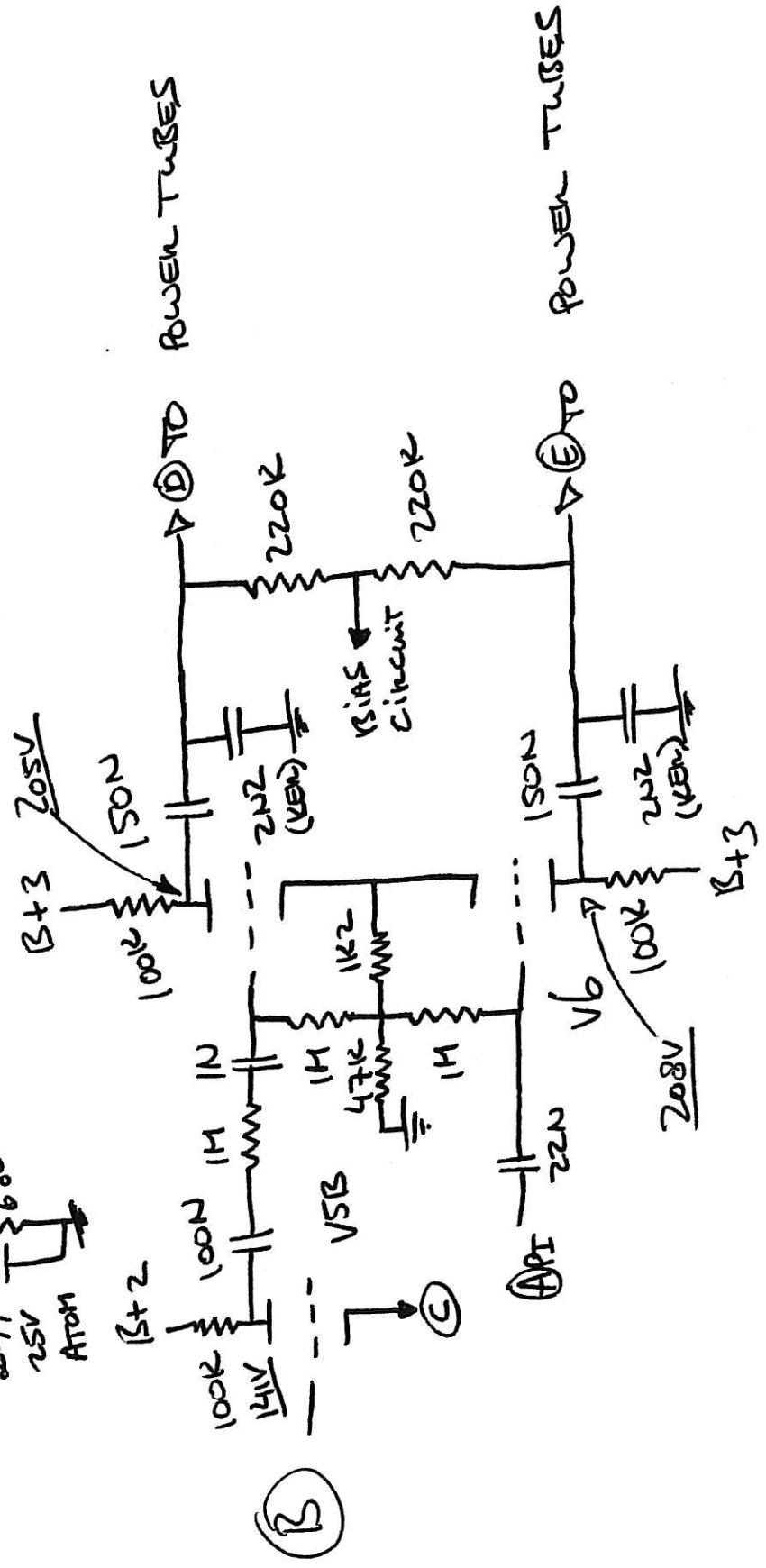
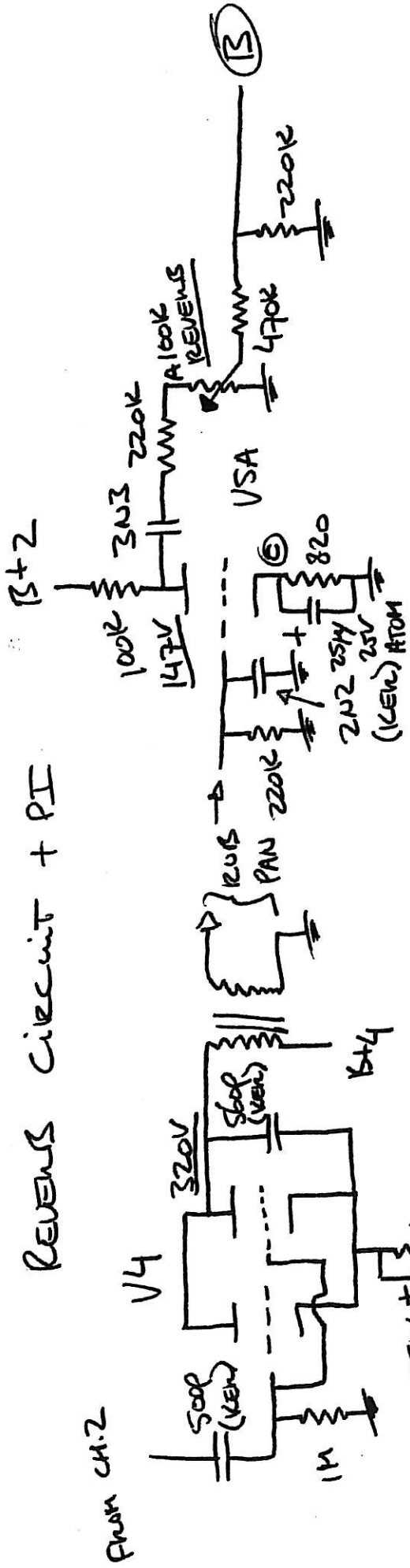
Divided By 13 FTR 37

Drawn 3-3-2008

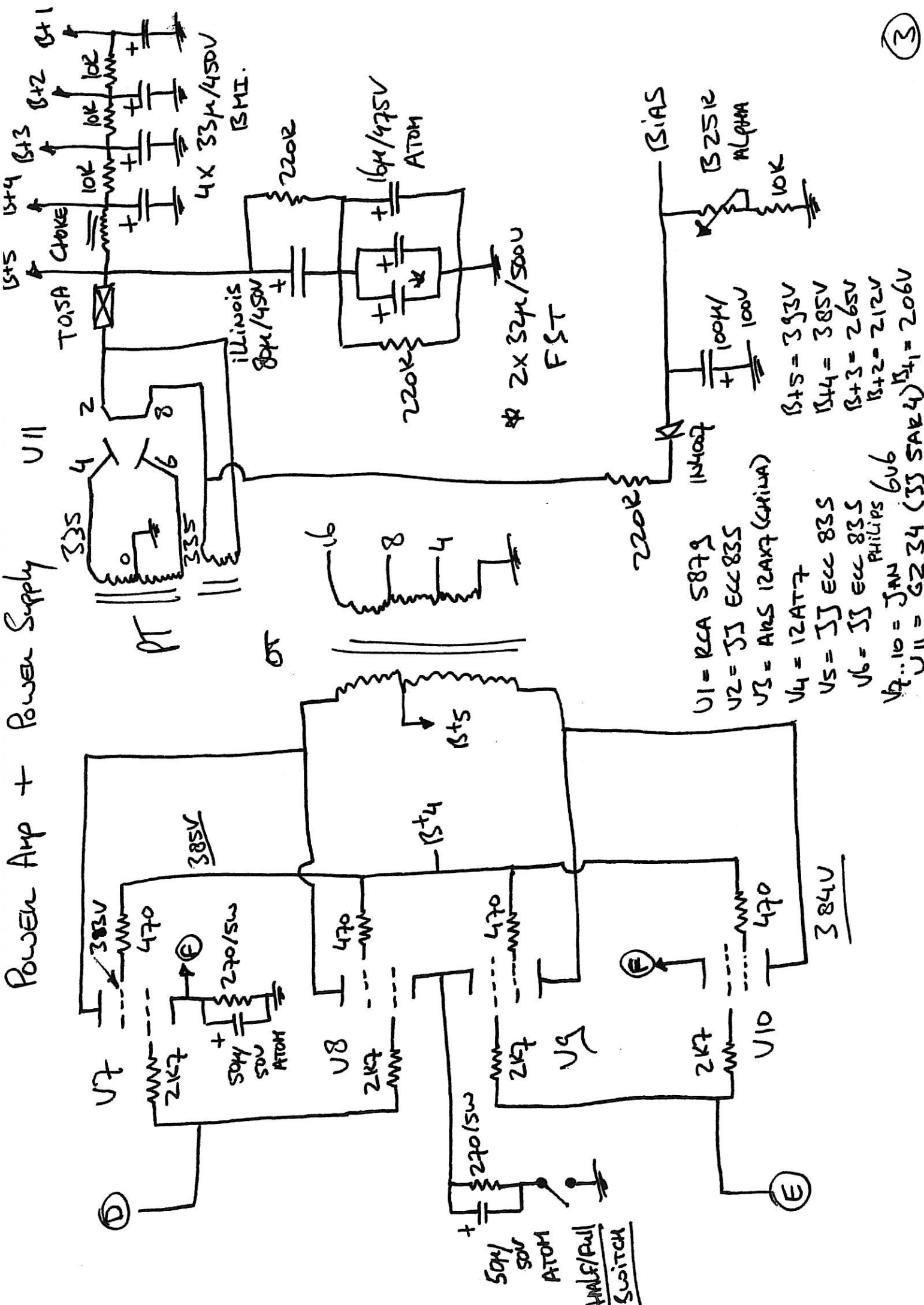
By E. THOEN; WWW.EDSCUSTOMSHP.COM



REVEWS Circuit + PI



Power Amp + Power Supply



- U1 = RCA 5879
 - U2 = JJ ECC 83S
 - U3 = ARS 12AX7 (PHILIPS)
 - U4 = 12AT7
 - U5 = JJ ECC 83S
 - U6 = JJ ECC 83S
 - U7..10 = JAN PHILIPS 606
 - U11 = GZ 34 (JJ SAR 4) B₁₁ = 206V
- B₁₅ = 333V
 B₁₄ = 385V
 B₁₃ = 265V
 B₁₂ = 212V
 B₁₁ = 206V