

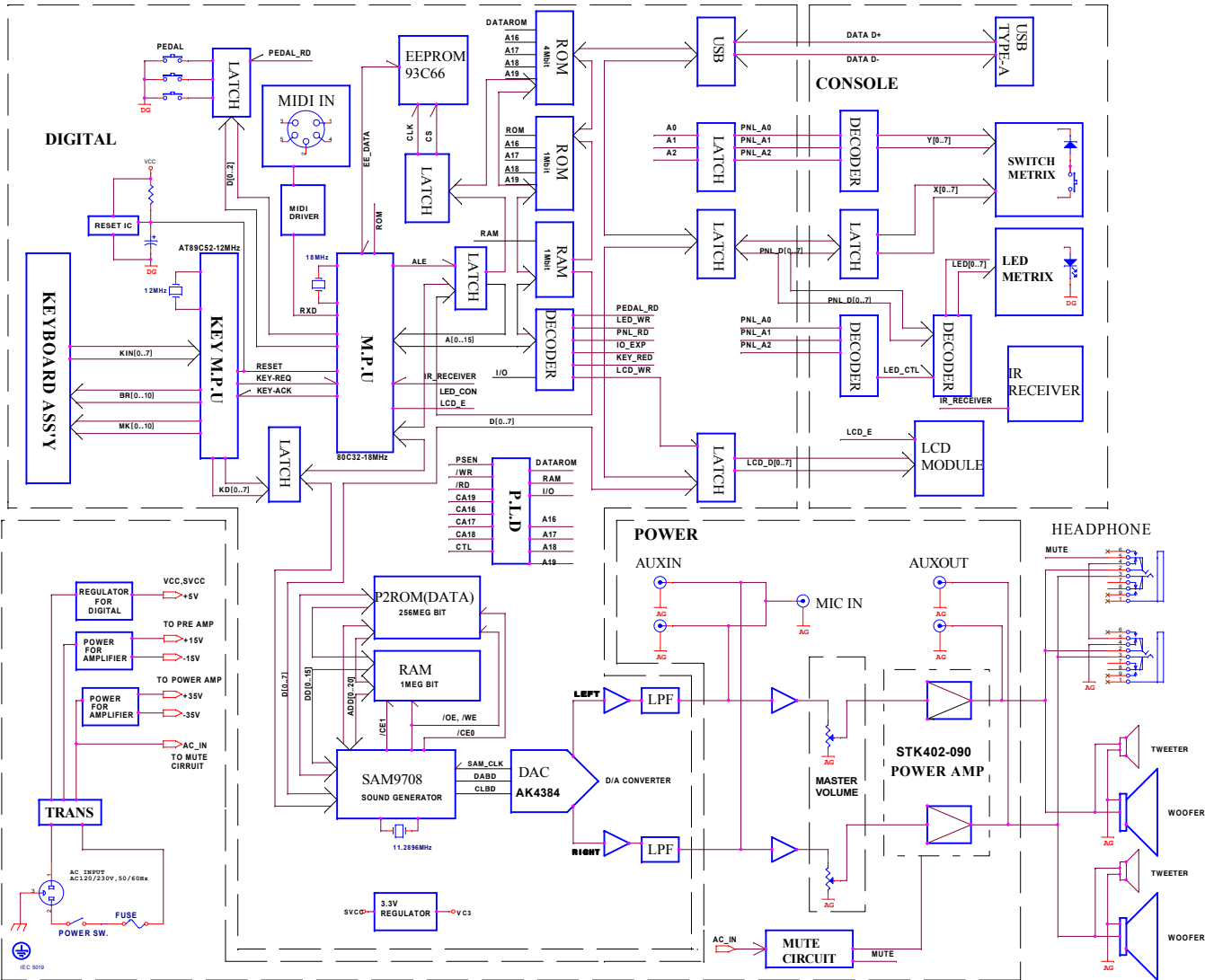
SERVICE MANUAL

DIGITAL PIANO DPR390

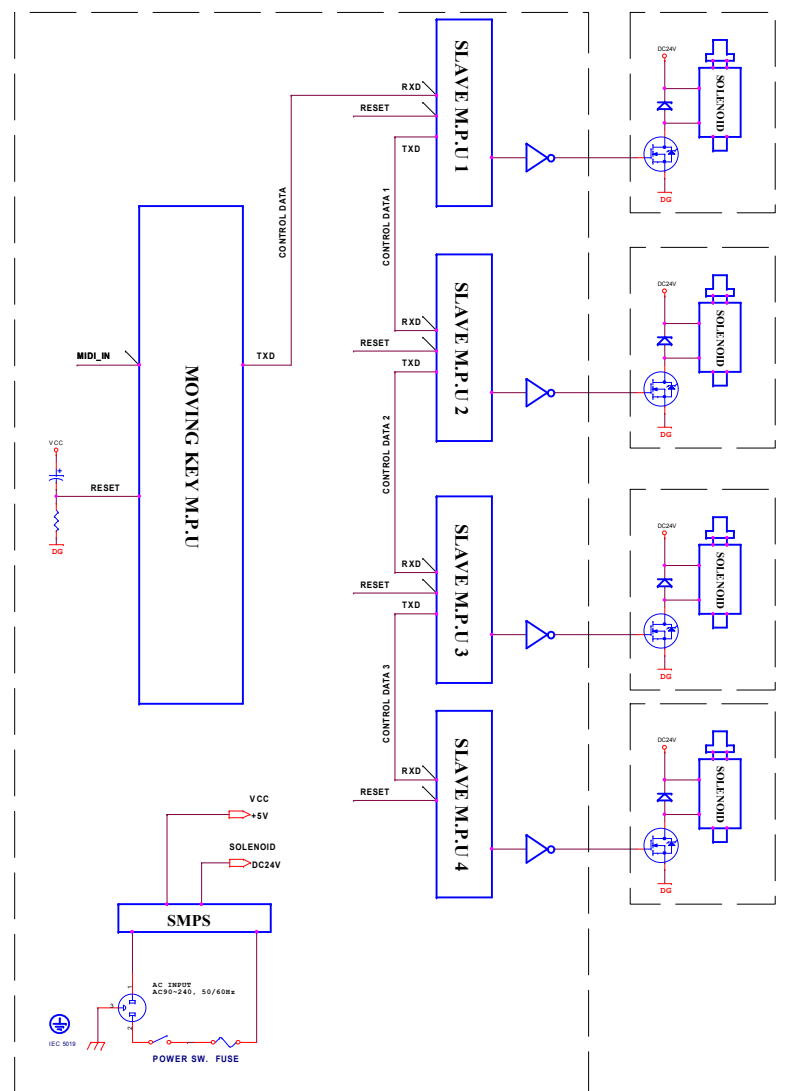


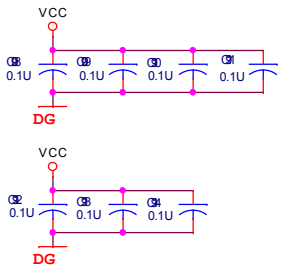
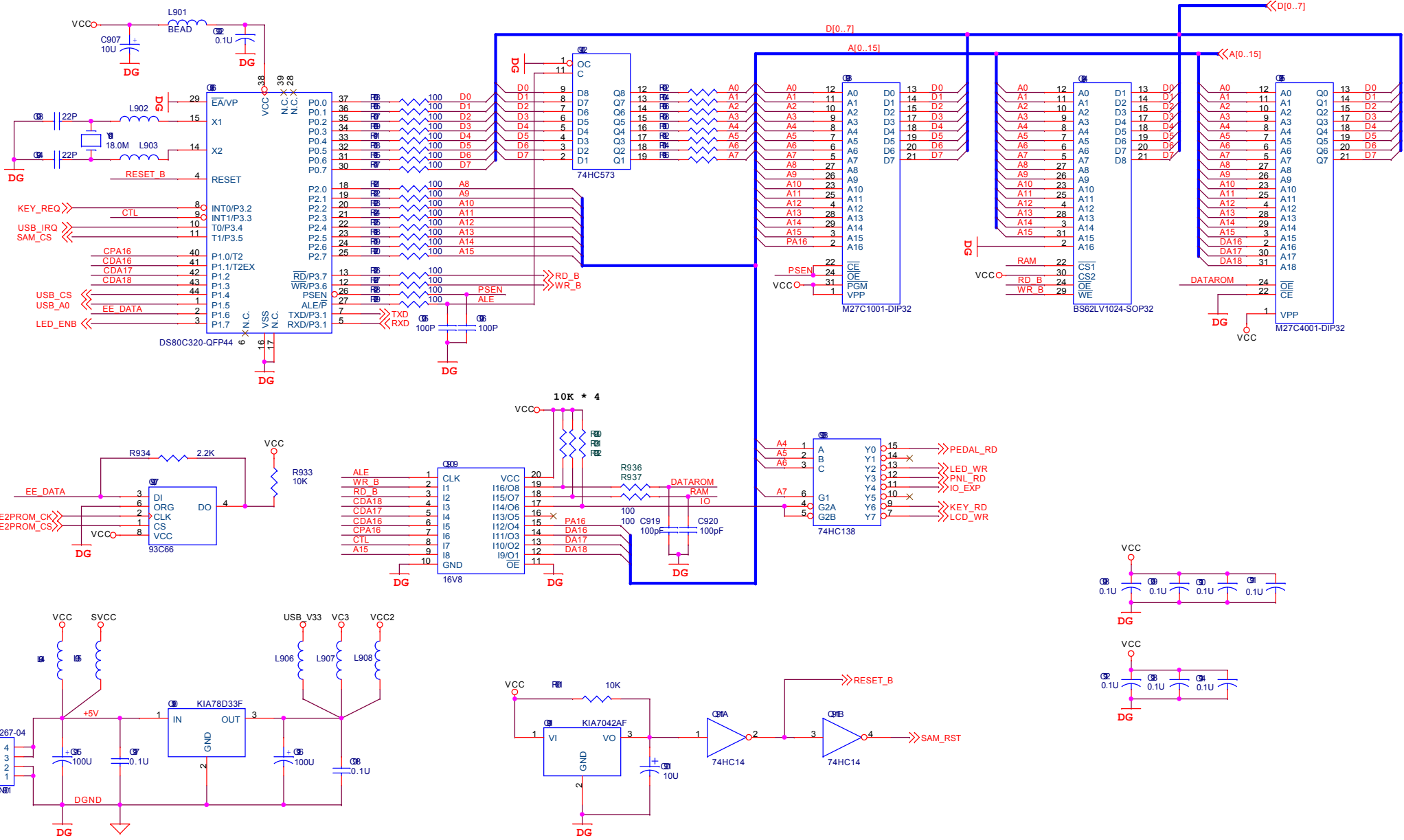
BLOCK DIAGRAM

PIANO BLOCK

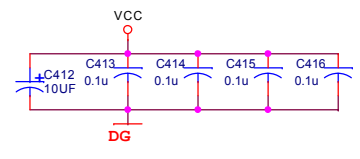
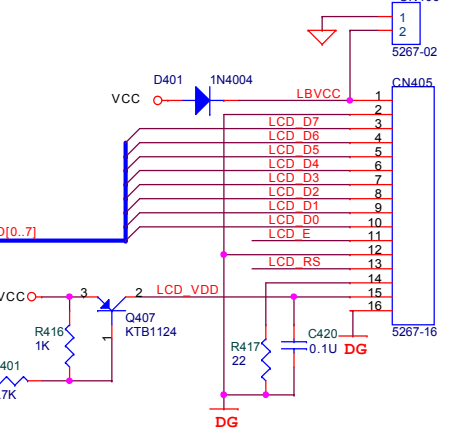
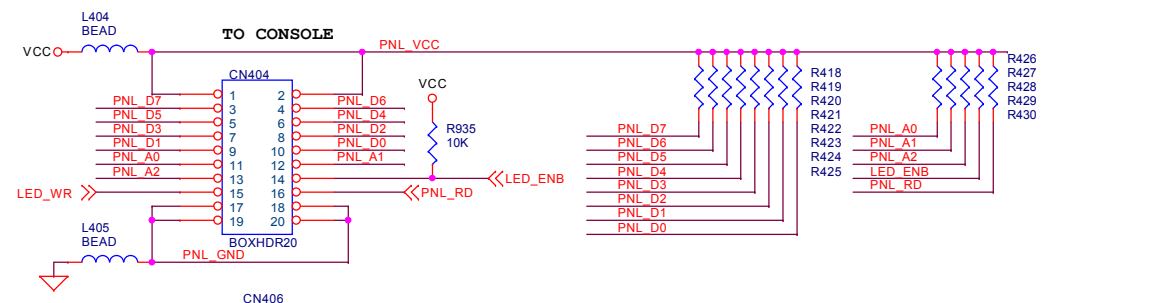
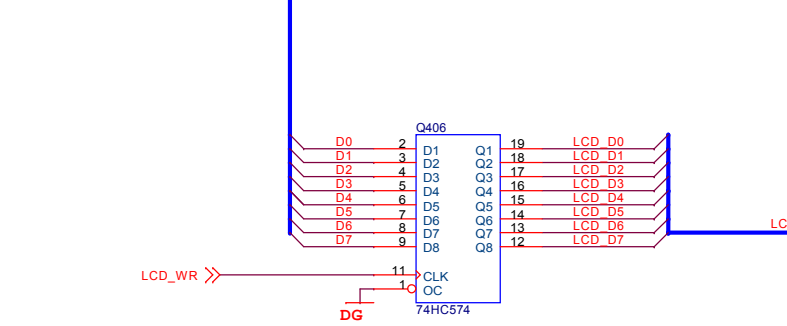
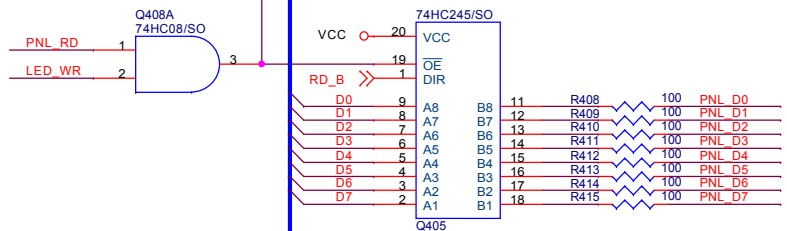
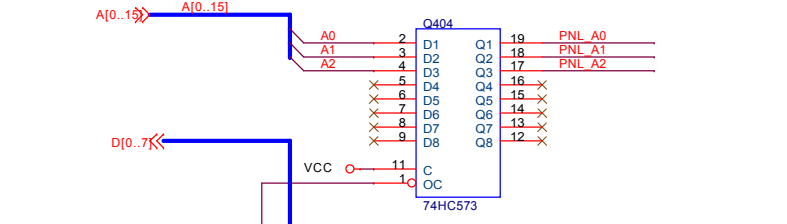
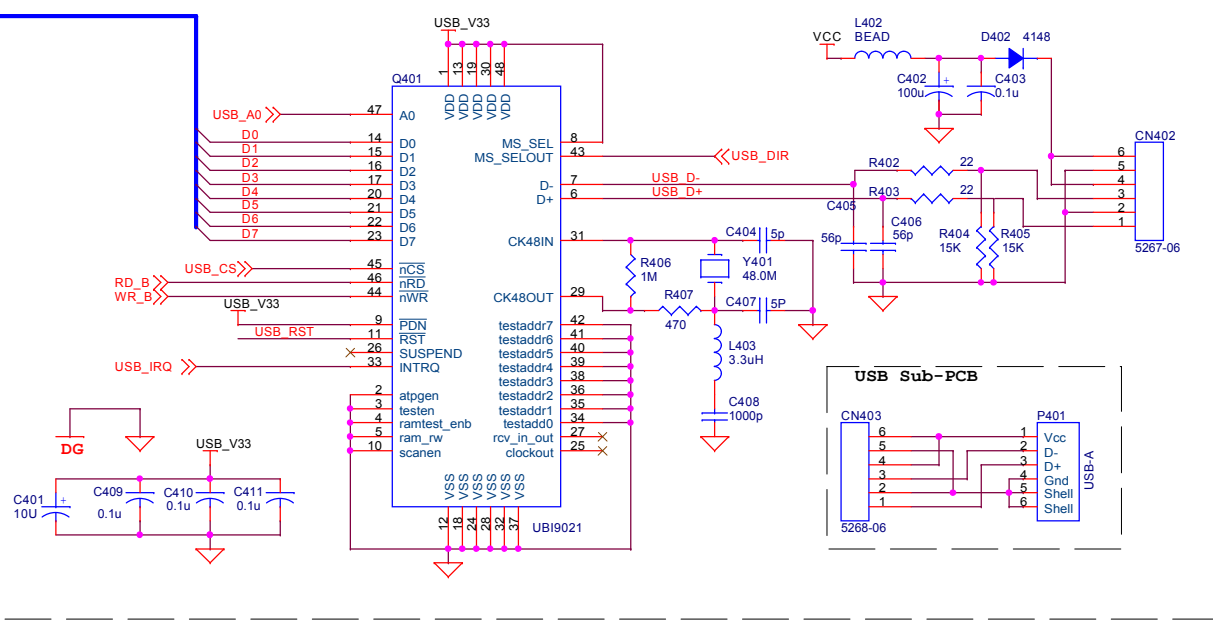
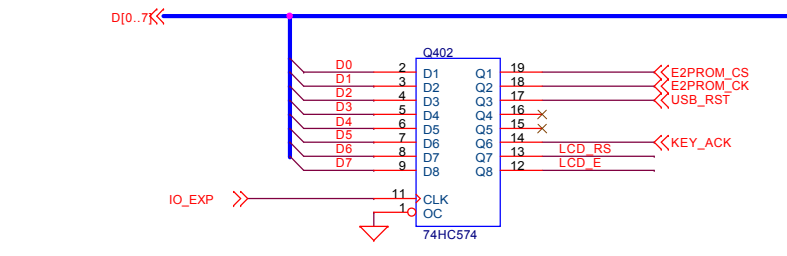


MOVING KEY BLOCK

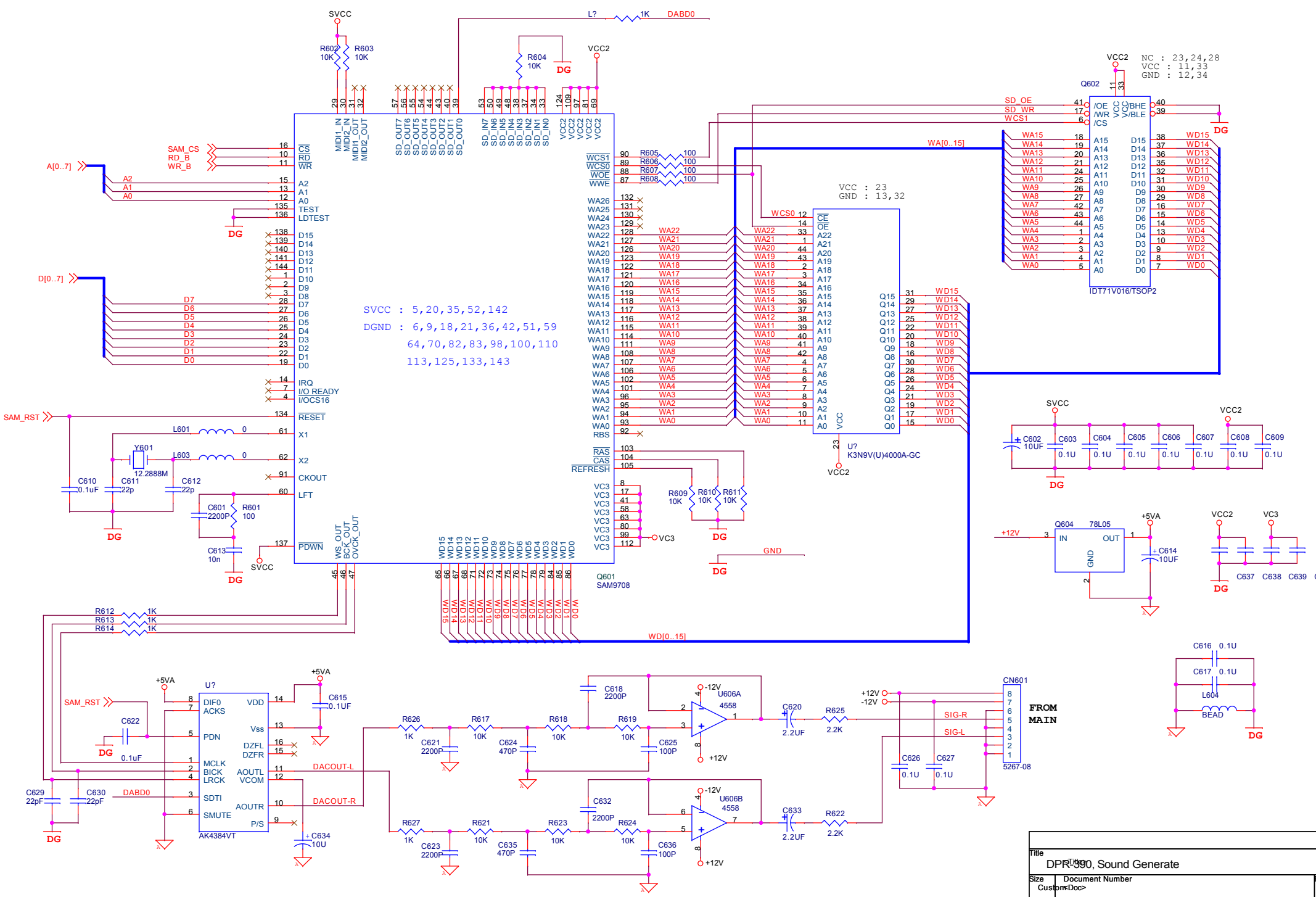




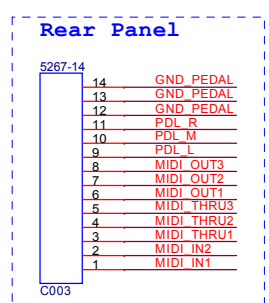
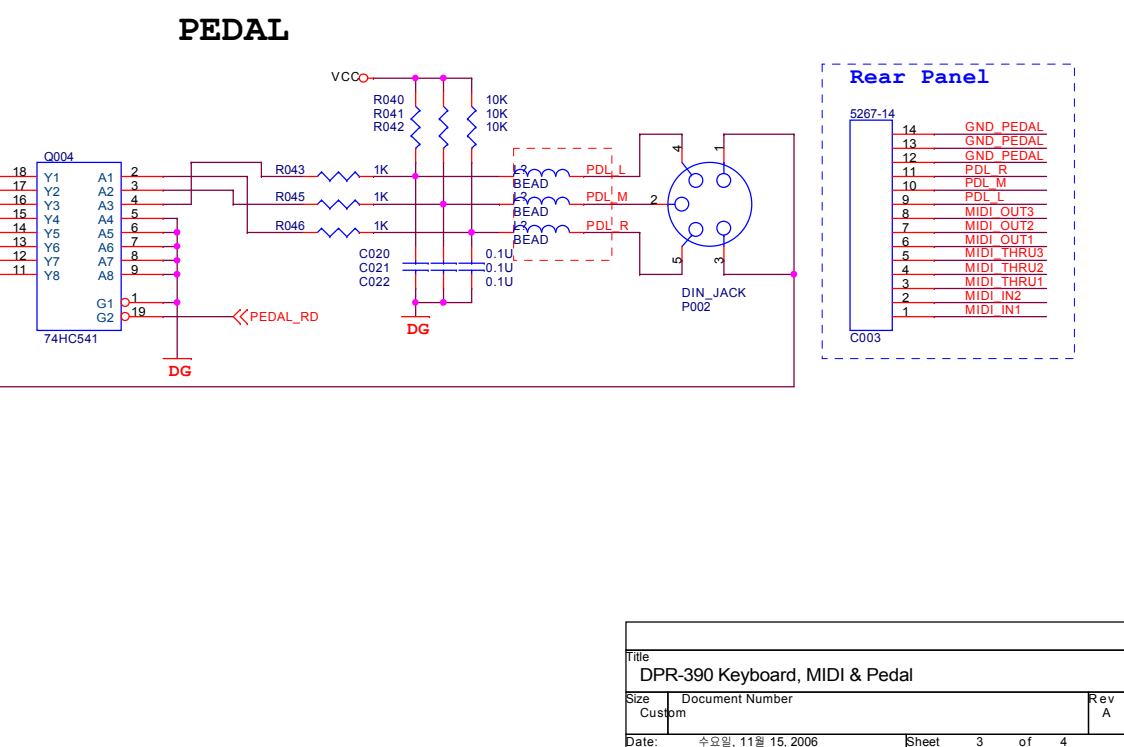
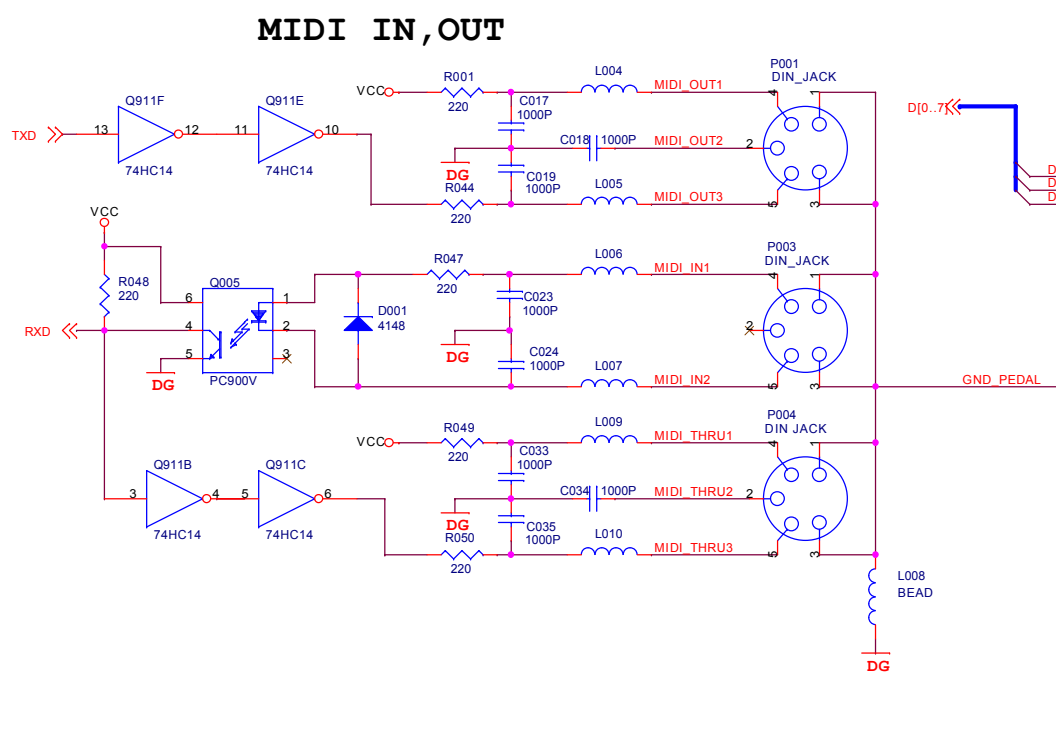
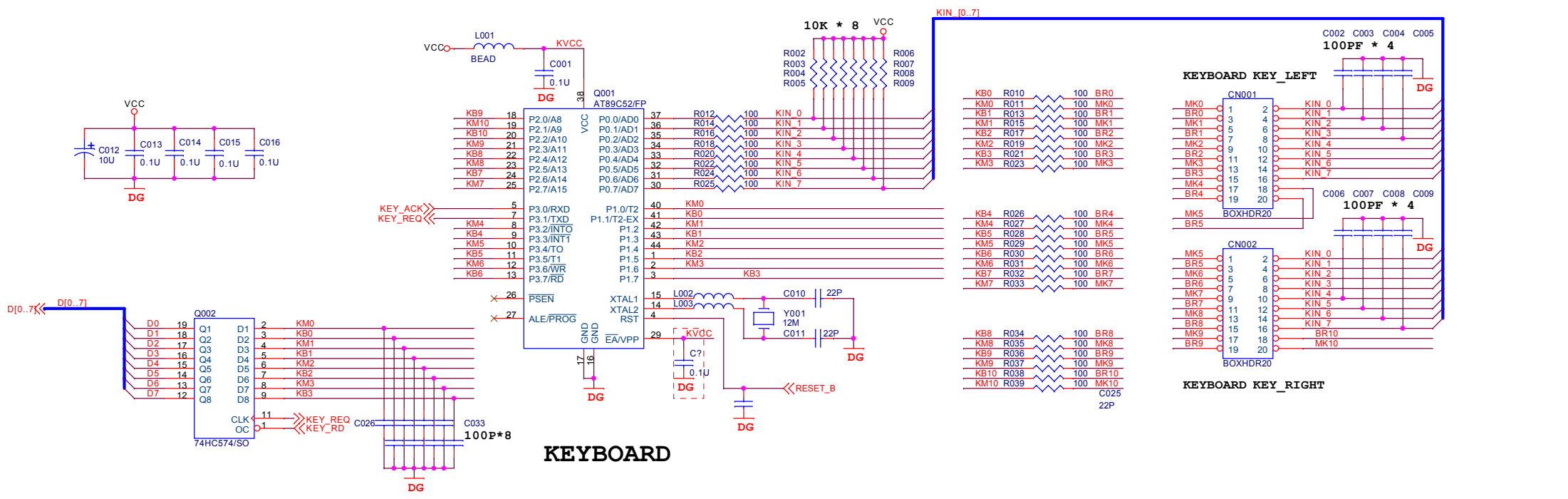
Title DPR-390, Master Control		
Size Custom	Document Number	Rev A
Date:	수요일, 11월 15, 2006	Sheet 1 of 4

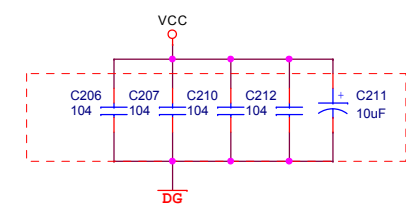
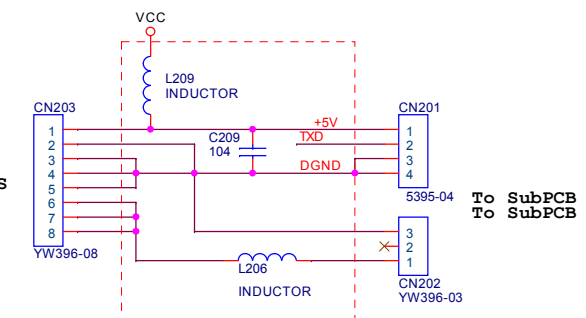
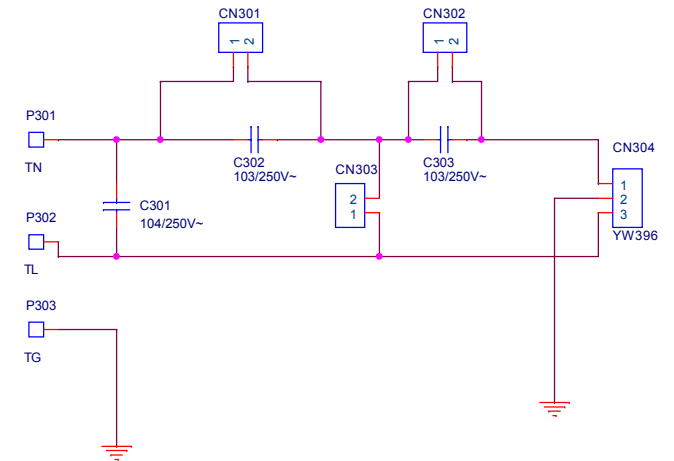
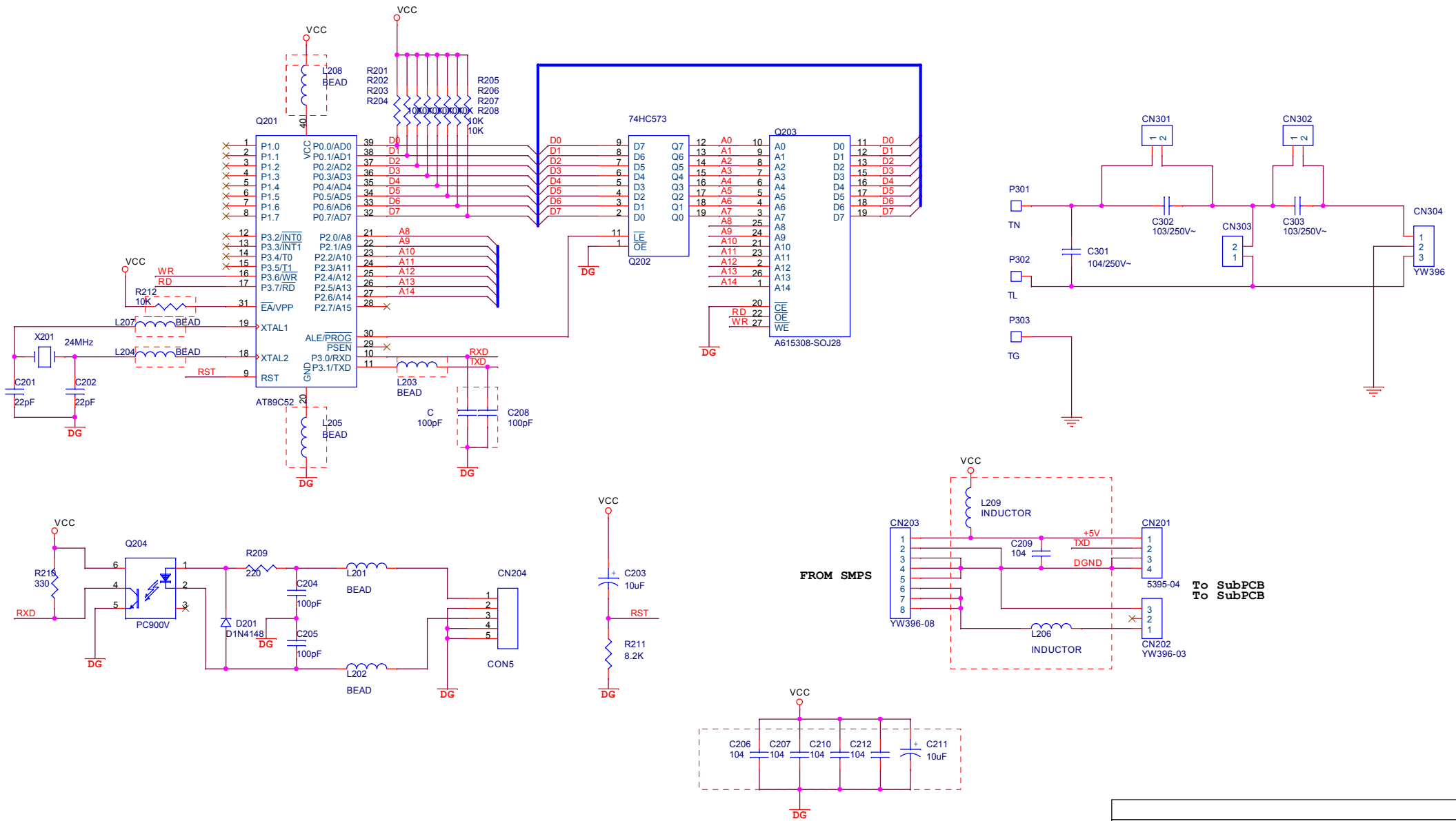


Title		
DPR-396 Console, LED, LCD & USB		
Size	Document Number	Rev
CUSTOM	00000000	<Rev
Date:	수요일, 11월 08, 2006	Sheet 1 of 4

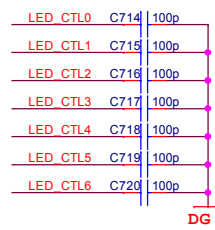
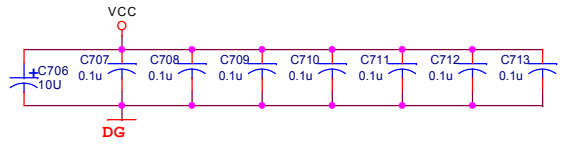
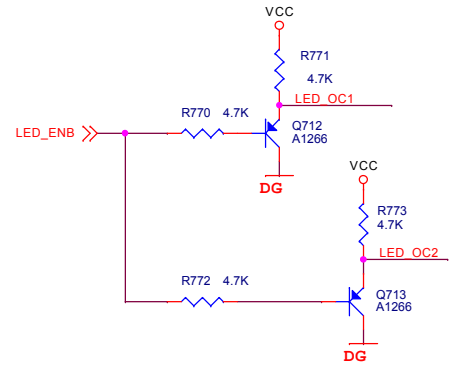
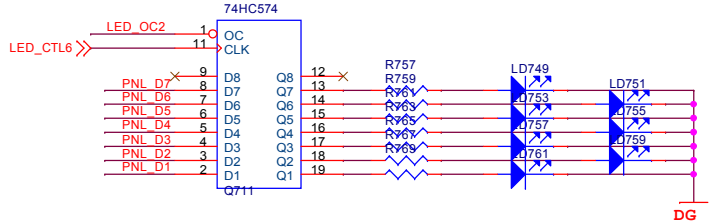
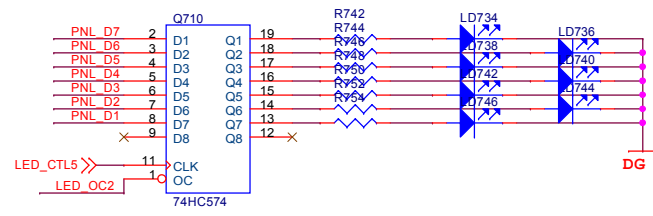
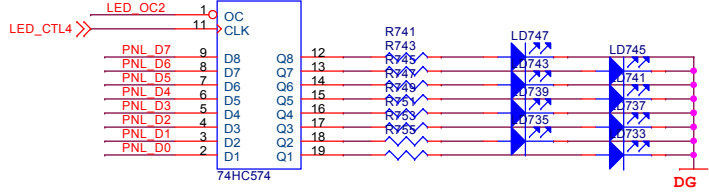
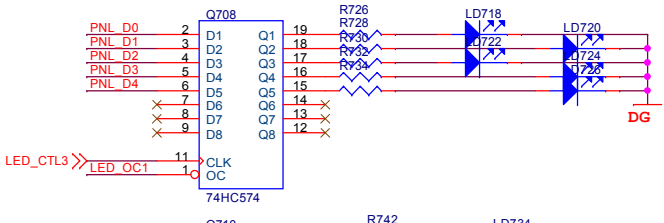
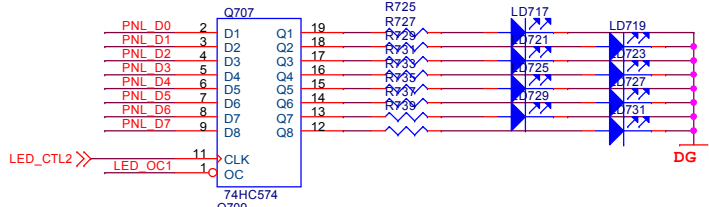
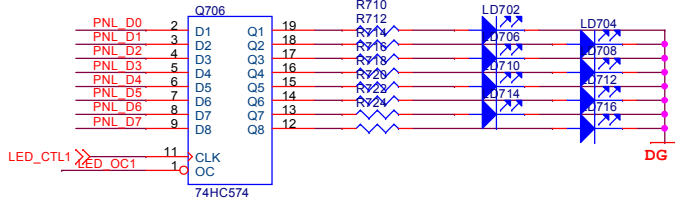
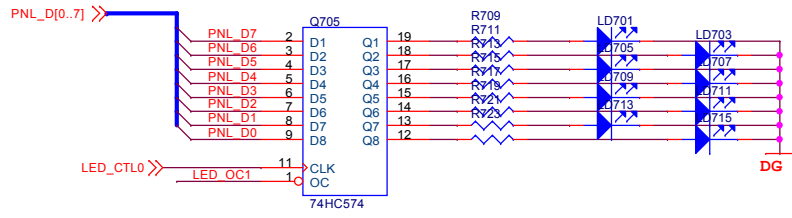


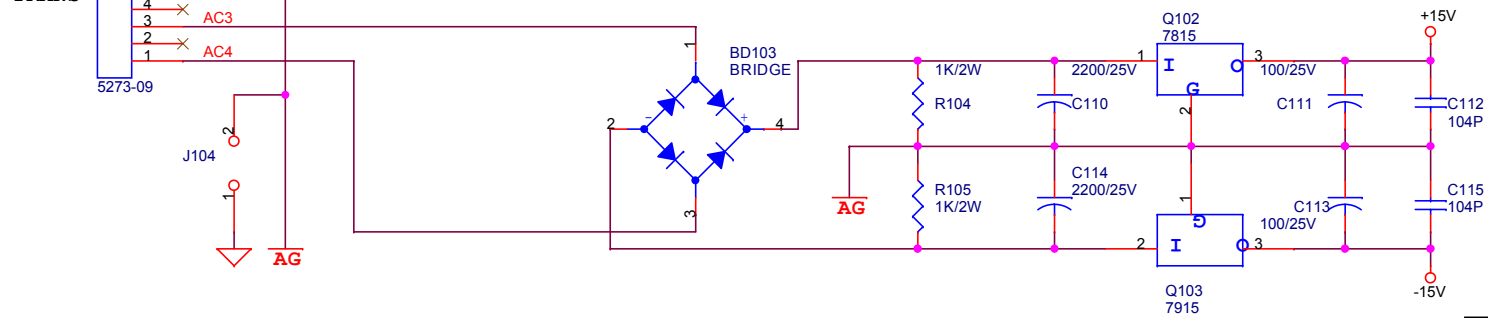
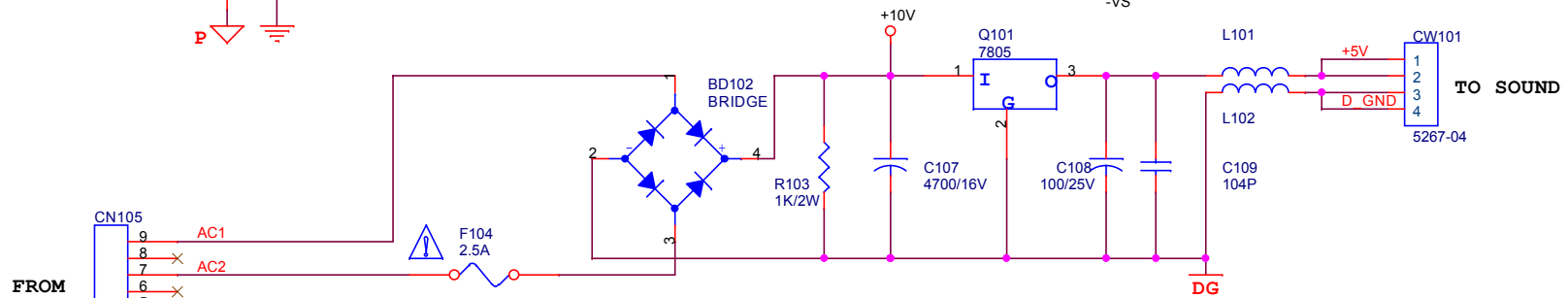
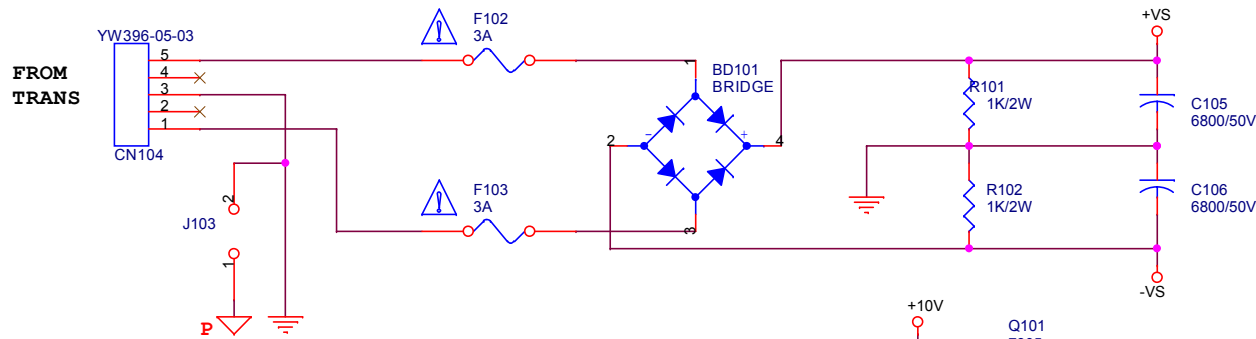
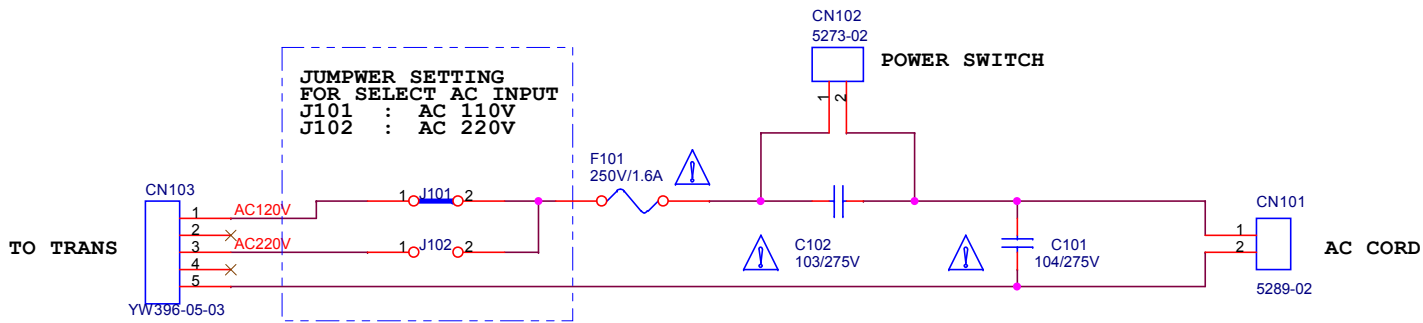
Title		
DPR-390, Sound Generate		
Size	Document Number	Rev
Custom-Doc>		AR
Date:	수요일, 11월 08, 2006	Sheet 4 of 4



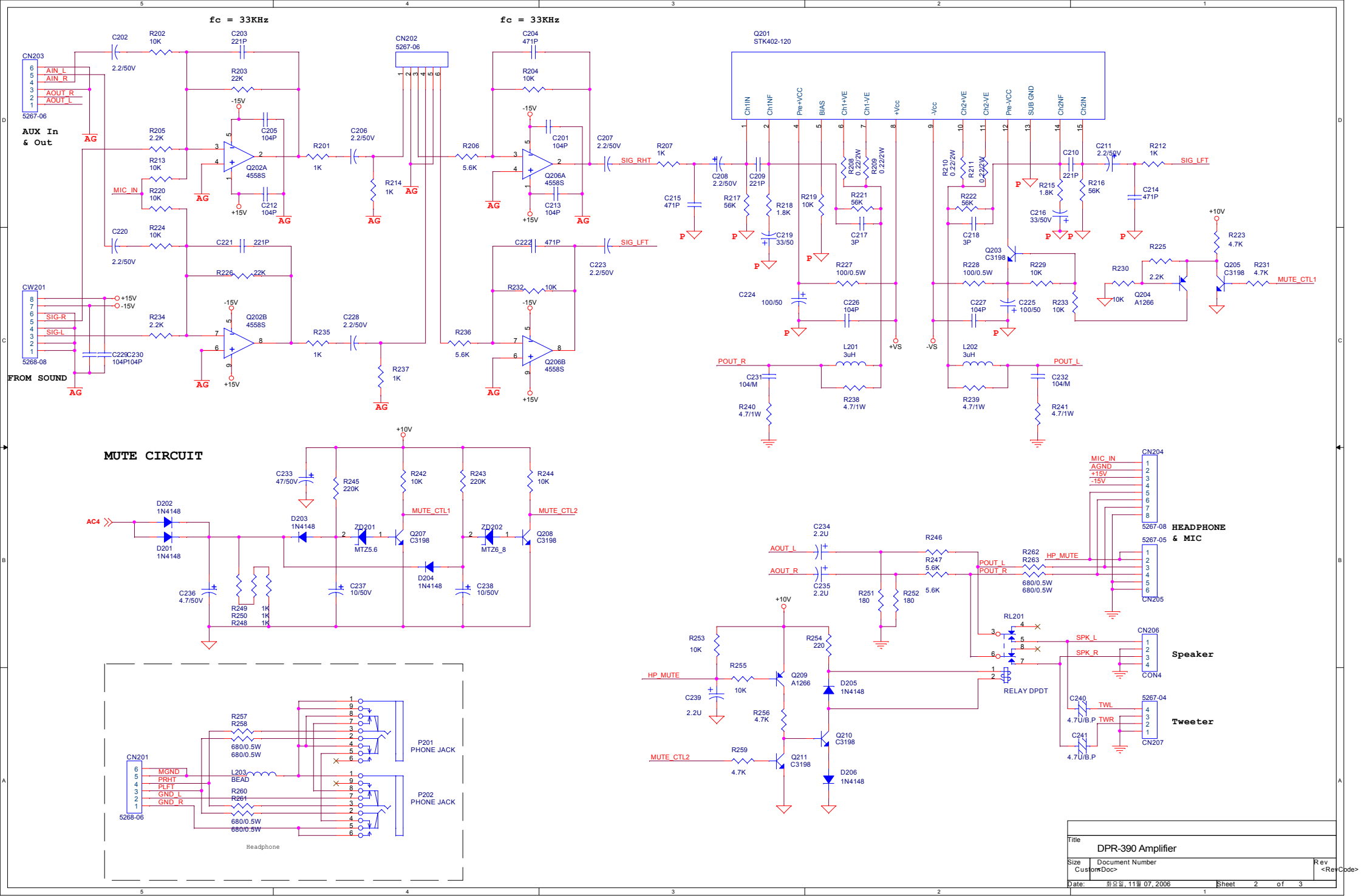


Title		
MOVING KEY MASTER		
Size	Document Number	Rev
B	<Doc>	<RevCode>
Date:	수요일, 11월 08, 2006	Sheet 1 of 1



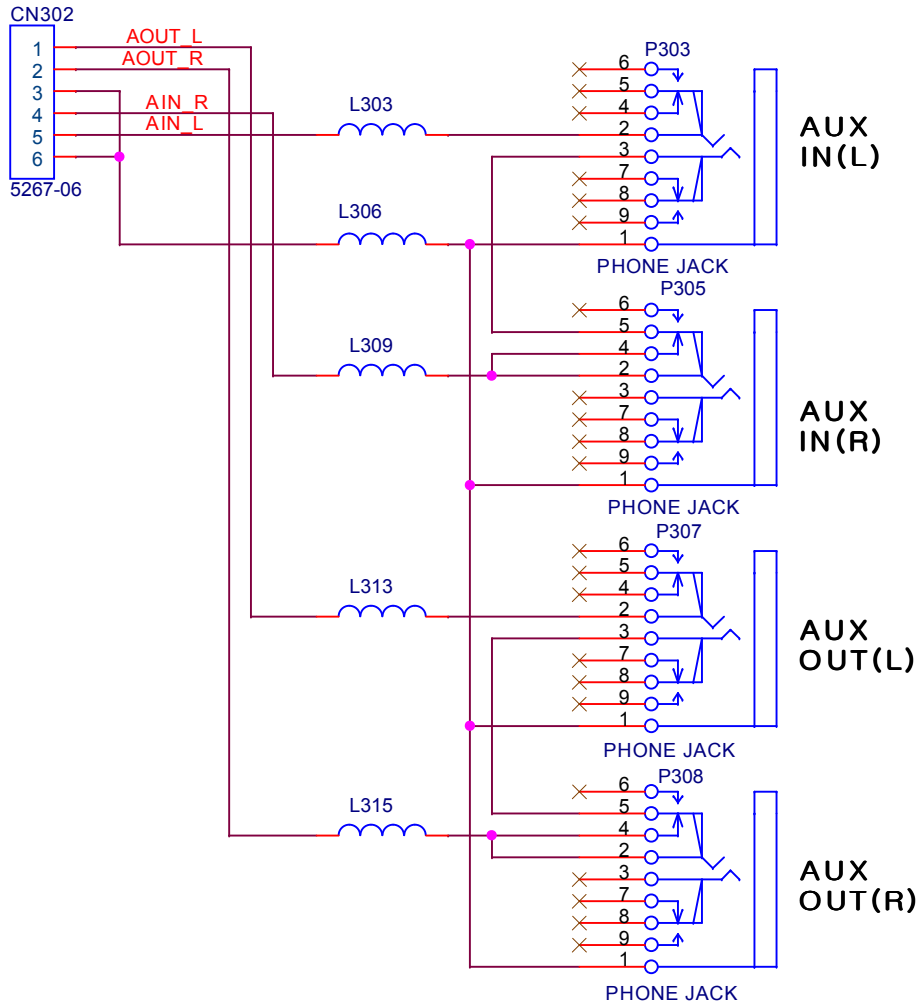


Title		
<Title>		
Size	Document Number	Rev
Custom	*Doc	<Rev Code>
Date:	화요일, 11월 07, 2006	Sheet 1 of 1

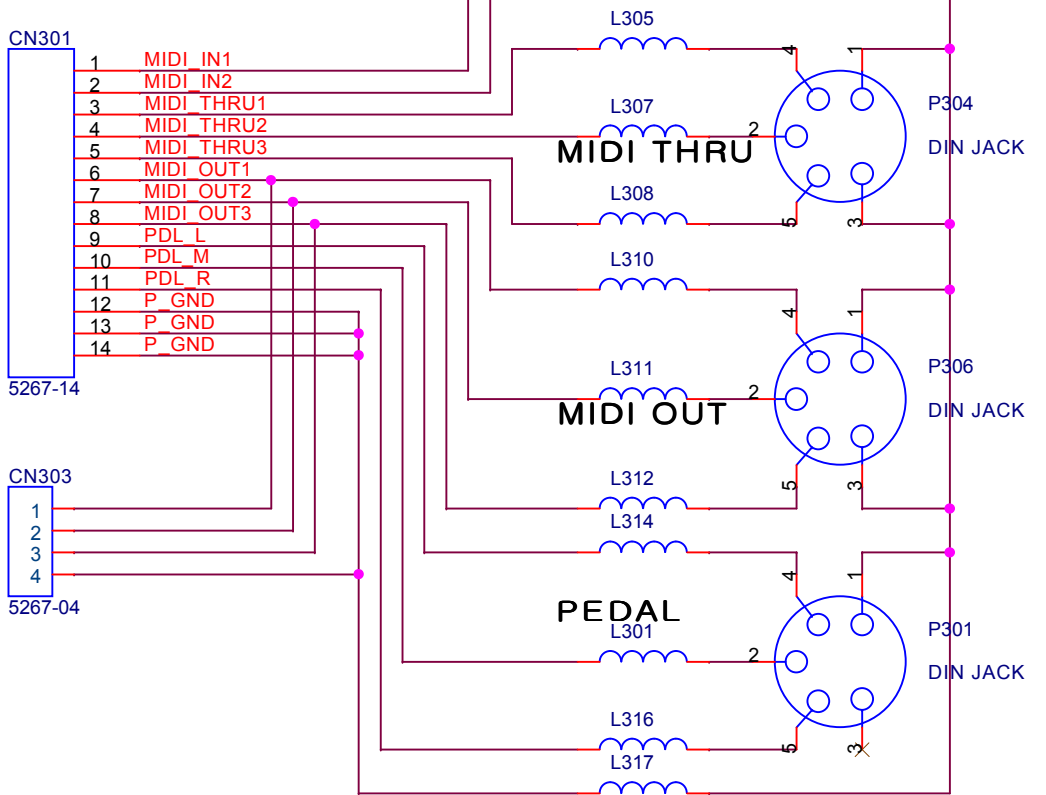


Title		DPR-390 Amplifier	
Size	Custom	Document Number	Rev
Date:	월요일, 11월 07, 2006	Sheet	2 of 3

FROM MAIN



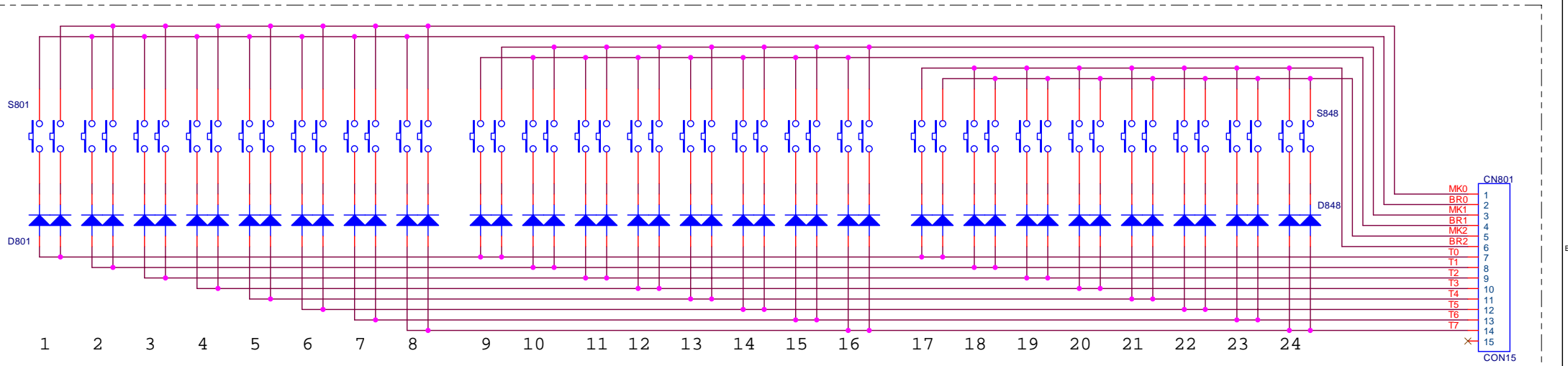
FROM SOUND



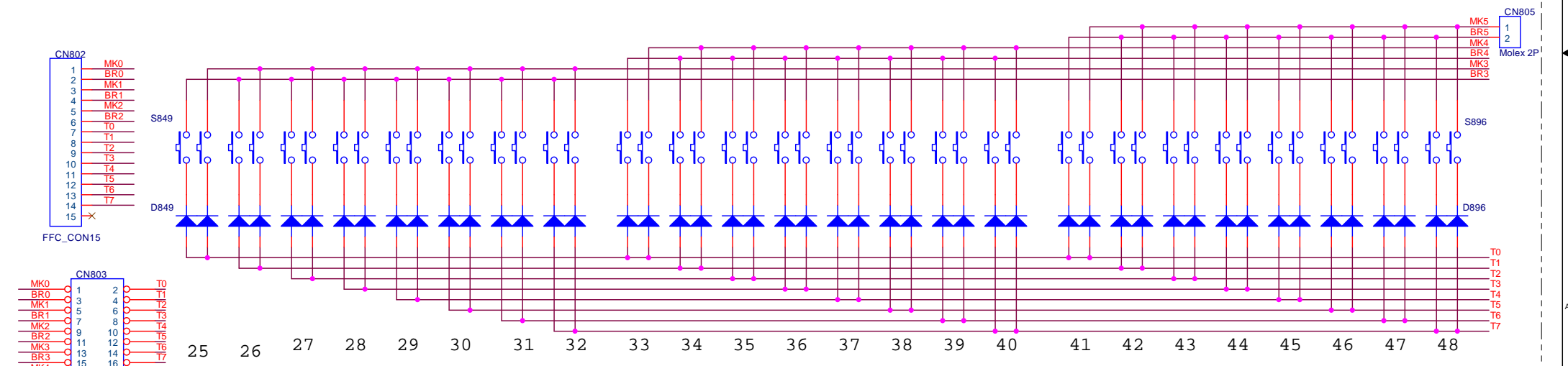
TO KEY MASTER



Title <Title>		
Size A	Document Number <Doc>	Rev <RevCode>
Date: 화요일, 11월 07, 2006	Sheet 1 of 1	

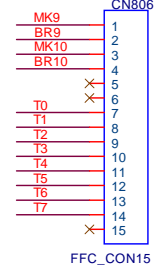
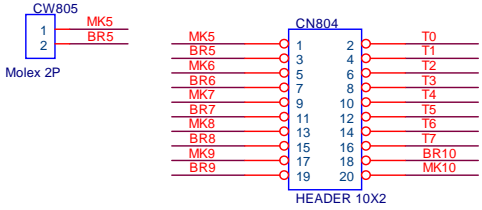
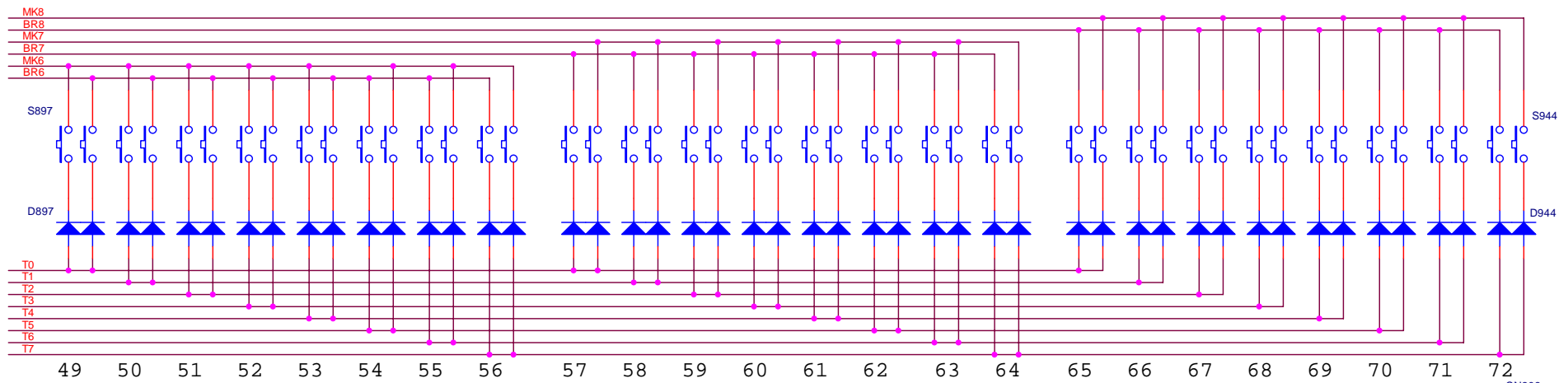


DPK01-1, (KEY1) 11896008



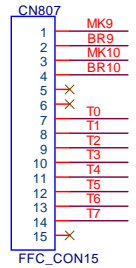
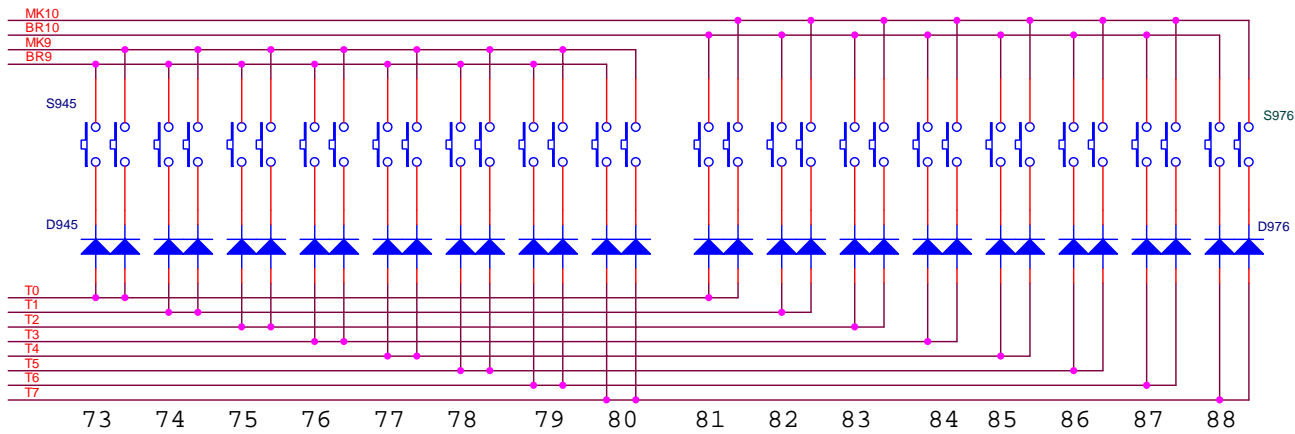
DPK01-2, (KEY2) 11896008

Title		
KEY88DP01(1,2)		
Size	Document Number	Rev
B		A
Date:	월요일, 7월 24, 2006	Sheet 2 of 1



DPK02-1 , (KEY3)

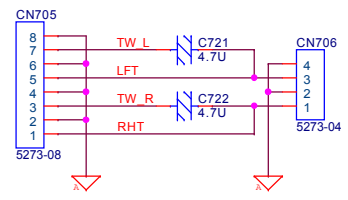
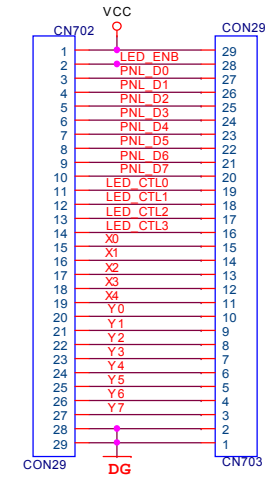
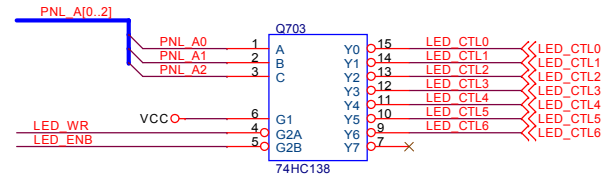
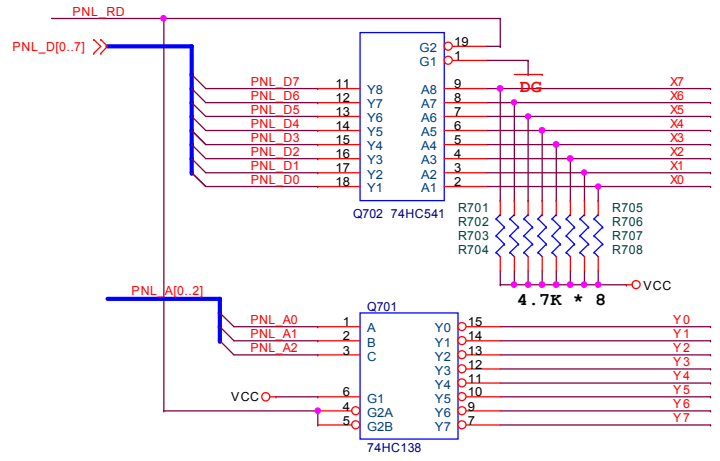
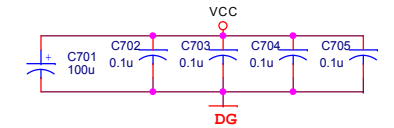
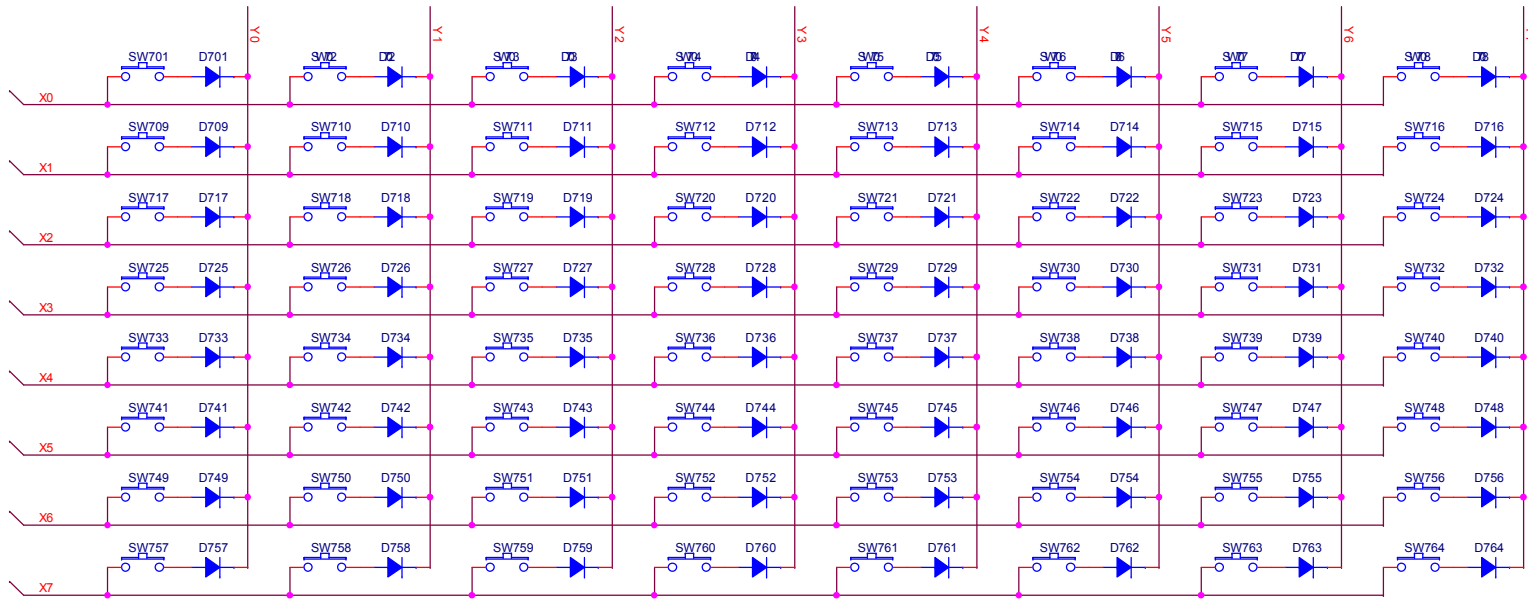
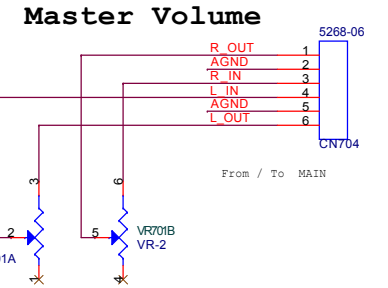
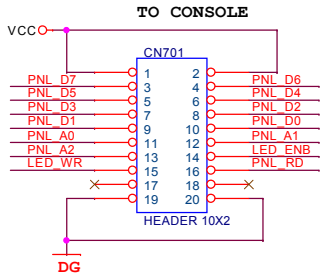
11896009



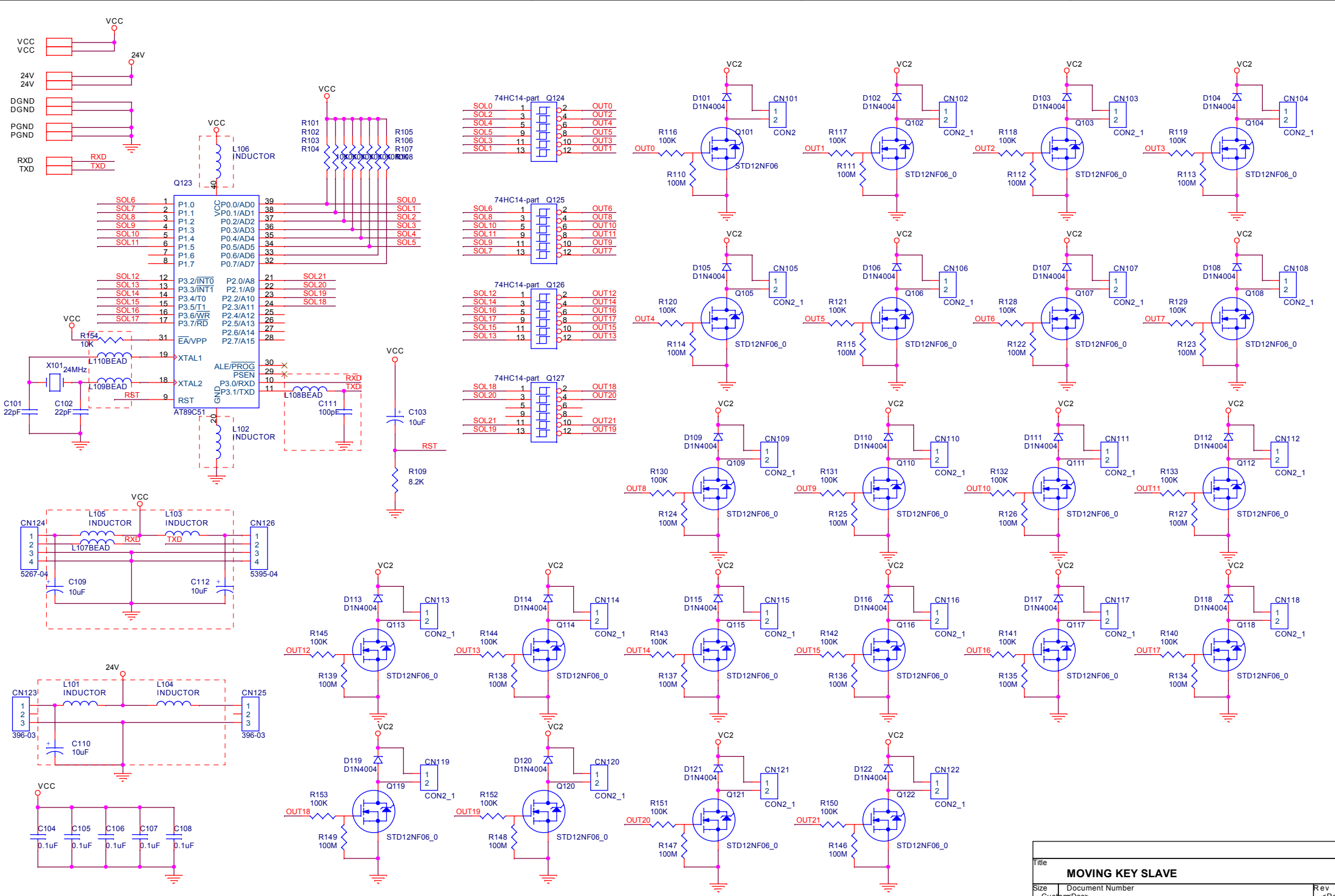
DPK02-2 , (KEY4)

11896009

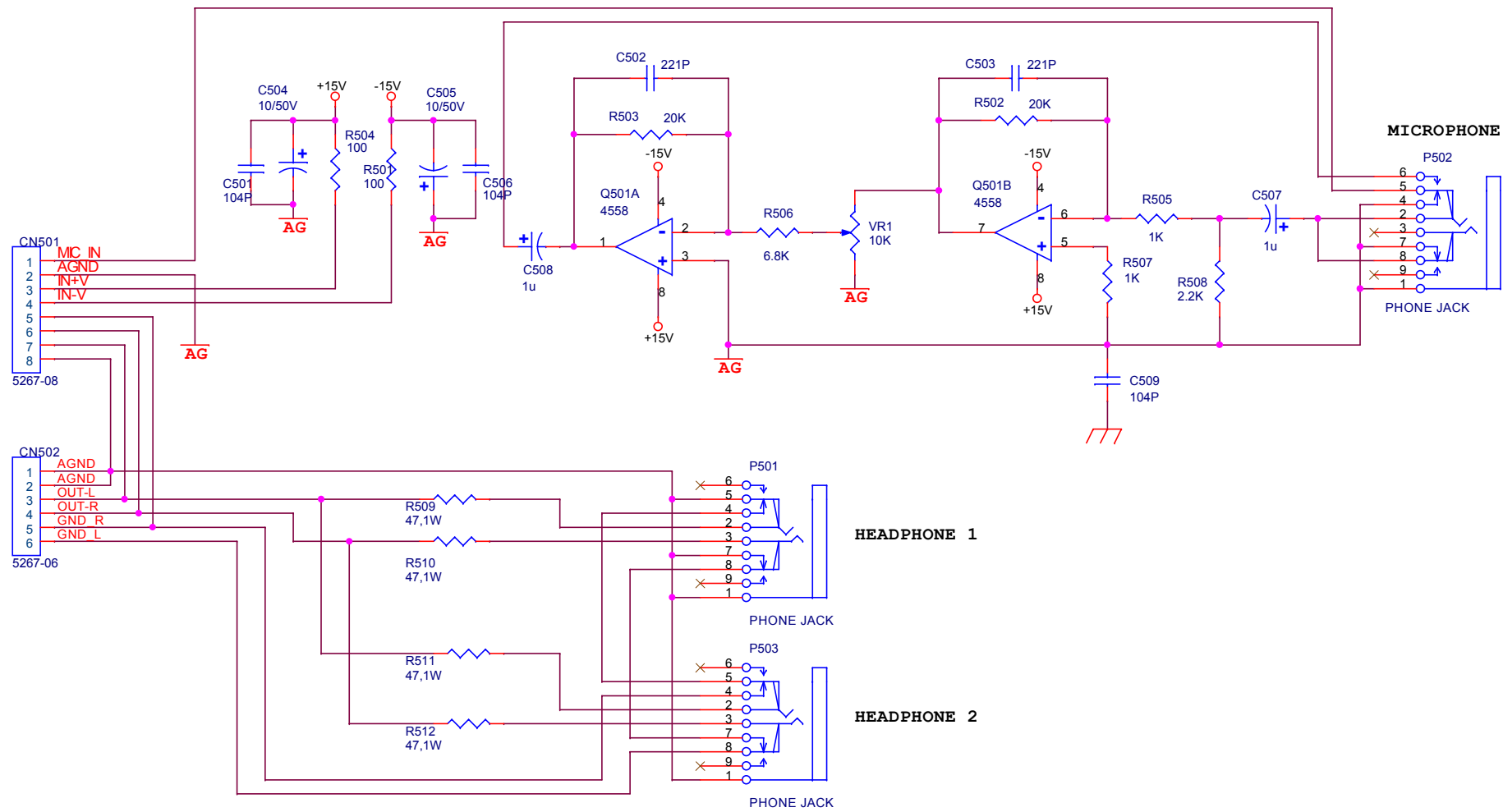
Title		
KEY88DP01(3,4)		
Size	Document Number	Rev
B		A
Date:	월요일, 7월 24, 2006	Sheet 2 of 2



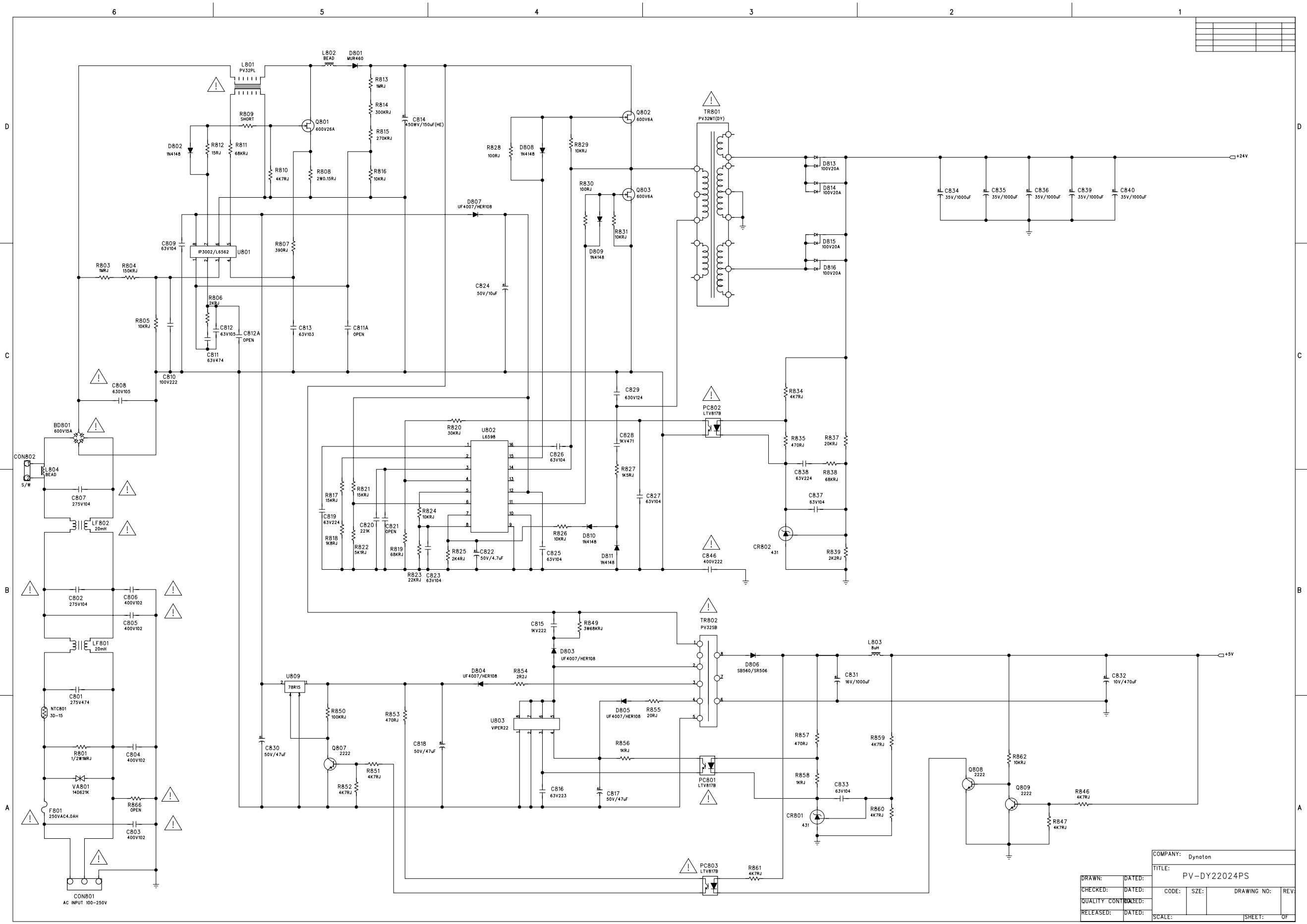
Title		
DPR-390 Console 1		
Size	Document Number	Rev
Custom		A
Date:	화요일, 11월 07, 2006	Sheet 1 of 2



Title		
MOVING KEY SLAVE		
Size	Document Number	Rev
Customr>		<RevC
Date:	수요일, 11월 08, 2006	Sheet 1 of 1

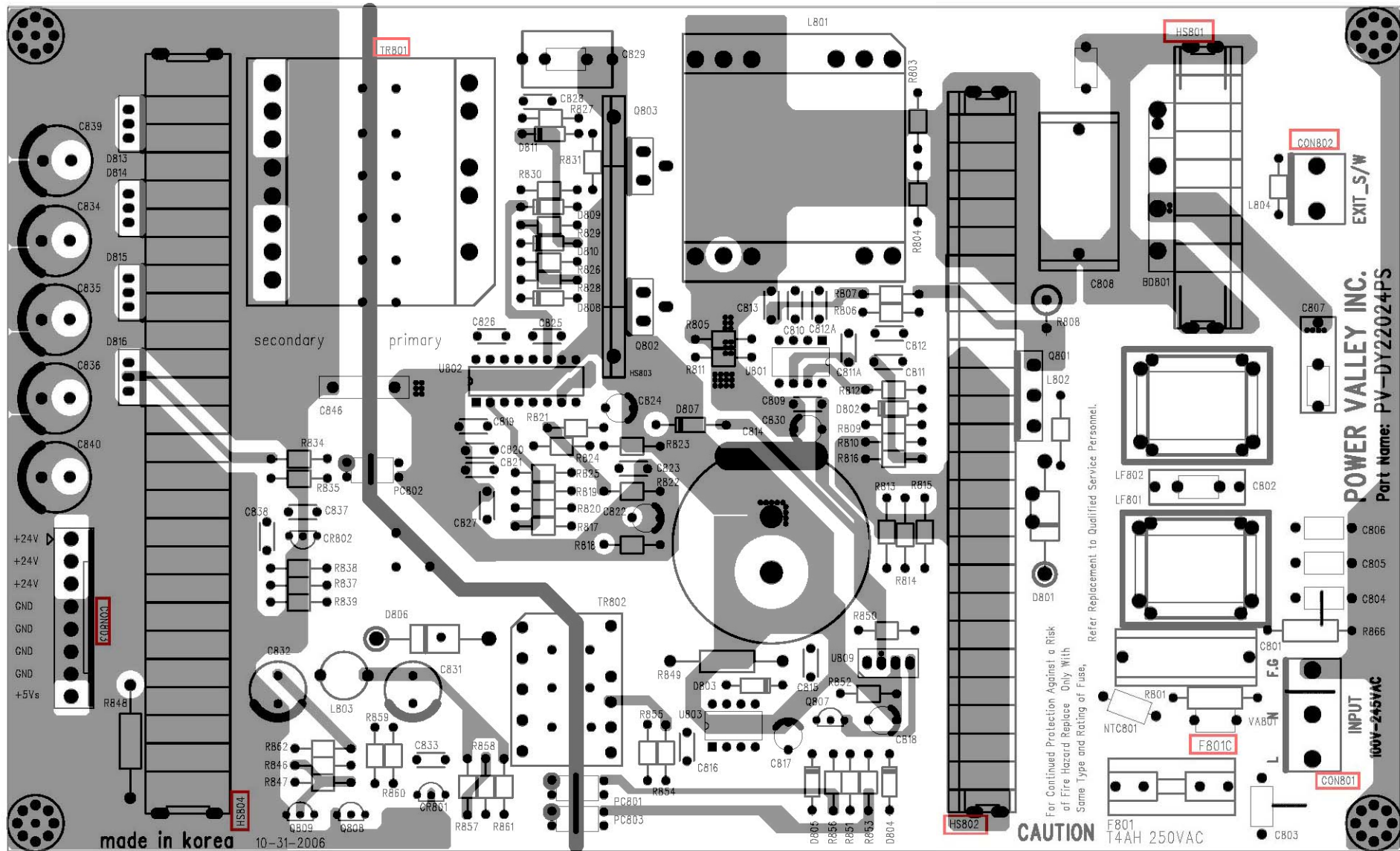


Title		
<Title>		
Size	Document Number	Rev
Custom Doc		<Rev Code>
Date:	화요일, 11월 07, 2006	Sheet 1 of 1



DRAWN:		DATED:		CODE:		SIZE:		DRAWING NO:		REV:	
CHECKED:		DATED:		SCALE:		SHEET:		OF			
RELEASED:		DATED:									

COMPANY: Dynaton
TITLE: PV-DY22024PS



made in korea 10-31-2006

CAUTION
F801
T4AH 250VAC

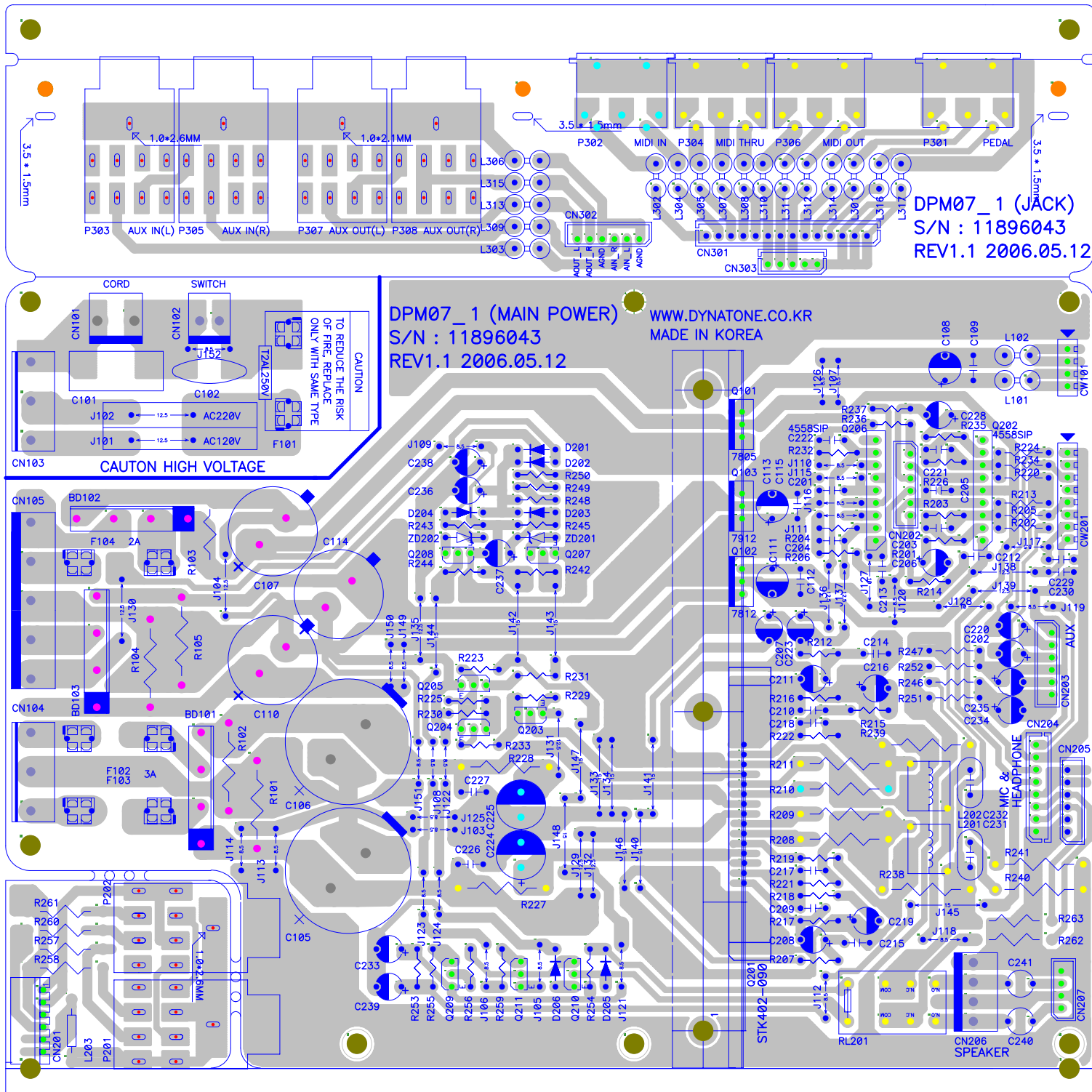
For Continued Protection Against a Risk of Fire Hazard Replace Only With Same Type and Rating of Fuse.

Refer Replacement to Qualified Service Personnel.

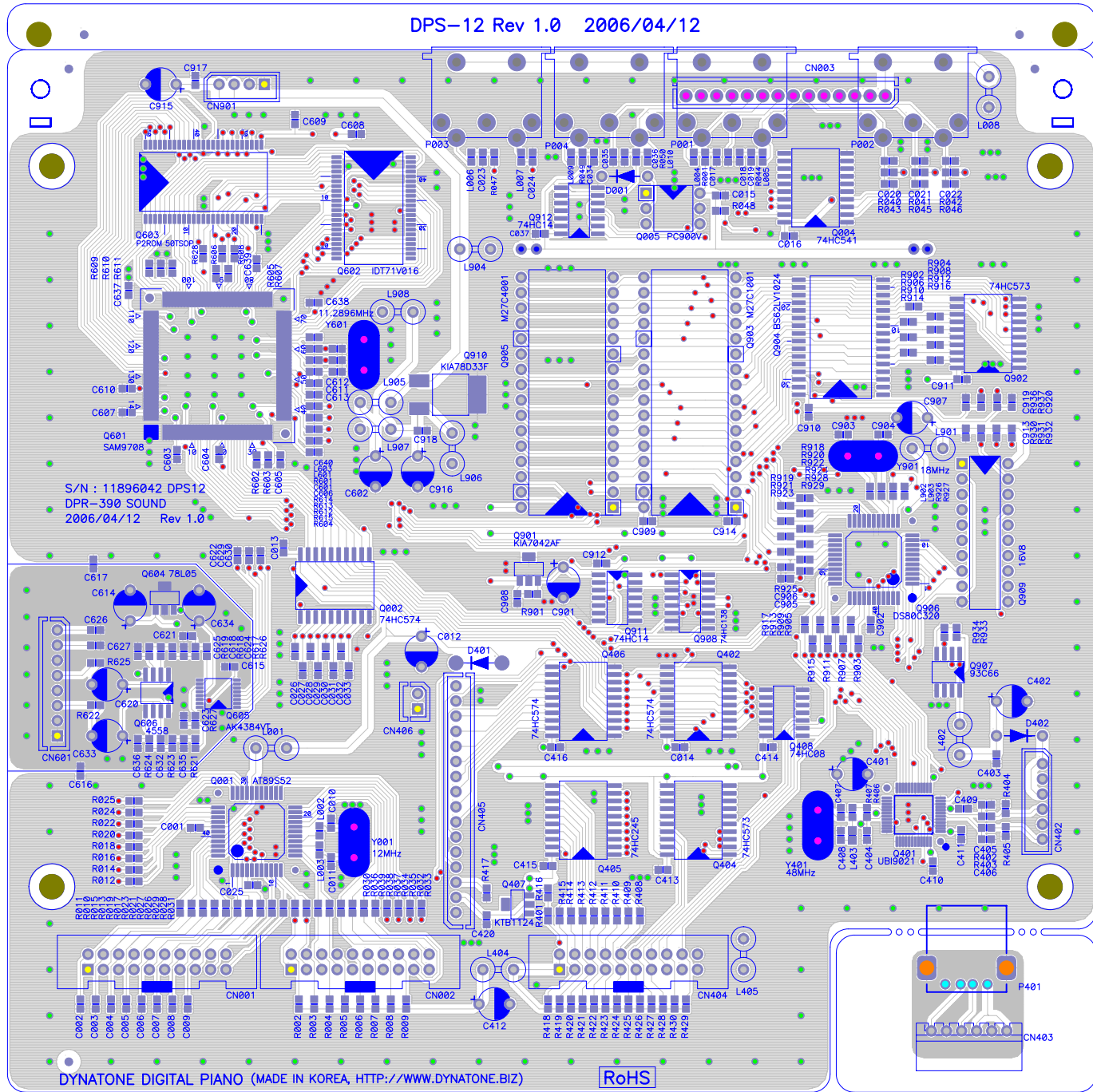
POWER VALLEY INC.
Part Name: PV-DY22024PS

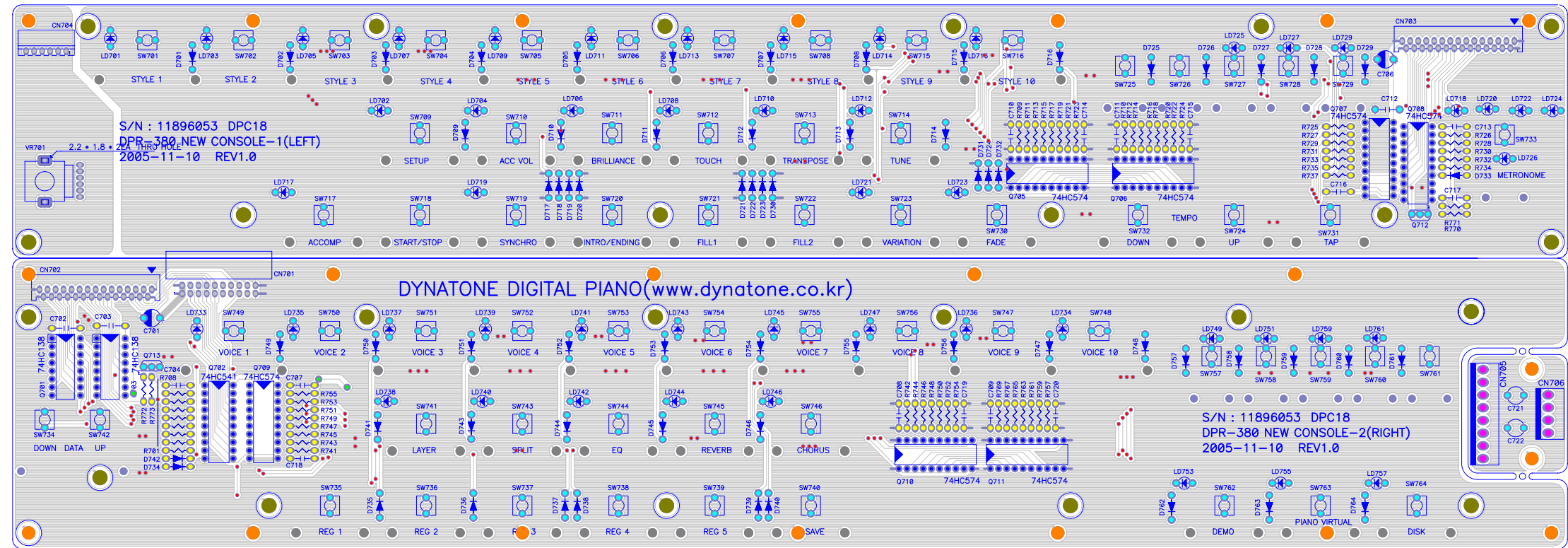
INPUT
100V-245VAC

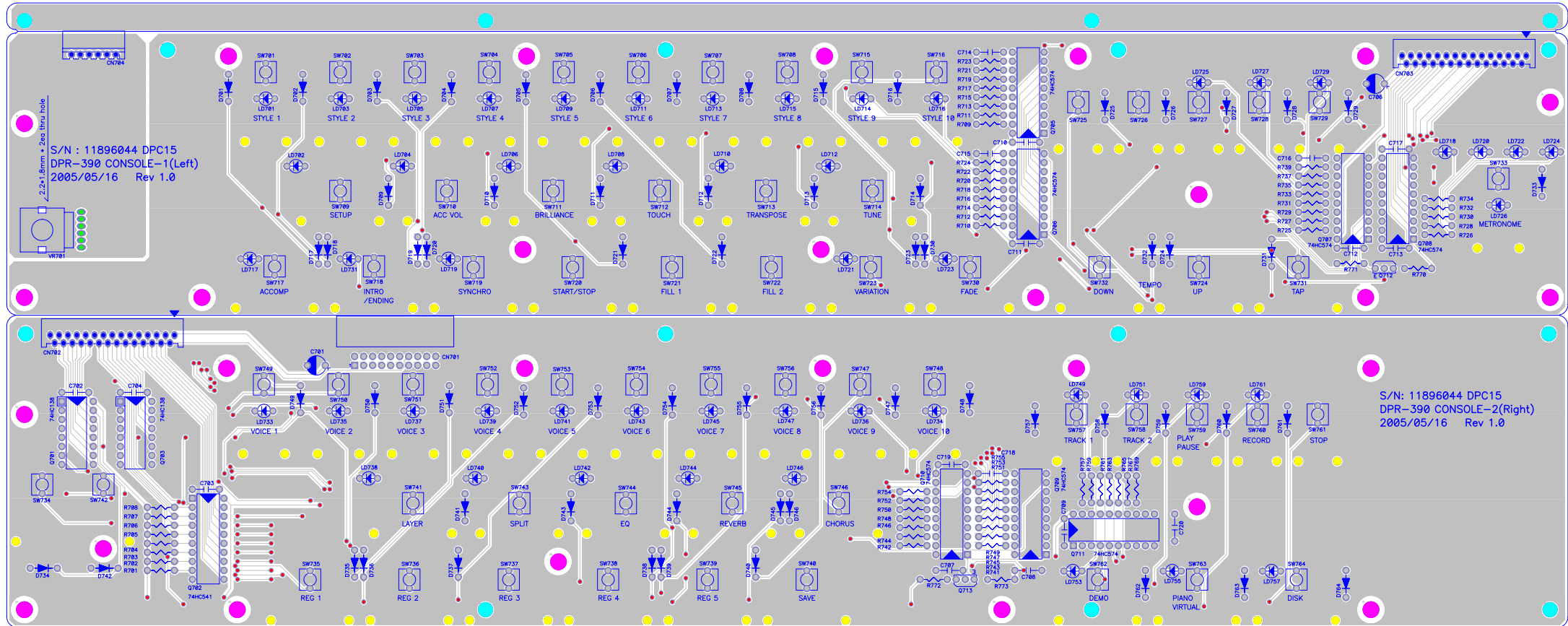
EXIT_S/W

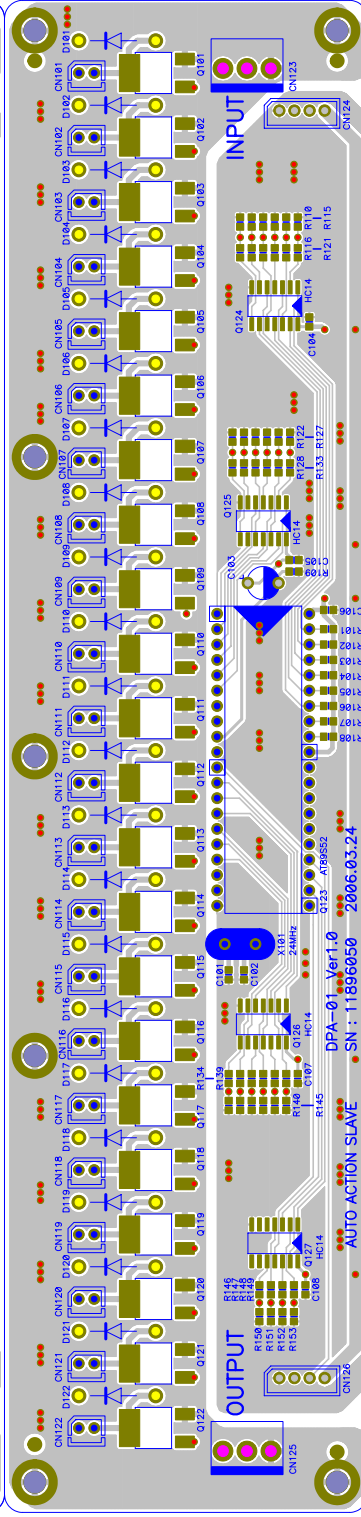
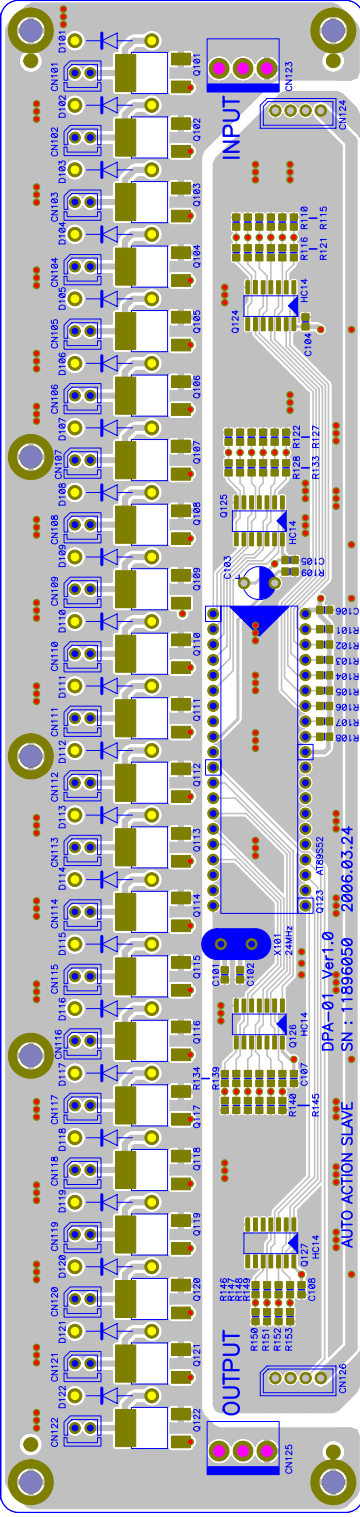
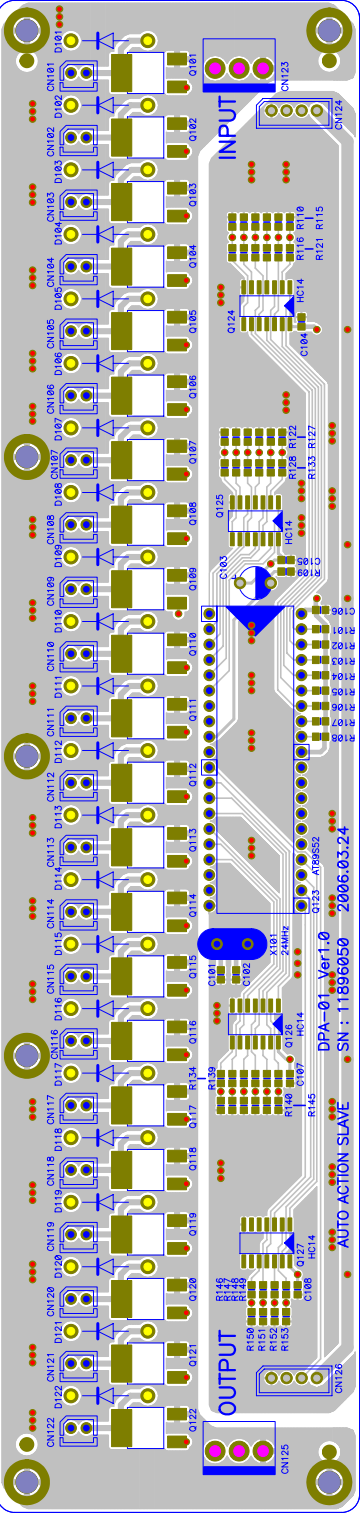
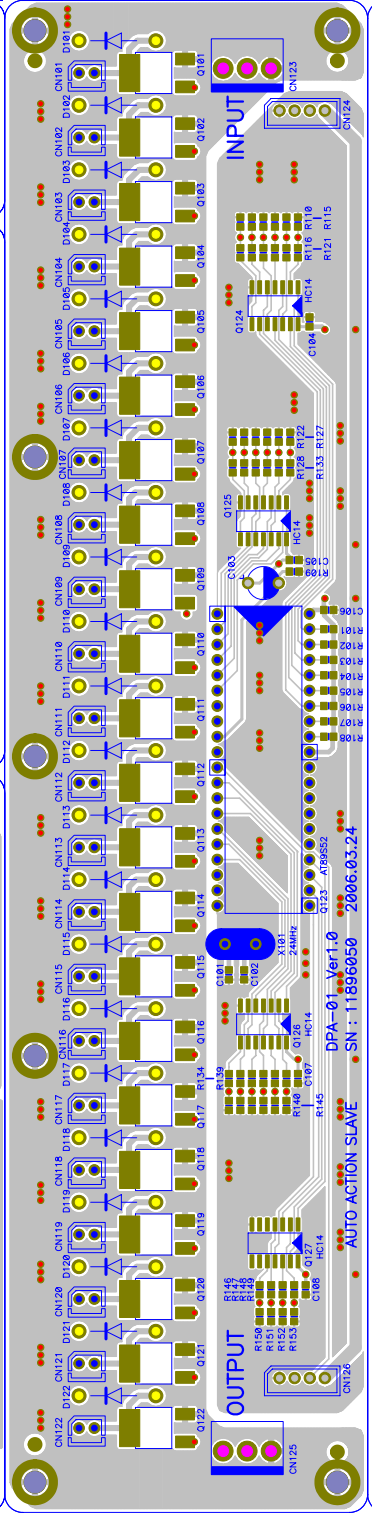
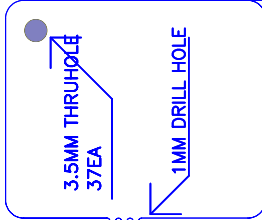
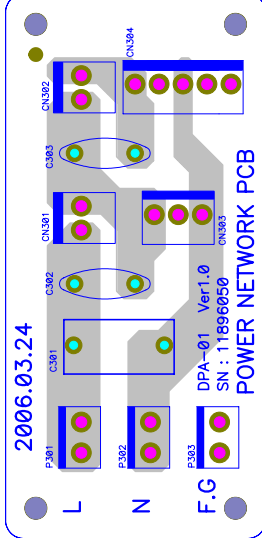
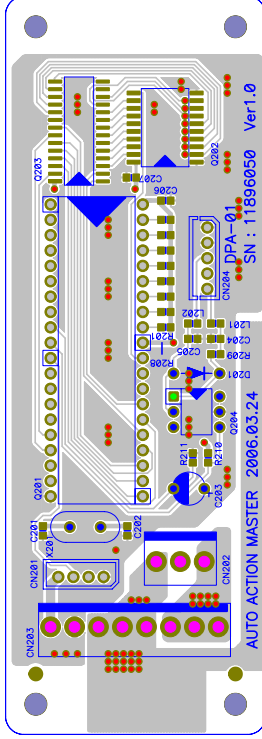


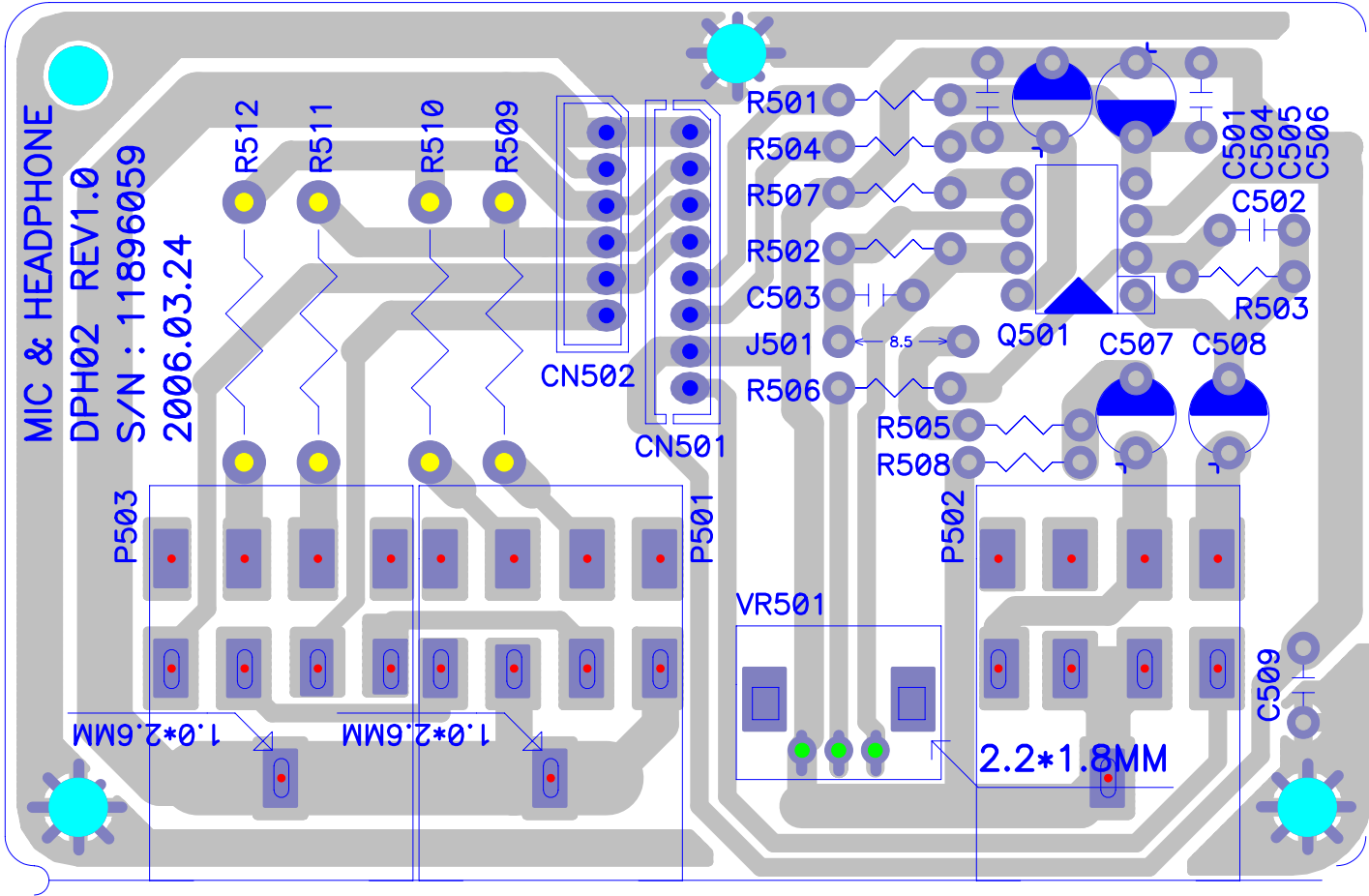
DPS-12 Rev 1.0 2006/04/12











MAIN BOARD PARTS LIST

PART NO	STOCK-NO	DESCRIPTION	UNIT	Q'TY
	150090870	MAIN PCB ASS'Y EMI DPR-390	P	1.00
BD101	11115537	DIODE, BRIDGE 4.0A PBS406G	P	1.00
BD102	11115537	DIODE, BRIDGE 4.0A PBS406G	P	1.00
BD103	11115537	DIODE, BRIDGE 4.0A PBS406G	P	1.00
C105	12086044C	CHEMICAL CONDENSER, 50V/6800MF	P	1.00
C106	12086044C	CHEMICAL CONDENSER, 50V/6800MF	P	1.00
C107	12634472EC	CHEMICAL CONDENSER,25V 4700MF 16*36	P	1.00
C110	12795222T	CHEMICON, 25V 2200MF 85C 16*25	P	1.00
C114	12795222T	CHEMICON, 25V 2200MF 85C 16*25	P	1.00
CN101	11164656	PLUG, YW396-02-03	P	1.00
CN103	11164657	PLUG, YW396-03-05	P	1.00
CN104	11164657	PLUG, YW396-03-05	P	1.00
CN105	11164690	PLUG, LWP-1143-05-09	P	1.00
CN202	11164125	PLUG, 6P 5267-06AX (LWB 0640-06)	P	1.00
CN203	11164125	PLUG, 6P 5267-06AX (LWB 0640-06)	P	1.00
CN204	11164127	PLUG, 8P 5267-08AX (LWB 0640-08)	P	1.00
CN206	11164702	CONNECTOR, 4PIN,3.96MM(FW1143-04)	P	1.00
CN207	11164123	PLUG, 4P 5267-04AX	P	1.00
CN301	11165043	PLUG, 5267-14AXX, LWB0640-14	P	1.00
CN302	11164125	PLUG, 6P 5267-06AX (LWB 0640-06)	P	1.00
CN303	11164124	PLUG, 5P 5267-05AX (LWB 0640-05)	P	1.00
CW101	300424015D	HARNESS, 4P 150MM (5264-5395)	P	1.00
CW201	300820213D	HARNESS,MOLEX 5264/5395-8 130MM	P	1.00
F101A	11144179	FUSE, 250V 2A 218 5*20MM CE	P	1.00
F102A	11144195	FUSE, 250V 3A 5*20MM UL	P	1.00
F103A	11144195	FUSE, 250V 3A 5*20MM UL	P	1.00
F104A	11144179	FUSE, 250V 2A 218 5*20MM CE	P	1.00
I201Z	150520046	HEAT SINK ASS'Y KIA7805P,STK402-090	P	1.00
I201A	11865465A	HEAT SINK, DP88A930	P	1.00
I201B	11032391	SCREW, TTB 3*16 SZN	P	2.00
I201C	11032381	SCREW, TTB 3*8 SZN	P	6.00
I201D	11971010	COMPOUND SILICON, YG6260	G	0.05
Q101	11119282	IC, REGU. 1[A] KIA7805PI(7805API)	P	1.00
Q102	11119223	IC, REGU. 1[A] KIA7812PI(7812API)	P	1.00
Q103	11119910	IC, KA7912 T0-220	P	1.00
Q201	11118272	IC,STK402-090 AUDIO(50W+50W)SANYO	P	1.00
L201	11251057	SPRING COIL, 0.8 0.7MH 15MM	P	1.00
L202	11251057	SPRING COIL, 0.8 0.7MH 15MM	P	1.00
N110	11961025	SOLDER WIRE, 63SN 3.0MM	G	200.00
N111	11961020	FLUX, JS-64T-3	G	200.00
N112	11964033	SOLVENT, IPA4520	G	5.00
P301	11163125	DIN JACK,PRO STAR KJ-5-W/O	P	1.00
P302	11163125	DIN JACK,PRO STAR KI-5-W/O	P	1.00
P303	11163120	PHONE JACK, HTJ-064-04B, MOLD	P	1.00
P304	11163125	DIN JACK,PRO STAR KI-5-W/O	P	1.00
P305	11163120	PHONE JACK, HTJ-064-04B, MOLD	P	1.00
P306	11163125	DIN JACK,PRO STAR KI-5-W/O	P	1.00
P307	11163120	PHONE JACK, HTJ-064-04B, MOLD	P	1.00
P308	11163120	PHONE JACK, HTJ-064-04B, MOLD	P	1.00
Q202	11119954	IC, KIA4558S OP SMP	P	1.00
Q206	11119954	IC, KIA4558S OP SMP	P	1.00
R101	12323102S	OXIDE RESISTOR, B 2W 1K OHM J	P	1.00
R102	12323102S	OXIDE RESISTOR, B 2W 1K OHM J	P	1.00
R103	12323102S	OXIDE RESISTOR, B 2W 1K OHM J	P	1.00
R104	12323102S	OXIDE RESISTOR, B 2W 1K OHM J	P	1.00
R105	12323102S	OXIDE RESISTOR, B 2W 1K OHM J	P	1.00
R208	12323228S	OXIDE RESISTOR, B 2W 0.22 OHM J	P	1.00

R209	12323228S	OXIDE RESISTOR, B 2W 0.22 OHM J	P	1.00
R210	12323228S	OXIDE RESISTOR, B 2W 0.22 OHM J	P	1.00
R211	12323228S	OXIDE RESISTOR, B 2W 0.22 OHM J	P	1.00
RL201	11145280	RELAY, CY-12V	P	1.00
A002U	150190798	MAIN, AUTO POWER & AMP DPR-390	P	1.00
C108	12795101TC	CHEMICON, 25V 100MF 85C 6.3*11	P	1.00
C109	12232104T	CERAMIC CAPACITOR, F 50V 0.1MF Z	P	1.00
C111	12795101TC	CHEMICON, 25V 100MF 85C 6.3*11	P	1.00
C112	12232104T	CERAMIC CAPACITOR, F 50V 0.1MF Z	P	1.00
C113	12795101TC	CHEMICON, 25V 100MF 85C 6.3*11	P	1.00
C115	12232104T	CERAMIC CAPACITOR, F 50V 0.1MF Z	P	1.00
C201	12232104T	CERAMIC CAPACITOR, F 50V 0.1MF Z	P	1.00
C202	12797229TC	CHEMICON, 50V 2.2MF 85C 5*11	P	1.00
C203	12353221T	CERAMIC CAPACITOR, CH 50V 220PF J	P	1.00
C204	12212471T	CERAMIC CAPACITOR, B 50V 470PF K	P	1.00
C205	12232104T	CERAMIC CAPACITOR, F 50V 0.1MF Z	P	1.00
C206	12797229TC	CHEMICON, 50V 2.2MF 85C 5*11	P	1.00
C207	12797229TC	CHEMICON, 50V 2.2MF 85C 5*11	P	1.00
C208	12797229TC	CHEMICON, 50V 2.2MF 85C 5*11	P	1.00
C209	12353221T	CERAMIC CAPACITOR, CH 50V 220PF J	P	1.00
C210	12353221T	CERAMIC CAPACITOR, CH 50V 220PF J	P	1.00
C211	12797229TC	CHEMICON, 50V 2.2MF 85C 5*11	P	1.00
C212	12232104T	CERAMIC CAPACITOR, F 50V 0.1MF Z	P	1.00
C213	12232104T	CERAMIC CAPACITOR, F 50V 0.1MF Z	P	1.00
C214	12212471T	CERAMIC CAPACITOR, B 50V 470PF K	P	1.00
C215	12212471T	CERAMIC CAPACITOR, B 50V 470PF K	P	1.00
C216	12797330T	CHEMICON, 50V 33MF 85C 5*11	P	1.00
C217	12353030T	CERAMIC CAPACITOR, CH 50V 3PF C	P	1.00
C218	12353030T	CERAMIC CAPACITOR, CH 50V 3PF C	P	1.00
C219	12797330T	CHEMICON, 50V 33MF 85C 5*11	P	1.00
C220	12797229TC	CHEMICON, 50V 2.2MF 85C 5*11	P	1.00
C221	12353221T	CERAMIC CAPACITOR, CH 50V 220PF J	P	1.00
C222	12212471T	CERAMIC CAPACITOR, B 50V 470PF K	P	1.00
C223	12797229TC	CHEMICON, 50V 2.2MF 85C 5*11	P	1.00
C224	12797101T	CHEMICON, 50V 100MF 85C 8*12	P	1.00
C225	12797101T	CHEMICON, 50V 100MF 85C 8*12	P	1.00
C226	12232104T	CERAMIC CAPACITOR, F 50V 0.1MF Z	P	1.00
C227	12232104T	CERAMIC CAPACITOR, F 50V 0.1MF Z	P	1.00
C228	12797229TC	CHEMICON, 50V 2.2MF 85C 5*11	P	1.00
C229	12232104T	CERAMIC CAPACITOR, F 50V 0.1MF Z	P	1.00
C230	12232104T	CERAMIC CAPACITOR, F 50V 0.1MF Z	P	1.00
C231	12692104T	PLASTIC CAPACITOR, M 50V 0.1MF J	P	1.00
C232	12692104T	PLASTIC CAPACITOR, M 50V 0.1MF J	P	1.00
C233	12797470T	CHEMICON, 50V 47MF 85C 6.3*11	P	1.00
C234	12797229TC	CHEMICON, 50V 2.2MF 85C 5*11	P	1.00
C235	12797229TC	CHEMICON, 50V 2.2MF 85C 5*11	P	1.00
C236	12797479T	CHEMICON, 50V 4.7MF 85C 5*11	P	1.00
C237	12797100TC	CHEMICON, 50V 10MF 85C 5*11	P	1.00
C238	12797100TC	CHEMICON, 50V 10MF 85C 5*11	P	1.00
C239	12797229TC	CHEMICON, 50V 2.2MF 85C 5*11	P	1.00
C240	12085043T	CHEMICON,SMS BP 50V 4.7MF M (5*11)	P	1.00
C241	12085043T	CHEMICON,SMS BP 50V 4.7MF M (5*11)	P	1.00
F101	11165037T	HOLDER, FUSE 5.2 (TAPPING)	P	2.00
F102	11165037T	HOLDER, FUSE 5.2 (TAPPING)	P	2.00
F103	11165037T	HOLDER, FUSE 5.2 (TAPPING)	P	2.00
F104	11165037T	HOLDER, FUSE 5.2 (TAPPING)	P	2.00
L101	11103049T	BEAD CORE, BFD3550R2F	P	1.00
L102	11103049T	BEAD CORE, BFD3550R2F	P	1.00
L301	11103049T	BEAD CORE, BFD3550R2F	P	1.00
L302	11103049T	BEAD CORE, BFD3550R2F	P	1.00

L303	11103049T	BEAD CORE, BFD3550R2F	P	1.00
L304	11103049T	BEAD CORE, BFD3550R2F	P	1.00
L305	11103049T	BEAD CORE, BFD3550R2F	P	1.00
L306	11103049T	BEAD CORE, BFD3550R2F	P	1.00
L307	11103049T	BEAD CORE, BFD3550R2F	P	1.00
L308	11103049T	BEAD CORE, BFD3550R2F	P	1.00
L309	11103049T	BEAD CORE, BFD3550R2F	P	1.00
L310	11103049T	BEAD CORE, BFD3550R2F	P	1.00
L311	11103049T	BEAD CORE, BFD3550R2F	P	1.00
L312	11103049T	BEAD CORE, BFD3550R2F	P	1.00
L313	11103049T	BEAD CORE, BFD3550R2F	P	1.00
L314	11103049T	BEAD CORE, BFD3550R2F	P	1.00
L315	11103049T	BEAD CORE, BFD3550R2F	P	1.00
L316	11103049T	BEAD CORE, BFD3550R2F	P	1.00
L317	11103049T	BEAD CORE, BFD3550R2F	P	1.00
Q203	11114056T	TR, KTC1815-Y (KTC3198-Y)	P	1.00
Q204	11114049T	TR, KTA1015-Y (KTA1266-Y)	P	1.00
Q205	11114056T	TR, KTC1815-Y (KTC3198-Y)	P	1.00
Q207	11114056T	TR, KTC1815-Y (KTC3198-Y)	P	1.00
Q208	11114056T	TR, KTC1815-Y (KTC3198-Y)	P	1.00
Q209	11114049T	TR, KTA1015-Y (KTA1266-Y)	P	1.00
Q210	11114056T	TR, KTC1815-Y (KTC3198-Y)	P	1.00
Q211	11114056T	TR, KTC1815-Y (KTC3198-Y)	P	1.00
A002A	150290758	MAIN, AXIAL POWER & AMP DPR-390	P	1.00
D201	11115024T	SILICON DIODE, 1N4148	P	1.00
D202	11115024T	SILICON DIODE, 1N4148	P	1.00
D203	11115024T	SILICON DIODE, 1N4148	P	1.00
D204	11115024T	SILICON DIODE, 1N4148	P	1.00
D205	11115024T	SILICON DIODE, 1N4148	P	1.00
D206	11115024T	SILICON DIODE, 1N4148	P	1.00
J101	11183004	PLATING WIRE, 0.6MM	M	0.05
J102	11183004	PLATING WIRE, 0.6MM	M	0.05
J103	11183004	PLATING WIRE, 0.6MM	M	0.05
J104	11183004	PLATING WIRE, 0.6MM	M	0.05
J105	11183004	PLATING WIRE, 0.6MM	M	0.05
J106	11183004	PLATING WIRE, 0.6MM	M	0.05
J107	11183004	PLATING WIRE, 0.6MM	M	0.05
J108	11183004	PLATING WIRE, 0.6MM	M	0.05
J109	11183004	PLATING WIRE, 0.6MM	M	0.05
J110	11183004	PLATING WIRE, 0.6MM	M	0.05
J111	11183004	PLATING WIRE, 0.6MM	M	0.05
J112	11183004	PLATING WIRE, 0.6MM	M	0.05
J113	11183004	PLATING WIRE, 0.6MM	M	0.05
J114	11183004	PLATING WIRE, 0.6MM	M	0.05
J115	11183004	PLATING WIRE, 0.6MM	M	0.05
J116	11183004	PLATING WIRE, 0.6MM	M	0.05
J117	11183004	PLATING WIRE, 0.6MM	M	0.05
J118	11183004	PLATING WIRE, 0.6MM	M	0.05
J119	11183004	PLATING WIRE, 0.6MM	M	0.05
J120	11183004	PLATING WIRE, 0.6MM	M	0.05
J121	11183004	PLATING WIRE, 0.6MM	M	0.05
J122	11183004	PLATING WIRE, 0.6MM	M	0.05
J123	11183004	PLATING WIRE, 0.6MM	M	0.05
J124	11183004	PLATING WIRE, 0.6MM	M	0.05
J125	11183004	PLATING WIRE, 0.6MM	M	0.05
J126	11183004	PLATING WIRE, 0.6MM	M	0.05
J127	11183004	PLATING WIRE, 0.6MM	M	0.05
J128	11183004	PLATING WIRE, 0.6MM	M	0.05
J129	11183004	PLATING WIRE, 0.6MM	M	0.05
J130	11183004	PLATING WIRE, 0.6MM	M	0.05

J131	11183004	PLATING WIRE, 0.6MM	M	0.05
J132	11183004	PLATING WIRE, 0.6MM	M	0.05
J133	11183004	PLATING WIRE, 0.6MM	M	0.05
J134	11183004	PLATING WIRE, 0.6MM	M	0.05
J135	11183004	PLATING WIRE, 0.6MM	M	0.05
J136	11183004	PLATING WIRE, 0.6MM	M	0.05
J137	11183004	PLATING WIRE, 0.6MM	M	0.05
J138	11183004	PLATING WIRE, 0.6MM	M	0.05
J139	11183004	PLATING WIRE, 0.6MM	M	0.05
J140	11183004	PLATING WIRE, 0.6MM	M	0.05
J141	11183004	PLATING WIRE, 0.6MM	M	0.05
J142	11183004	PLATING WIRE, 0.6MM	M	0.05
J143	11183004	PLATING WIRE, 0.6MM	M	0.05
J144	11183004	PLATING WIRE, 0.6MM	M	0.05
J145	11183004	PLATING WIRE, 0.6MM	M	0.05
J146	11183004	PLATING WIRE, 0.6MM	M	0.05
J147	11183004	PLATING WIRE, 0.6MM	M	0.05
J148	11183004	PLATING WIRE, 0.6MM	M	0.05
J149	11183004	PLATING WIRE, 0.6MM	M	0.05
J150	11183004	PLATING WIRE, 0.6MM	M	0.05
J151	11183004	PLATING WIRE, 0.6MM	M	0.05
J152	11183004	PLATING WIRE, 0.6MM	M	0.05
R201	12368102T	CARBON RESISTOR, SB 1/6W 1K OHM J	P	1.00
R202	12368103T	CARBON RESISTOR, SB 1/6W 10K OHM J	P	1.00
R203	12368223T	CARBON RESISTOR, SB 1/6W 22K OHM J	P	1.00
R204	12368103T	CARBON RESISTOR, SB 1/6W 10K OHM J	P	1.00
R205	12368222T	CARBON RESISTOR, SB 1/6W 2.2K OHM J	P	1.00
R206	12368562T	CARBON RESISTOR, SB 1/6W 5.6K OHM J	P	1.00
R207	12368102T	CARBON RESISTOR, SB 1/6W 1K OHM J	P	1.00
R212	12368102T	CARBON RESISTOR, SB 1/6W 1K OHM J	P	1.00
R213	12368103T	CARBON RESISTOR, SB 1/6W 10K OHM J	P	1.00
R214	12368102T	CARBON RESISTOR, SB 1/6W 1K OHM J	P	1.00
R215	12368182T	CARBON RESISTOR, SB 1/6W 1.8K OHM J	P	1.00
R216	12368563T	CARBON RESISTOR, SB 1/6W 56K OHM J	P	1.00
R217	12368563T	CARBON RESISTOR, SB 1/6W 56K OHM J	P	1.00
R218	12368182T	CARBON RESISTOR, SB 1/6W 1.8K OHM J	P	1.00
R219	12368103T	CARBON RESISTOR, SB 1/6W 10K OHM J	P	1.00
R220	12368103T	CARBON RESISTOR, SB 1/6W 10K OHM J	P	1.00
R221	12368563T	CARBON RESISTOR, SB 1/6W 56K OHM J	P	1.00
R222	12368563T	CARBON RESISTOR, SB 1/6W 56K OHM J	P	1.00
R223	12368472T	CARBON RESISTOR, SB 1/6W 4.7K OHM J	P	1.00
R224	12368103T	CARBON RESISTOR, SB 1/6W 10K OHM J	P	1.00
R225	12368222T	CARBON RESISTOR, SB 1/6W 2.2K OHM J	P	1.00
R226	12368223T	CARBON RESISTOR, SB 1/6W 22K OHM J	P	1.00
R227	12322101S	OXIDE RESISTOR, B 1W 100 OHM J	P	1.00
R228	12322101S	OXIDE RESISTOR, B 1W 100 OHM J	P	1.00
R229	12368103T	CARBON RESISTOR, SB 1/6W 10K OHM J	P	1.00
R230	12368103T	CARBON RESISTOR, SB 1/6W 10K OHM J	P	1.00
R231	12368472T	CARBON RESISTOR, SB 1/6W 4.7K OHM J	P	1.00
R232	12368103T	CARBON RESISTOR, SB 1/6W 10K OHM J	P	1.00
R233	12368103T	CARBON RESISTOR, SB 1/6W 10K OHM J	P	1.00
R234	12368222T	CARBON RESISTOR, SB 1/6W 2.2K OHM J	P	1.00
R235	12368102T	CARBON RESISTOR, SB 1/6W 1K OHM J	P	1.00
R236	12368562T	CARBON RESISTOR, SB 1/6W 5.6K OHM J	P	1.00
R237	12368102T	CARBON RESISTOR, SB 1/6W 1K OHM J	P	1.00
R238	12322479S	OXIDE RESISTOR, B 1W 4.7 OHM J	P	1.00
R239	12322479S	OXIDE RESISTOR, B 1W 4.7 OHM J	P	1.00
R240	12322479S	OXIDE RESISTOR, B 1W 4.7 OHM J	P	1.00
R241	12322479S	OXIDE RESISTOR, B 1W 4.7 OHM J	P	1.00
R242	12368103T	CARBON RESISTOR, SB 1/6W 10K OHM J	P	1.00

R243	12368224T	CARBON RESISTOR, SB 1/6W 220K OHM J	P	1.00
R244	12368103T	CARBON RESISTOR, SB 1/6W 10K OHM J	P	1.00
R245	12368224T	CARBON RESISTOR, SB 1/6W 220K OHM J	P	1.00
R246	12368562T	CARBON RESISTOR, SB 1/6W 5.6K OHM J	P	1.00
R247	12368562T	CARBON RESISTOR, SB 1/6W 5.6K OHM J	P	1.00
R248	12368102T	CARBON RESISTOR, SB 1/6W 1K OHM J	P	1.00
R249	12368102T	CARBON RESISTOR, SB 1/6W 1K OHM J	P	1.00
R250	12368102T	CARBON RESISTOR, SB 1/6W 1K OHM J	P	1.00
R251	12368181T	CARBON RESISTOR, SB 1/6W 180 OHM J	P	1.00
R252	12368181T	CARBON RESISTOR, SB 1/6W 180 OHM J	P	1.00
R253	12368103T	CARBON RESISTOR, SB 1/6W 10K OHM J	P	1.00
R254	11183004	PLATING WIRE, 0.6MM	M	0.05
R255	12368103T	CARBON RESISTOR, SB 1/6W 10K OHM J	P	1.00
R256	12368472T	CARBON RESISTOR, SB 1/6W 4.7K OHM J	P	1.00
R259	12368472T	CARBON RESISTOR, SB 1/6W 4.7K OHM J	P	1.00
R262	12321331T	OXIDE RESISTOR, B 1/2W 330 OHM J	P	1.00
R263	12321331T	OXIDE RESISTOR, B 1/2W 330 OHM J	P	1.00
U001	11896043	PCB, DPM07 DPR-390 MAIN	P	1.00
ZD201	11115626T	ZD, MTZJ5.6B (VZ5.45-5.73) 0.5W	P	1.00
ZD202	11115636T	ZD, MTZJ6.8B (VZ6.49-6.83) 0.5W	P	1.00

SOUND BOARD PARTS LIST

PART NO	STOCK-NO	DESCRIPTION	UNIT	Q'TY
	150090867	DIGITAL, EMI DPS12 DPR-390	P	1.00
C012	12797100TC	CHEMICON, 50V 10MF 85C 5*11	P	1.00
C401	12797100TC	CHEMICON, 50V 10MF 85C 5*11	P	1.00
C402	12795101TC	CHEMICON, 25V 100MF 85C 6.3*11	P	1.00
C412	12797100TC	CHEMICON, 50V 10MF 85C 5*11	P	1.00
C602	12797100TC	CHEMICON, 50V 10MF 85C 5*11	P	1.00
C614	12797100TC	CHEMICON, 50V 10MF 85C 5*11	P	1.00
C620	12797229TC	CHEMICON, 50V 2.2MF 85C 5*11	P	1.00
C633	12797229TC	CHEMICON, 50V 2.2MF 85C 5*11	P	1.00
C634	12797100TC	CHEMICON, 50V 10MF 85C 5*11	P	1.00
C901	12797100TC	CHEMICON, 50V 10MF 85C 5*11	P	1.00
C907	12797100TC	CHEMICON, 50V 10MF 85C 5*11	P	1.00
C915	12795101TC	CHEMICON, 25V 100MF 85C 6.3*11	P	1.00
C916	12795101TC	CHEMICON, 25V 100MF 85C 6.3*11	P	1.00
CN001	11165048	CONNECTOR, PIN HDR2.54 (2*10)	P	1.00
CN002	11165048	CONNECTOR, PIN HDR2.54 (2*10)	P	1.00
CN003	11165043	PLUG, 5267-14AXX, LWB0640-14	P	1.00
CN402	11164125	PLUG, 6P 5267-06AX (LWB 0640-06)	P	1.00
CN403	11164146	PLUG, 6P 5268-06A	P	1.00
CN404	11165048	CONNECTOR, PIN HDR2.54 (2*10)	P	1.00
CN405	11165051	PLUG, 16P 5267-16AXX (LWB0640-16)	P	1.00
CN601	11164127	PLUG, 8P 5267-08AX (LWB 0640-08)	P	1.00
CN901	11164123	PLUG, 4P 5267-04AX	P	1.00
D001	11115024T	SILICON DIODE, 1N4148	P	1.00
D401	11115003T	SILICON DIODE, 1N4004	P	1.00
D402	11115024T	SILICON DIODE, 1N4148	P	1.00
L001	11103049T	BEAD CORE, BFD3550R2F	P	1.00
L008	11103049T	BEAD CORE, BFD3550R2F	P	1.00
L402	11103049T	BEAD CORE, BFD3550R2F	P	1.00
L404	11103049T	BEAD CORE, BFD3550R2F	P	1.00
L405	11103049T	BEAD CORE, BFD3550R2F	P	1.00
L901	11103049T	BEAD CORE, BFD3550R2F	P	1.00
L904	11103049T	BEAD CORE, BFD3550R2F	P	1.00
L905	11103049T	BEAD CORE, BFD3550R2F	P	1.00
L906	11103049T	BEAD CORE, BFD3550R2F	P	1.00
L907	11103049T	BEAD CORE, BFD3550R2F	P	1.00
L908	11103049T	BEAD CORE, BFD3550R2F	P	1.00
N110	11961025	SOLDER WIRE, 63SN 3.0MM	G	6.00
N111	11961024	SOLDER WIRE, ENERGIZED 63SN 1.6MM	G	1.50
N112	11961020	FLUX, JS-64T-3	G	1.00
N113	11964033	SOLVENT, IPA4520	G	7.00
P401	11164865	CONNECTOR, USB A-TYPE	P	1.00
Q001	11118226	IC, 8BIT/8K AT89S52-24PC (TQFP44P)	P	1.00
Q005	11119861	IC, PHOTO COUPLER PC900V0NSZX	P	1.00
Q903	11116377	IC SOCKET, NIC 32S2.54 WSDIF-32T	P	1.00
Q903A	11119946	IC, W27C01-70 (1M,5V,128K*8)	P	1.00
Q905	11116377	IC SOCKET, NIC 32S2.54 WSDIF-32T	P	1.00
Q905A	11119943	IC, AT27C040 OTP (512K*8BIT,90NS)	P	1.00
Q909	11116402	IC SOCKET, NIC 20S2.54 WSDIF-20T	P	1.00
Q909A	11119935	IC, PALCE16V8H-25PC/4 DIP G/S	P	1.00
Y001	11153219	CRYSTAL, 12.00000MHZ 30PF-FD ATS 13	P	1.00
Y401	11153243	CRYSTAL, 48MHZ 22PF-FD ATS 13	P	1.00
Y601	11153241	CRYSTAL, 11.2896MHZ 22PF-FD ATS 13	P	1.00
Y901	11153242	CRYSTAL, 18MHZ 22PF-FD ATS 13	P	1.00
A001U	150190795	AUTO, DPS12 DPR-390	P	1.00
C001	12752104T	CHIP CERAMIC CAP, X7R 25V 0.1MF K	P	1.00
C002	12751101T	CHIP CERAMIC CAP, COG 50V 100PF J	P	1.00

PART NO	STOCK-NO	DESCRIPTION	UNIT	Q'TY
C003	12751101T	CHIP CERAMIC CAP, COG 50V 100PF J	P	1.00
C004	12751101T	CHIP CERAMIC CAP, COG 50V 100PF J	P	1.00
C005	12751101T	CHIP CERAMIC CAP, COG 50V 100PF J	P	1.00
C006	12751101T	CHIP CERAMIC CAP, COG 50V 100PF J	P	1.00
C007	12751101T	CHIP CERAMIC CAP, COG 50V 100PF J	P	1.00
C008	12751101T	CHIP CERAMIC CAP, COG 50V 100PF J	P	1.00
C009	12751101T	CHIP CERAMIC CAP, COG 50V 100PF J	P	1.00
C010	12751220T	CHIP CERAMIC CAP, COG 50V 22PF J	P	1.00
C011	12751220T	CHIP CERAMIC CAP, COG 50V 22PF J	P	1.00
C013	12752104T	CHIP CERAMIC CAP, X7R 25V 0.1MF K	P	1.00
C014	12752104T	CHIP CERAMIC CAP, X7R 25V 0.1MF K	P	1.00
C015	12752104T	CHIP CERAMIC CAP, X7R 25V 0.1MF K	P	1.00
C016	12752104T	CHIP CERAMIC CAP, X7R 25V 0.1MF K	P	1.00
C017	12752102T	CHIP CERAMIC CAP, X7R 50V 1000PF K	P	1.00
C018	12752102T	CHIP CERAMIC CAP, X7R 50V 1000PF K	P	1.00
C019	12752102T	CHIP CERAMIC CAP, X7R 50V 1000PF K	P	1.00
C020	12752104T	CHIP CERAMIC CAP, X7R 25V 0.1MF K	P	1.00
C021	12752104T	CHIP CERAMIC CAP, X7R 25V 0.1MF K	P	1.00
C022	12752104T	CHIP CERAMIC CAP, X7R 25V 0.1MF K	P	1.00
C023	12752102T	CHIP CERAMIC CAP, X7R 50V 1000PF K	P	1.00
C024	12752102T	CHIP CERAMIC CAP, X7R 50V 1000PF K	P	1.00
C025	12751220T	CHIP CERAMIC CAP, COG 50V 22PF J	P	1.00
C026	12751101T	CHIP CERAMIC CAP, COG 50V 100PF J	P	1.00
C027	12751101T	CHIP CERAMIC CAP, COG 50V 100PF J	P	1.00
C028	12751101T	CHIP CERAMIC CAP, COG 50V 100PF J	P	1.00
C029	12751101T	CHIP CERAMIC CAP, COG 50V 100PF J	P	1.00
C030	12751101T	CHIP CERAMIC CAP, COG 50V 100PF J	P	1.00
C031	12751101T	CHIP CERAMIC CAP, COG 50V 100PF J	P	1.00
C032	12751101T	CHIP CERAMIC CAP, COG 50V 100PF J	P	1.00
C033	12751101T	CHIP CERAMIC CAP, COG 50V 100PF J	P	1.00
C034	12752102T	CHIP CERAMIC CAP, X7R 50V 1000PF K	P	1.00
C035	12752102T	CHIP CERAMIC CAP, X7R 50V 1000PF K	P	1.00
C036	12752102T	CHIP CERAMIC CAP, X7R 50V 1000PF K	P	1.00
C037	12752104T	CHIP CERAMIC CAP, X7R 25V 0.1MF K	P	1.00
C403	12752104T	CHIP CERAMIC CAP, X7R 25V 0.1MF K	P	1.00
C404	12751050T	CHIP CERAMIC CAP, COG 50V 5PF J	P	1.00
C405	12751470T	CHIP CERAMIC CAP, COG 50V 47PF J	P	1.00
C406	12751470T	CHIP CERAMIC CAP, COG 50V 47PF J	P	1.00
C407	12751050T	CHIP CERAMIC CAP, COG 50V 5PF J	P	1.00
C408	12752102T	CHIP CERAMIC CAP, X7R 50V 1000PF K	P	1.00
C409	12752104T	CHIP CERAMIC CAP, X7R 25V 0.1MF K	P	1.00
C410	12752104T	CHIP CERAMIC CAP, X7R 25V 0.1MF K	P	1.00
C411	12752104T	CHIP CERAMIC CAP, X7R 25V 0.1MF K	P	1.00
C413	12752104T	CHIP CERAMIC CAP, X7R 25V 0.1MF K	P	1.00
C414	12752104T	CHIP CERAMIC CAP, X7R 25V 0.1MF K	P	1.00
C415	12752104T	CHIP CERAMIC CAP, X7R 25V 0.1MF K	P	1.00
C416	12752104T	CHIP CERAMIC CAP, X7R 25V 0.1MF K	P	1.00
C420	12752104T	CHIP CERAMIC CAP, X7R 25V 0.1MF K	P	1.00
C601	12752222T	CHIP CERAMIC CAP, X7R 50V 2200PF K	P	1.00
C603	12752104T	CHIP CERAMIC CAP, X7R 25V 0.1MF K	P	1.00
C604	12752104T	CHIP CERAMIC CAP, X7R 25V 0.1MF K	P	1.00
C605	12752104T	CHIP CERAMIC CAP, X7R 25V 0.1MF K	P	1.00
C606	12752104T	CHIP CERAMIC CAP, X7R 25V 0.1MF K	P	1.00
C607	12752104T	CHIP CERAMIC CAP, X7R 25V 0.1MF K	P	1.00
C608	12752104T	CHIP CERAMIC CAP, X7R 25V 0.1MF K	P	1.00
C609	12752104T	CHIP CERAMIC CAP, X7R 25V 0.1MF K	P	1.00
C610	12752104T	CHIP CERAMIC CAP, X7R 25V 0.1MF K	P	1.00
C611	12751220T	CHIP CERAMIC CAP, COG 50V 22PF J	P	1.00

PART NO	STOCK-NO	DESCRIPTION	UNIT	Q'TY
C612	12751220T	CHIP CERAMIC CAP, COG 50V 22PF J	P	1.00
C613	12752103T	CHIP CERAMIC CAP, X7R 50V 0.01MF K	P	1.00
C615	12752104T	CHIP CERAMIC CAP, X7R 25V 0.1MF K	P	1.00
C616	12752104T	CHIP CERAMIC CAP, X7R 25V 0.1MF K	P	1.00
C617	12752104T	CHIP CERAMIC CAP, X7R 25V 0.1MF K	P	1.00
C618	12752222T	CHIP CERAMIC CAP, X7R 50V 2200PF K	P	1.00
C621	12752222T	CHIP CERAMIC CAP, X7R 50V 2200PF K	P	1.00
C622	12752104T	CHIP CERAMIC CAP, X7R 25V 0.1MF K	P	1.00
C623	12752222T	CHIP CERAMIC CAP, X7R 50V 2200PF K	P	1.00
C624	12751471T	CHIP CERAMIC CAP, COG 50V 470PF J	P	1.00
C625	12751101T	CHIP CERAMIC CAP, COG 50V 100PF J	P	1.00
C626	12752104T	CHIP CERAMIC CAP, X7R 25V 0.1MF K	P	1.00
C627	12752104T	CHIP CERAMIC CAP, X7R 25V 0.1MF K	P	1.00
C629	12751220T	CHIP CERAMIC CAP, COG 50V 22PF J	P	1.00
C630	12751220T	CHIP CERAMIC CAP, COG 50V 22PF J	P	1.00
C632	12752222T	CHIP CERAMIC CAP, X7R 50V 2200PF K	P	1.00
C635	12751471T	CHIP CERAMIC CAP, COG 50V 470PF J	P	1.00
C636	12751101T	CHIP CERAMIC CAP, COG 50V 100PF J	P	1.00
C637	12752104T	CHIP CERAMIC CAP, X7R 25V 0.1MF K	P	1.00
C638	12752104T	CHIP CERAMIC CAP, X7R 25V 0.1MF K	P	1.00
C639	12752104T	CHIP CERAMIC CAP, X7R 25V 0.1MF K	P	1.00
C640	12752104T	CHIP CERAMIC CAP, X7R 25V 0.1MF K	P	1.00
C902	12752104T	CHIP CERAMIC CAP, X7R 25V 0.1MF K	P	1.00
C903	12751220T	CHIP CERAMIC CAP, COG 50V 22PF J	P	1.00
C904	12751220T	CHIP CERAMIC CAP, COG 50V 22PF J	P	1.00
C905	12751101T	CHIP CERAMIC CAP, COG 50V 100PF J	P	1.00
C906	12751101T	CHIP CERAMIC CAP, COG 50V 100PF J	P	1.00
C908	12752104T	CHIP CERAMIC CAP, X7R 25V 0.1MF K	P	1.00
C909	12752104T	CHIP CERAMIC CAP, X7R 25V 0.1MF K	P	1.00
C910	12752104T	CHIP CERAMIC CAP, X7R 25V 0.1MF K	P	1.00
C911	12752104T	CHIP CERAMIC CAP, X7R 25V 0.1MF K	P	1.00
C912	12752104T	CHIP CERAMIC CAP, X7R 25V 0.1MF K	P	1.00
C913	12752104T	CHIP CERAMIC CAP, X7R 25V 0.1MF K	P	1.00
C914	12752104T	CHIP CERAMIC CAP, X7R 25V 0.1MF K	P	1.00
C917	12752104T	CHIP CERAMIC CAP, X7R 25V 0.1MF K	P	1.00
C918	12752104T	CHIP CERAMIC CAP, X7R 25V 0.1MF K	P	1.00
C919	12751101T	CHIP CERAMIC CAP, COG 50V 100PF J	P	1.00
C920	12751101T	CHIP CERAMIC CAP, COG 50V 100PF J	P	1.00
L002	11106003T	CHIP BEAD CORE, HB-1M1608-601JT	P	1.00
L003	11106003T	CHIP BEAD CORE, HB-1M1608-601JT	P	1.00
L004	11106003T	CHIP BEAD CORE, HB-1M1608-601JT	P	1.00
L005	11106003T	CHIP BEAD CORE, HB-1M1608-601JT	P	1.00
L006	11106003T	CHIP BEAD CORE, HB-1M1608-601JT	P	1.00
L007	11106003T	CHIP BEAD CORE, HB-1M1608-601JT	P	1.00
L009	11106003T	CHIP BEAD CORE, HB-1M1608-601JT	P	1.00
L010	11106003T	CHIP BEAD CORE, HB-1M1608-601JT	P	1.00
L403	11297009T	CHIP, INDUCTOR 3.3UH	P	1.00
L601	11106003T	CHIP BEAD CORE, HB-1M1608-601JT	P	1.00
L603	11106003T	CHIP BEAD CORE, HB-1M1608-601JT	P	1.00
L902	11106003T	CHIP BEAD CORE, HB-1M1608-601JT	P	1.00
L903	11106003T	CHIP BEAD CORE, HB-1M1608-601JT	P	1.00
Q002	11119923T	IC, NS MM74HC574WMX 1K/TP D F-F	P	1.00
Q004	11118160T	IC, SGS-T M74HC541MIR (SOP20)	P	1.00
Q401	11118346	IC, MICOM UBI9021 SOP-48	P	1.00
Q402	11119923T	IC, NS MM74HC574WMX 1K/TP D F-F	P	1.00
Q404	11118161T	IC,SGS M74HC573M1R,TI SN74HC573ADWR	P	1.00
Q405	11118159T	IC, SGS-T M74HC245MIR (SOP20)	P	1.00
Q406	11119923T	IC, NS MM74HC574WMX 1K/TP D F-F	P	1.00

PART NO	STOCK-NO	DESCRIPTION	UNIT	Q'TY
Q407	11114384T	TR, KTB1124C (PNP), SOT-89	P	1.00
Q408	11119904	IC, TTL 74HC08D SOP14	P	1.00
Q601	11118328	IC, SOUND ENGINE SAM9708 TQFP144	P	1.00
Q602	11118340	IC,BS616LV1013EC-70(64K*16)TSOP2-44	P	1.00
Q603	11118347	IC, P2ROM MR27T25603L (REV1.0)	P	1.00
Q604	11119390	IC, REGU.0.15A KIA78L05F SOT-89	P	1.00
Q605	11118313	IC,DAC AK4384VT-E2(24BIT 2CH)SOP-16	P	1.00
Q606	11118000T	IC, OP AMP KIA4558F(FLP-8) KEC	P	1.00
Q901	11119700	IC,RESET KIA7042AF SOT-89	P	1.00
Q902	11118161T	IC,SGS M74HC573M1R,TI SN74HC573ADWR	P	1.00
Q904	11118336	IC,BSLV1027(128K*8,70NS) SOP-32	P	1.00
Q906	11118339	IC, MICOM DS80C323-ECD QFP-44	P	1.00
Q907	11118342	IC, AT93C66	P	1.00
Q908	11119905	IC, TTL 74HC138D SOP16	P	1.00
Q910	11119391	IC, REGU. 1.0A KIA78D33F DPAK	P	1.00
Q911	11119915T	IC, PHILIPS 74HC14D(T) 1K TP	P	1.00
Q912	11119915T	IC, PHILIPS 74HC14D(T) 1K TP	P	1.00
R001	12873221T	CHIP RES, 1/16W 220 OHM J (1608)	P	1.00
R002	12873103T	CHIP RES, 1/16W 10K OHM J(1608)	P	1.00
R003	12873103T	CHIP RES, 1/16W 10K OHM J(1608)	P	1.00
R004	12873103T	CHIP RES, 1/16W 10K OHM J(1608)	P	1.00
R005	12873103T	CHIP RES, 1/16W 10K OHM J(1608)	P	1.00
R006	12873103T	CHIP RES, 1/16W 10K OHM J(1608)	P	1.00
R007	12873103T	CHIP RES, 1/16W 10K OHM J(1608)	P	1.00
R008	12873103T	CHIP RES, 1/16W 10K OHM J(1608)	P	1.00
R009	12873103T	CHIP RES, 1/16W 10K OHM J(1608)	P	1.00
R010	12873101T	CHIP RES, 1/16W 100 OHM J(1608)	P	1.00
R011	12873101T	CHIP RES, 1/16W 100 OHM J(1608)	P	1.00
R012	12873101T	CHIP RES, 1/16W 100 OHM J(1608)	P	1.00
R013	12873101T	CHIP RES, 1/16W 100 OHM J(1608)	P	1.00
R014	12873101T	CHIP RES, 1/16W 100 OHM J(1608)	P	1.00
R015	12873101T	CHIP RES, 1/16W 100 OHM J(1608)	P	1.00
R016	12873101T	CHIP RES, 1/16W 100 OHM J(1608)	P	1.00
R017	12873101T	CHIP RES, 1/16W 100 OHM J(1608)	P	1.00
R018	12873101T	CHIP RES, 1/16W 100 OHM J(1608)	P	1.00
R019	12873101T	CHIP RES, 1/16W 100 OHM J(1608)	P	1.00
R020	12873101T	CHIP RES, 1/16W 100 OHM J(1608)	P	1.00
R021	12873101T	CHIP RES, 1/16W 100 OHM J(1608)	P	1.00
R022	12873101T	CHIP RES, 1/16W 100 OHM J(1608)	P	1.00
R023	12873101T	CHIP RES, 1/16W 100 OHM J(1608)	P	1.00
R024	12873101T	CHIP RES, 1/16W 100 OHM J(1608)	P	1.00
R025	12873101T	CHIP RES, 1/16W 100 OHM J(1608)	P	1.00
R026	12873101T	CHIP RES, 1/16W 100 OHM J(1608)	P	1.00
R027	12873101T	CHIP RES, 1/16W 100 OHM J(1608)	P	1.00
R028	12873101T	CHIP RES, 1/16W 100 OHM J(1608)	P	1.00
R029	12873101T	CHIP RES, 1/16W 100 OHM J(1608)	P	1.00
R030	12873101T	CHIP RES, 1/16W 100 OHM J(1608)	P	1.00
R031	12873101T	CHIP RES, 1/16W 100 OHM J(1608)	P	1.00
R032	12873101T	CHIP RES, 1/16W 100 OHM J(1608)	P	1.00
R033	12873101T	CHIP RES, 1/16W 100 OHM J(1608)	P	1.00
R034	12873101T	CHIP RES, 1/16W 100 OHM J(1608)	P	1.00
R035	12873101T	CHIP RES, 1/16W 100 OHM J(1608)	P	1.00
R036	12873101T	CHIP RES, 1/16W 100 OHM J(1608)	P	1.00
R037	12873101T	CHIP RES, 1/16W 100 OHM J(1608)	P	1.00
R038	12873101T	CHIP RES, 1/16W 100 OHM J(1608)	P	1.00
R039	12873101T	CHIP RES, 1/16W 100 OHM J(1608)	P	1.00
R040	12873103T	CHIP RES, 1/16W 10K OHM J(1608)	P	1.00
R041	12873103T	CHIP RES, 1/16W 10K OHM J(1608)	P	1.00

CONSOLE(DPR390) BOARD PARTS LIST

PART NO	STOCK-NO	DESCRIPTION	UNIT	Q'TY
	150090868	CONSOLE PCB ASS'Y EMI DPC16(DPR390)	P	1.00
CN701	11165055	CONNECTOR, BHD R-ANG 20P(P=2.54)	P	1.00
CN702	11164697	CONNECTOR, FFC ELCO 8370-297 29PAN	P	1.00
CN703	11164697	CONNECTOR, FFC ELCO 8370-297 29PAN	P	1.00
CN704	11164146	PLUG, 6P 5268-06A	P	1.00
CN705	11164702	CONNECTOR, 4PIN,3.96MM(FW1143-04)	P	2.00
CN706	11164702	CONNECTOR, 4PIN,3.96MM(FW1143-04)	P	1.00
N110	11961025	SOLDER WIRE, 63SN 3.0MM	G	250.00
N111	11961020	FLUX, JS-64T-3	G	250.00
N112	11964033	SOLVENT, IPA4520	G	5.00
Q701	11119819	IC, PHILIPS 74HC138N(DIP16)	P	1.00
Q702	11119752	IC, PHILIPS 74HC541N(DIP20)	P	1.00
Q703	11119819	IC, PHILIPS 74HC138N(DIP16)	P	1.00
Q705	11118162	IC, PHILIPS 74HC574N (DIP20)	P	1.00
Q706	11118162	IC, PHILIPS 74HC574N (DIP20)	P	1.00
Q707	11118162	IC, PHILIPS 74HC574N (DIP20)	P	1.00
Q708	11118162	IC, PHILIPS 74HC574N (DIP20)	P	1.00
Q709	11118162	IC, PHILIPS 74HC574N (DIP20)	P	1.00
Q710	11118162	IC, PHILIPS 74HC574N (DIP20)	P	1.00
Q711	11118162	IC, PHILIPS 74HC574N (DIP20)	P	1.00
Q714	11113199	IC, IR MODULE ROM-N338TE	P	1.00
VR701	12060264	V/R, DUAL V122(M)H-02CO 20F B10K	P	1.00
A003R	150690104	CONSOLE, RHU DPC16 (DPR390)	P	1.00
SW701	11145172T	TACT SWITCH, THVV502GAA	P	1.00
SW702	11145172T	TACT SWITCH, THVV502GAA	P	1.00
SW703	11145172T	TACT SWITCH, THVV502GAA	P	1.00
SW704	11145172T	TACT SWITCH, THVV502GAA	P	1.00
SW705	11145172T	TACT SWITCH, THVV502GAA	P	1.00
SW706	11145172T	TACT SWITCH, THVV502GAA	P	1.00
SW707	11145172T	TACT SWITCH, THVV502GAA	P	1.00
SW708	11145172T	TACT SWITCH, THVV502GAA	P	1.00
SW709	11145172T	TACT SWITCH, THVV502GAA	P	1.00
SW710	11145172T	TACT SWITCH, THVV502GAA	P	1.00
SW711	11145172T	TACT SWITCH, THVV502GAA	P	1.00
SW712	11145172T	TACT SWITCH, THVV502GAA	P	1.00
SW713	11145172T	TACT SWITCH, THVV502GAA	P	1.00
SW714	11145172T	TACT SWITCH, THVV502GAA	P	1.00
SW715	11145172T	TACT SWITCH, THVV502GAA	P	1.00
SW716	11145172T	TACT SWITCH, THVV502GAA	P	1.00
SW717	11145172T	TACT SWITCH, THVV502GAA	P	1.00
SW718	11145172T	TACT SWITCH, THVV502GAA	P	1.00
SW719	11145172T	TACT SWITCH, THVV502GAA	P	1.00
SW720	11145172T	TACT SWITCH, THVV502GAA	P	1.00
SW721	11145172T	TACT SWITCH, THVV502GAA	P	1.00
SW722	11145172T	TACT SWITCH, THVV502GAA	P	1.00
SW723	11145172T	TACT SWITCH, THVV502GAA	P	1.00
SW724	11145172T	TACT SWITCH, THVV502GAA	P	1.00
SW725	11145172T	TACT SWITCH, THVV502GAA	P	1.00
SW726	11145172T	TACT SWITCH, THVV502GAA	P	1.00
SW727	11145172T	TACT SWITCH, THVV502GAA	P	1.00
SW728	11145172T	TACT SWITCH, THVV502GAA	P	1.00
SW729	11145172T	TACT SWITCH, THVV502GAA	P	1.00
SW730	11145172T	TACT SWITCH, THVV502GAA	P	1.00
SW731	11145172T	TACT SWITCH, THVV502GAA	P	1.00
SW732	11145172T	TACT SWITCH, THVV502GAA	P	1.00
SW733	11145172T	TACT SWITCH, THVV502GAA	P	1.00
SW734	11145172T	TACT SWITCH, THVV502GAA	P	1.00

SW735	11145172T	TACT SWITCH, THVV502GAA	P	1.00
SW736	11145172T	TACT SWITCH, THVV502GAA	P	1.00
SW737	11145172T	TACT SWITCH, THVV502GAA	P	1.00
SW738	11145172T	TACT SWITCH, THVV502GAA	P	1.00
SW739	11145172T	TACT SWITCH, THVV502GAA	P	1.00
SW740	11145172T	TACT SWITCH, THVV502GAA	P	1.00
SW741	11145172T	TACT SWITCH, THVV502GAA	P	1.00
SW742	11145172T	TACT SWITCH, THVV502GAA	P	1.00
SW743	11145172T	TACT SWITCH, THVV502GAA	P	1.00
SW744	11145172T	TACT SWITCH, THVV502GAA	P	1.00
SW745	11145172T	TACT SWITCH, THVV502GAA	P	1.00
SW746	11145172T	TACT SWITCH, THVV502GAA	P	1.00
SW747	11145172T	TACT SWITCH, THVV502GAA	P	1.00
SW748	11145172T	TACT SWITCH, THVV502GAA	P	1.00
SW749	11145172T	TACT SWITCH, THVV502GAA	P	1.00
SW750	11145172T	TACT SWITCH, THVV502GAA	P	1.00
SW751	11145172T	TACT SWITCH, THVV502GAA	P	1.00
SW752	11145172T	TACT SWITCH, THVV502GAA	P	1.00
SW753	11145172T	TACT SWITCH, THVV502GAA	P	1.00
SW754	11145172T	TACT SWITCH, THVV502GAA	P	1.00
SW755	11145172T	TACT SWITCH, THVV502GAA	P	1.00
SW756	11145172T	TACT SWITCH, THVV502GAA	P	1.00
SW757	11145172T	TACT SWITCH, THVV502GAA	P	1.00
SW758	11145172T	TACT SWITCH, THVV502GAA	P	1.00
SW759	11145172T	TACT SWITCH, THVV502GAA	P	1.00
SW760	11145172T	TACT SWITCH, THVV502GAA	P	1.00
SW761	11145172T	TACT SWITCH, THVV502GAA	P	1.00
SW762	11145172T	TACT SWITCH, THVV502GAA	P	1.00
SW763	11145172T	TACT SWITCH, THVV502GAA	P	1.00
SW764	11145172T	TACT SWITCH, THVV502GAA	P	1.00
A003U	150190796	CONSOLE AUTO DPC16 (DPR390)	P	1.00
C701	12795101TC	CHEMICON, 25V 100MF 85C 6.3*11	P	1.00
C706	12797100TC	CHEMICON, 50V 10MF 85C 5*11	P	1.00
C721	12085043T	CHEMICON,SMS BP 50V 4.7MF M (5*11)	P	1.00
C722	12085043T	CHEMICON,SMS BP 50V 4.7MF M (5*11)	P	1.00
C723	12797470T	CHEMICON, 50V 47MF 85C 6.3*11	P	1.00
LD701	11113192T	LED, SLY1550CN-M F4.5MM Ø5	P	1.00
LD702	11113175T	LED, SLR123H Ø3 CLEAR FAA-8.8MM	P	1.00
LD703	11113192T	LED, SLY1550CN-M F4.5MM Ø5	P	1.00
LD704	11113175T	LED, SLR123H Ø3 CLEAR FAA-8.8MM	P	1.00
LD705	11113192T	LED, SLY1550CN-M F4.5MM Ø5	P	1.00
LD706	11113175T	LED, SLR123H Ø3 CLEAR FAA-8.8MM	P	1.00
LD707	11113192T	LED, SLY1550CN-M F4.5MM Ø5	P	1.00
LD708	11113175T	LED, SLR123H Ø3 CLEAR FAA-8.8MM	P	1.00
LD709	11113192T	LED, SLY1550CN-M F4.5MM Ø5	P	1.00
LD710	11113175T	LED, SLR123H Ø3 CLEAR FAA-8.8MM	P	1.00
LD711	11113192T	LED, SLY1550CN-M F4.5MM Ø5	P	1.00
LD712	11113175T	LED, SLR123H Ø3 CLEAR FAA-8.8MM	P	1.00
LD713	11113192T	LED, SLY1550CN-M F4.5MM Ø5	P	1.00
LD714	11113192T	LED, SLY1550CN-M F4.5MM Ø5	P	1.00
LD715	11113192T	LED, SLY1550CN-M F4.5MM Ø5	P	1.00
LD716	11113192T	LED, SLY1550CN-M F4.5MM Ø5	P	1.00
LD717	11113175T	LED, SLR123H Ø3 CLEAR FAA-8.8MM	P	1.00
LD718	11113187	LED,SLG123 Ø3 FAA-14MM(8.8MM)	P	1.00
LD719	11113175T	LED, SLR123H Ø3 CLEAR FAA-8.8MM	P	1.00
LD720	11113188	LED, SLR123 Ø3 FAA-14MM(8.8MM)	P	1.00
LD721	11113175T	LED, SLR123H Ø3 CLEAR FAA-8.8MM	P	1.00
LD722	11113188	LED, SLR123 Ø3 FAA-14MM(8.8MM)	P	1.00
LD723	11113175T	LED, SLR123H Ø3 CLEAR FAA-8.8MM	P	1.00
LD724	11113188	LED, SLR123 Ø3 FAA-14MM(8.8MM)	P	1.00

CONSOLE(DP100) BOARD PARTS LIST

PART NO	STOCK-NO	DESCRIPTION	UNIT	Q'TY
	150090869	CONSOLE PCB ASS'Y EMI DPC18(DP100)	P	1.00
CN701	11165055	CONNECTOR, BHD R-ANG 20P(P=2.54)	P	1.00
CN702	11164697	CONNECTOR , FFC ELCO 8370-297 29PAN	P	1.00
CN703	11164697	CONNECTOR , FFC ELCO 8370-297 29PAN	P	1.00
CN704	11164146	PLUG, 6P 5268-06A	P	1.00
CN705	11164702	CONNECTOR, 4PIN,3.96MM(FW1143-04)	P	2.00
CN706	11164702	CONNECTOR, 4PIN,3.96MM(FW1143-04)	P	1.00
N110	11961025	SOLDER WIRE, 63SN 3.0MM	G	250.00
N111	11961020	FLUX, JS-64T-3	G	250.00
N112	11964033	SOLVENT, IPA4520	G	5.00
Q701	11119819	IC, PHILIPS 74HC138N(DIP16)	P	1.00
Q702	11119752	IC, PHILIPS 74HC541N(DIP20)	P	1.00
Q703	11119819	IC, PHILIPS 74HC138N(DIP16)	P	1.00
Q705	11118162	IC, PHILIPS 74HC574N (DIP20)	P	1.00
Q706	11118162	IC, PHILIPS 74HC574N (DIP20)	P	1.00
Q707	11118162	IC, PHILIPS 74HC574N (DIP20)	P	1.00
Q708	11118162	IC, PHILIPS 74HC574N (DIP20)	P	1.00
Q709	11118162	IC, PHILIPS 74HC574N (DIP20)	P	1.00
Q710	11118162	IC, PHILIPS 74HC574N (DIP20)	P	1.00
Q711	11118162	IC, PHILIPS 74HC574N (DIP20)	P	1.00
Q714	11113199	IC, IR MODULE ROM-N338TE	P	1.00
VR701	12060264	V/R, DUAL V122(M)H-02CO 20F B10K	P	1.00
A003R	150690105	CONSOLE, RHU DPC18 (DP100)	P	1.00
SW701	11145172T	TACT SWITCH, THVV502GAA	P	1.00
SW702	11145172T	TACT SWITCH, THVV502GAA	P	1.00
SW703	11145172T	TACT SWITCH, THVV502GAA	P	1.00
SW704	11145172T	TACT SWITCH, THVV502GAA	P	1.00
SW705	11145172T	TACT SWITCH, THVV502GAA	P	1.00
SW706	11145172T	TACT SWITCH, THVV502GAA	P	1.00
SW707	11145172T	TACT SWITCH, THVV502GAA	P	1.00
SW708	11145172T	TACT SWITCH, THVV502GAA	P	1.00
SW709	11145172T	TACT SWITCH, THVV502GAA	P	1.00
SW710	11145172T	TACT SWITCH, THVV502GAA	P	1.00
SW711	11145172T	TACT SWITCH, THVV502GAA	P	1.00
SW712	11145172T	TACT SWITCH, THVV502GAA	P	1.00
SW713	11145172T	TACT SWITCH, THVV502GAA	P	1.00
SW714	11145172T	TACT SWITCH, THVV502GAA	P	1.00
SW715	11145172T	TACT SWITCH, THVV502GAA	P	1.00
SW716	11145172T	TACT SWITCH, THVV502GAA	P	1.00
SW717	11145172T	TACT SWITCH, THVV502GAA	P	1.00
SW718	11145172T	TACT SWITCH, THVV502GAA	P	1.00
SW719	11145172T	TACT SWITCH, THVV502GAA	P	1.00
SW720	11145172T	TACT SWITCH, THVV502GAA	P	1.00
SW721	11145172T	TACT SWITCH, THVV502GAA	P	1.00
SW722	11145172T	TACT SWITCH, THVV502GAA	P	1.00
SW723	11145172T	TACT SWITCH, THVV502GAA	P	1.00
SW724	11145172T	TACT SWITCH, THVV502GAA	P	1.00
SW725	11145172T	TACT SWITCH, THVV502GAA	P	1.00
SW726	11145172T	TACT SWITCH, THVV502GAA	P	1.00
SW727	11145172T	TACT SWITCH, THVV502GAA	P	1.00
SW728	11145172T	TACT SWITCH, THVV502GAA	P	1.00
SW729	11145172T	TACT SWITCH, THVV502GAA	P	1.00
SW730	11145172T	TACT SWITCH, THVV502GAA	P	1.00
SW731	11145172T	TACT SWITCH, THVV502GAA	P	1.00
SW732	11145172T	TACT SWITCH, THVV502GAA	P	1.00
SW733	11145172T	TACT SWITCH, THVV502GAA	P	1.00
SW734	11145172T	TACT SWITCH, THVV502GAA	P	1.00

SW735	11145172T	TACT SWITCH, THVV502GAA	P	1.00
SW736	11145172T	TACT SWITCH, THVV502GAA	P	1.00
SW737	11145172T	TACT SWITCH, THVV502GAA	P	1.00
SW738	11145172T	TACT SWITCH, THVV502GAA	P	1.00
SW739	11145172T	TACT SWITCH, THVV502GAA	P	1.00
SW740	11145172T	TACT SWITCH, THVV502GAA	P	1.00
SW741	11145172T	TACT SWITCH, THVV502GAA	P	1.00
SW742	11145172T	TACT SWITCH, THVV502GAA	P	1.00
SW743	11145172T	TACT SWITCH, THVV502GAA	P	1.00
SW744	11145172T	TACT SWITCH, THVV502GAA	P	1.00
SW745	11145172T	TACT SWITCH, THVV502GAA	P	1.00
SW746	11145172T	TACT SWITCH, THVV502GAA	P	1.00
SW747	11145172T	TACT SWITCH, THVV502GAA	P	1.00
SW748	11145172T	TACT SWITCH, THVV502GAA	P	1.00
SW749	11145172T	TACT SWITCH, THVV502GAA	P	1.00
SW750	11145172T	TACT SWITCH, THVV502GAA	P	1.00
SW751	11145172T	TACT SWITCH, THVV502GAA	P	1.00
SW752	11145172T	TACT SWITCH, THVV502GAA	P	1.00
SW753	11145172T	TACT SWITCH, THVV502GAA	P	1.00
SW754	11145172T	TACT SWITCH, THVV502GAA	P	1.00
SW755	11145172T	TACT SWITCH, THVV502GAA	P	1.00
SW756	11145172T	TACT SWITCH, THVV502GAA	P	1.00
SW757	11145172T	TACT SWITCH, THVV502GAA	P	1.00
SW758	11145172T	TACT SWITCH, THVV502GAA	P	1.00
SW759	11145172T	TACT SWITCH, THVV502GAA	P	1.00
SW760	11145172T	TACT SWITCH, THVV502GAA	P	1.00
SW761	11145172T	TACT SWITCH, THVV502GAA	P	1.00
SW762	11145172T	TACT SWITCH, THVV502GAA	P	1.00
SW763	11145172T	TACT SWITCH, THVV502GAA	P	1.00
SW764	11145172T	TACT SWITCH, THVV502GAA	P	1.00
A003U	150190797	CONSOLE AUTO DPC18 (DP100)	P	1.00
C701	12795101TC	CHEMICON, 25V 100MF 85C 6.3*11	P	1.00
C706	12797100TC	CHEMICON, 50V 10MF 85C 5*11	P	1.00
C721	12085043T	CHEMICON,SMS BP 50V 4.7MF M (5*11)	P	1.00
C722	12085043T	CHEMICON,SMS BP 50V 4.7MF M (5*11)	P	1.00
C723	12797470T	CHEMICON, 50V 47MF 85C 6.3*11	P	1.00
LD701	11113175T	LED, SLR123H Ø3 CLEAR FAA-8.8MM	P	1.00
LD702	11113175T	LED, SLR123H Ø3 CLEAR FAA-8.8MM	P	1.00
LD703	11113175T	LED, SLR123H Ø3 CLEAR FAA-8.8MM	P	1.00
LD704	11113175T	LED, SLR123H Ø3 CLEAR FAA-8.8MM	P	1.00
LD705	11113175T	LED, SLR123H Ø3 CLEAR FAA-8.8MM	P	1.00
LD706	11113175T	LED, SLR123H Ø3 CLEAR FAA-8.8MM	P	1.00
LD707	11113175T	LED, SLR123H Ø3 CLEAR FAA-8.8MM	P	1.00
LD708	11113175T	LED, SLR123H Ø3 CLEAR FAA-8.8MM	P	1.00
LD709	11113175T	LED, SLR123H Ø3 CLEAR FAA-8.8MM	P	1.00
LD710	11113175T	LED, SLR123H Ø3 CLEAR FAA-8.8MM	P	1.00
LD711	11113175T	LED, SLR123H Ø3 CLEAR FAA-8.8MM	P	1.00
LD712	11113175T	LED, SLR123H Ø3 CLEAR FAA-8.8MM	P	1.00
LD713	11113175T	LED, SLR123H Ø3 CLEAR FAA-8.8MM	P	1.00
LD714	11113175T	LED, SLR123H Ø3 CLEAR FAA-8.8MM	P	1.00
LD715	11113175T	LED, SLR123H Ø3 CLEAR FAA-8.8MM	P	1.00
LD716	11113175T	LED, SLR123H Ø3 CLEAR FAA-8.8MM	P	1.00
LD717	11113175T	LED, SLR123H Ø3 CLEAR FAA-8.8MM	P	1.00
LD718	11113187	LED,SLG123 Ø3 FAA-14MM(8.8MM)	P	1.00
LD719	11113175T	LED, SLR123H Ø3 CLEAR FAA-8.8MM	P	1.00
LD720	11113188	LED, SLR123 Ø3 FAA-14MM(8.8MM)	P	1.00
LD721	11113175T	LED, SLR123H Ø3 CLEAR FAA-8.8MM	P	1.00
LD722	11113188	LED, SLR123 Ø3 FAA-14MM(8.8MM)	P	1.00
LD723	11113175T	LED, SLR123H Ø3 CLEAR FAA-8.8MM	P	1.00
LD724	11113188	LED, SLR123 Ø3 FAA-14MM(8.8MM)	P	1.00

MOVING KEY BOARD PARTS LIST

PART NO	STOCK-NO	DESCRIPTION	UNIT	Q'TY
	150090872	PCB ASS'Y MOVING KEY DPA-01	P	1.00
C103	12797100TC	CHEMICON, 50V 10MF 85C 5*11	P	4.00
C203	12797100TC	CHEMICON, 50V 10MF 85C 5*11	P	1.00
C301	12094104	MATAL FILM CAP,PCX2 335M, 0.1UF	P	1.00
C302	12094171A	CERAMIC CAP, AC400V DA17ZF103ZCW	P	1.00
C303	12094171A	CERAMIC CAP, AC400V DA17ZF103ZCW	P	1.00
CN101	11164121	PLUG, 2P 5267-02AX (LWB 0640-02)	P	4.00
CN102	11164121	PLUG, 2P 5267-02AX (LWB 0640-02)	P	4.00
CN103	11164121	PLUG, 2P 5267-02AX (LWB 0640-02)	P	4.00
CN104	11164121	PLUG, 2P 5267-02AX (LWB 0640-02)	P	4.00
CN105	11164121	PLUG, 2P 5267-02AX (LWB 0640-02)	P	4.00
CN106	11164121	PLUG, 2P 5267-02AX (LWB 0640-02)	P	4.00
CN107	11164121	PLUG, 2P 5267-02AX (LWB 0640-02)	P	4.00
CN108	11164121	PLUG, 2P 5267-02AX (LWB 0640-02)	P	4.00
CN109	11164121	PLUG, 2P 5267-02AX (LWB 0640-02)	P	4.00
CN110	11164121	PLUG, 2P 5267-02AX (LWB 0640-02)	P	4.00
CN111	11164121	PLUG, 2P 5267-02AX (LWB 0640-02)	P	4.00
CN112	11164121	PLUG, 2P 5267-02AX (LWB 0640-02)	P	4.00
CN113	11164121	PLUG, 2P 5267-02AX (LWB 0640-02)	P	4.00
CN114	11164121	PLUG, 2P 5267-02AX (LWB 0640-02)	P	4.00
CN115	11164121	PLUG, 2P 5267-02AX (LWB 0640-02)	P	4.00
CN116	11164121	PLUG, 2P 5267-02AX (LWB 0640-02)	P	4.00
CN117	11164121	PLUG, 2P 5267-02AX (LWB 0640-02)	P	4.00
CN118	11164121	PLUG, 2P 5267-02AX (LWB 0640-02)	P	4.00
CN119	11164121	PLUG, 2P 5267-02AX (LWB 0640-02)	P	4.00
CN120	11164121	PLUG, 2P 5267-02AX (LWB 0640-02)	P	4.00
CN121	11164121	PLUG, 2P 5267-02AX (LWB 0640-02)	P	4.00
CN122	11164121	PLUG, 2P 5267-02AX (LWB 0640-02)	P	4.00
CN123	11164656	PLUG, YW396-02-03	P	4.00
CN124	11164123	PLUG, 4P 5267-04AX	P	4.00
CN125	11164656	PLUG, YW396-02-03	P	4.00
CN126	300424015D	HARNESS, 4P 150MM (5264-5395)	P	4.00
CN201	300424015D	HARNESS, 4P 150MM (5264-5395)	P	1.00
CN202	11164656	PLUG, YW396-02-03	P	1.00
CN203	11164658	PLUG, YW396-08	P	1.00
CN204	11164124	PLUG, 5P 5267-05AX (LWB 0640-05)	P	1.00
CN301	11164655	PLUG, YW396-02	P	1.00
CN302	11164655	PLUG, YW396-02	P	1.00
CN303	11164656	PLUG, YW396-02-03	P	1.00
CN304	11164657	PLUG, YW396-03-05	P	1.00
P301	11165054	TERMINAL, GP-881191	P	1.00
P302	11165054	TERMINAL, GP-881191	P	1.00
P303	11165054	TERMINAL, GP-881191	P	1.00
Q123	11116401	IC SOCKET, NIC 40S2.54 WSDIF-40T	P	4.00
Q123A	11118225	IC, 8BIT/8K AT89S52-24PC (DIP40P)	P	4.00
Q201	11116401	IC SOCKET, NIC 40S2.54 WSDIF-40T	P	1.00
Q201A	11118225	IC, 8BIT/8K AT89S52-24PC (DIP40P)	P	1.00
Q204	11119861	IC, PHOTO COUPLER PC900V0NSZX	P	1.00
X101	11153100	CRYSTAL, 24.00000MHZ 30PF-FD HC 13	P	4.00
X201	11153100	CRYSTAL, 24.00000MHZ 30PF-FD HC 13	P	1.00
A006A	150290760	AXIAL DPA-01 MOVING KEY	P	1.00
D101	11115003T	SILICON DIODE, 1N4004	P	4.00
D102	11115003T	SILICON DIODE, 1N4004	P	4.00
D103	11115003T	SILICON DIODE, 1N4004	P	4.00
D104	11115003T	SILICON DIODE, 1N4004	P	4.00
D105	11115003T	SILICON DIODE, 1N4004	P	4.00
D106	11115003T	SILICON DIODE, 1N4004	P	4.00

D107	11115003T	SILICON DIODE, 1N4004	P	4.00
D108	11115003T	SILICON DIODE, 1N4004	P	4.00
D109	11115003T	SILICON DIODE, 1N4004	P	4.00
D110	11115003T	SILICON DIODE, 1N4004	P	4.00
D111	11115003T	SILICON DIODE, 1N4004	P	4.00
D112	11115003T	SILICON DIODE, 1N4004	P	4.00
D113	11115003T	SILICON DIODE, 1N4004	P	4.00
D114	11115003T	SILICON DIODE, 1N4004	P	4.00
D115	11115003T	SILICON DIODE, 1N4004	P	4.00
D116	11115003T	SILICON DIODE, 1N4004	P	4.00
D117	11115003T	SILICON DIODE, 1N4004	P	4.00
D118	11115003T	SILICON DIODE, 1N4004	P	4.00
D119	11115003T	SILICON DIODE, 1N4004	P	4.00
D120	11115003T	SILICON DIODE, 1N4004	P	4.00
D121	11115003T	SILICON DIODE, 1N4004	P	4.00
D122	11115003T	SILICON DIODE, 1N4004	P	4.00
D201	11115024T	SILICON DIODE, 1N4148	P	1.00
A006U	150190800	AUTO, DPA-01 MOVING KEY	P	1.00
C101	12751220T	CHIP CERAMIC CAP, COG 50V 22PF J	P	4.00
C102	12751220T	CHIP CERAMIC CAP, COG 50V 22PF J	P	4.00
C104	12752104T	CHIP CERAMIC CAP, X7R 25V 0.1MF K	P	4.00
C105	12752104T	CHIP CERAMIC CAP, X7R 25V 0.1MF K	P	4.00
C106	12752104T	CHIP CERAMIC CAP, X7R 25V 0.1MF K	P	4.00
C107	12752104T	CHIP CERAMIC CAP, X7R 25V 0.1MF K	P	4.00
C108	12752104T	CHIP CERAMIC CAP, X7R 25V 0.1MF K	P	4.00
C201	12751220T	CHIP CERAMIC CAP, COG 50V 22PF J	P	1.00
C202	12751220T	CHIP CERAMIC CAP, COG 50V 22PF J	P	1.00
C204	12751101T	CHIP CERAMIC CAP, COG 50V 100PF J	P	1.00
C205	12751101T	CHIP CERAMIC CAP, COG 50V 100PF J	P	1.00
C206	12752104T	CHIP CERAMIC CAP, X7R 25V 0.1MF K	P	1.00
C207	12752104T	CHIP CERAMIC CAP, X7R 25V 0.1MF K	P	1.00
L201	11106003T	CHIP BEAD CORE, HB-1M1608-601JT	P	1.00
L202	11106003T	CHIP BEAD CORE, HB-1M1608-601JT	P	1.00
Q101	11114490T	MOSFET, STD12NF06, DPAK	P	4.00
Q102	11114490T	MOSFET, STD12NF06, DPAK	P	4.00
Q103	11114490T	MOSFET, STD12NF06, DPAK	P	4.00
Q104	11114490T	MOSFET, STD12NF06, DPAK	P	4.00
Q105	11114490T	MOSFET, STD12NF06, DPAK	P	4.00
Q106	11114490T	MOSFET, STD12NF06, DPAK	P	4.00
Q107	11114490T	MOSFET, STD12NF06, DPAK	P	4.00
Q108	11114490T	MOSFET, STD12NF06, DPAK	P	4.00
Q109	11114490T	MOSFET, STD12NF06, DPAK	P	4.00
Q110	11114490T	MOSFET, STD12NF06, DPAK	P	4.00
Q111	11114490T	MOSFET, STD12NF06, DPAK	P	4.00
Q112	11114490T	MOSFET, STD12NF06, DPAK	P	4.00
Q113	11114490T	MOSFET, STD12NF06, DPAK	P	4.00
Q114	11114490T	MOSFET, STD12NF06, DPAK	P	4.00
Q115	11114490T	MOSFET, STD12NF06, DPAK	P	4.00
Q116	11114490T	MOSFET, STD12NF06, DPAK	P	4.00
Q117	11114490T	MOSFET, STD12NF06, DPAK	P	4.00
Q118	11114490T	MOSFET, STD12NF06, DPAK	P	4.00
Q119	11114490T	MOSFET, STD12NF06, DPAK	P	4.00
Q120	11114490T	MOSFET, STD12NF06, DPAK	P	4.00
Q121	11114490T	MOSFET, STD12NF06, DPAK	P	4.00
Q122	11114490T	MOSFET, STD12NF06, DPAK	P	4.00
Q124	11119915T	IC, PHILIPS 74HC14D(T) 1K TP	P	4.00
Q125	11119915T	IC, PHILIPS 74HC14D(T) 1K TP	P	4.00
Q126	11119915T	IC, PHILIPS 74HC14D(T) 1K TP	P	4.00
Q127	11119915T	IC, PHILIPS 74HC14D(T) 1K TP	P	4.00

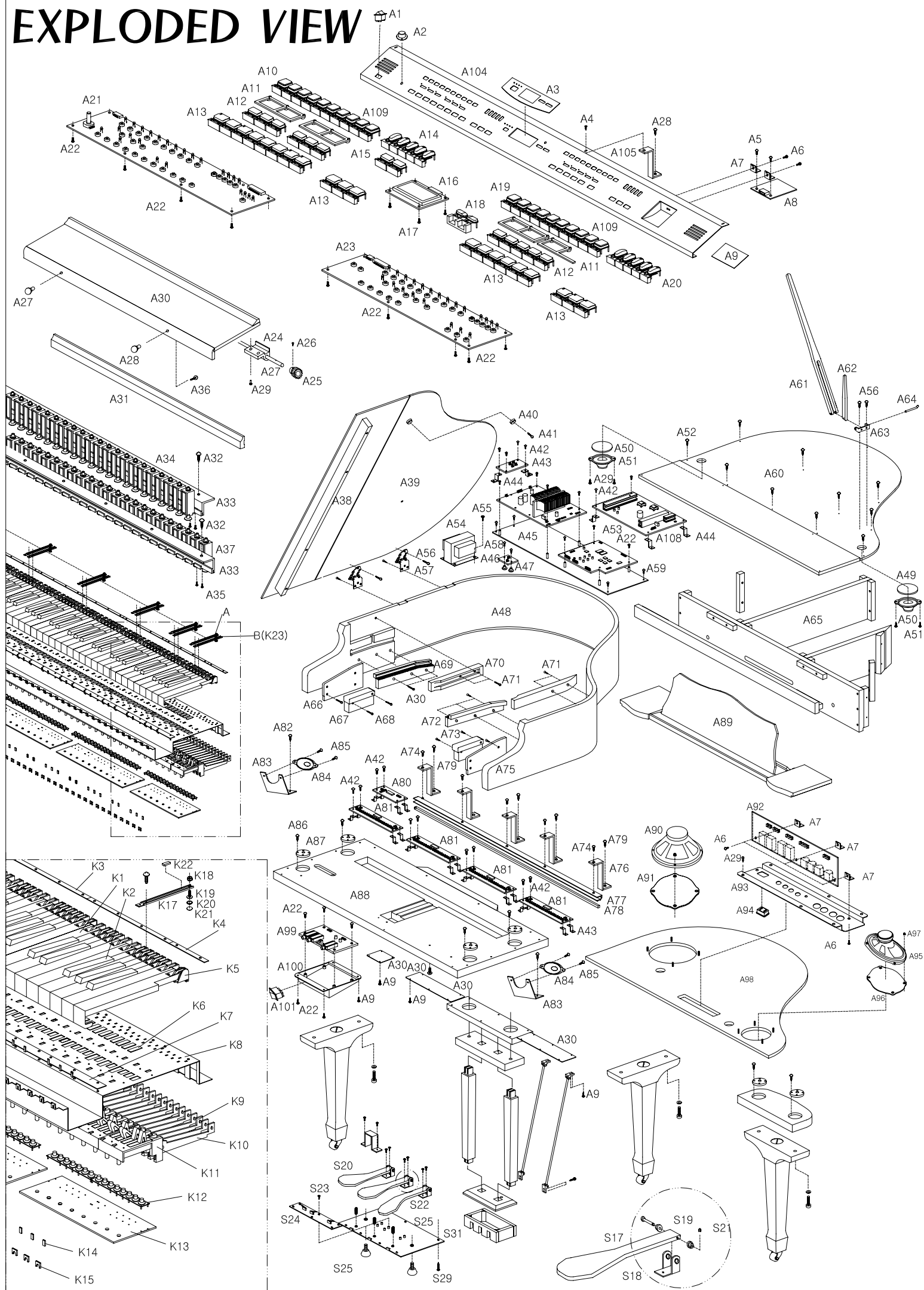
H/P BOARD PARTS LIST

PART NO	STOCK-NO	DESCRIPTION	UNIT	Q'TY
	150090871	H/P & MIC PCB ASS'Y DPR-390	P	1.00
CN501	11164127	PLUG, 8P 5267-08AX (LWB 0640-08)	P	1.00
N110	11961025	SOLDER WIRE, 63SN 3.0MM	G	30.00
N111	11961020	FLUX, JS-64T-3	G	30.00
N112	11964033	SOLVENT, IPA4520	G	5.00
P501	11163120	PHONE JACK, HTJ-064-04B, MOLD	P	1.00
P502	11163120	PHONE JACK, HTJ-064-04B, MOLD	P	1.00
P503	11163120	PHONE JACK, HTJ-064-04B, MOLD	P	1.00
Q501	11119187	IC, DUAL OP AMP KIA75558P(KIA4558P)	P	1.00
VR1	12060265	V/R, 09RV 25SQ B10K	P	1.00
A005U	150190799	H/P & MIC, AUTO DPR-390	P	1.00
C501	12232104T	CERAMIC CAPACITOR, F 50V 0.1MF Z	P	1.00
C502	12353221T	CERAMIC CAPACITOR, CH 50V 220PF J	P	1.00
C503	12353221T	CERAMIC CAPACITOR, CH 50V 220PF J	P	1.00
C504	12797100TC	CHEMICON, 50V 10MF 85C 5*11	P	1.00
C505	12797100TC	CHEMICON, 50V 10MF 85C 5*11	P	1.00
C506	12232104T	CERAMIC CAPACITOR, F 50V 0.1MF Z	P	1.00
C507	12636010T	CHEMICAL CONDENSER, 04W 50V 1MF	P	1.00
C508	12636010T	CHEMICAL CONDENSER, 04W 50V 1MF	P	1.00
C509	12232104T	CERAMIC CAPACITOR, F 50V 0.1MF Z	P	1.00
A005A	150290759	H/P & MIC, AXIAL DPR-390	P	1.00
J501	11183004	PLATING WIRE, 0.6MM	M	0.05
R501	12368101T	CARBON RESISTOR, SB 1/6W 100 OHM J	P	1.00
R502	12368203T	CARBON RESISTOR, SB 1/6W 20K OHM J	P	1.00
R503	12368203T	CARBON RESISTOR, SB 1/6W 20K OHM J	P	1.00
R504	12368101T	CARBON RESISTOR, SB 1/6W 100 OHM J	P	1.00
R505	12368102T	CARBON RESISTOR, SB 1/6W 1K OHM J	P	1.00
R506	12368682T	CARBON RESISTOR, SB 1/6W 6.8K OHM J	P	1.00
R507	11183004	PLATING WIRE, 0.6MM	M	0.05
R508	12368222T	CARBON RESISTOR, SB 1/6W 2.2K OHM J	P	1.00
R509	12321681T	OXIDE RESISTOR, B 1/2W 680 OHM J	P	1.00
R510	12321681T	OXIDE RESISTOR, B 1/2W 680 OHM J	P	1.00
R511	12321681T	OXIDE RESISTOR, B 1/2W 680 OHM J	P	1.00
R512	12321681T	OXIDE RESISTOR, B 1/2W 680 OHM J	P	1.00
U005	11896059	PCB, DPH02 H/P & MIC 390	P	1.00

CASE ASS'Y PARTS LIST

PART NO	STOCK-NO	DESCRIPTION	UNIT	Q'TY
K556	306202130R	HARNESS 6P 1300MM(5264-5264) SHIELD	P	2
K557	30239615R	HARNESS, 2P 150MM(YH396-03*2)	P	4
K557A	30239630R	HARNESS, 2P 300MM(YH396-03*2)	P	1
K557B	30339650R	HARNESS, 3P 500MM(YH396-05*2)	P	1
K557C	30839680R	HARNESS, 8P 800MM(YH396-08*2)	P	1
K557D	30475520R	HARNESS, 4P 200MM(5239*2)	P	1
K557E	30105135R	CONNECTOR ASSY, RING TERMINAL 350MM	P	1
K557G	11215008R	SMPS,PV-DY22024PS(DC24V8A,DC5V2A)	P	1
K570J	11830001R	SOLENOID A (ROHS)	P	42
K570O	11830002R	SOLENOID B (ROHS)	P	42
P006A	11113195R	LCD MODULE MBC20401B03 (20C*4L)	P	1
P006C	11165050R	PLUG, 16P, 5268-16A (LAB0640-16)	P	1
P006D	31625760R	HARNESS,16P 600MM (5264-5264)	P	1
Y805	11176186R	AC CORD, KKP650-KKS16A (영국)	P	1
Y806	11810015	USB MEMORY 2.0 256MB(FD-02U2)	P	1
Y807	11810016	REMOCON	P	1

EXPLODED VIEW



PART LIST (390 GRAND 142)

SET ASS'Y			NO	Part Number	Description
A1	11834290R	POWER S/W ASS'Y 1200MM	A81		SOLENOIDE PCB
A2	11826203	KNOB VOLUME 500(BLK).도장	A82	11023008R	SCREW. BTA 4*12 SBN(SP)
A3	11845601A	PLATE WINDOWS 390 (영문)-A	A83	11865904	BRACKET.TWEETER 380
A4	11774306R	SCREW. PB 3*6 SBN	A84	11151200R	SPEAKER. SPK2114(CST5T90042) 8Ω40W
A5	11032392BR	SCREW. TTB 3*6 SBN	A85	11773408R	SCREW. PB 4*0.7*8 SBN (ROHS)
A6	11774206R	SCREW. PB 2*0.4*6	A86	11719425	SCREW PSTA 4X25 SBN
A7	11847948	BRACKET. PCB SUPPORT	A87	11865611	NUT LEG M10
A8		USB PCB	A88		KEY BED WOOD
A9	11849042	SPEAKET NET. 940	A89		DESK BOARD WOOD ASS'Y
A10	11826217	K/BLOCK 100B(STYLE).영.투.DP83S370	A90	11151206R	SPEAKER. WOOFER SP1050N(10")
A11	11816990	LED INDICATOR. 930-2	A91	11865901	SPK GRILL 380 (대)
A12	11826288	K/BLOCK 200B-1(낮음)	A92		JACK PCB ASS'Y
A13	11826208	KNOB BLOCK 200A-2(BLK)	A93	11866024	BRKT.JACK PANEL 390(영문)220V.50HZ
A14	11826198R	KNOB BLOCK 100A-2(도금)(ROHS)	A94	11163131	AC JACK RONGFENG SS-120
A15	11826288	K/BLOCK 200B-1(낮음)	A95	11151186R	SPEAKER. SPK2103 6*9 INCH 8 OHM
A16	11113195R	LCD MODULE MBC20401B03 (20C*4L)	A96	11865902	SPK GRILL 380 (중)
A17	11774206R	SCREW. PB 2*0.4*6	A97	11040015R	NUT. SPECIAL M4.0*12 SZN
A18	11826202R	K/BLOCK 100C-1(도금+인쇄)2CAVITY(R)	A98		KEY BED WOOD BACK
A19	11826214	K/BLOCK 100B (VOICE).영.투.DP83S370	A99		HEADPHONE PCB ASS'Y
A20	11826213R	KNOB BLOCK 100A-1(도금)(ROHS)	A100	11865994	BRACKET.HEAD PHONE BOX 390 (영문)
A21		CONSOLE PCB ASS'Y 1	A101	11834290R	POWER S/W ASS'Y 1200MM
A22	11774306R	SCREW. PB 3*6 SBN	A102	11865995	BRACKET.130X94X1T
A23		CONSOLE PCB ASS'Y 2	A103	11866025	BRACKET.350X88X1.2T
A24	11847851	HOLDER. SHAFT	A104	11866005	CONSOLE PANEL BODY SG84S391B
A25	11884003	GEAR. MOLD 930	A105	11865997	BRACKET.CONSOLE STOPPER 390 (142)
A26	11714308R	SCREW. PS 3*0.5*8 SZN	A106	11779440R	SCREW. PPW 4*0.7*40 SBN (ROHS)
A27	11881012	SHAFT FALL BOARD.GRAND 390(142)	A107	11719425R	SCREW. PSTA 4*25 SBN
A28	11865891	HANDLE FALL BOARD 380	A108		SMPS PCB ASS'Y
A29	11023001R	SCREW. BTA 3.5*16 SBN	A109	11826212	K/BLOCK 100B(V/STY).영.투.DP83S370
A30		FALL BOARD WOOD	STAND ASS'Y		
A31		KEY SLIP WOOD	NO	Part Number	Description
A32	11023325R	SCREW. BTA 3.5*25 SBN	S1		LEG WOOD 380 ASS'Y(BLK)
A33	11866001	BRKT.SOLENOID FIXER A	S2		LEG SUPPORT 1 WOOD
A34	11830001R	SOLENOID A (ROHS)	S3		LEG SUPPORT 2 WOOD
A35	11032381R	SCREW. TTB 3*8 SZN	S4		PEDAL SUPPORT WOOD BLK
A36	11712421	SCREW. PP 4*20 SZN (INCH)	S5		PEDAL SUPPORT GOLD
A37	11830002R	SOLENOID B (ROHS)	S6	11719425R	SCREW. PSTA 4*25 SBN
A38		TOP BOARD FRONT WOOD ASS'Y	S7		PEDAL BOX UP
A39		TOP BOARD BACK WOOD ASS'Y	S8		PEDAL BOX LOWER
A40		BRKT SUPPORT	S9	11712412R	SCREW. PP 4*0.7*12 SBN
A41	11023412	SCREW. BTA 4*12 (GOLD)	S10		PEDAL PCB ASS'Y
A42	11032392BR	SCREW. TTB 3*6 SBN	S11	11865894	PEDAL SUPPORT (조절발) 380
A43	11865940	BRACKET SOUND PCB FIXER (380UP)	S12	11719570	SCREW PSTA 5*70 SZN
A44		POWER PCB	S13	11865909	BRACKET PEDAL CHASSIS 380
A45	11866004	BRACKET.CHASSIS 390	S14	11865910	BRACKET PEDAL FLANGE 380
A46		NETWORK PCB	S15	11032381R	SCREW. TTB 3*8 SZN
A47	11826495	KNOB. P/F BUSHING 380	S16	11865912	BRACKET PEDAL STOPPER 380
A48		RIM WOOD ASS'Y	S17	11865911	SHAFT PEDAL 380
A49	11865903	SPK GRILL 380 (소)	S18	11826495	KNOB. P/F BUSHING 380
A50	11151200R	SPEAKER. SPK2114(CST5T90042)	S19	11834301	E-RING
A51	11023008R	SCREW. BTA 4*12 SBN(SP)	S20	11865914	PEDAL START/STOP 380
A52	11023325R	SCREW. BTA 3.5*25 SBN	S21	11865913	PEDAL SOFT 380
A53		SOUND PCB	S22	11834329	SPRING. PEDAL 380
A54	11215007R	TRANS.DN-8550(AC120/230.50/60HZ)	S23	11052016	WASHER. 20*1T
A55	11779440R	SCREW. PPW 4*0.7*40 SBN (ROHS)	S24	11033328	BOLT(L).M10*60 SBN
A56	11023412	SCREW. BTA 4*12 (GOLD)	S25	11865915	PEDAL SUSTAIN 380
A57	11865632	BRACKET. HINGE TOP BOARD	PIANO KEY(HWS)		
A58	11023004R	SCREW. BTAW 3.5*16 SBN	NO	Part Number	Description
A59	11023008R	SCREW. BTA 4*12 SBN(SP)	K1	11858808	WHITE KEY A1.A.B.C.D.E.F.G.C1
A60		BACK BOARD WOOD	K2	11858817	BLACK KEY
A61		SUPPORT L WOOD	K3	11847957	BRKT STOPPER DP
A62		SUPPORT S WOOD	K4	11847958	BRKT STOPPER (58)
A63	11865619	BRKT HINGE TOP	K5	11858818	KEY MOUNT
A64	11884015	SHAFT HINGE	K6	11847982A	SLIDE CUSHION
A65		BLOCK WOOD ASS'Y	K7	11847986	BRKT GUIDE RAIL
A66		SIDE ARM BLOCK-L WOOD	K8	11834297	KEY FRAME
A67		KEY BLOCK-L WOOD	K9	11847991	HAMMER WEIGHT BLACK
A68	11719435	SCREW PSTA 3.5X35 SBN	K10	11847997	HAMMER WEIGHT WHITE
A69	11826492	MOLD. GEAR RAIL-L 380 (인쇄무)	K11	11858820	KWY FRANGE
A70		GUIDE TOP BOARD WOOD-L	K12	11858821	KEY RUBBER SWITCH
A71	11719435	SCREW PSTA 3.5X35 SBN	K13		KEY PCB 1.2.3.4
A72	11826493	MOLD. GEAR RAIL-R 380 (인쇄무)	K14	11847987	GUIDE BUSHING(B)
A73		KEY BLOCK-R WOOD	K15	11847999	GUIDE BUSHING(W)
A74	11774512R	SCREW. 5X0.8X12 SZN (ROHS)	K16	11034315R	SCREW. PBTB 3*10 SBN
A75		SIDE ARM BLOCK-R WOOD	K17	11865998R	BRACKET.SOLENOID KEY (A) (ROHS)
A76	11866003	BRACKET.SOLENOID STOPPER	K18	11040015R	NUT. SPECIAL M4.0*12 SZN
A77	11866002	BRKT.SOLENOID STOPPER-C	K19	11774412R	SCREW. 4X0.7X12 SZN (ROHS)
A78	11848307	FELT.1232X10X8T	K20	11848313	CUSHION φ11.2X1T
A79	11023325R	SCREW. BTA 3.5*25 SBN	K21	11848314	PVC SHEET φ11.2X0.7 (투명)
A80		SOLENOID POWER PCB	K22	11848308	CUSHION.20X7X3.2T (양모)
			K23	11865999R	BRACKET.SOLENOID KEY (B) (ROHS)