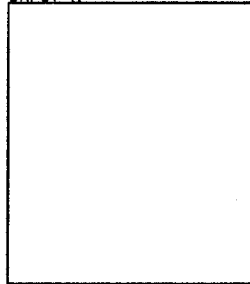
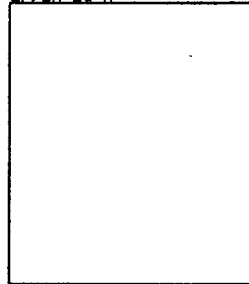


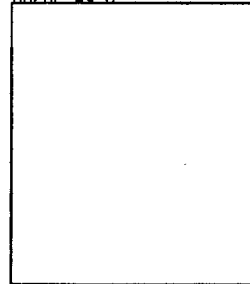
INPUT A



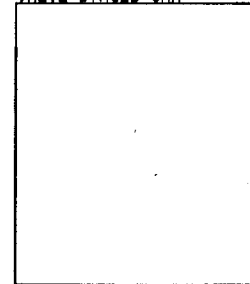
LF/LM EQ A



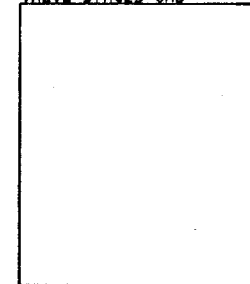
HM/HF EQ A



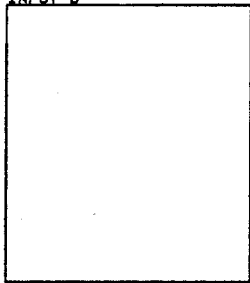
VALVE STAGES CHA



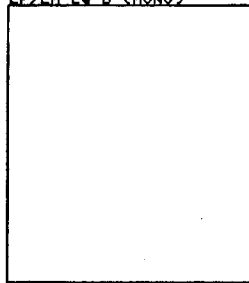
VALVE STAGES CHB



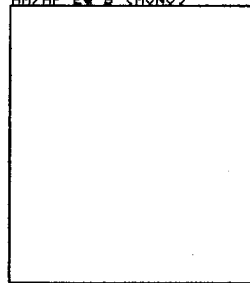
INPUT B



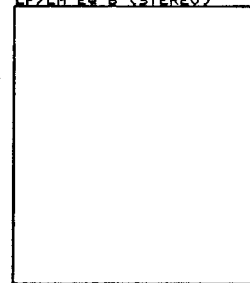
LF/LM EQ B (MONO)



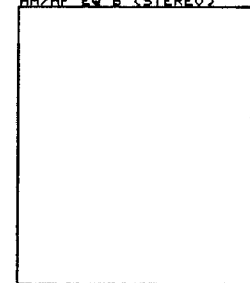
HM/HF EQ B (MONO)



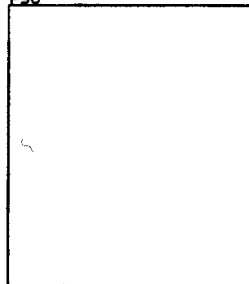
LF/LM EQ B (STEREO)



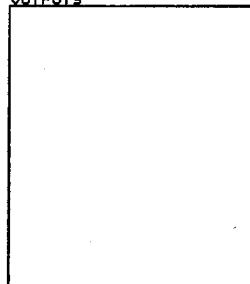
HM/HF EQ B (STEREO)



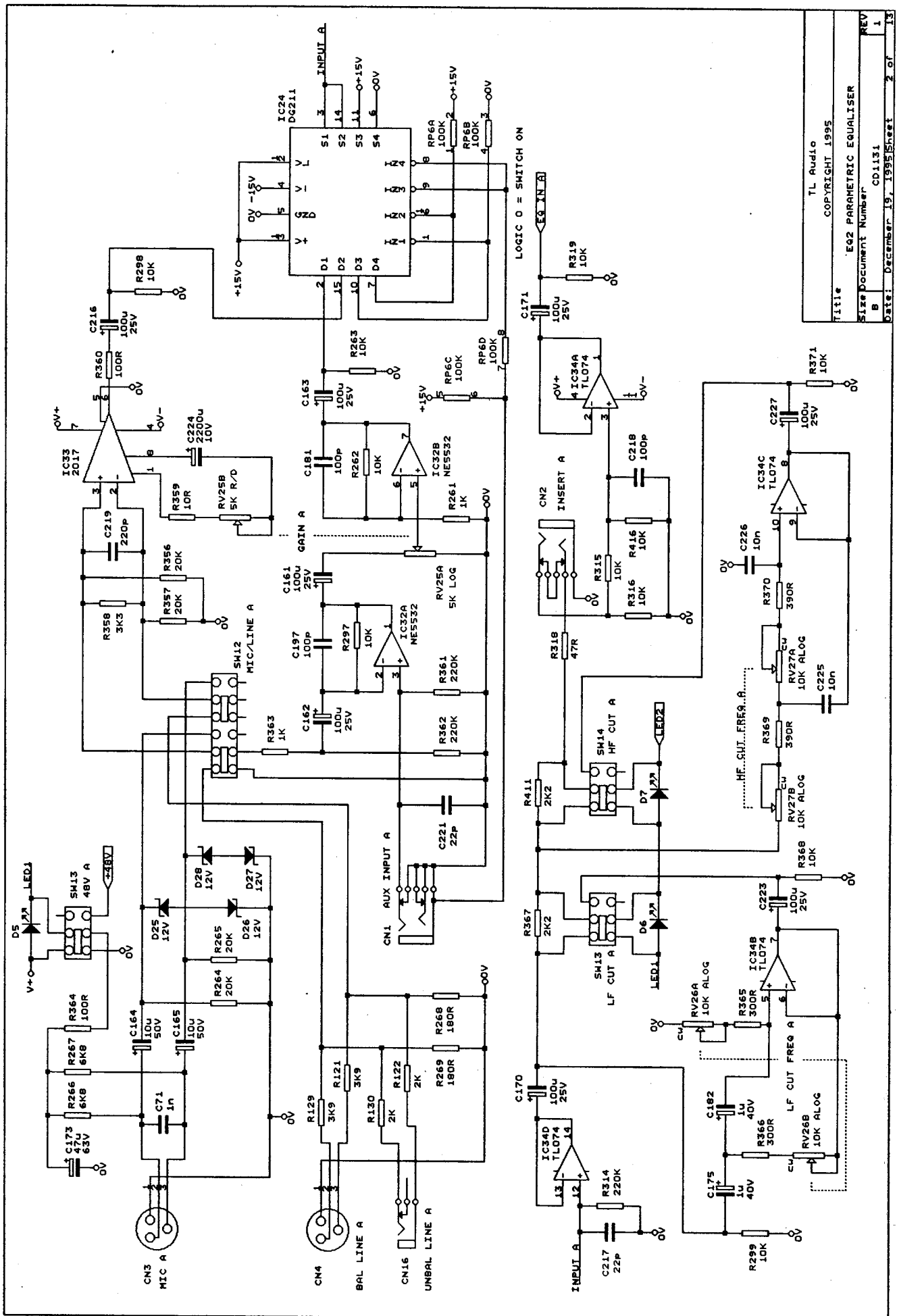
PSU



OUTPUTS

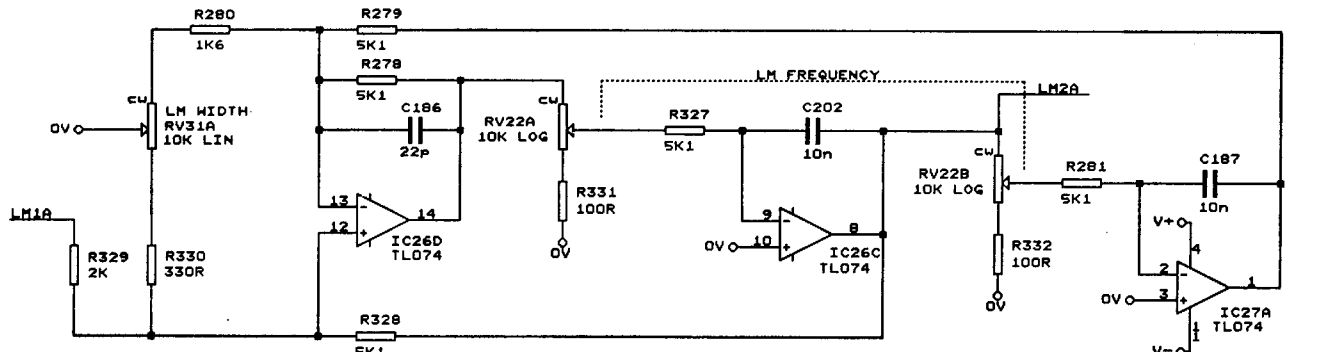
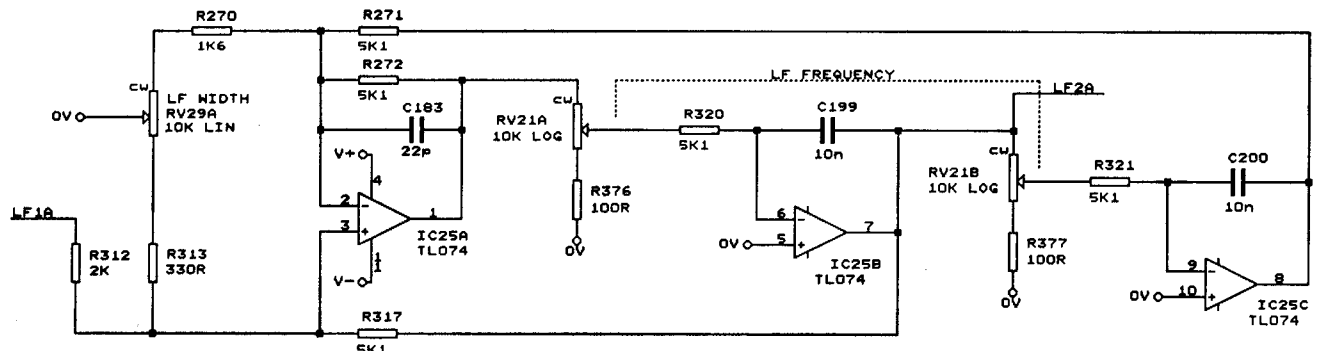
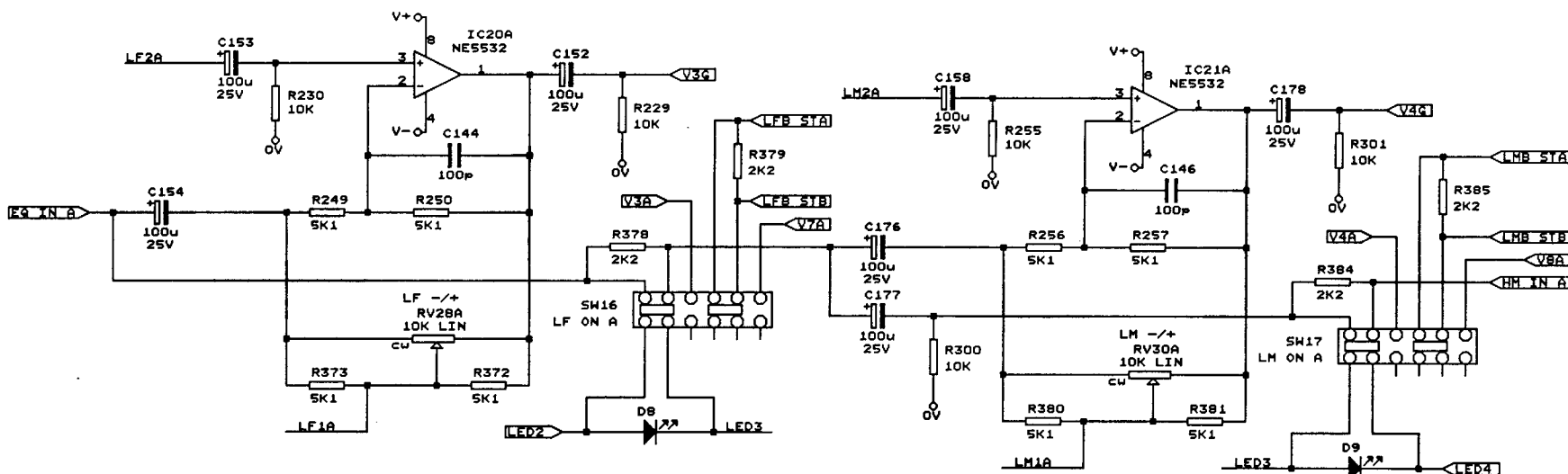


TL Audio		
COPYRIGHT 1995		
Title EQ2 PARAMETRIC EQUALISER		
Size	Document Number	REV
B	CD1131	1
Date:	October 11, 1995	Sheet 1 of 13

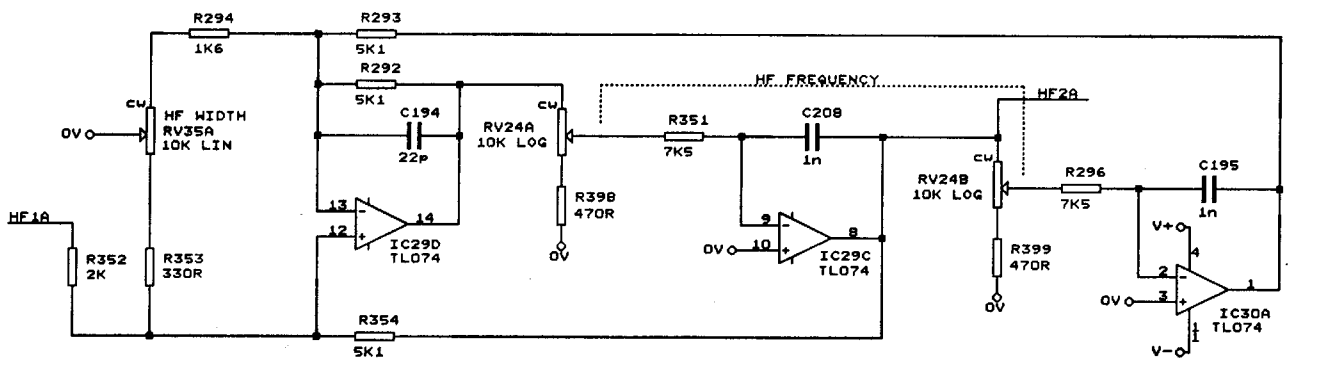
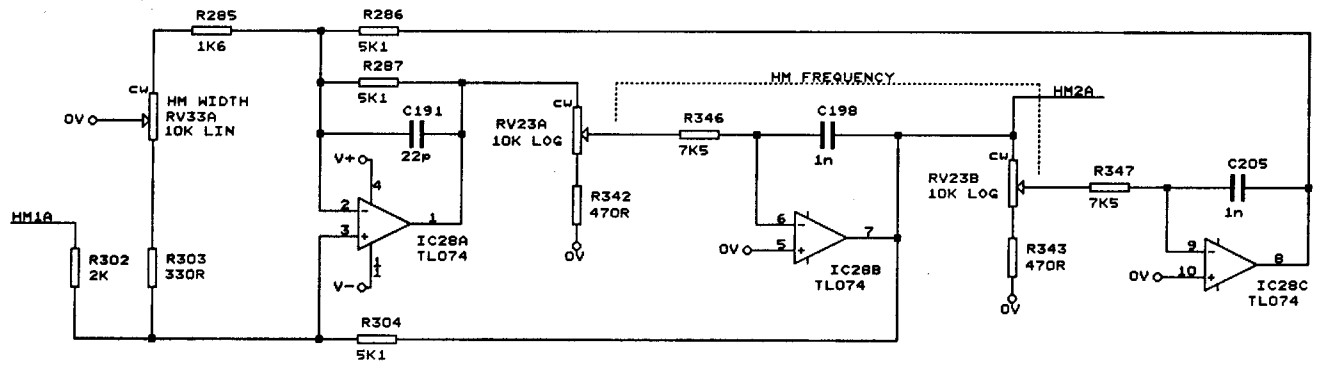
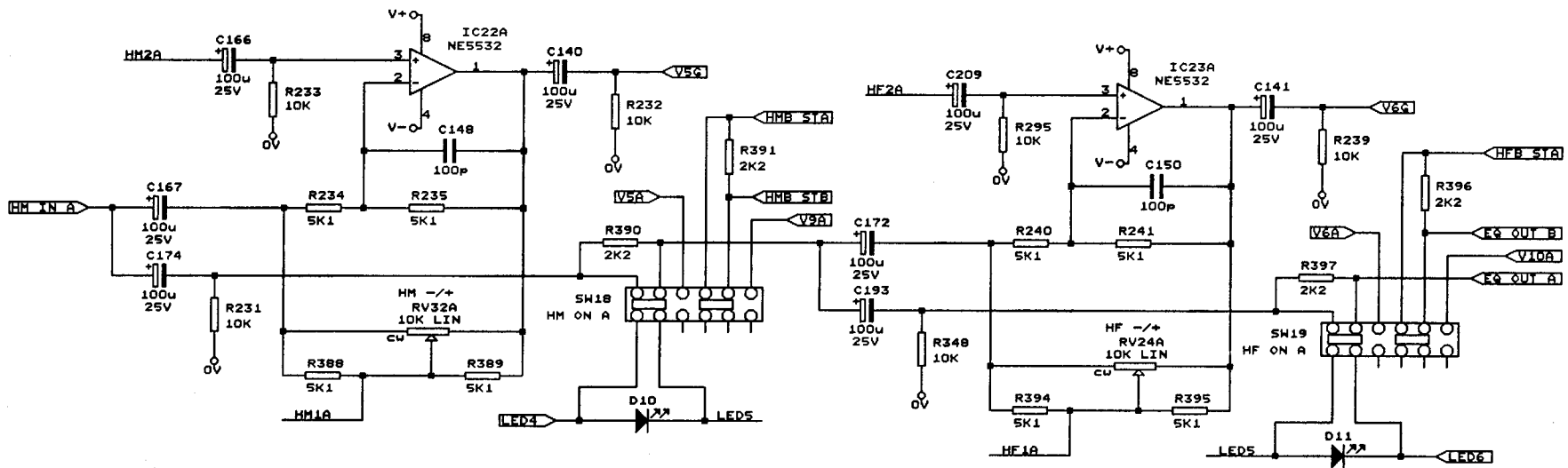


Title EQ2 PARAMETRIC EQUALISER
 Size Document Number CD1131
 B
 Date: December 19, 1995 Sheet 2 of 13

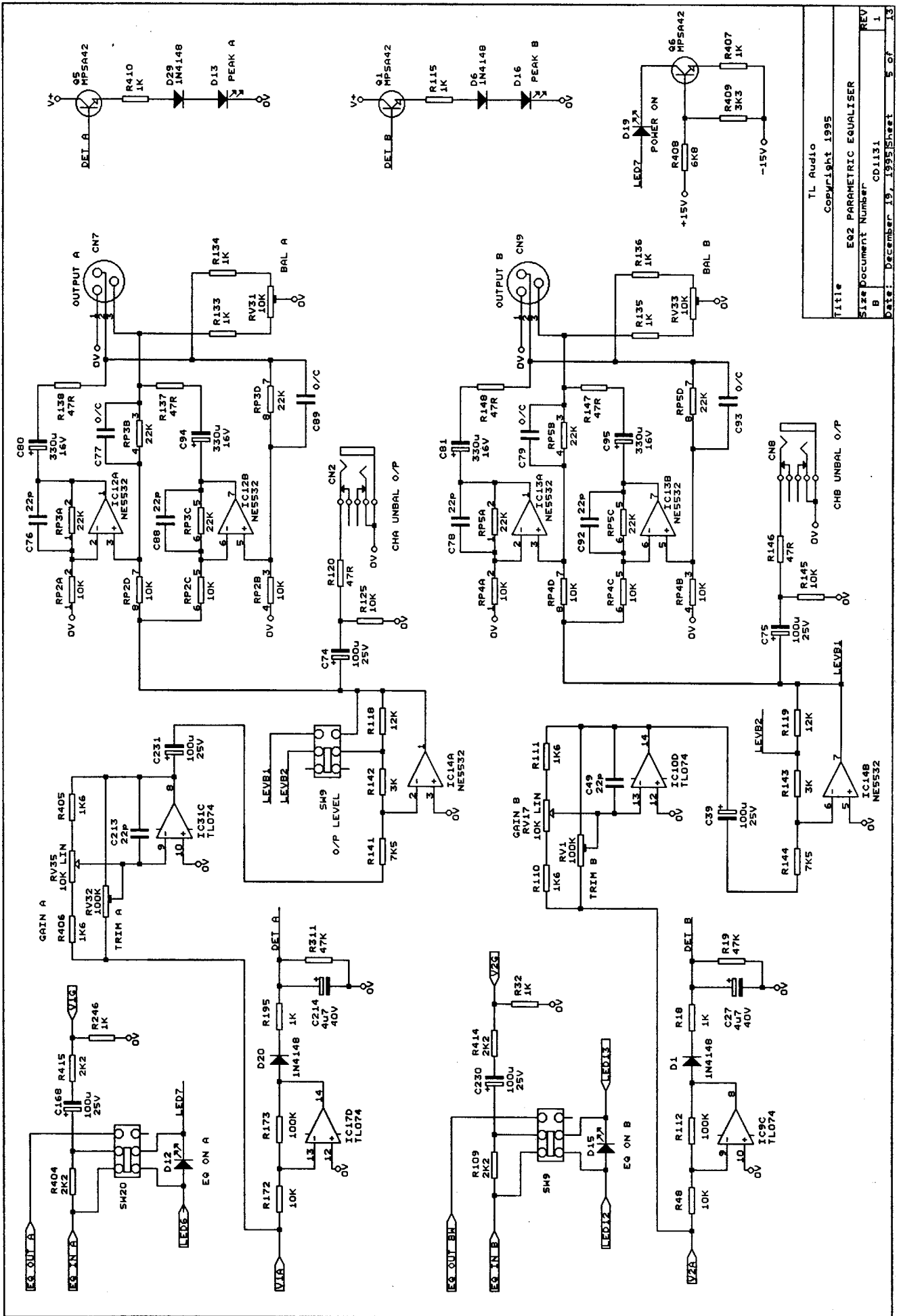
TL Audio
 COPYRIGHT 1995



TL Audio		
COPYRIGHT 1995		
Title EQ2 PARAMETRIC EQUALISER		
Size Document Number		REV
B CD1131		1
Date: November 28, 1995 Sheet 3 of 13		

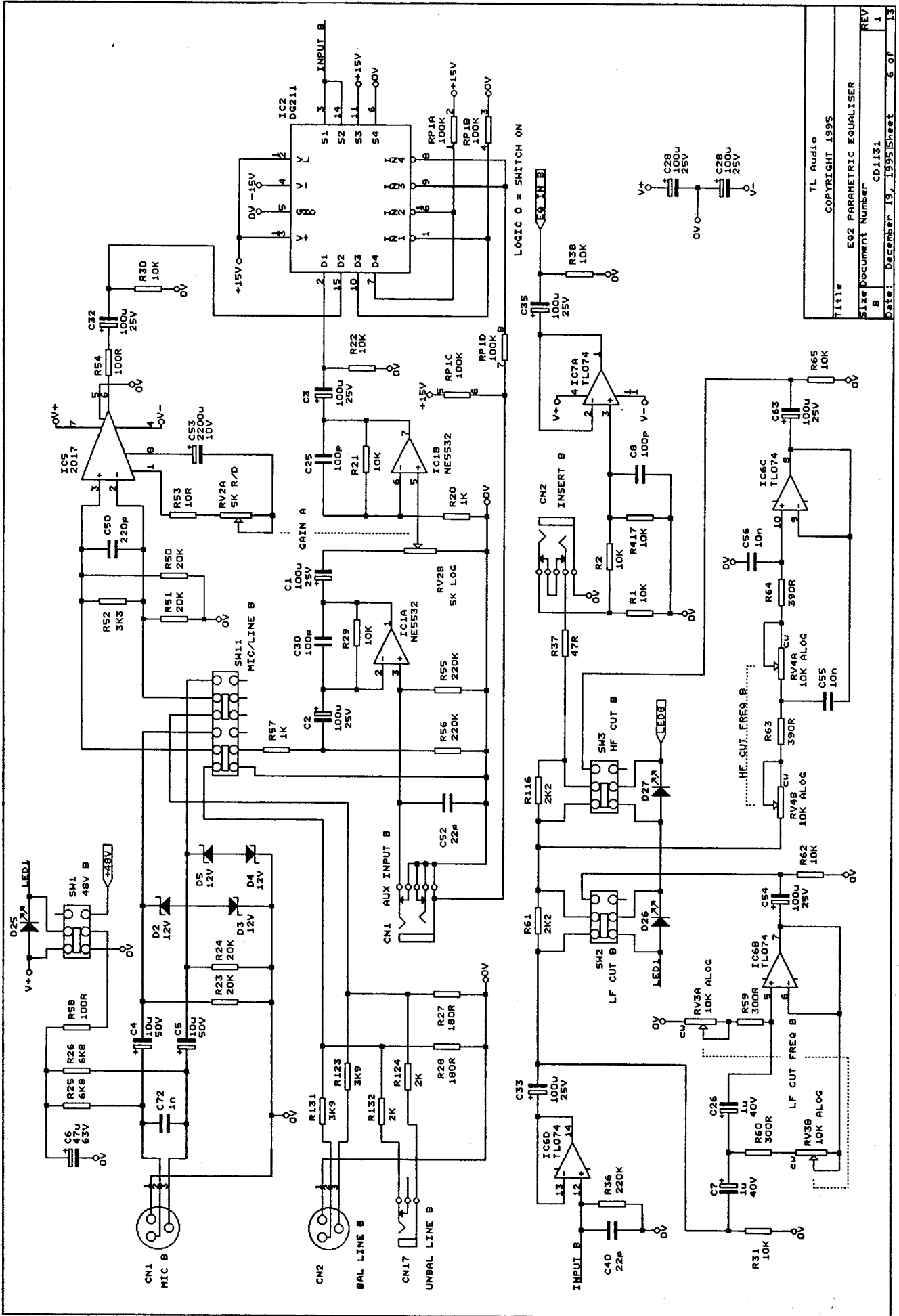


TL Audio COPYRIGHT 1995		
Title EQ2 PARAMETRIC EQUALISER		
Size Document Number		REV
B CD1131		1
Date: November 28, 1995 Sheet 4 of 13		

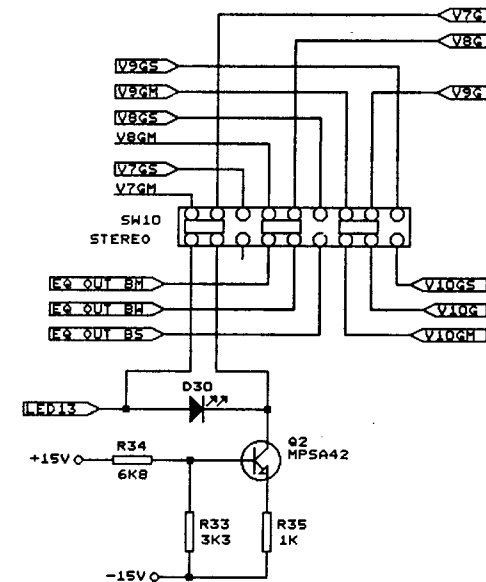
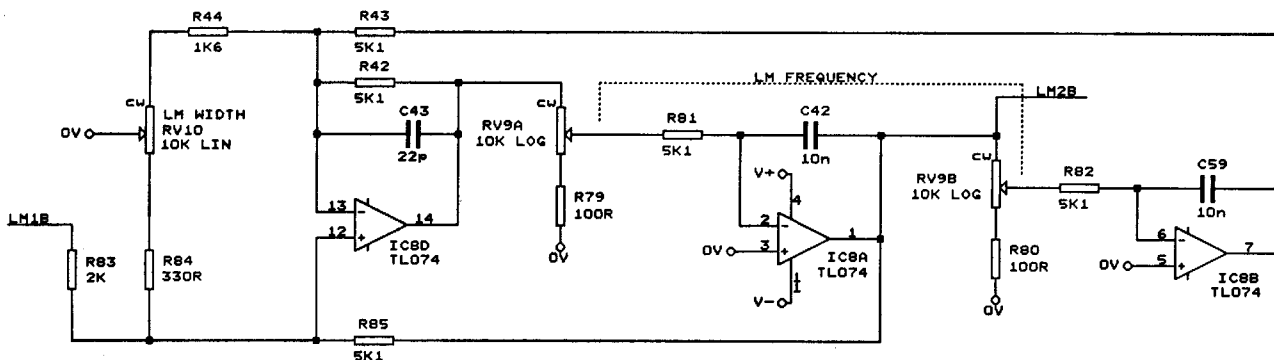
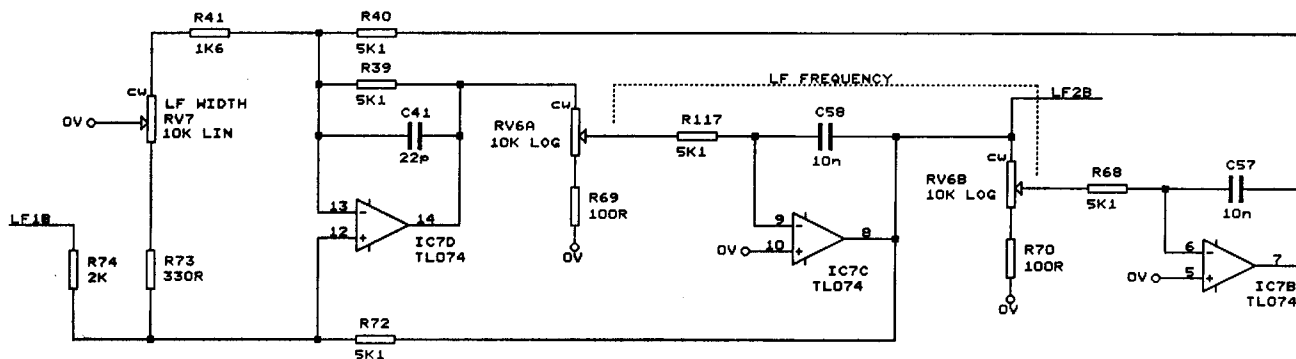
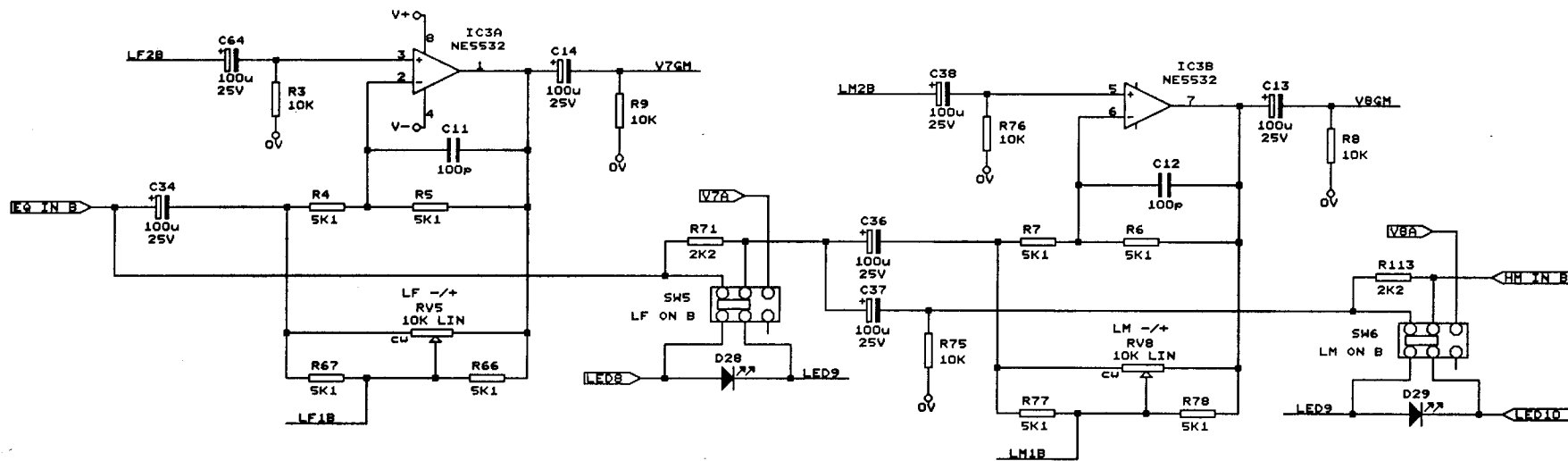


Title EQ2 PARAMETRIC EQUALISER
 Size Document Number CD1131
 B
 Date: December 19, 1995 Sheet 5 of 13

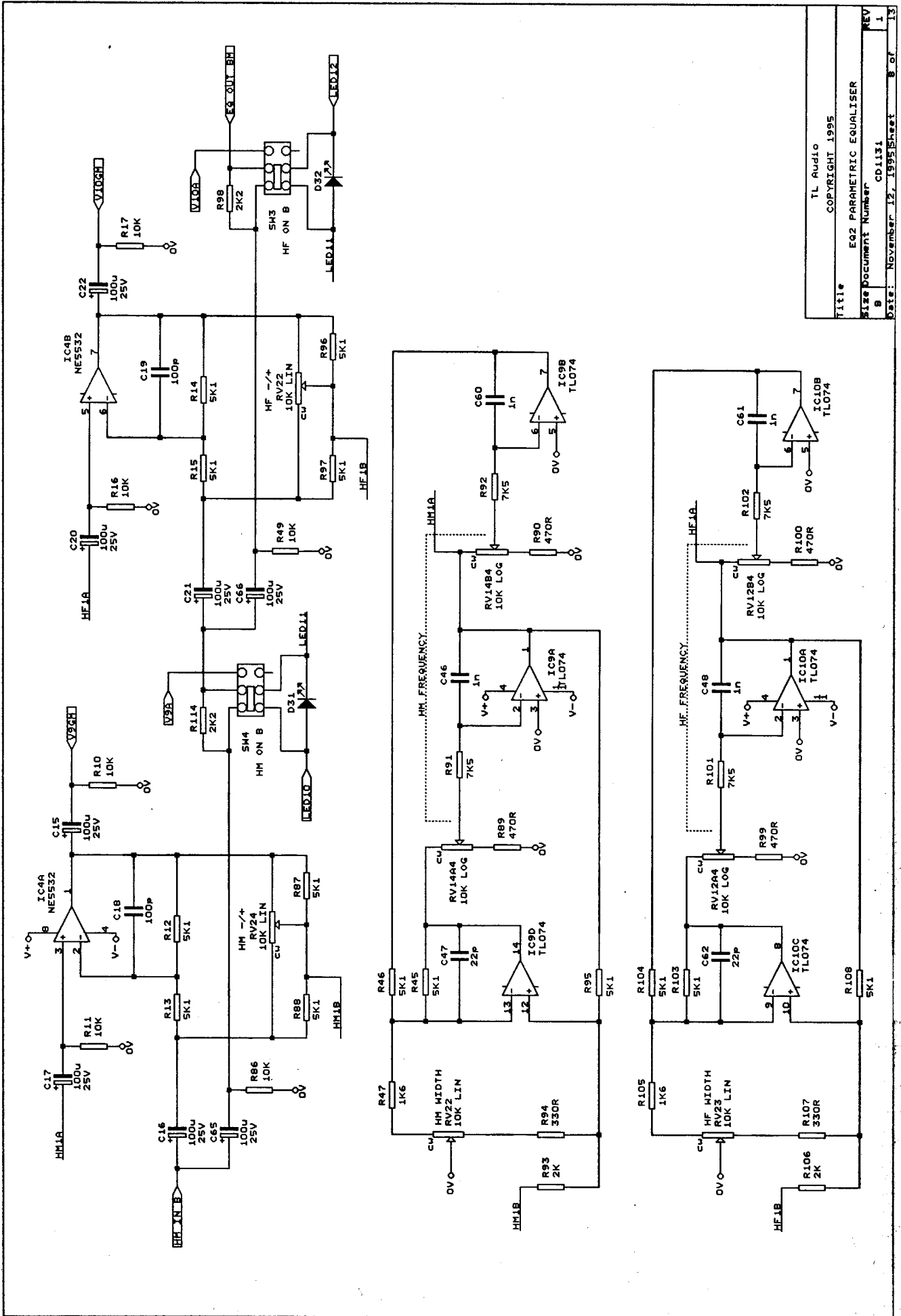
TL Audio
Copyright 1995



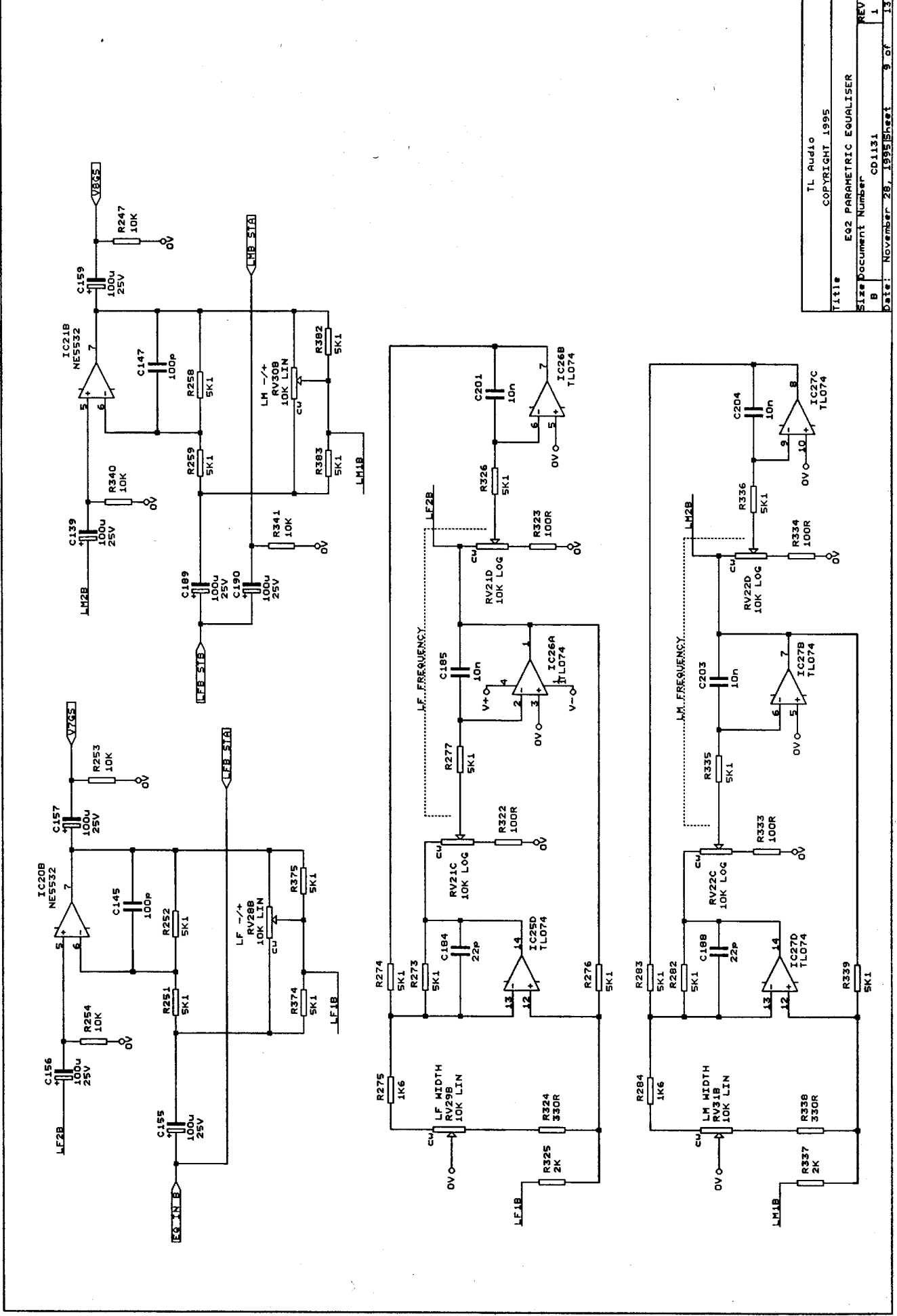
Title TL Audio
 Copyright 1995
 EQ2 PARAMETRIC EQUALISER
 Size Document Number CD1131
 B
 Date: December 19, 1995 Sheet 6 of 11



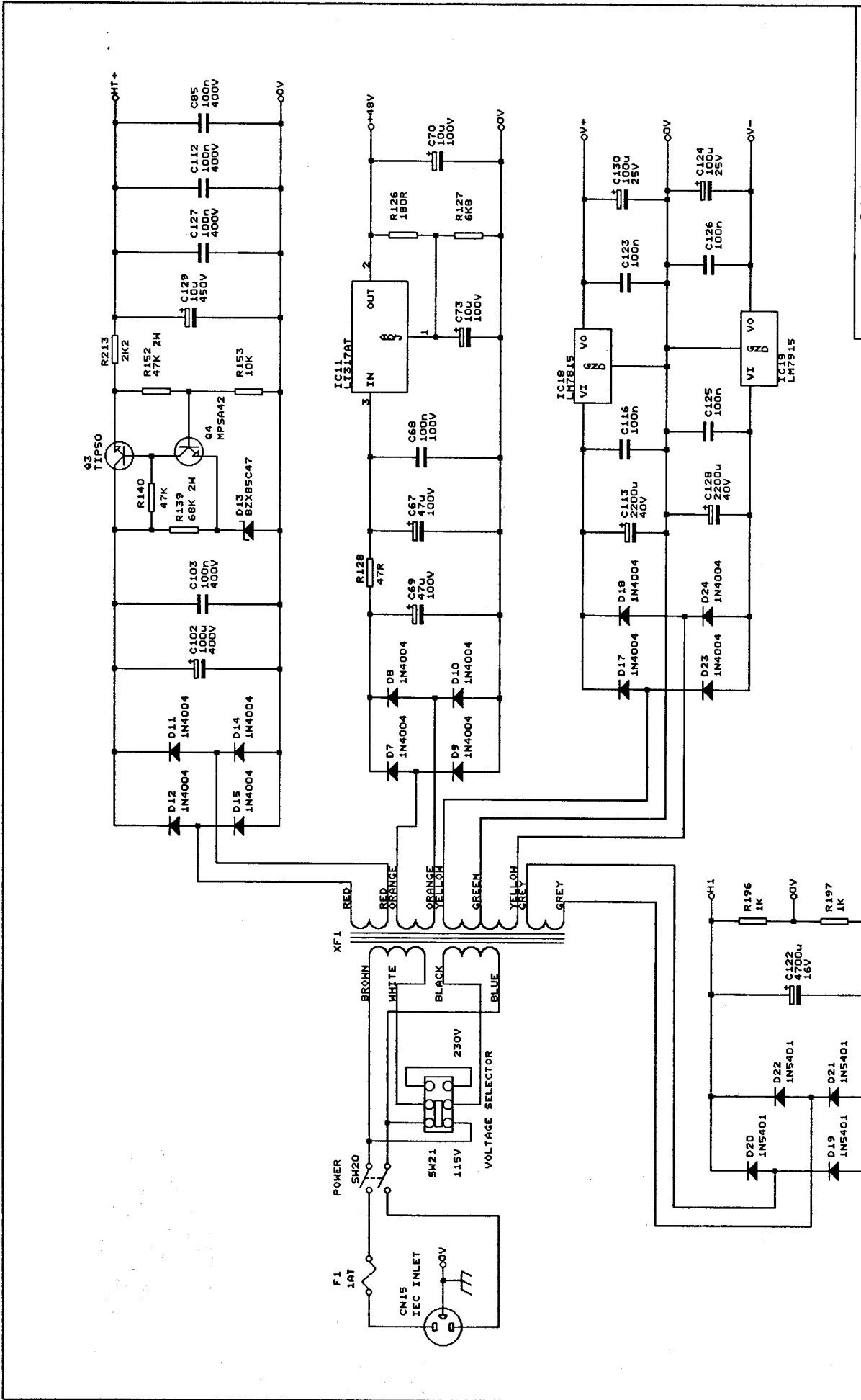
TL Audio	
COPYRIGHT 1995	
Title	EQ2 PARAMETRIC EQUALISER
Size Document Number	CD1131
B	1
Date: November 28, 1995	Sheet 7 of 13



Title TL Audio
 Copyright 1995
 EQ2 PARAMETRIC EQUALISER
 Size Document Number CD1131
 B REV 1
 Date: November 12, 1995 Sheet 8 of 13

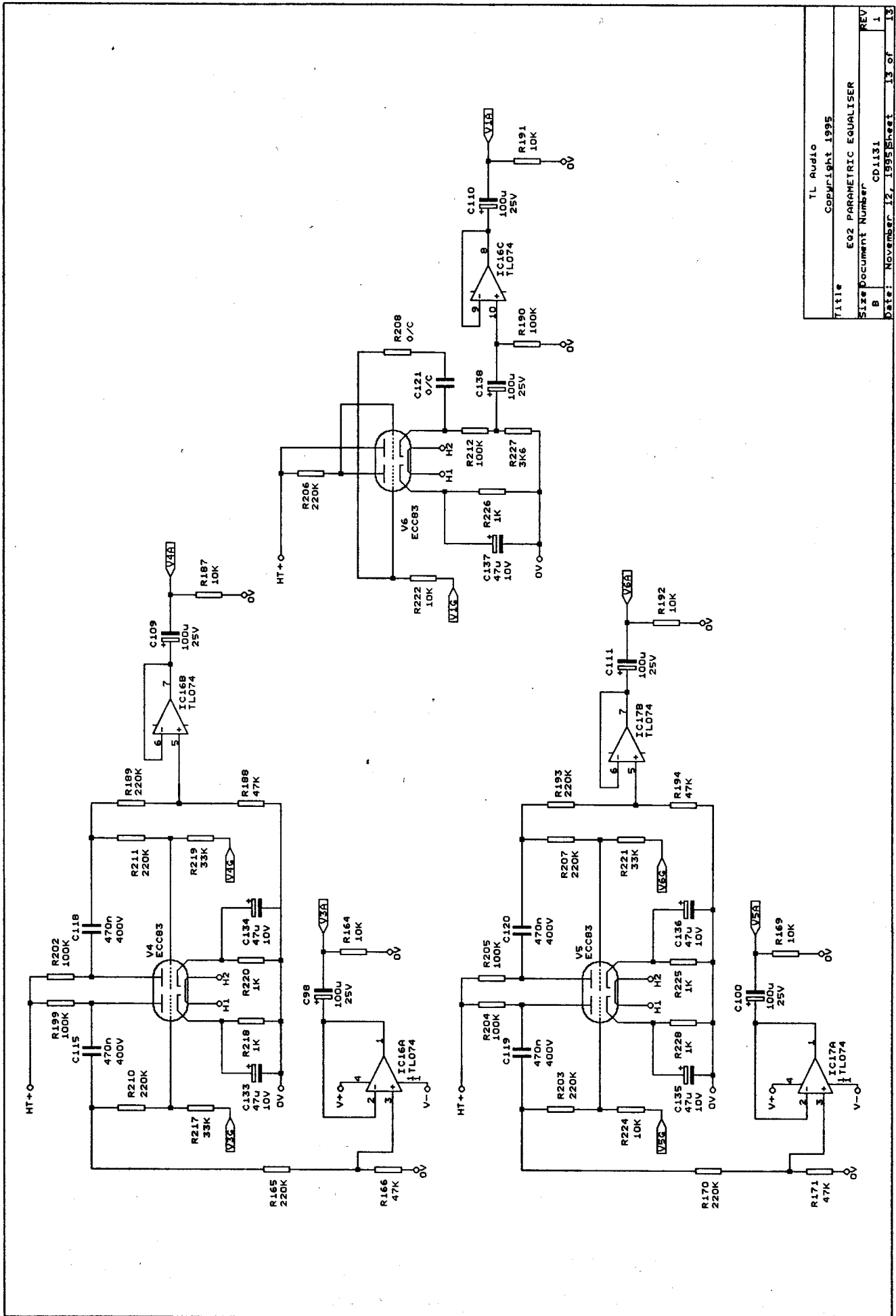


Title TL Audio
 Copyright 1995
 Size Document Number CD1131
 B
 Date: November 28, 1995 Sheet 9 of 13



Title
 E02 PARAMETRIC EQUALISER
 Size Document Number
 B CD1131
 Date: November 1, 1995 Sheet 1 of 1

T L Audio
 COPYRIGHT 1995



Title	TL Audio
Copyright	Copyright 1995
Size	E2 PARAMETRIC EQUALISER
Document Number	CD1131
REV	B
REV	1
Date	November 12, 1995 Sheet 13 of 13