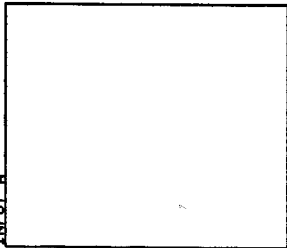
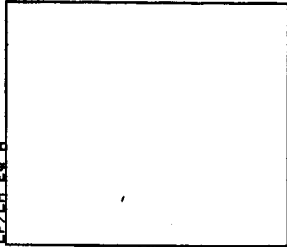


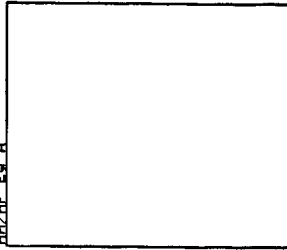
INPUT_A



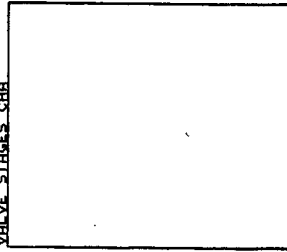
LF/LM_EQ_A



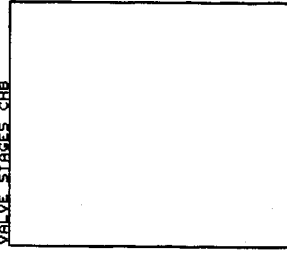
HM/HF_EQ_A



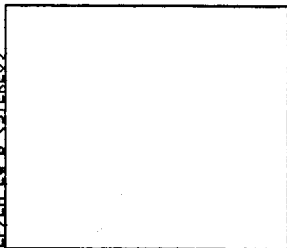
VALVE_STAGES_CHA



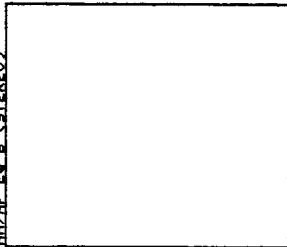
VALVE_STAGES_CHB



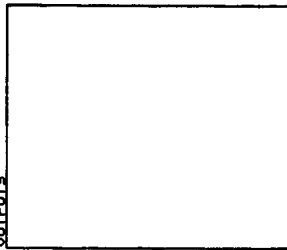
LF/LM_EQ_B (STEREO)



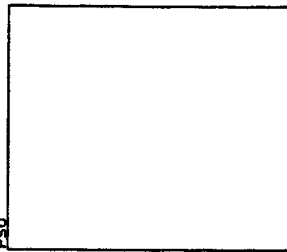
HM/HF_EQ_B (STEREO)



OUTPUTS



PSU



NOTES FOR QUALIFIED SERVICE ENGINEERS

The following voltages exist within this unit under normal working circumstances: 230V (115V) AC Mains and 300V DC. These voltages may take several minutes to decay after the unit is switched off.

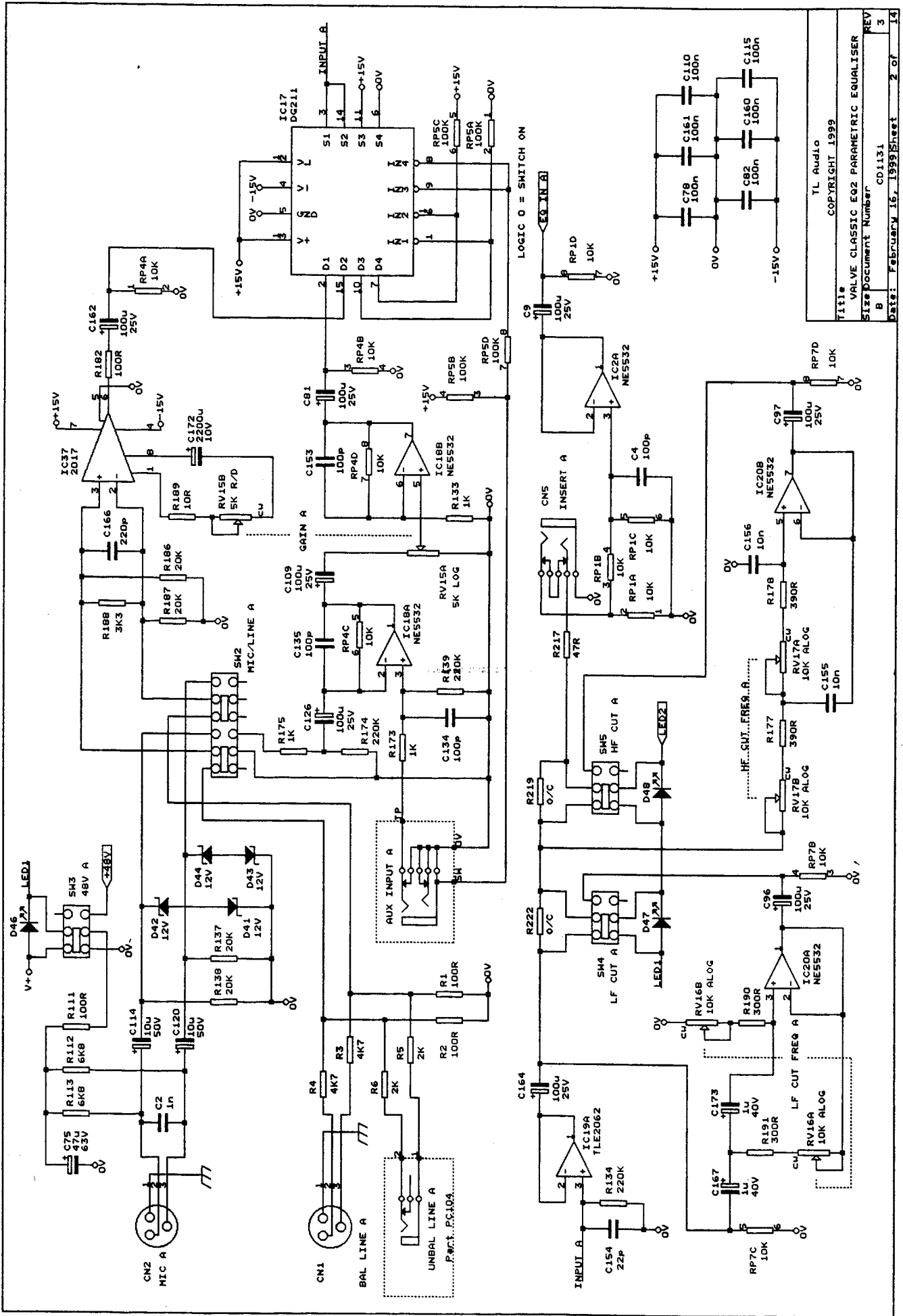
CARE MUST BE TAKEN WHEN FAULT FINDING.

- DO NOT handle the PCB while the unit is connected to the Mains Supply.
- DO NOT use screws with different type or length than those currently fitted.
- DO NOT remove EARTH wires under any circumstances.
- REPLACE all covers removed during servicing.
- During reassembly DO NOT allow wires to be trapped.

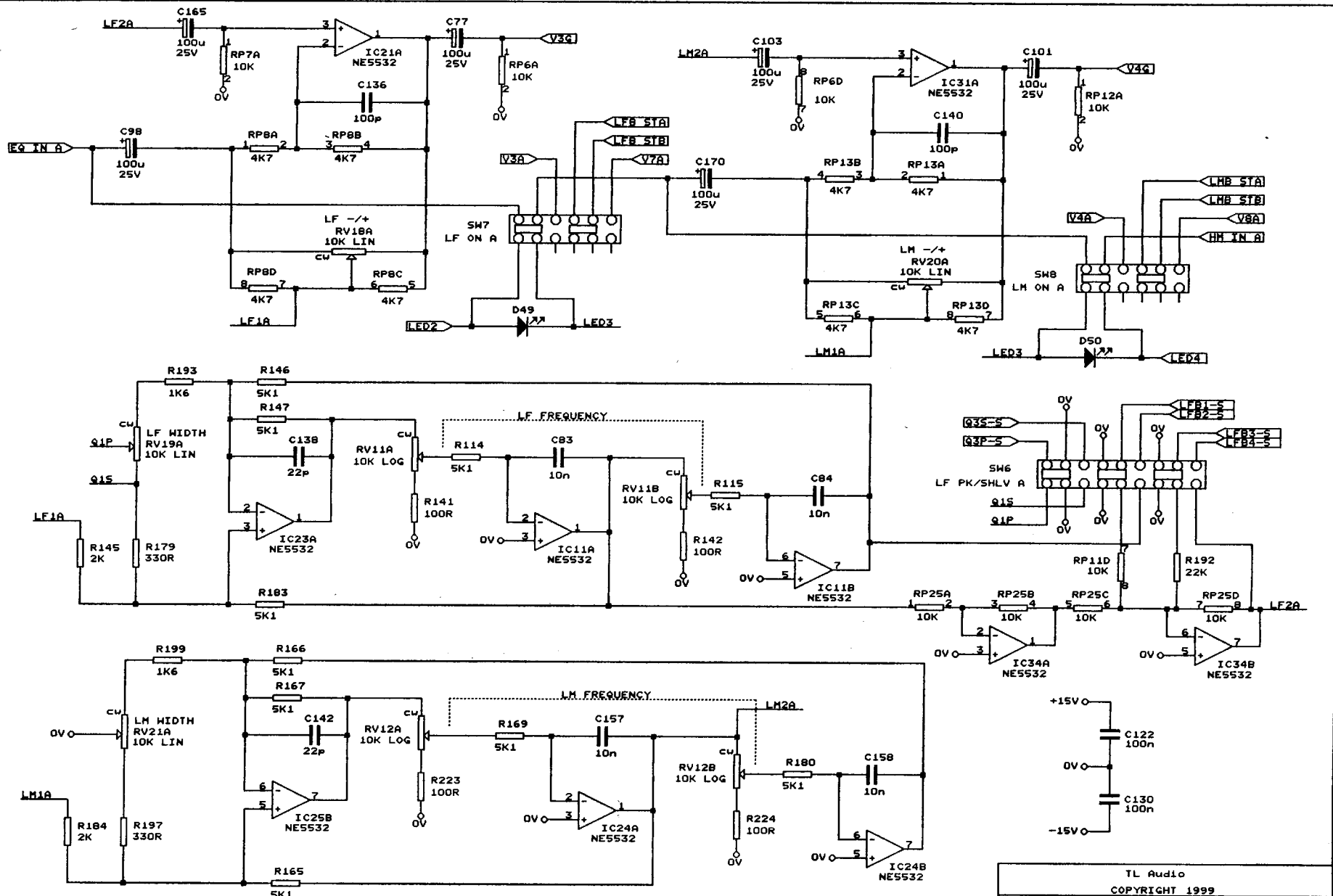
IF IN DOUBT RETURN UNIT TO SUPPLIER.

TL Audio
COPYRIGHT 1999

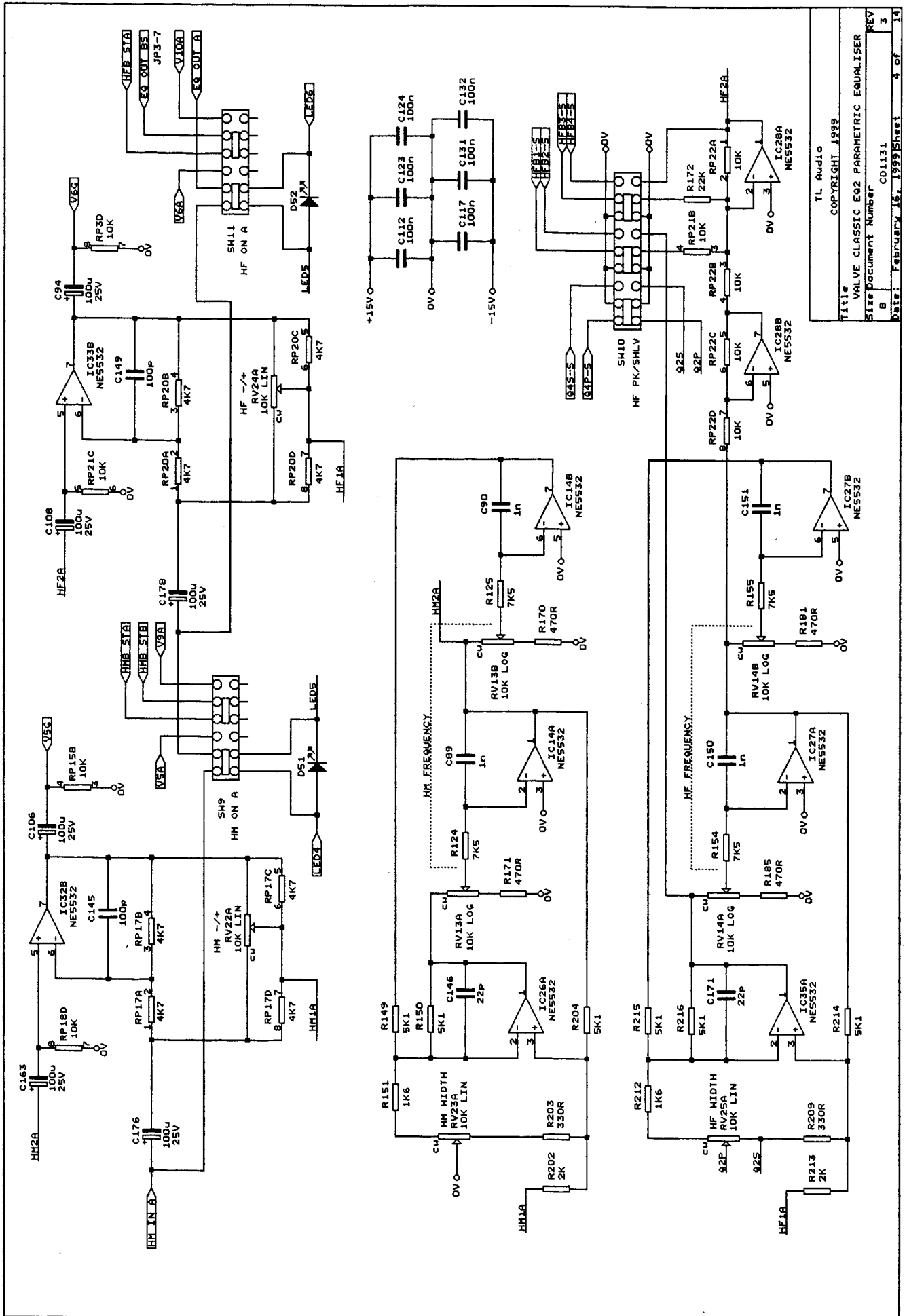
Title	VALVE CLASSIC EQ2 PARAMETRIC EQUALISER
Size	Document Number
REV	B
REV	3
Date:	February 16, 1999 Sheet 1 of 14



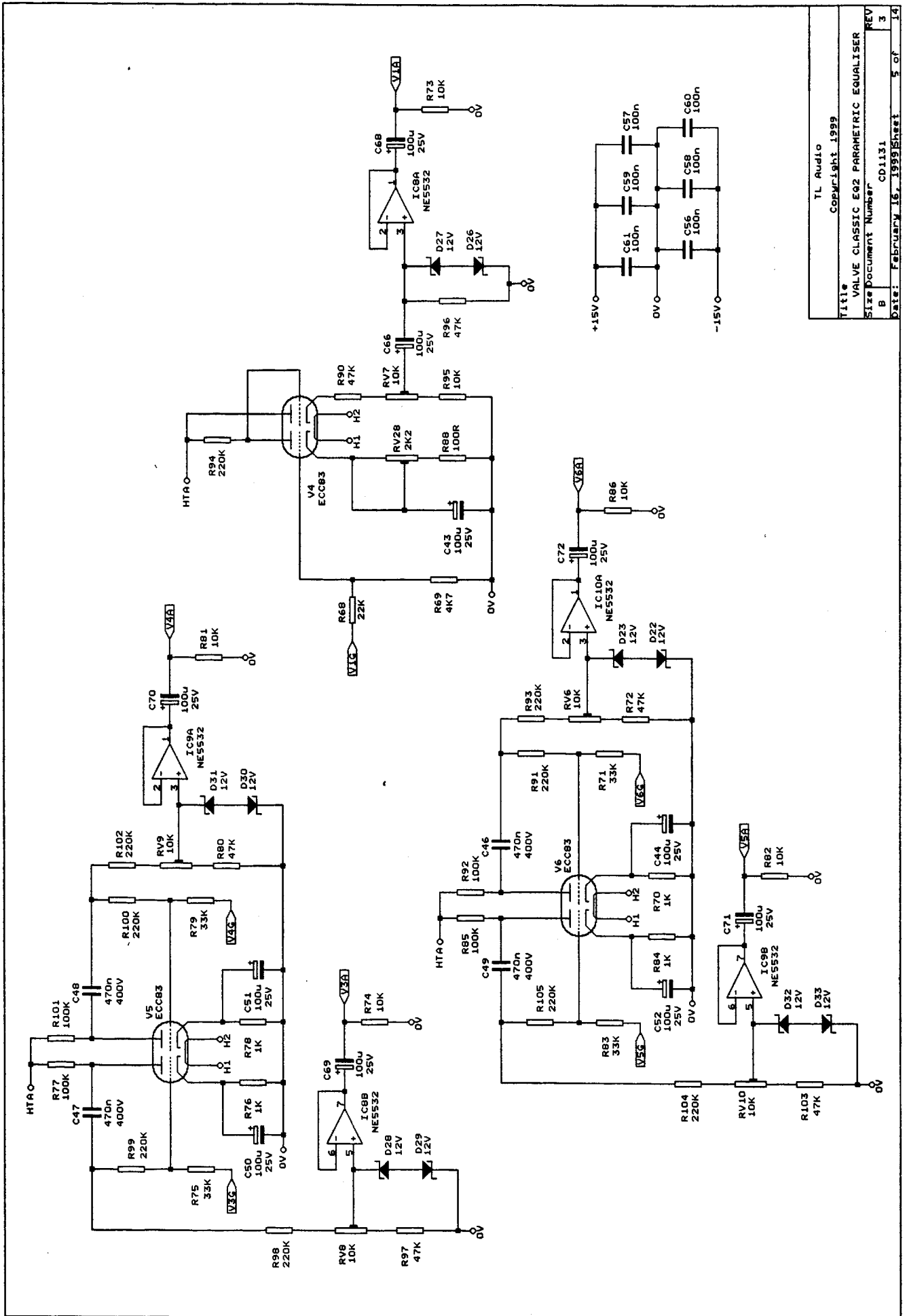
Title
 TL Audio
 Copyright 1999
 Size
 VALVE CLASSIC E02 PARAMETRIC EQUALISER
 Document Number
 CD1131
 Rev
 B
 Date: February 16, 1999 Sheet 2 of 14

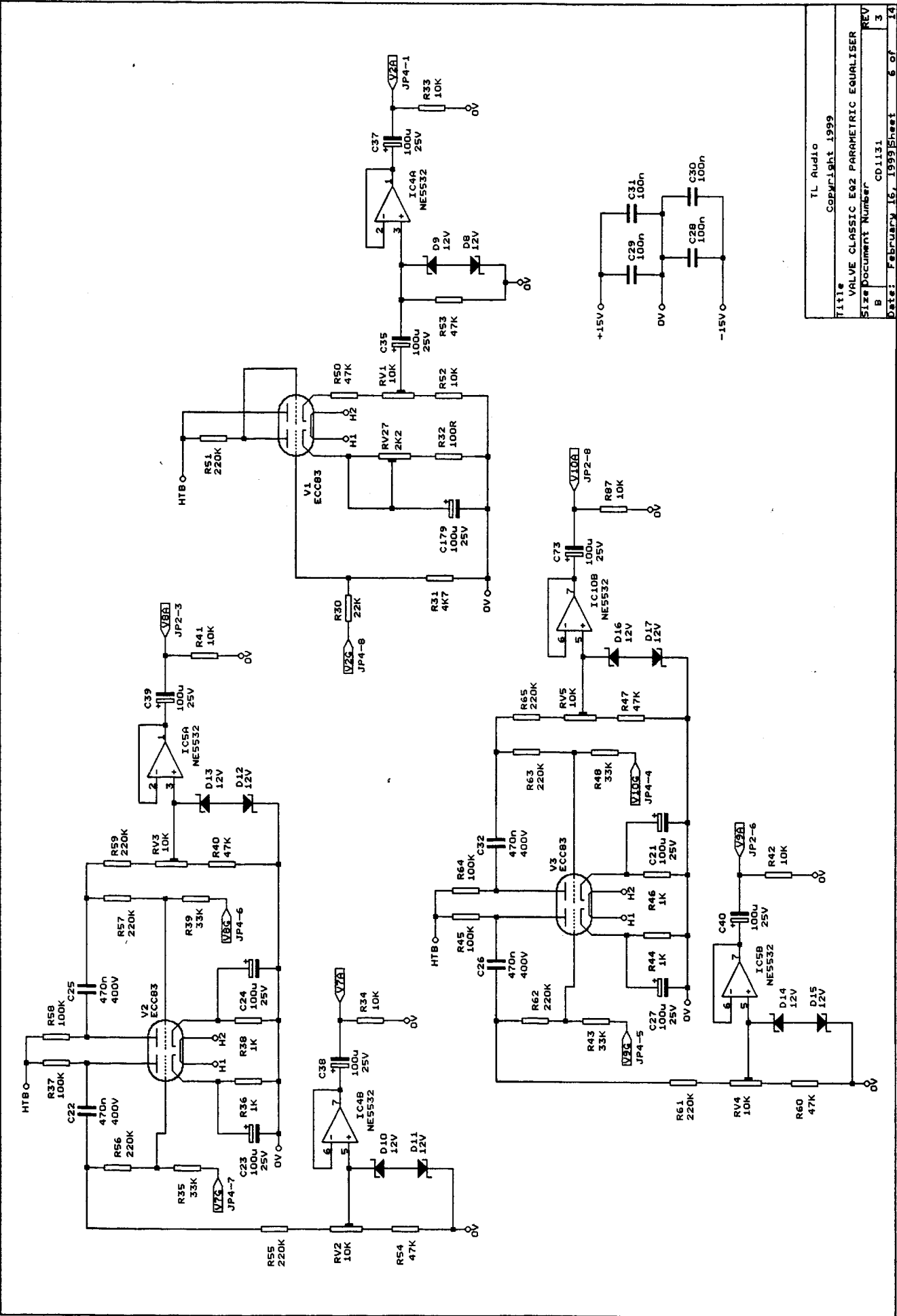


TL Audio		
COPYRIGHT 1999		
Title VALVE CLASSIC EQ2 PARAMETRIC EQUALISER		
Size Document Number		REV
B	CD1131	3
Date: February 16, 1999	Sheet	3 of 14

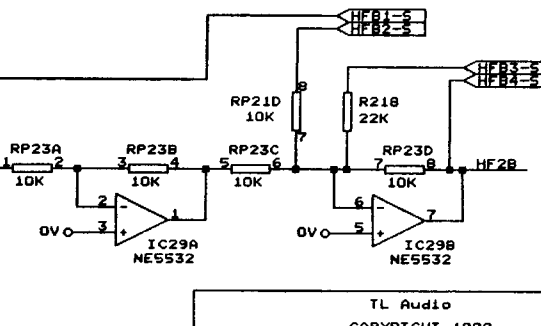
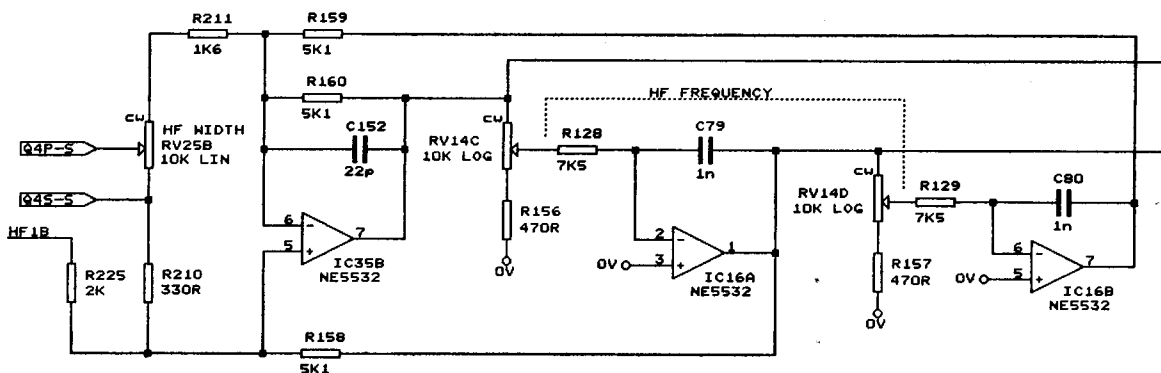
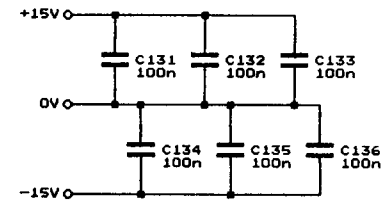
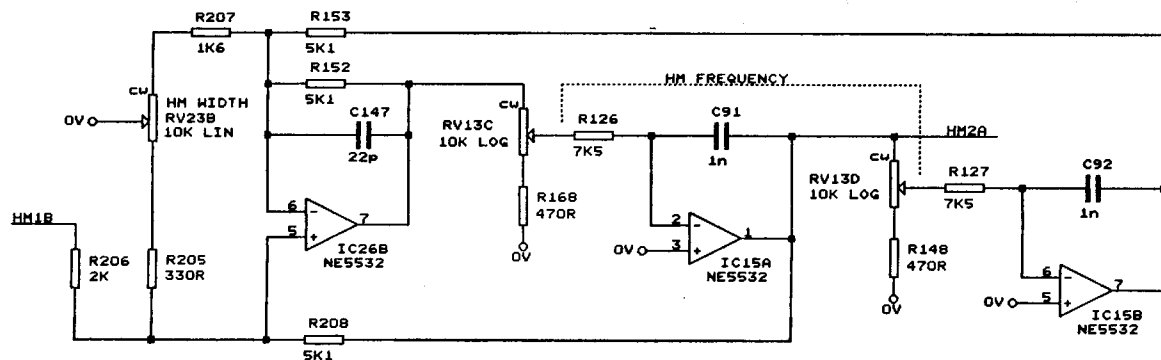
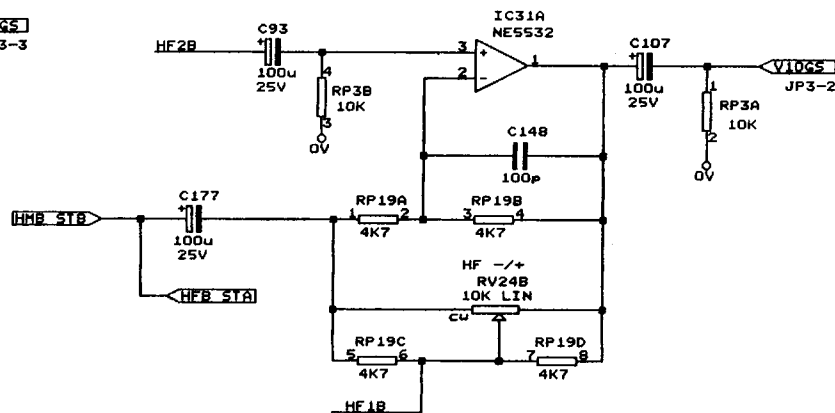
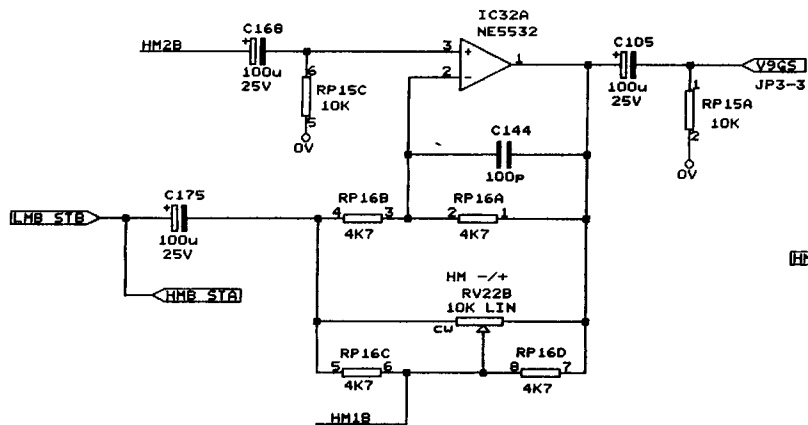


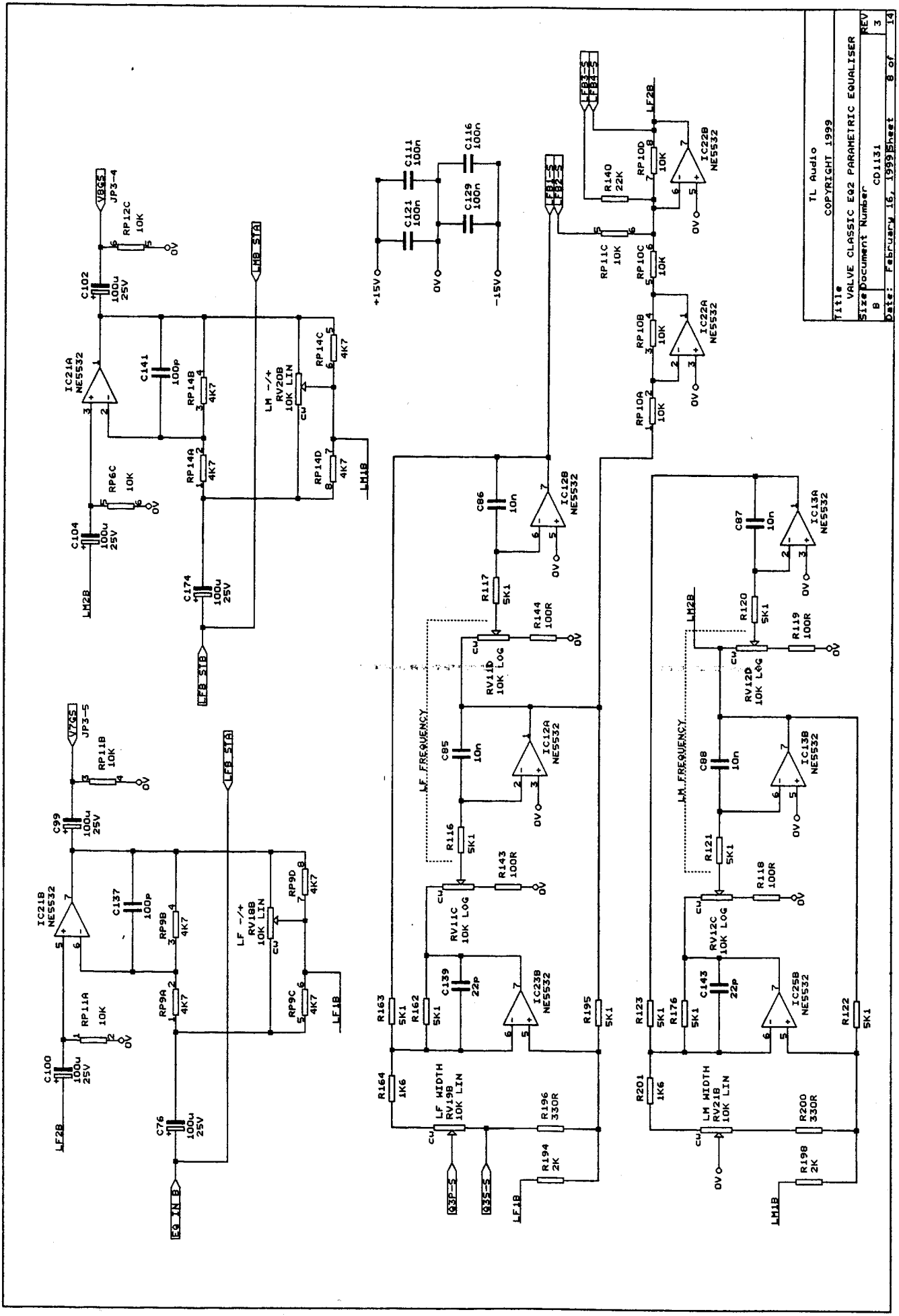
TL Audio
 COPYRIGHT 1999
 Title VALVE CLASSIC EQ PARAMETRIC EQUALISER
 Size Document Number CD1131
 REV 3
 Date: February 16, 1999 Page 4 of 14



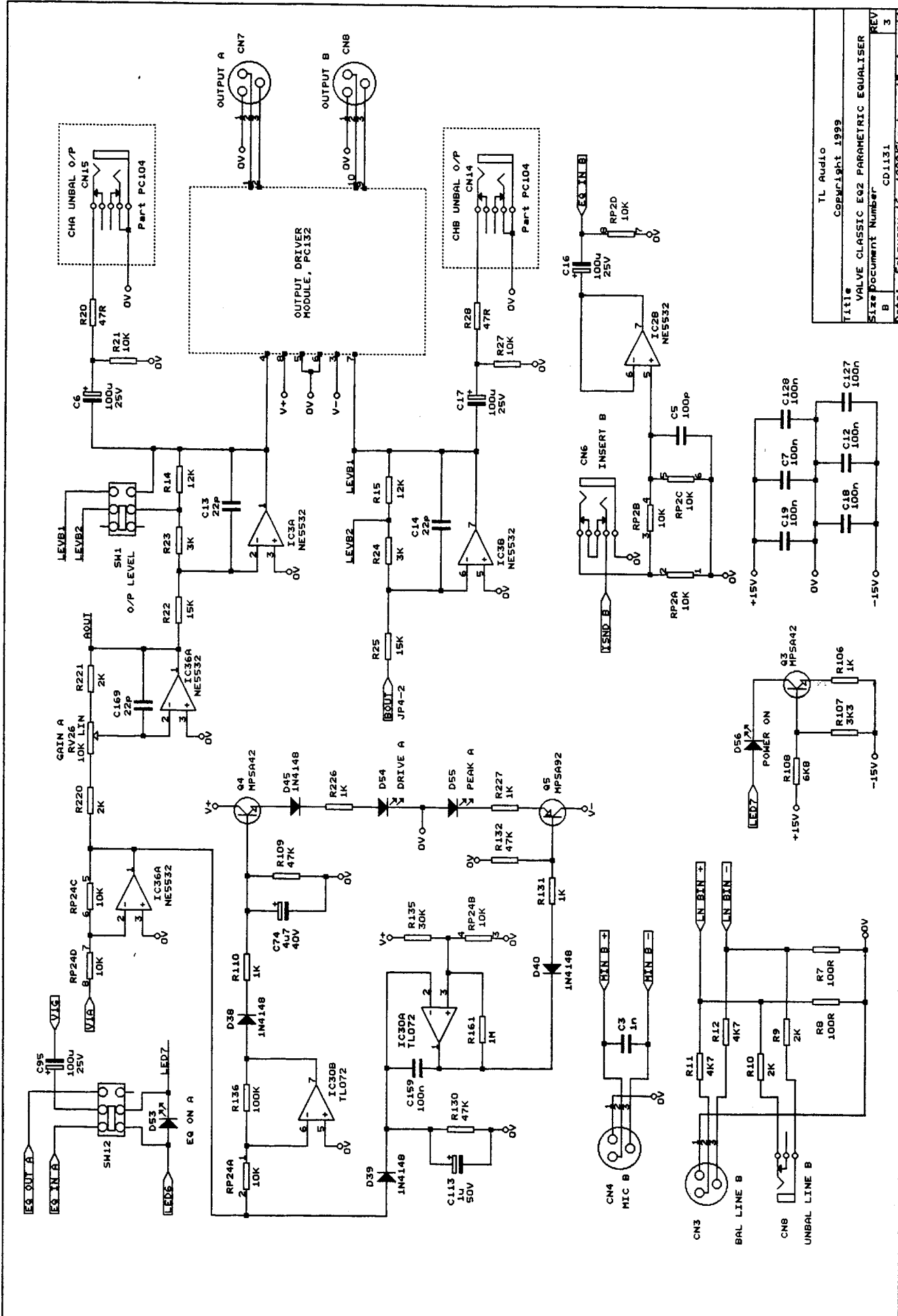


TL Audio
 Copyright 1999
 Title
 VALVE CLASSIC E62 PARAMETRIC EQUALISER
 Size
 B
 Document Number
 CD1131
 REV
 3
 Date: February 16, 1999 Sheet 6 of 14

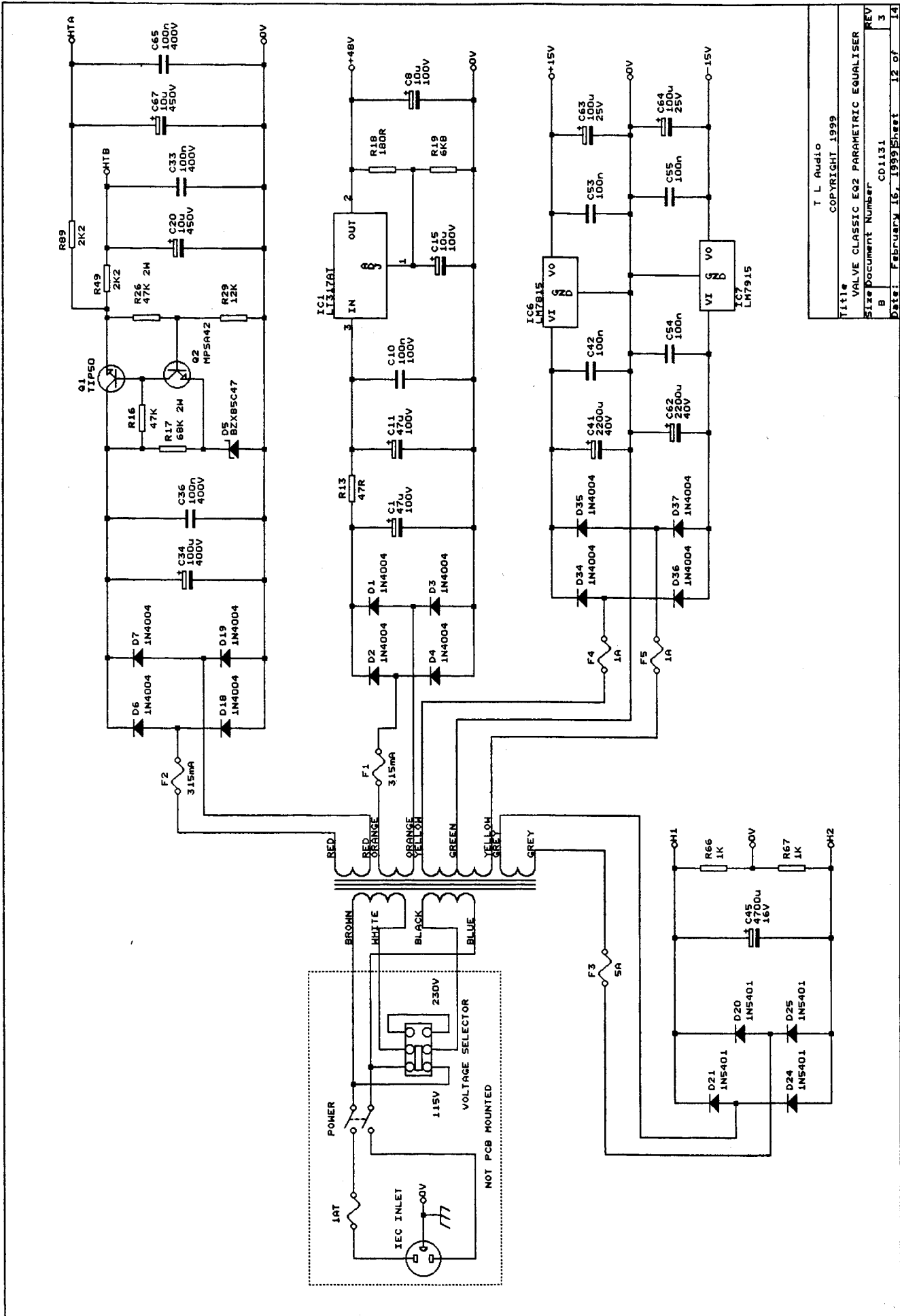




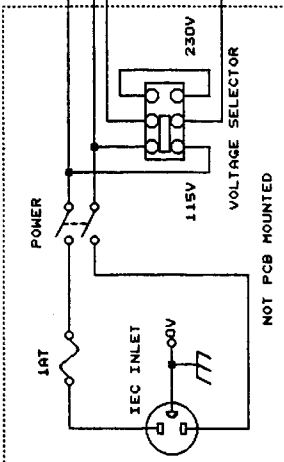
Title VALVE CLASSIC E02 PARAMETRIC EQUALISER
 Size Document Number CD1131
 B
 Date: February 16, 1999 Sheet 8 of 14
 TL Audio COPYRIGHT 1999

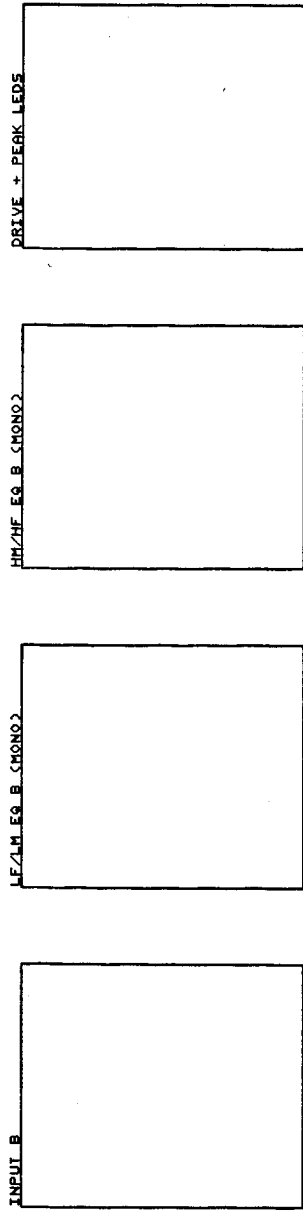


TL Audio
 Copyright 1999
 Title
 VALVE CLASSIC EQ2 PARAMETRIC EQUALISER
 Size
 Document Number CD1131
 REV 3
 Date: February 16, 1999 Sheet 13 of 14



T L Audio
 COPYRIGHT 1999
 TITLE VALVE CLASSIC EQ PARAMETRIC EQUALISER
 Size Document Number CD1131
 REV 3
 Date: February 16, 1999 Sheet 12 of 14





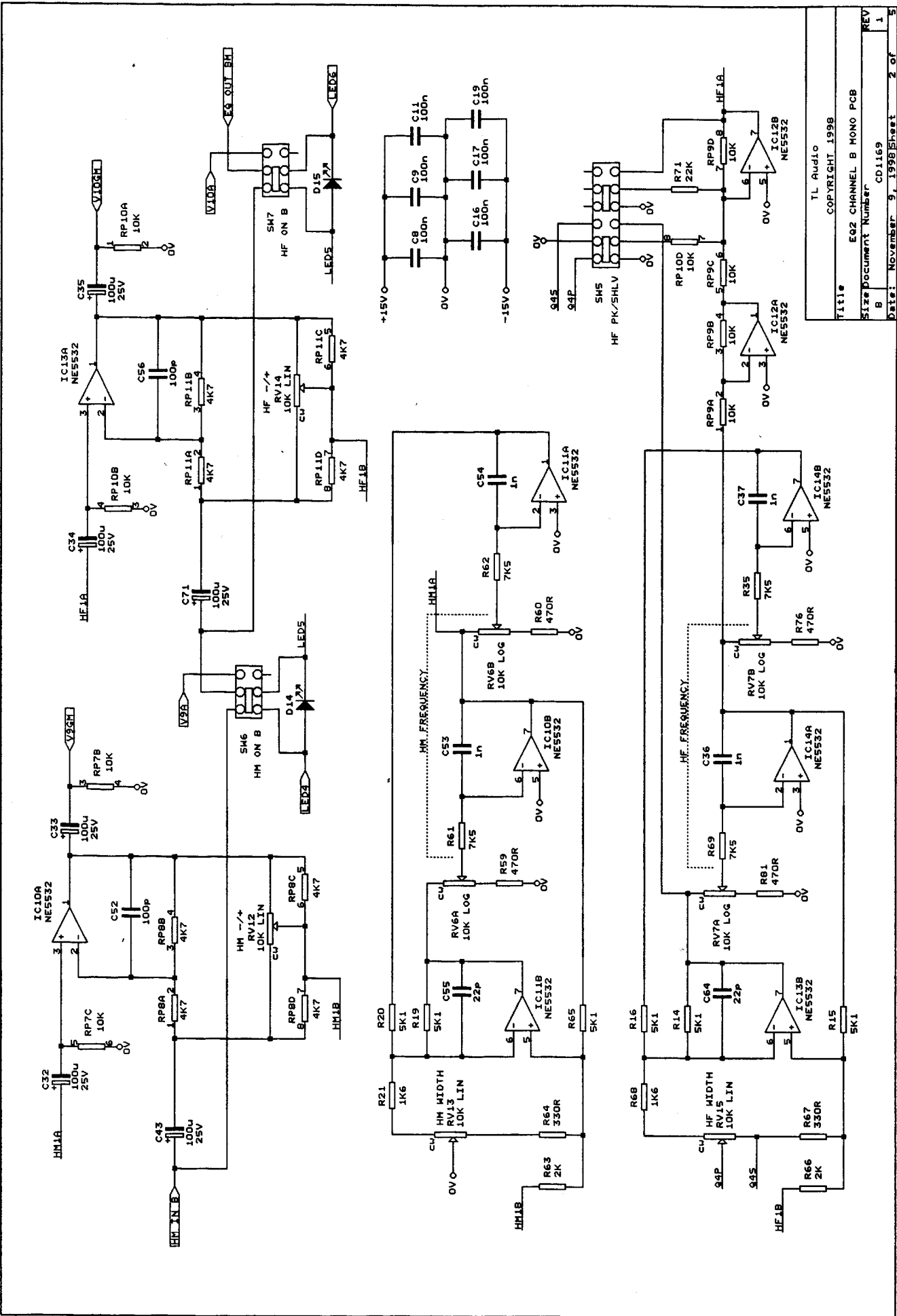
NOTES FOR QUALIFIED SERVICE ENGINEERS

The following voltages exist within this unit under normal working circumstances: 230V (115V) AC Mains and 300V DC. These voltages may take several minutes to decay after the unit is switched off.

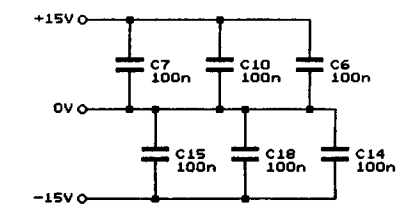
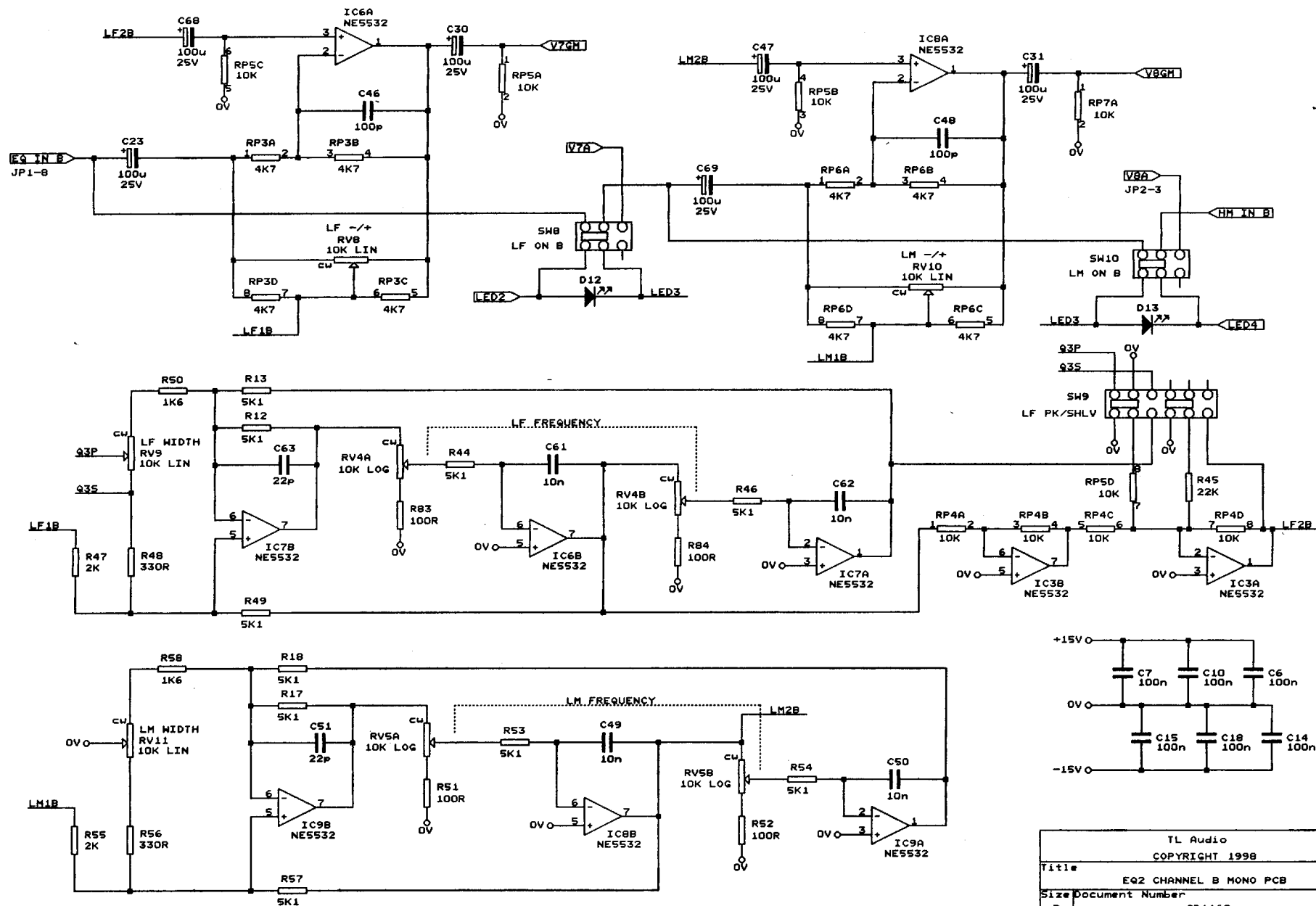
CARE MUST BE TAKEN WHEN FAULT FINDING.

- DO NOT handle the PCB while the unit is connected to the Mains Supply.
- DO NOT use screws with different type or length than those currently fitted.
- DO NOT remove EARTH wires under any circumstances.
- REPLACE all covers removed during servicing.
- During reassembly DO NOT allow wires to be trapped.

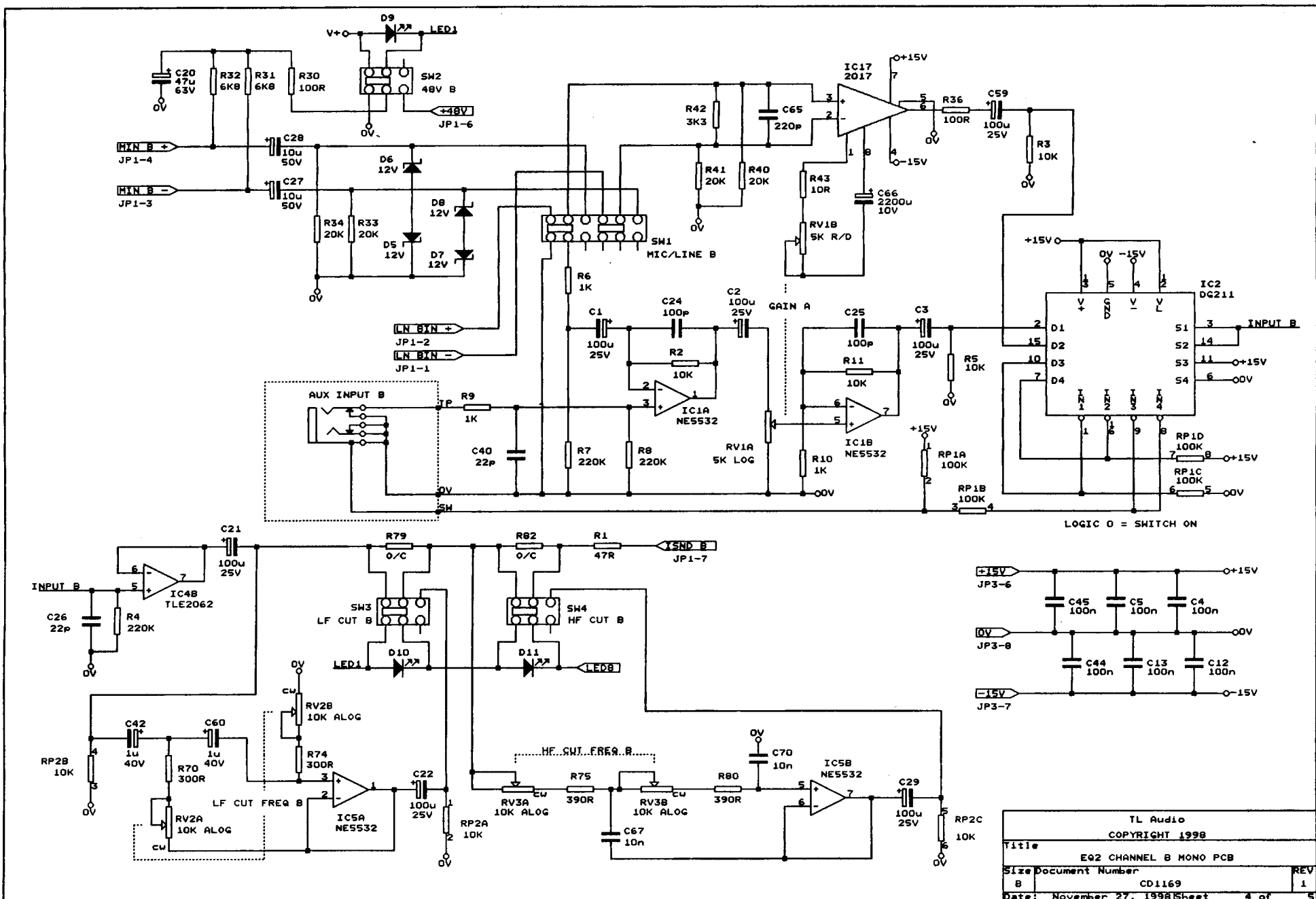
IF IN DOUBT RETURN UNIT TO SUPPLIER.



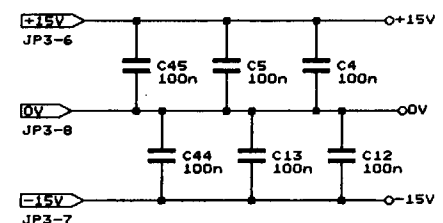
Title TL Audio
 Copyright 1998
 Size EG2 CHANNEL B MONO PCB
 Document Number CD1169
 Date: November 9, 1998 Sheet 2 of 5



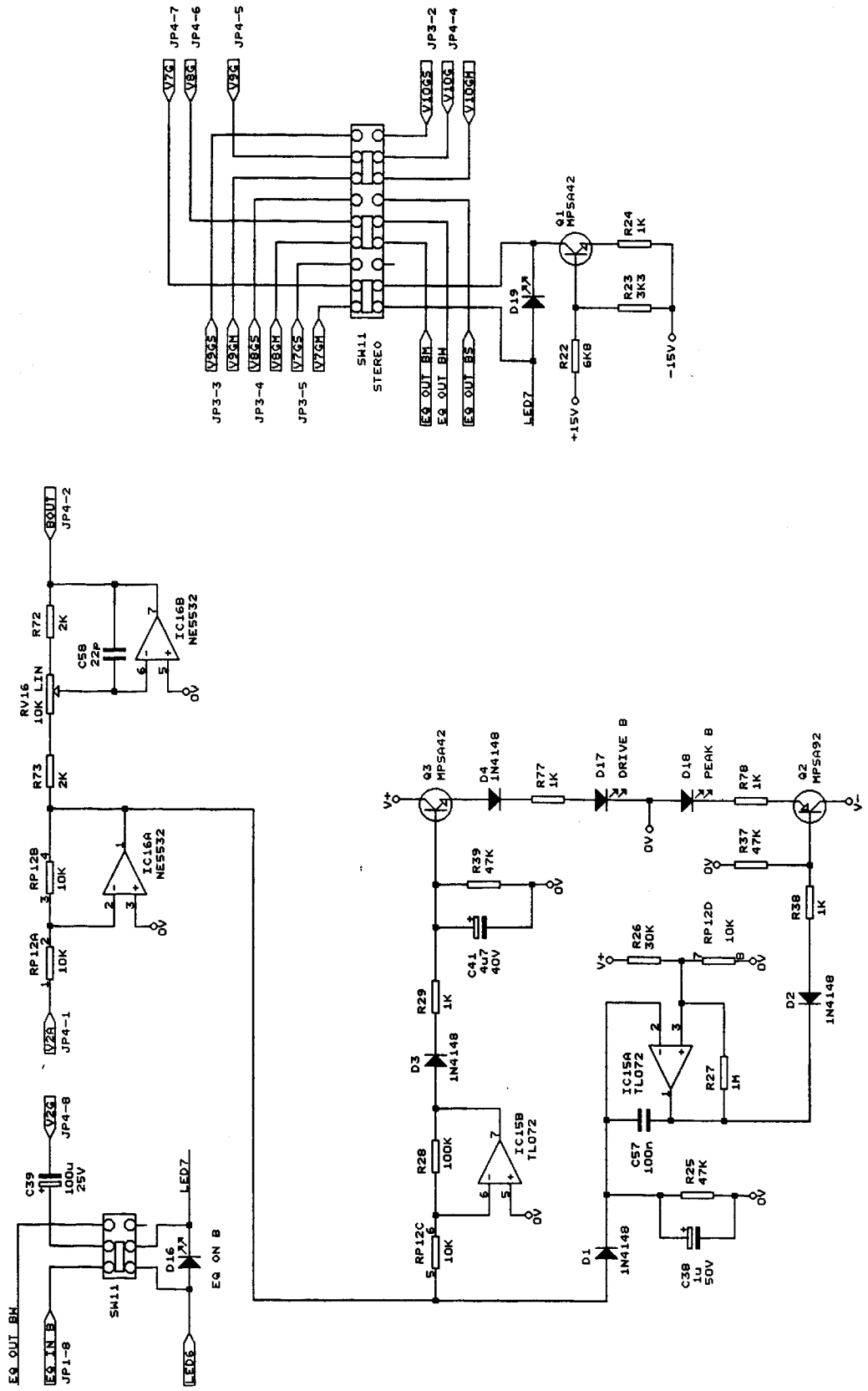
TL Audio	
COPYRIGHT 1998	
Title	
EQ2 CHANNEL B MONO PCB	
Size	Document Number
B	CD1169
Date:	November 9, 1998 Sheet 3 of 5
REV	1



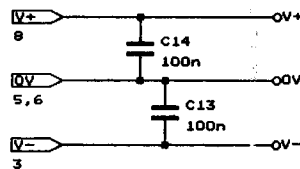
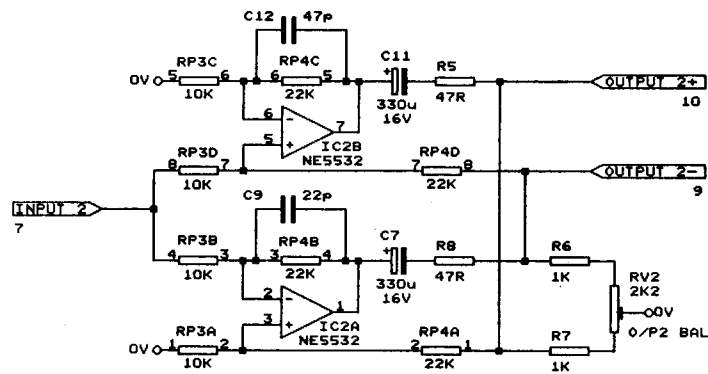
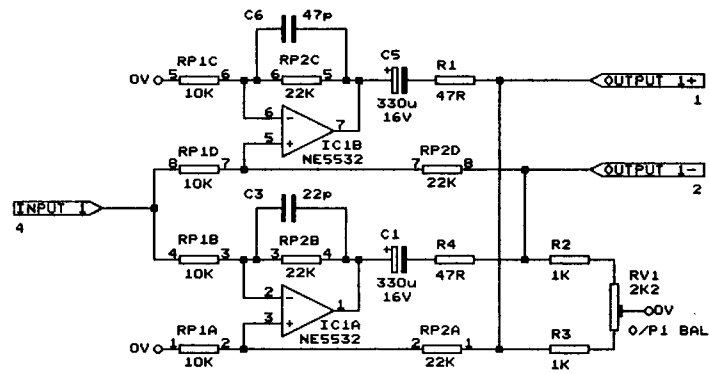
LOGIC 0 = SWITCH ON



TL Audio	
COPYRIGHT 1998	
Title	EQ2 CHANNEL B MONO PCB
Size Document Number	CD1169
B	REV 1
Date: November 27, 1998	Sheet 4 of 5



TL Audio
 Copyright 1998
 Title EQ2 CHANNEL B MONO PCB
 Size Document Number CD1169
 B 1
 Date: November 27, 1998 Sheet 5 of 5



TL Audio		
COPYRIGHT 1995		
Title DUAL OUTPUT STAGE		
Size	Document Number	REV
B	CD1132	1
Date: December 7, 1995 Sheet 1 of 1		