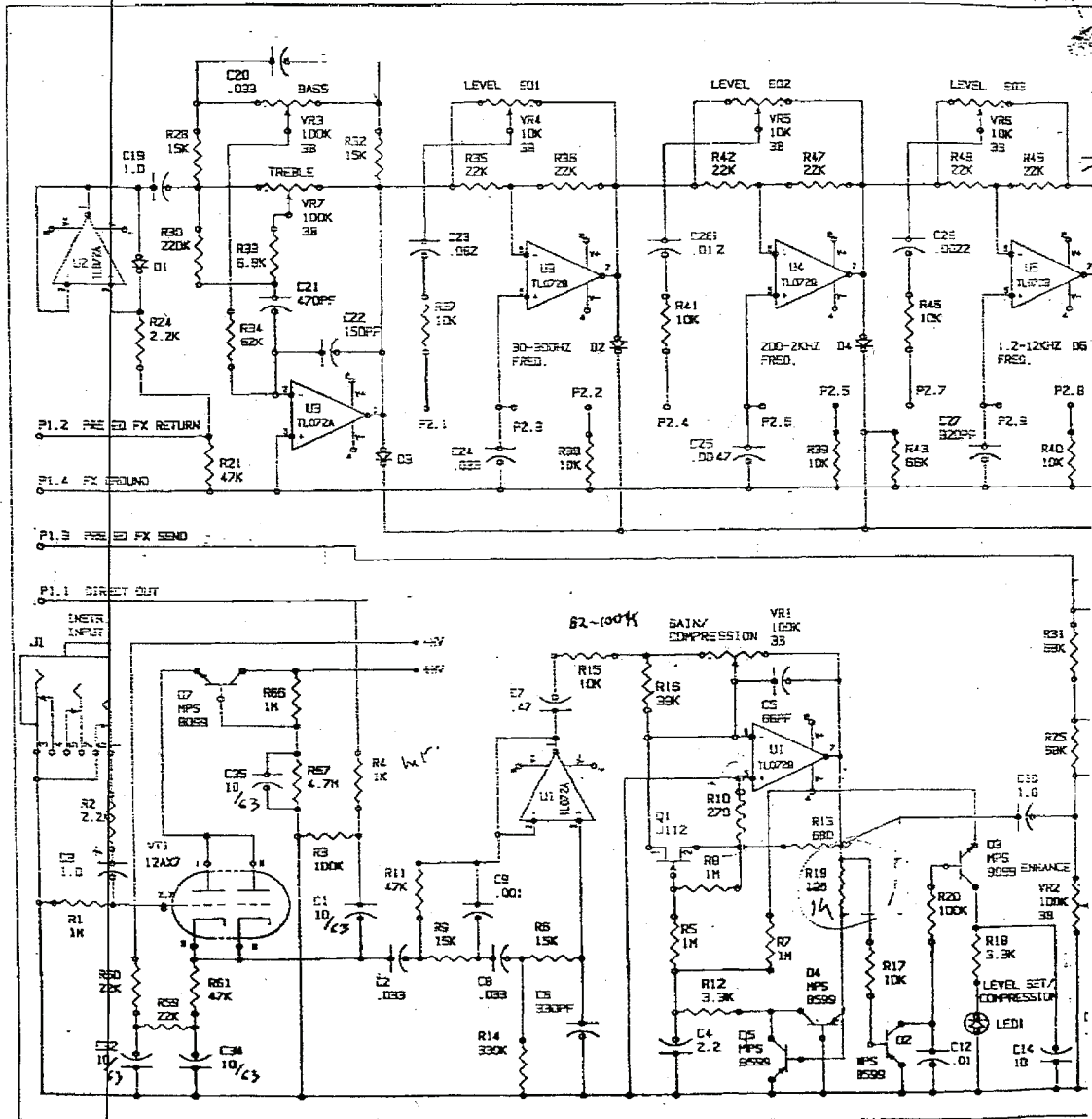
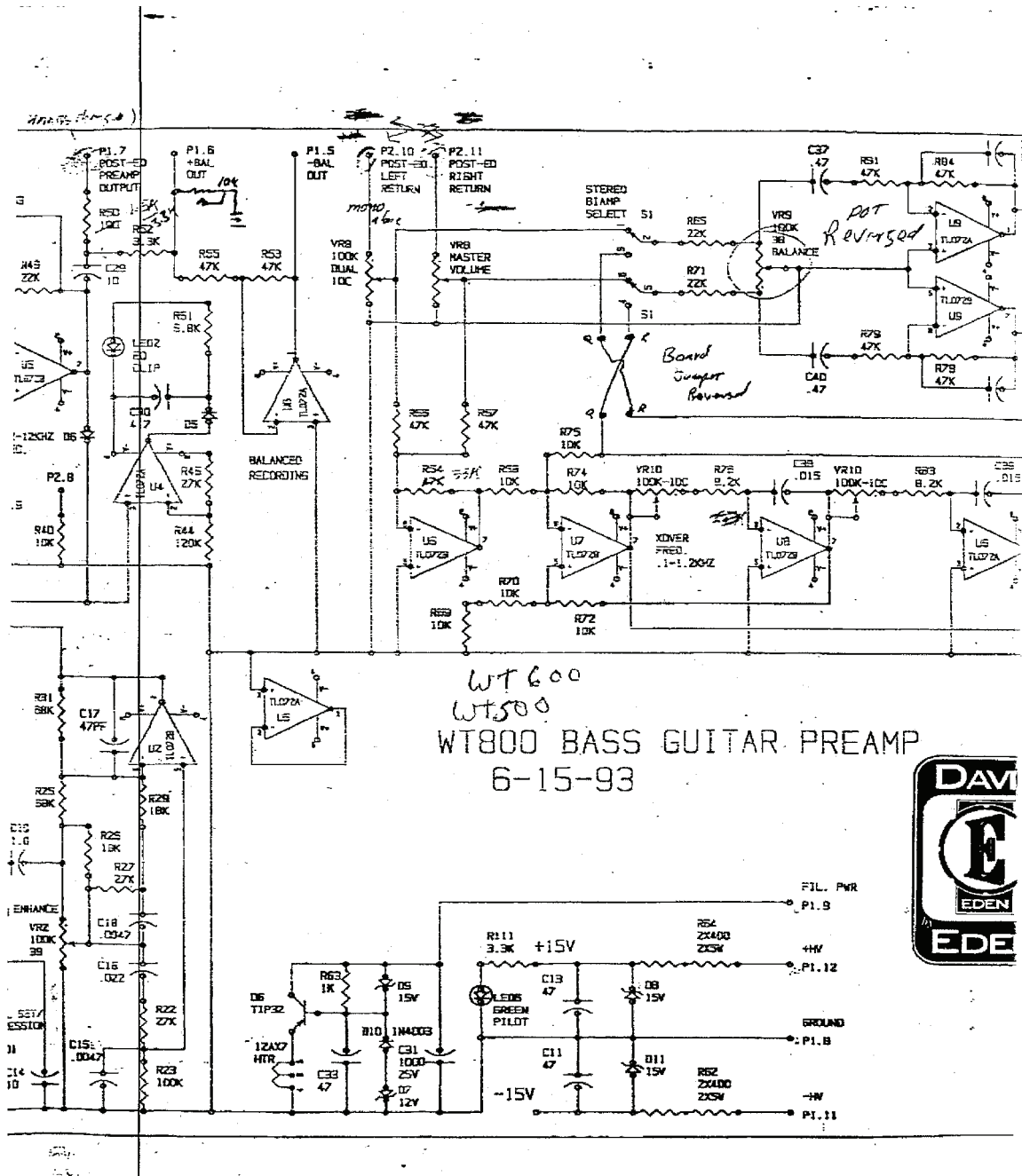


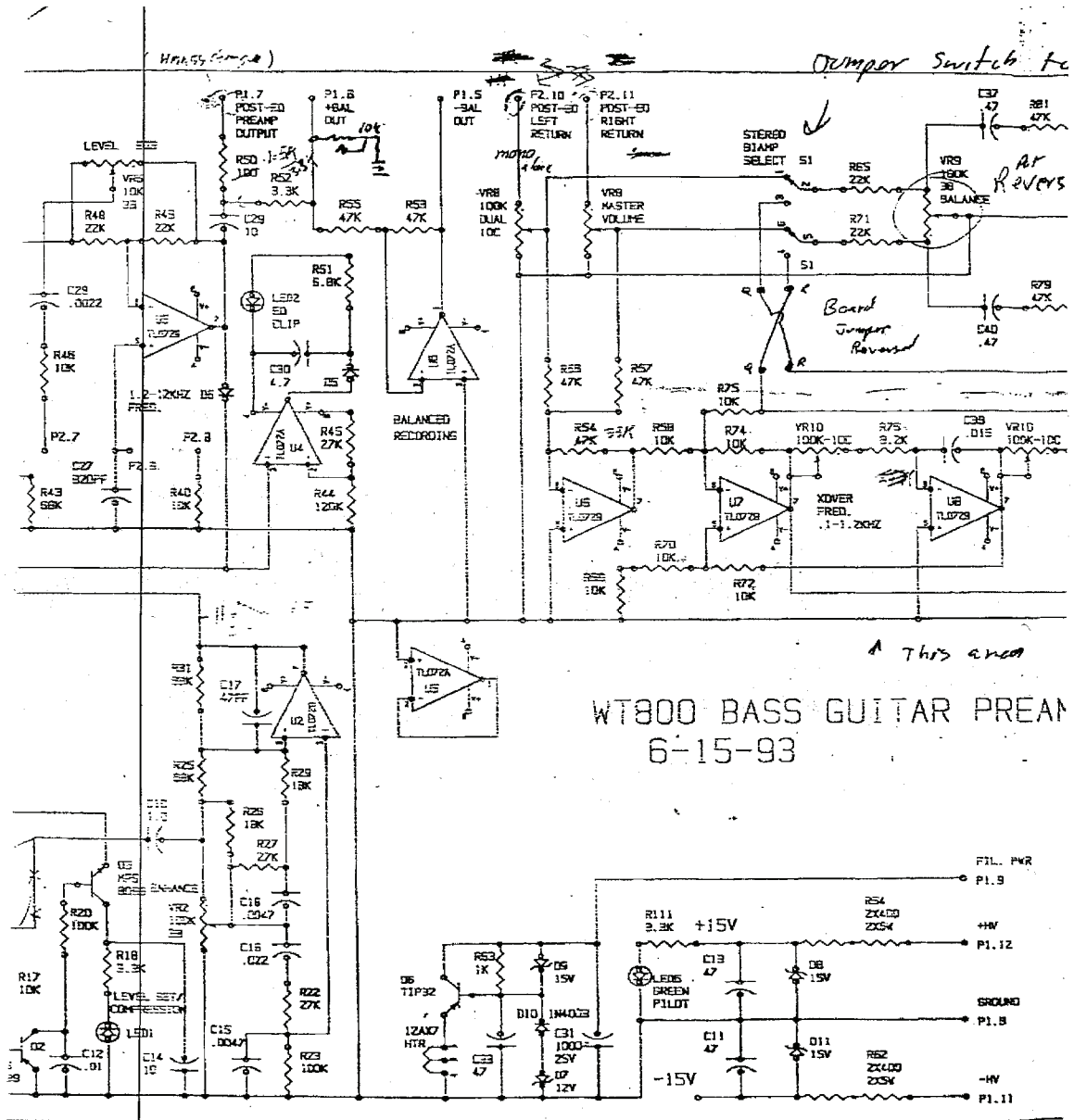
EJen Electronics  
 WT 800/500/600



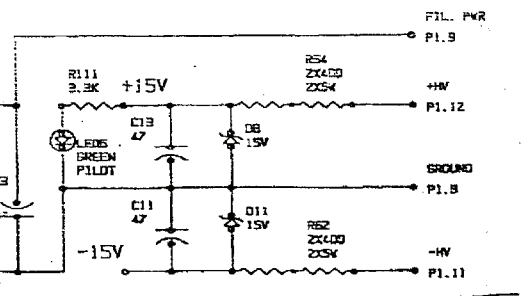


WT600  
 WT500  
 WT800 BASS GUITAR PREAMP  
 6-15-93



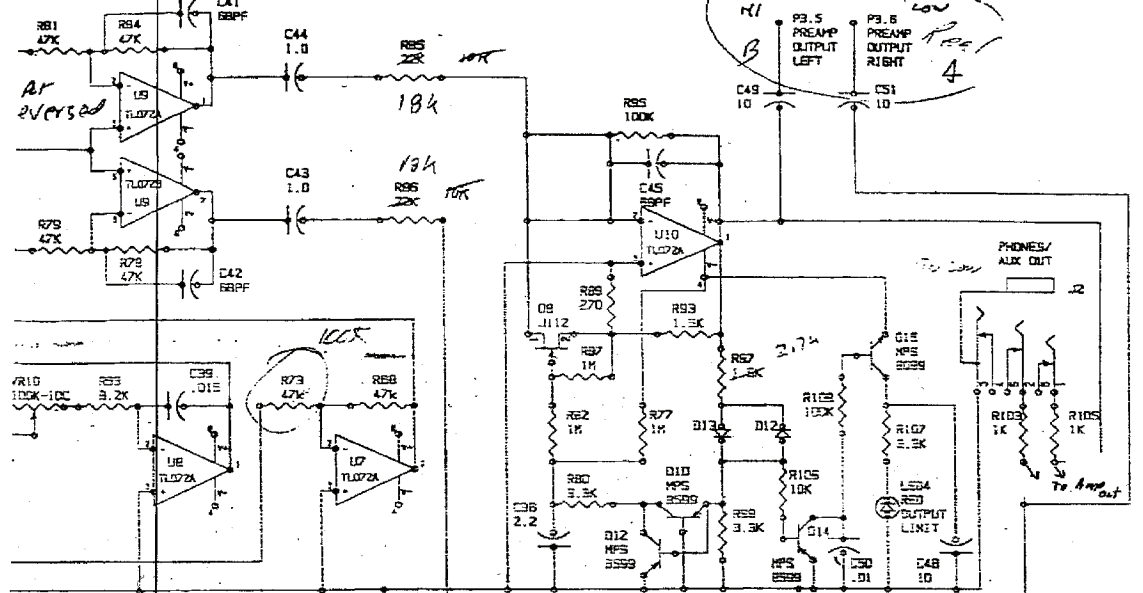


WT800 BASS GUITAR PREAMP  
6-15-93



EJen Electronics

to normal position



removed for WT-500

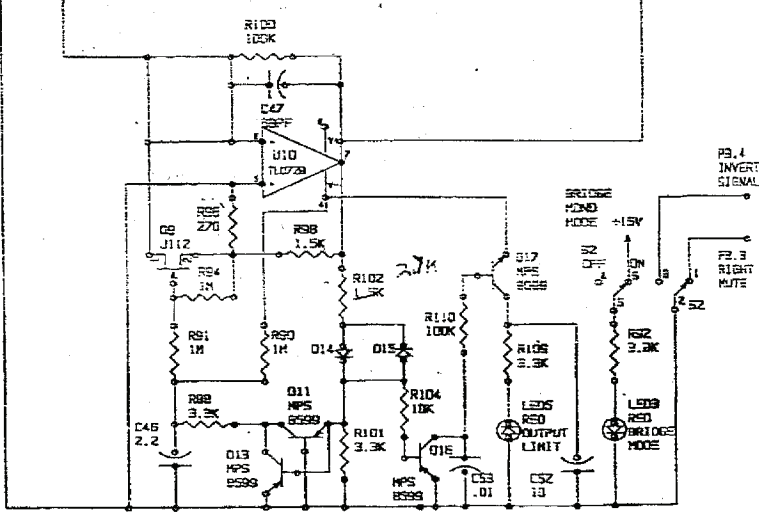
PREAMP

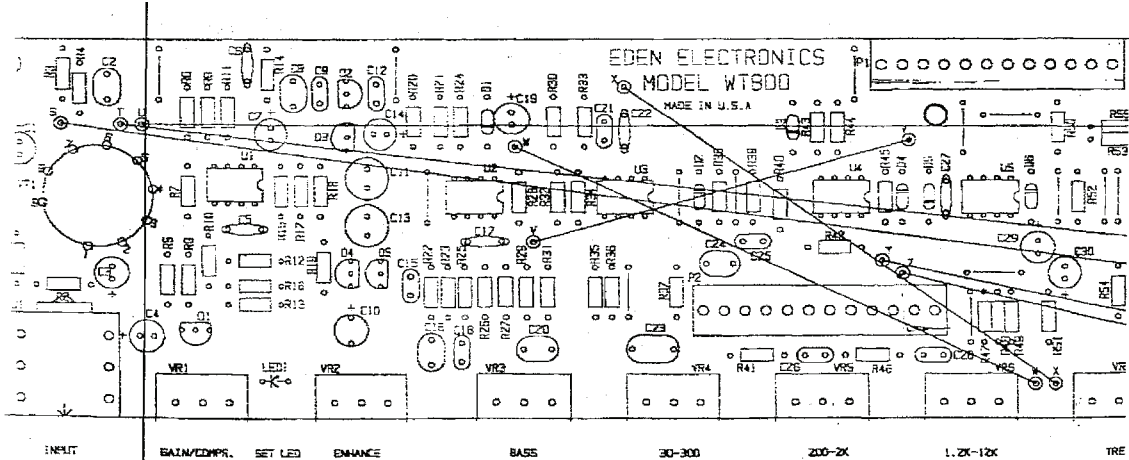
PWR

2

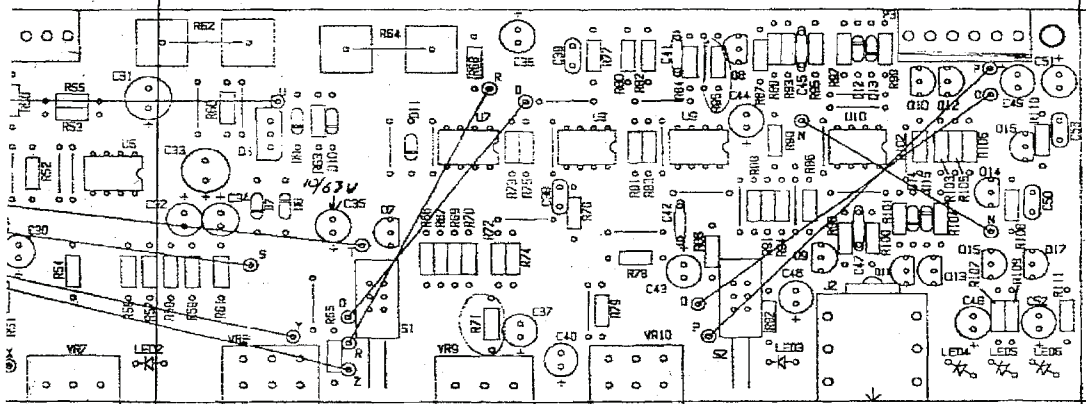
NO

11





NOTES: EDEN ELECTRONICS MODEL WT800 6-20-93  
 MATERIAL = GLASS EPOXY G10 FR4 .062 THICK  
 PCB SIZE = 15.60 X 3.00 INCHES  
 USE 2 OZ COPPER TINNED  
 SILK SCREEN LOCATIONS IN WHITE  
 APPLY SOLDER MASK IN GREEN



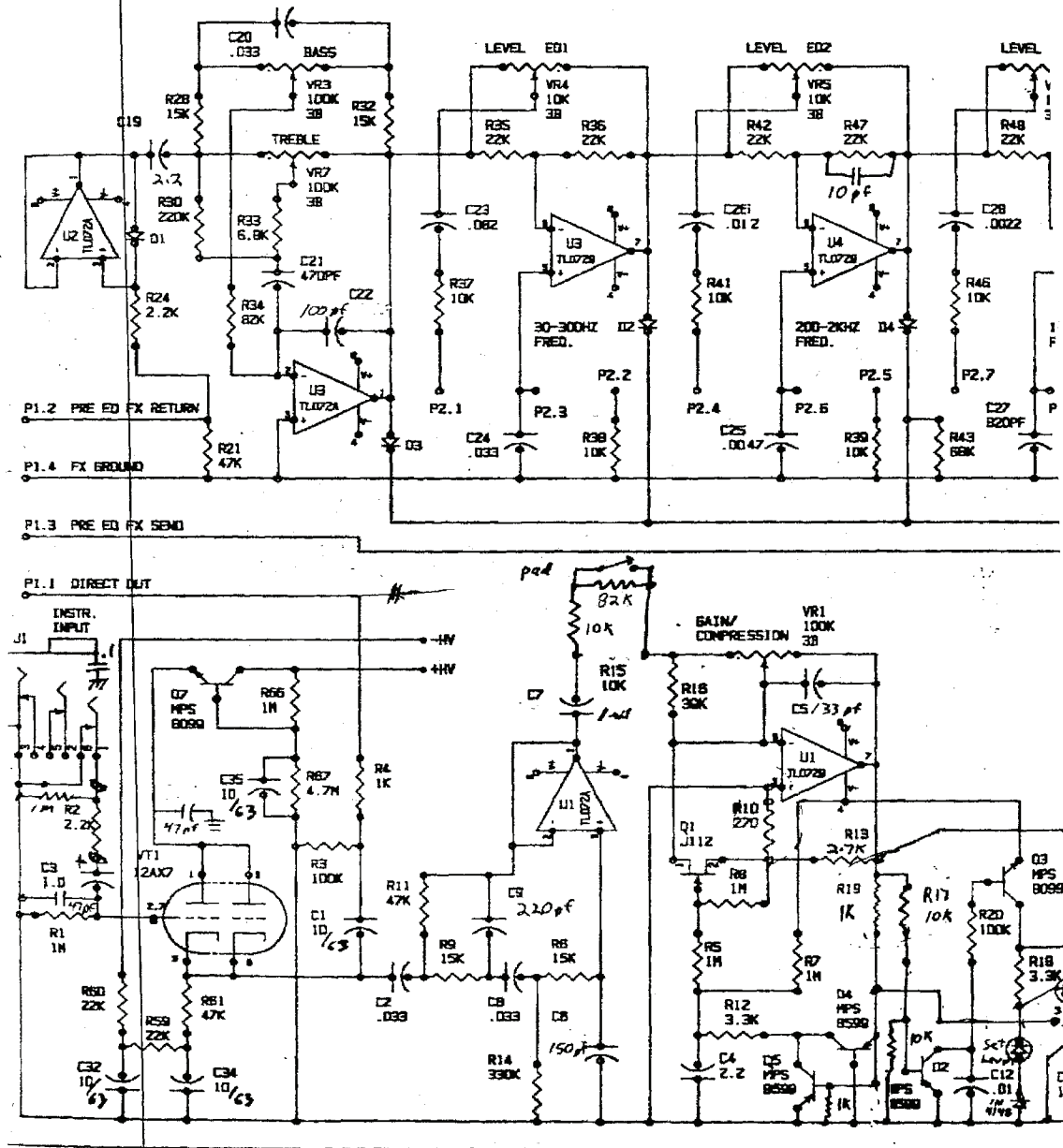
TREBLE EQ CLIP    MASTER    STAMP MODE    BALANCE    CROSSOVER    SOURCE MODE    PHONES/AUX    LIMIT A    LIMIT B PILOT



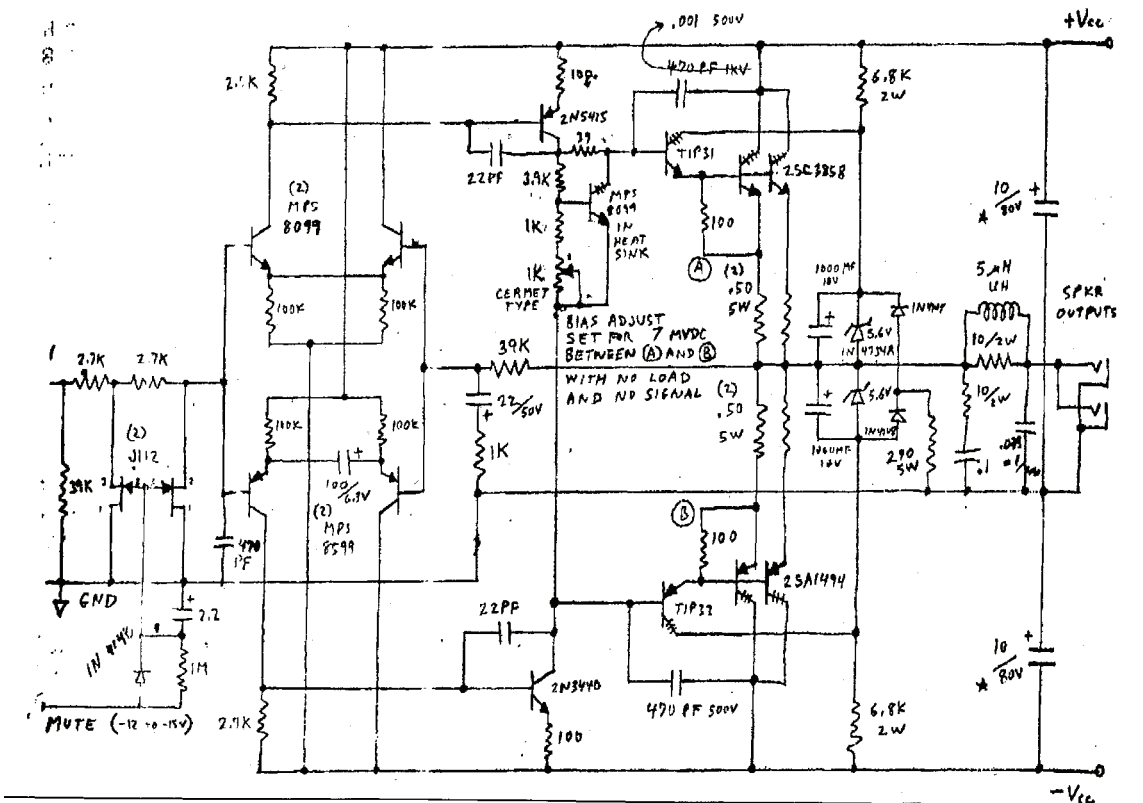




# Eten Electronics







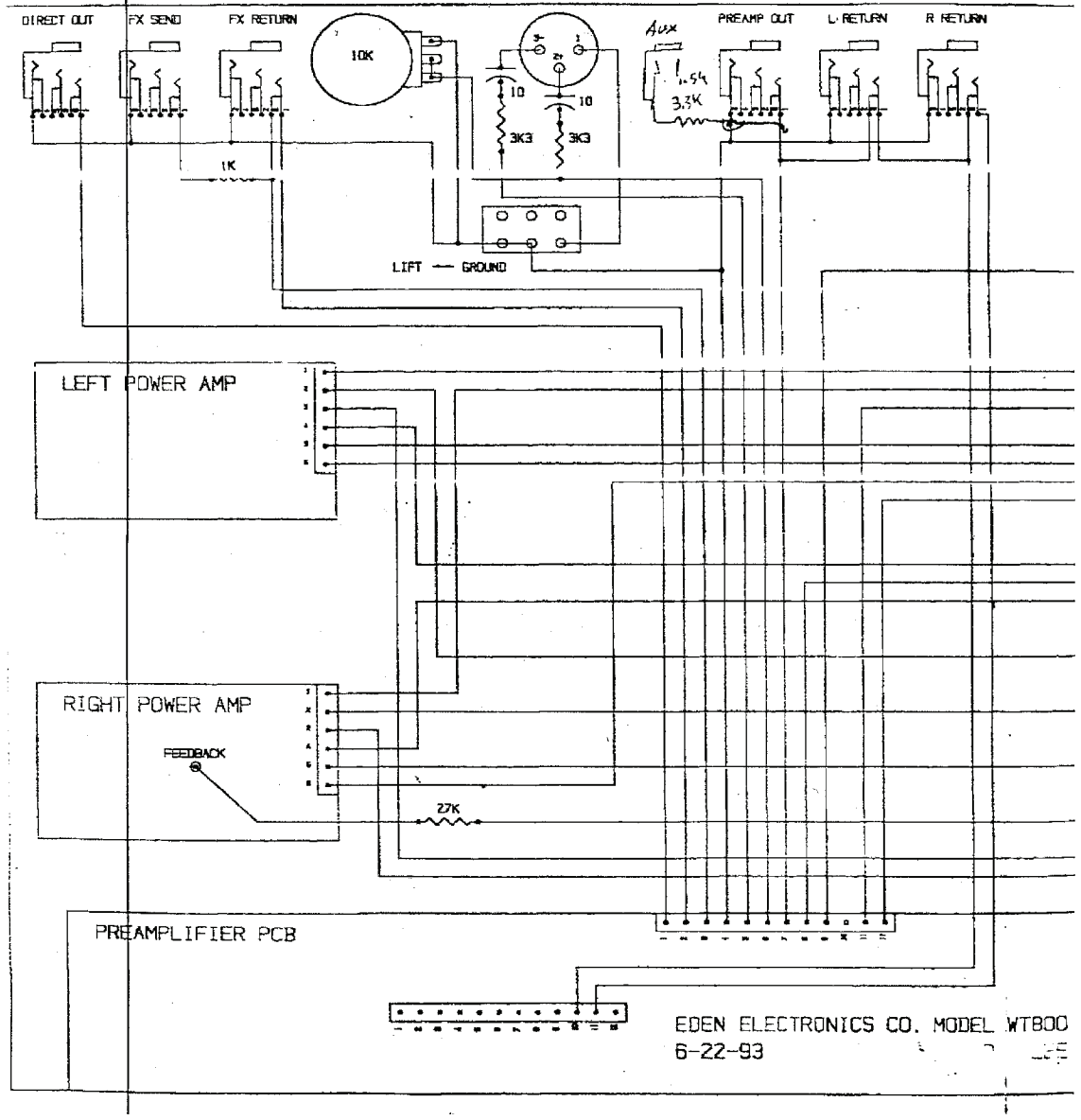
GAIN = X 40

EDEN POWER AMPLIFIER PM-400

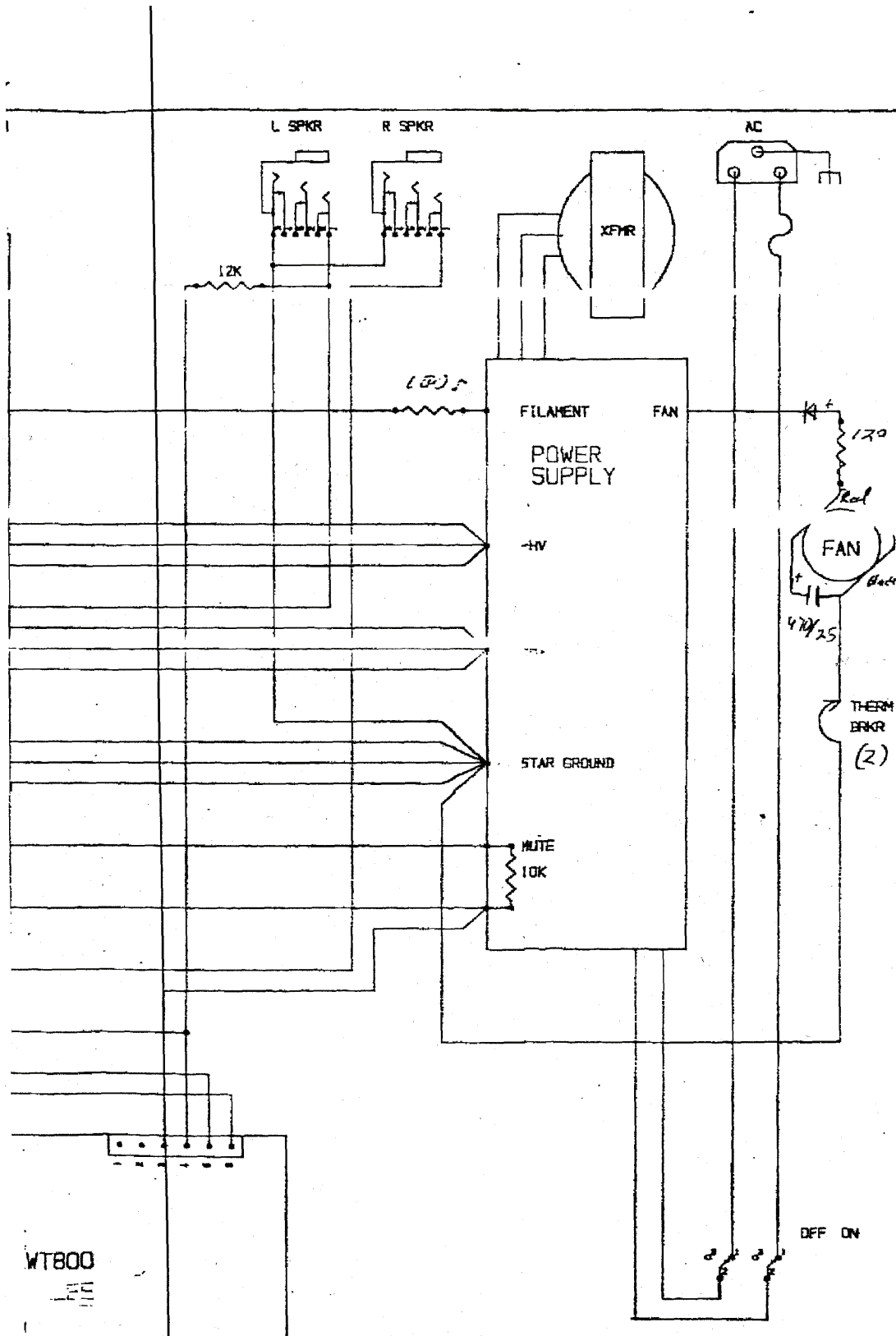
Eden Electronics



NEW P.C. Board  
Direct Mono only



EDEN ELECTRONICS CO. MODEL WT800  
6-22-93



Elen Electronics