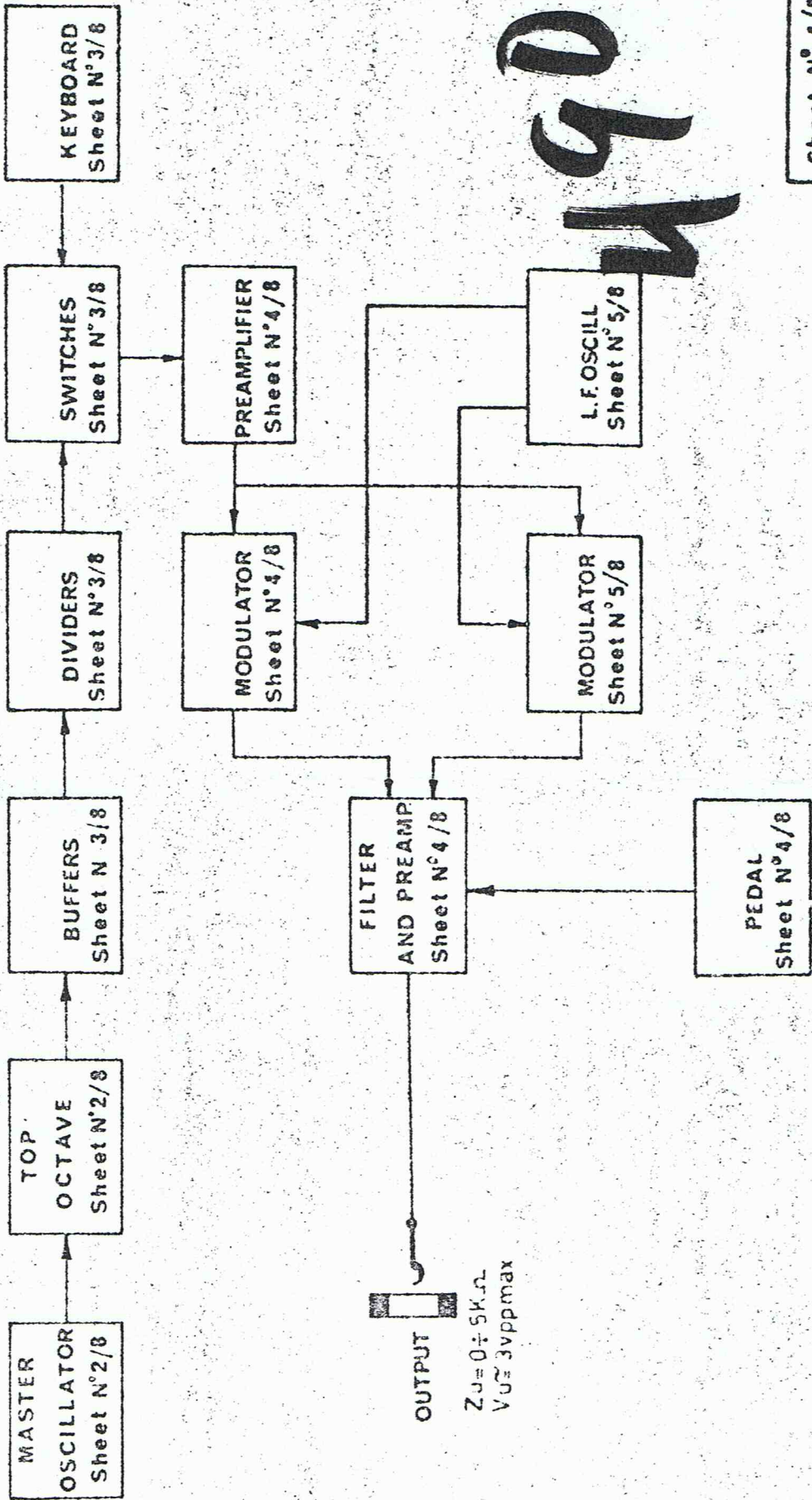


ELKA

Elka Rhapsody 490

schematic diagrams

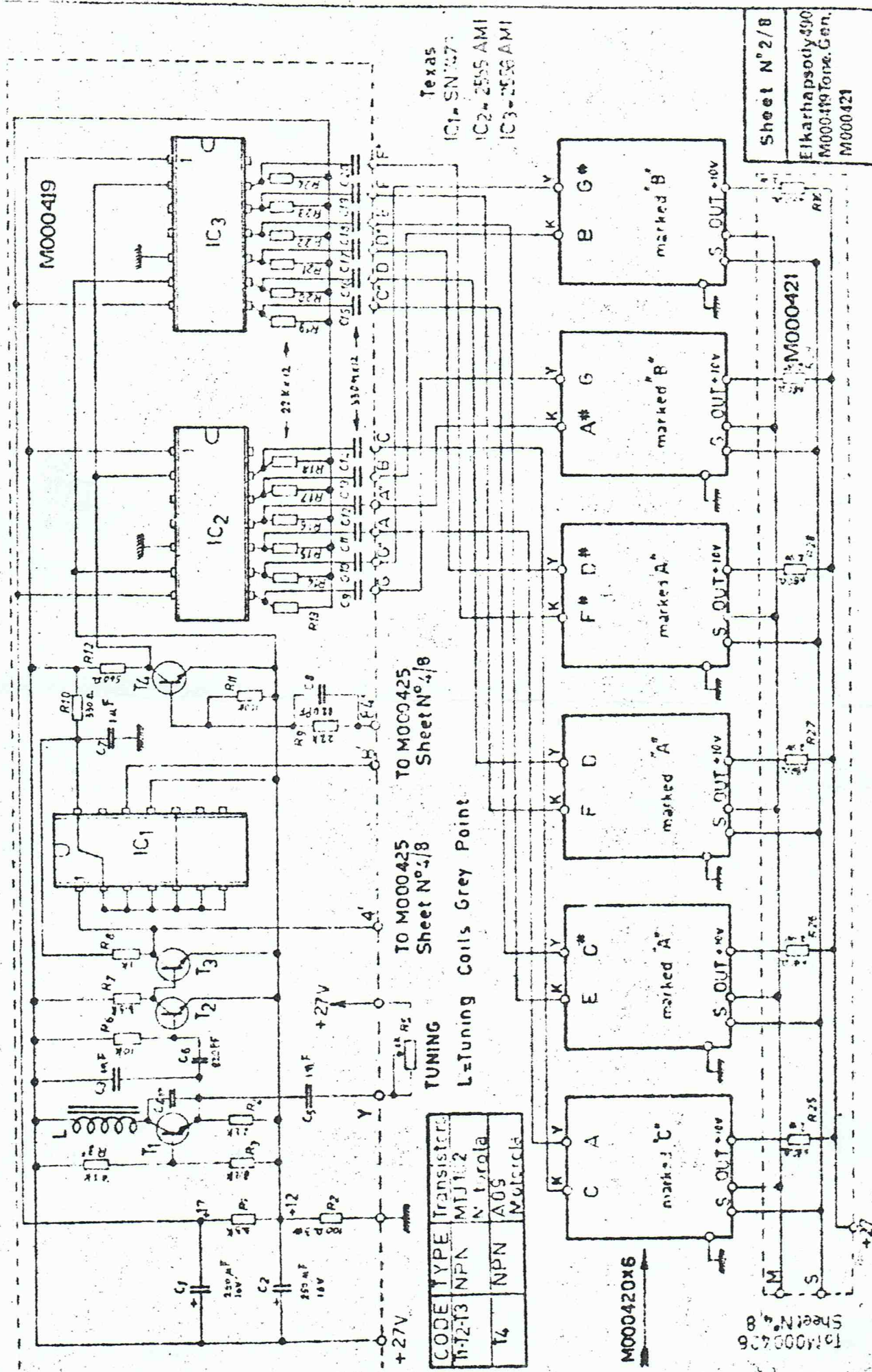


OUTPUT

$Z_0 = 0 \div 5K \Omega$
 $V_0 \approx 3V_{ppmax}$

490

Sheet N° 1/8	
Drawn by	Checked by
Designed by	ELKA
Schematic Diagram for ELKARHAPSODY 490	
Date 16-7-74	



Texas
 IC1 - SN 1977
 IC2 - 2555 AMI
 IC3 - 2556 AMI

Sheet N° 2/B
 Elkarhapsody 490
 M000419 Tone. Gen.
 M000421

TO M000425 Sheet N° 4/8
 TO M000425 Sheet N° 4/8

TUNING
 L = Tuning Coils Grey Point

CODE	TYPE	Transistor
T1-T3	NPN	MTJ1-2 N. Toyota
T4	NPN	A05 Motorola

M000420x6

TO M000426 Sheet N° 4/8

	C46	C47	C40	C30	C36	C34	C37	C20	C44
A	33	18	32	33	25	168	33	33	
B	91	12	56	22	10	147	82	97	
C	33	24	12	56	92	10	47	92	97

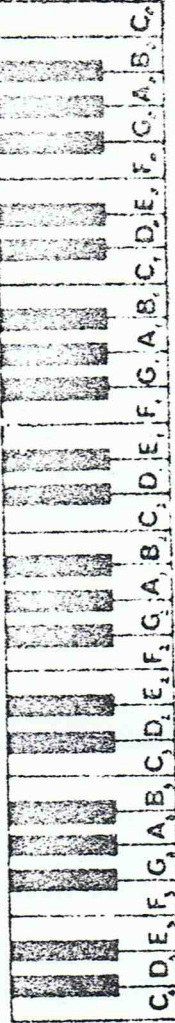
C (nF)

IC₄ = SAJ110 III
 all diodes are FOH0565 Fairchild
 or BA 130 SGS
 or D 407 Texas

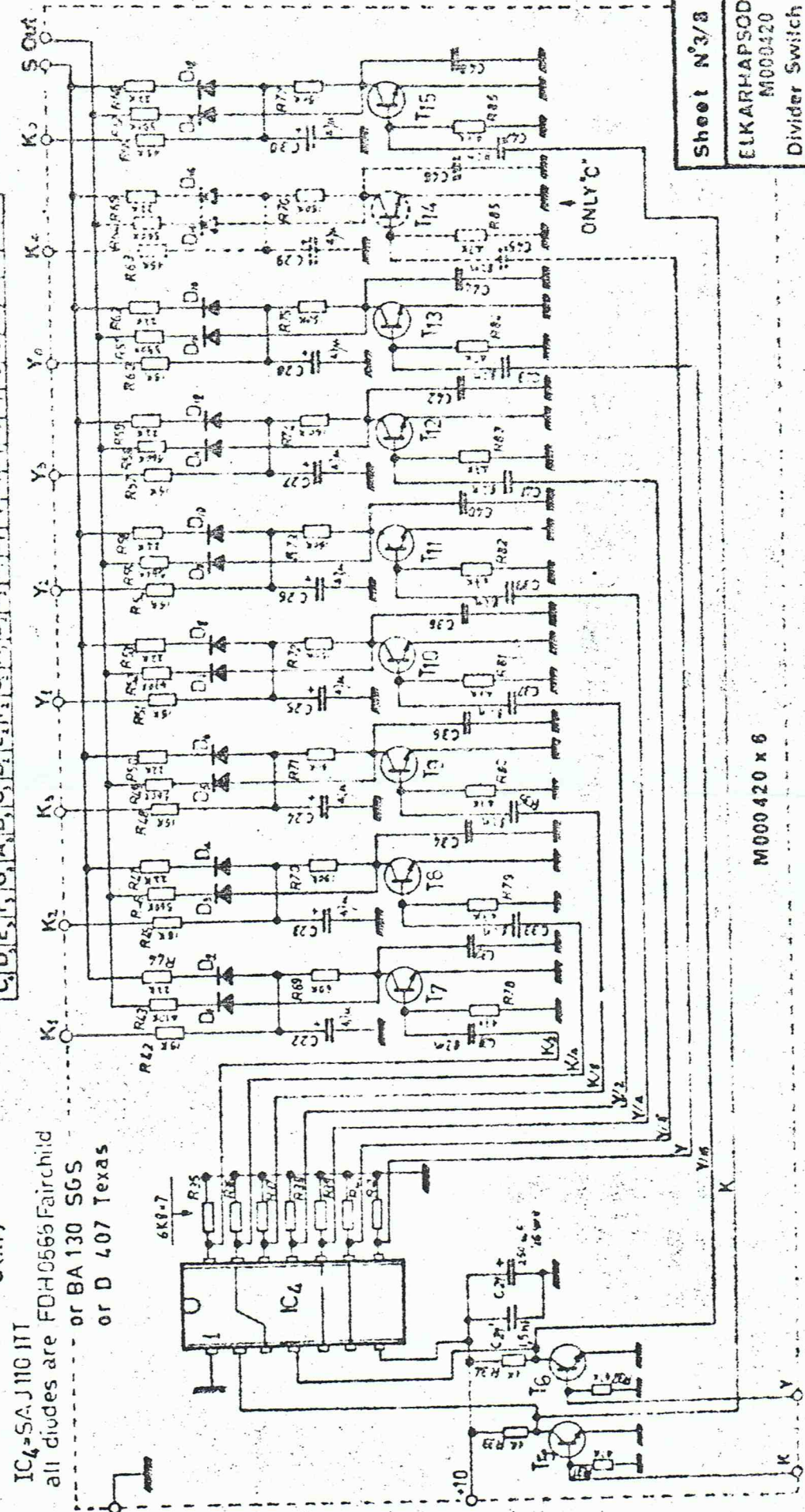
M000424

+270

06664

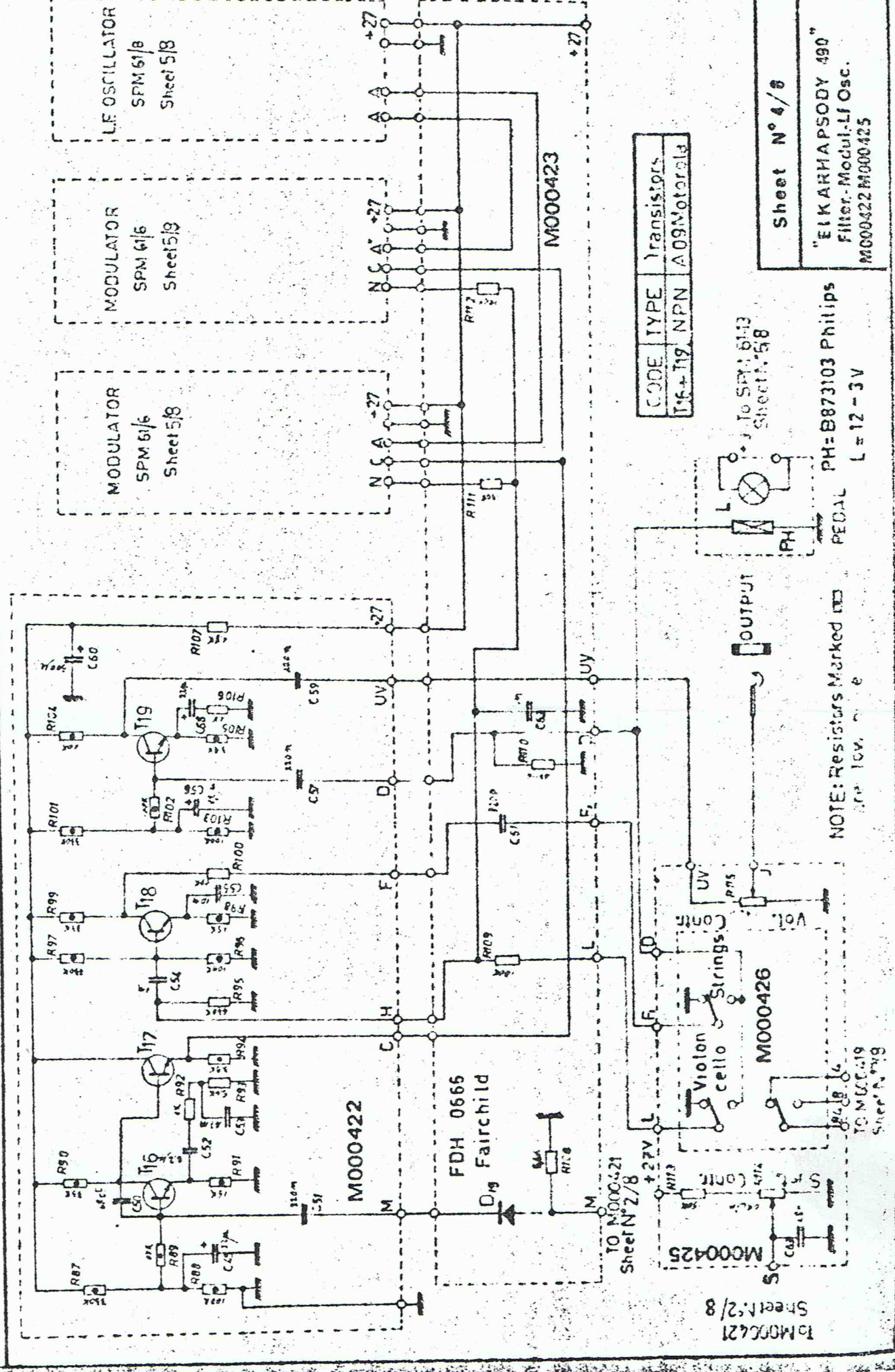


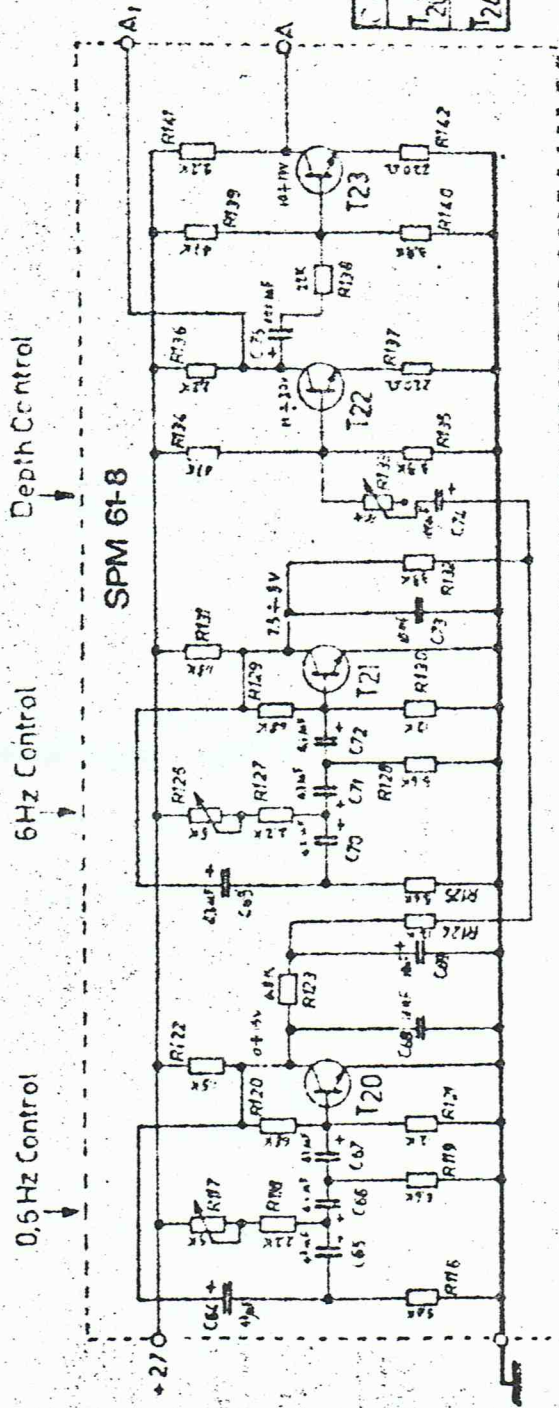
Code Type Bellman 91
 \$1/6 NPN F33505
 Fairchild



Sheet N°3/3
 ELKARHAPSODY490
 M000420
 Divider Switch

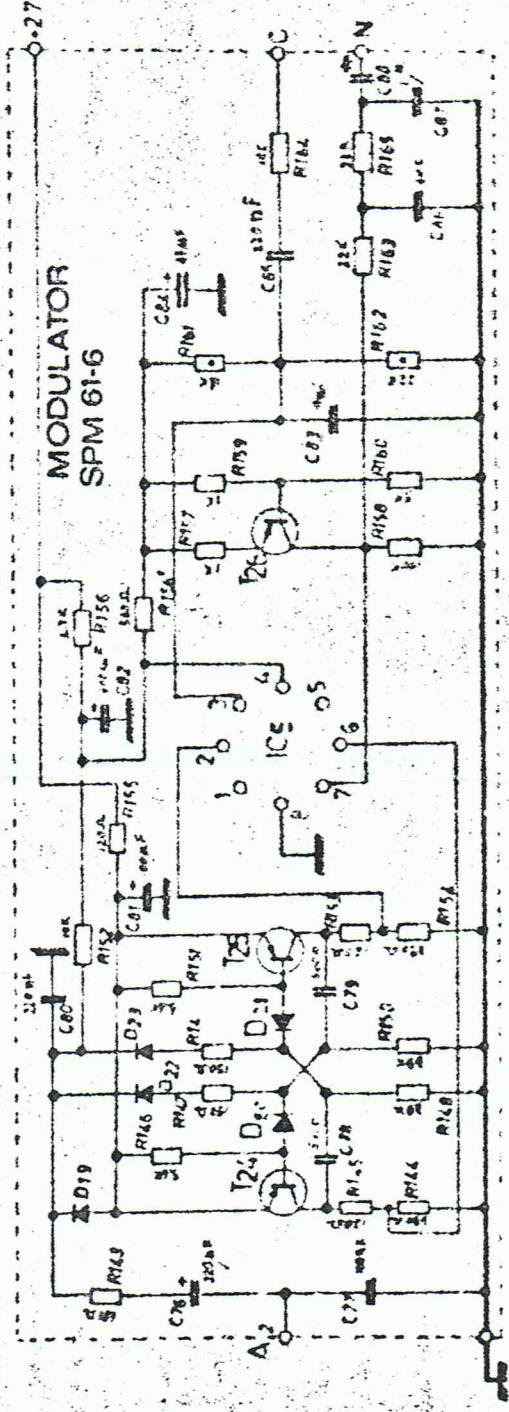
M000420 x 6





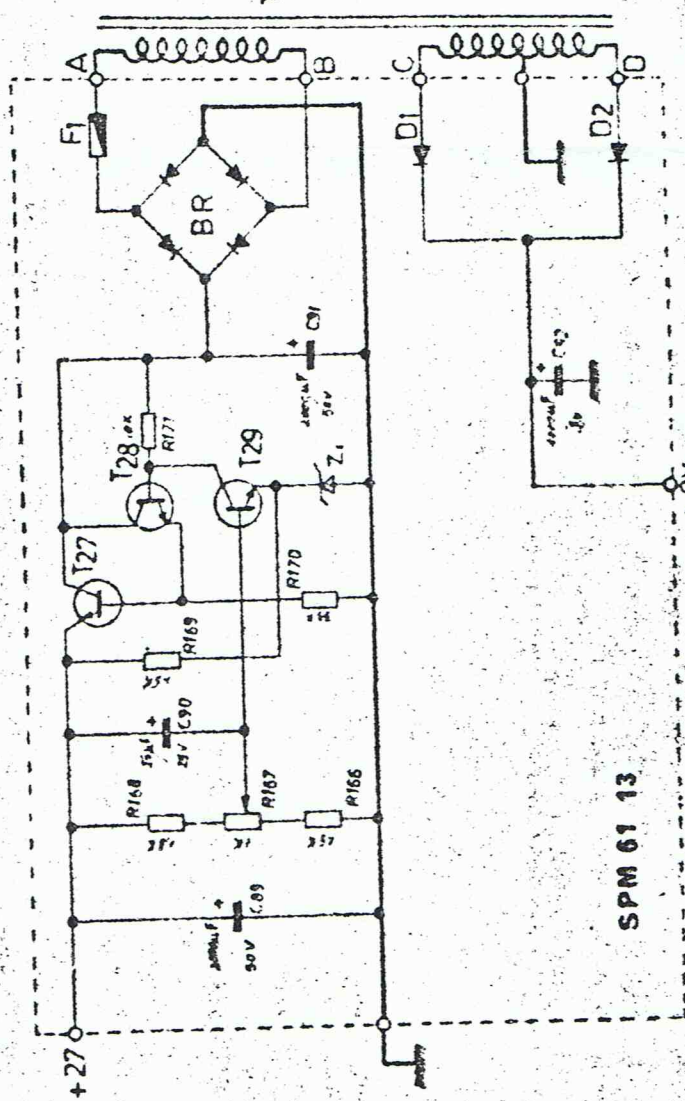
Code	Type	Transistors
T20, T23	NPN	A09 Motorola
T22, T27	NPN	BC154 Fairchild

IC5=IC A 550 ITT



NOTE: Resistor marked \square are low noise

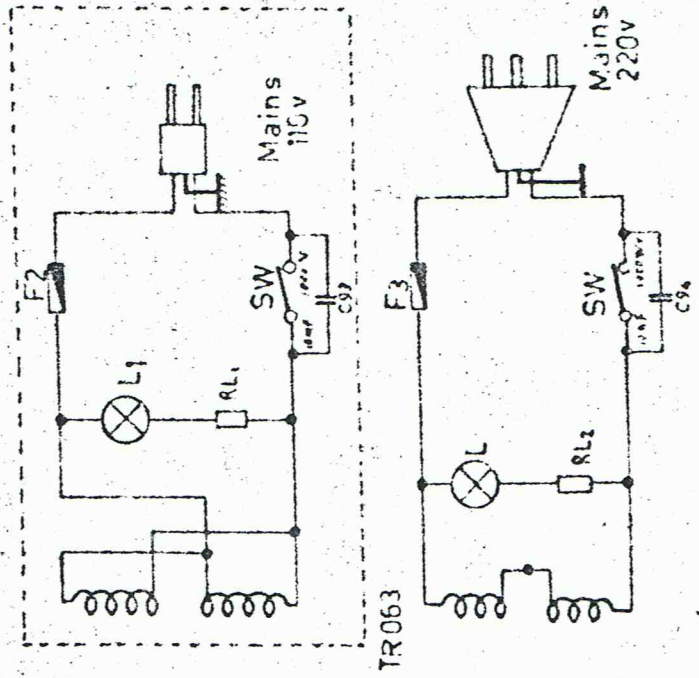
POWER SUPPLY



SPM 01 13

To Lamp of
Swell Pedal
Sheet N°46

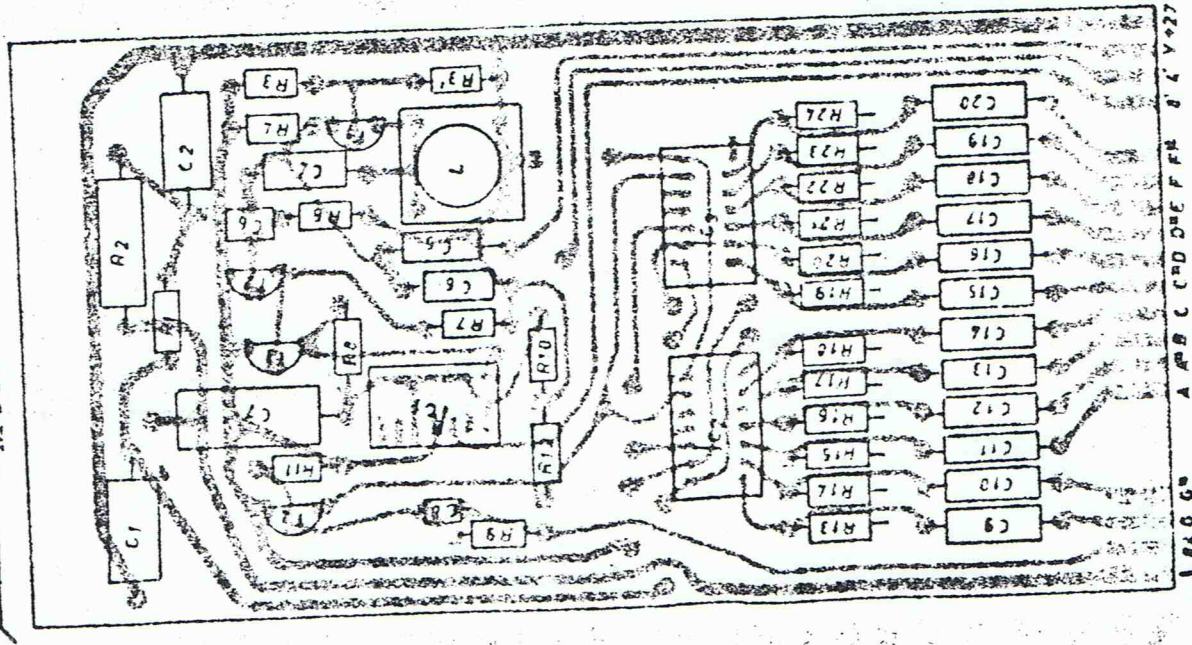
- Z1 = TZ111-FL117-1N4153 B
- BR = W 02
- D1-D2 = 1002 1N4003
- F1 = 1.25A
- F2 = 500mA
- F3 = 315 mA
- TR = Transformer 063 ELKA (Ec/70401)
- SW+L = Neon 220V/1108R/NB 2



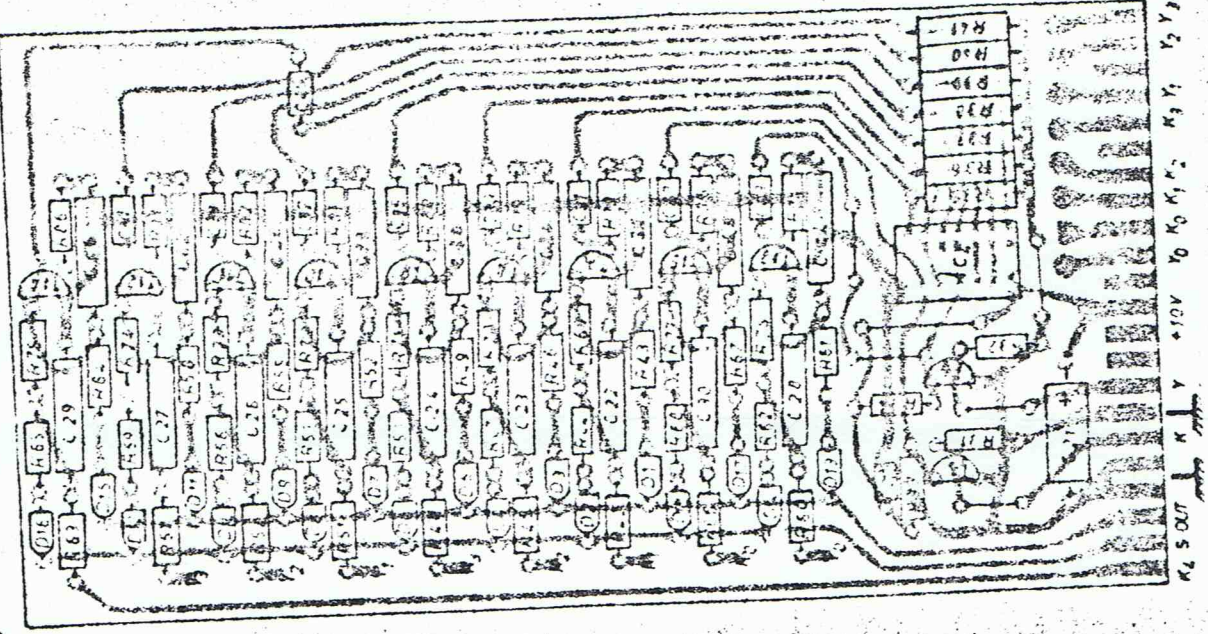
CODE	TYPE	Transistors
T28-T29	NPN	BC285SGS 2N4401-2N5156
T27	NPN	Fairchild 2N3055Mistral Motorola

Sheet N° 6 / 8
ELKARHAPSODY 490
POWER SUPPLY
SPM 61/13

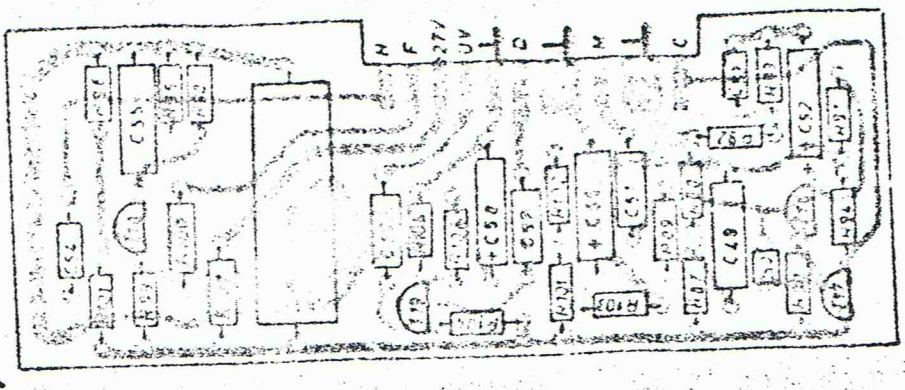
M000419



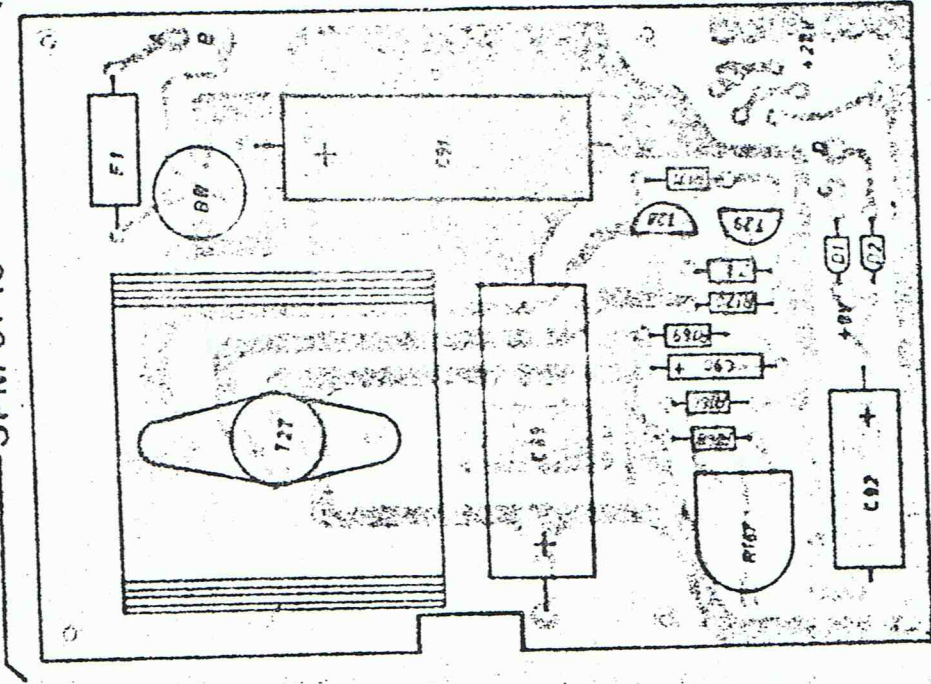
M000420



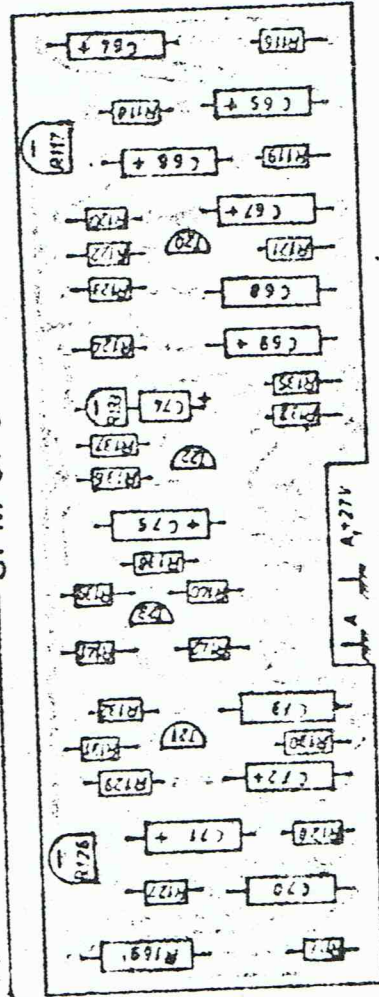
M000422



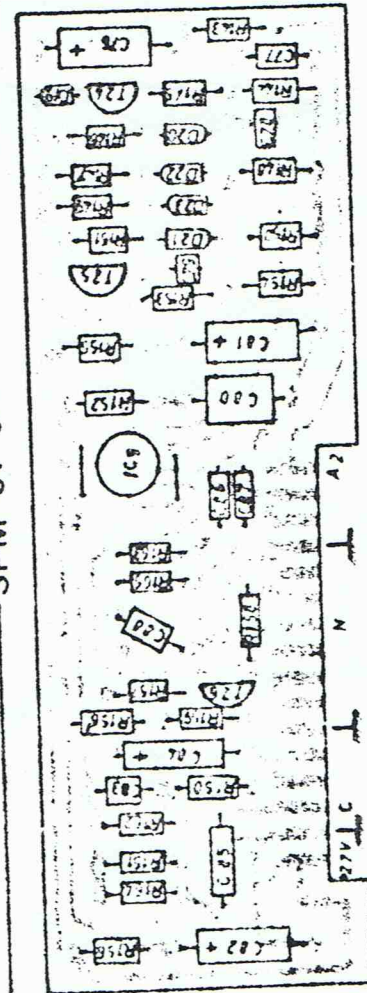
SPM 61-13



SPM 61-8



SPM 61-6



Model ELWA
 4N4P50.7
 490

Object: Assembly of Printed Circuit SPM 61-6
 SPM 61-4 SPM 61-13

Sheet N 8-8
 Date 3-9-74