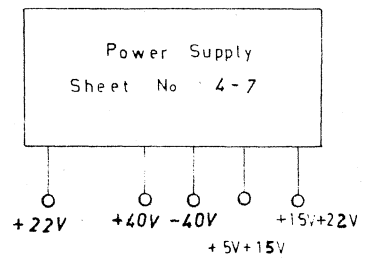
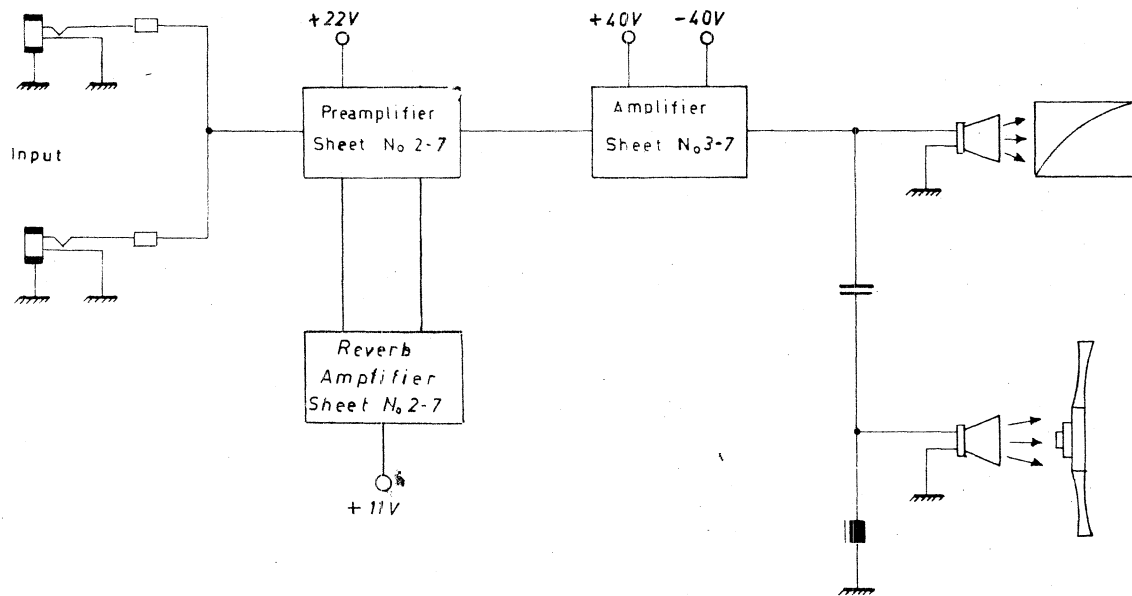


ELKA

ELKATONE

610


schematic diagrams

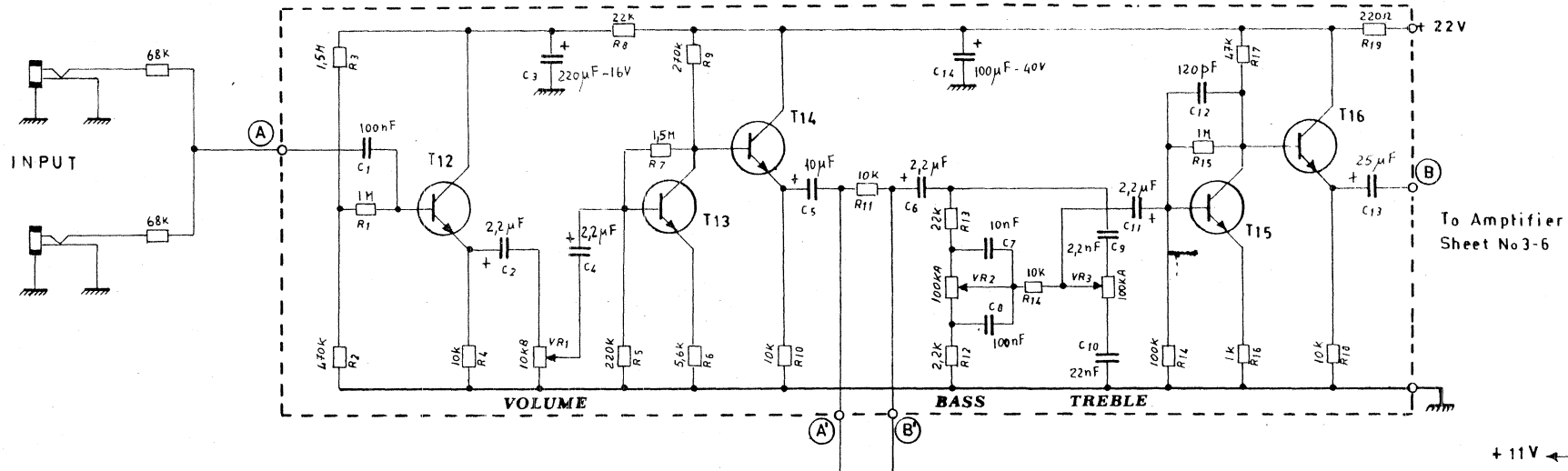


Designed by
[Signature]

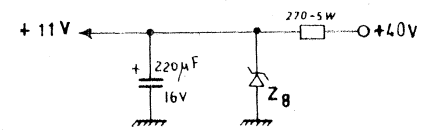
Drawn by
[Signature]

Checked by
[Signature]

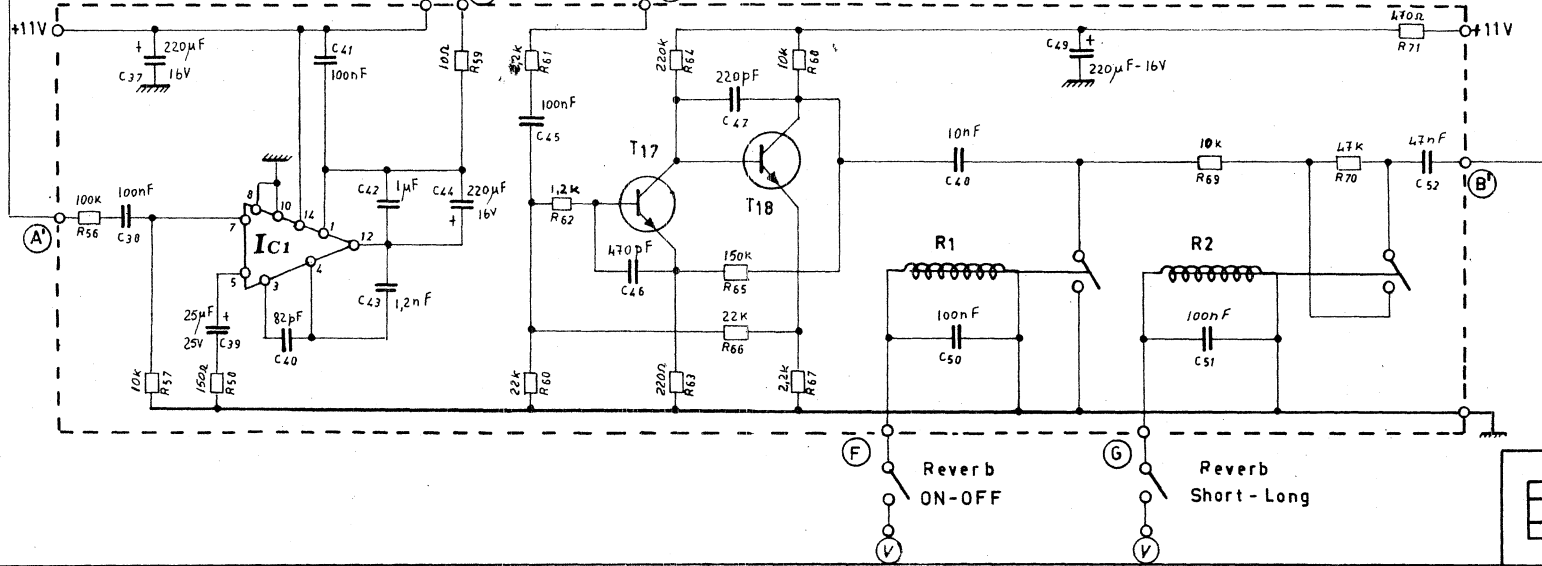
	Model	Object:	Sheet No 1-7
	Elkatone 610	Block Diagram	Date 20-2-75



To Amplifier Sheet No 3-6



Z₈ = TZ 111



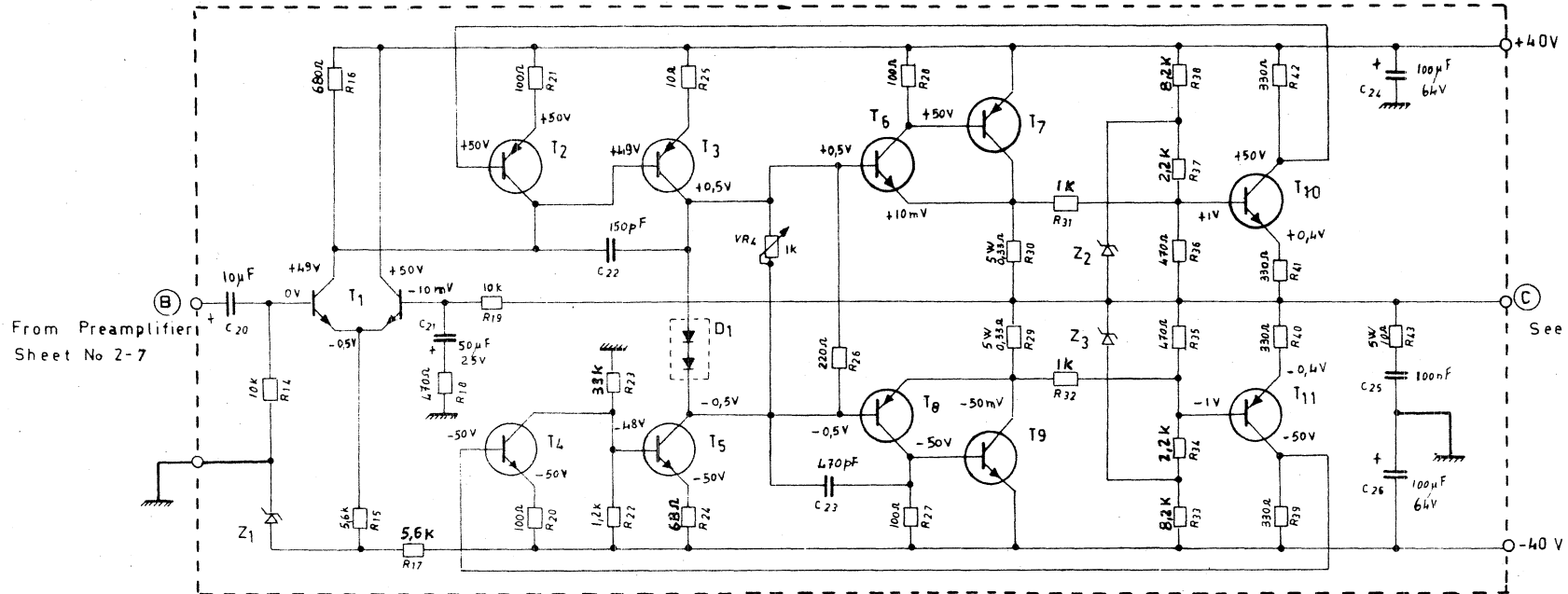
Code	Type	Transistors
T ₁₂ ÷ T ₁₈	NPN	BC 209 Fairchild etc..... or MPS A09 Motorola

R₁ = R₂ = 1005 1125. 1012. ARCO 288Ω
Re = Reverb Unit, Hammond type

IC₁ = TA 611 A 12 SGS.

	Model	Object	Sheet No 2-7
	Elkatone 610	Preamplifier and Reverb Amplifier	Date 24-11-75

AMPLIFIER 300-2 Sheet No 5-7



From Preamplifier
Sheet No 2-7

See Sheet No 4-7

Code	Type	Transistors
T1	NPN	MD 8002
T2	PNP	MPSA 70 Motorola
T3 - T8	PNP	MPSU 56 or BD 520 Motorola
T4	NPN	MPSA 20 Motorola
T5 - T6	NPN	MPSU 06 or BD 519 Motorola
T7	PNP	MJ4502 Motorola
T9	NPN	MJ802 Motorola
T10	NPN	MPSL01 Motorola
T11	PNP	MPSL51 Motorola

D1 = MZ 2361


Z1 = 1N5240

Z2 = 1N5236

Z3 = 1N5236

Note:

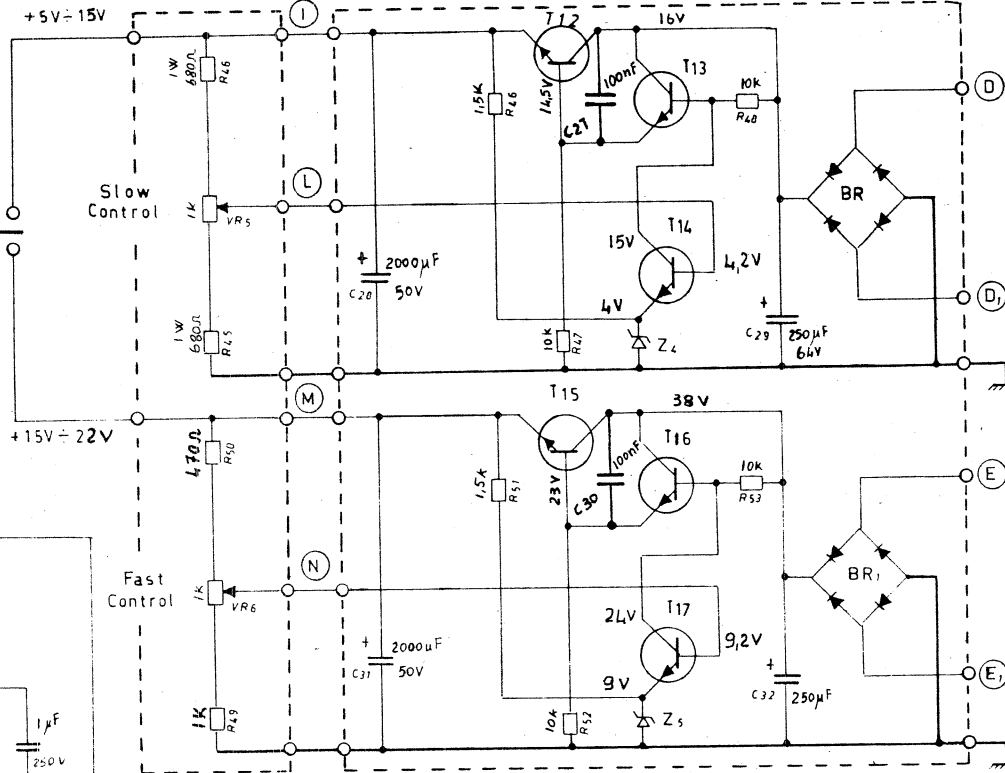
All resistors are $\frac{1}{2}$ W unless otherwise indicated

	Model	Object:	Sheet No 3-7
	Elkatone 610	Amplifier	Date 6-5-75

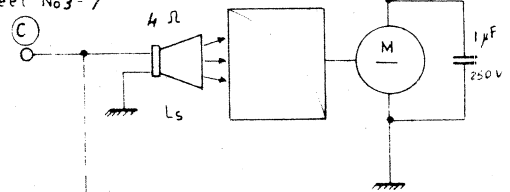
N.B. The tension indicated in the power supply of the two velocities of the motor have been registered with the slow and fast potentiometers at maximum

AMP 5

POWER SUPPLY AMP 4

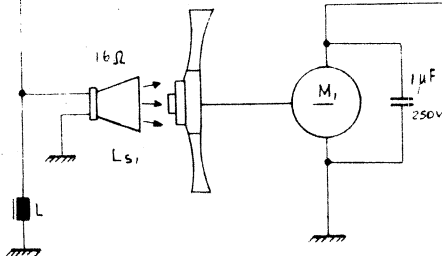


From Amplifier Sheet No 3-7



M = Elka EM 315
Ls = 3353/4

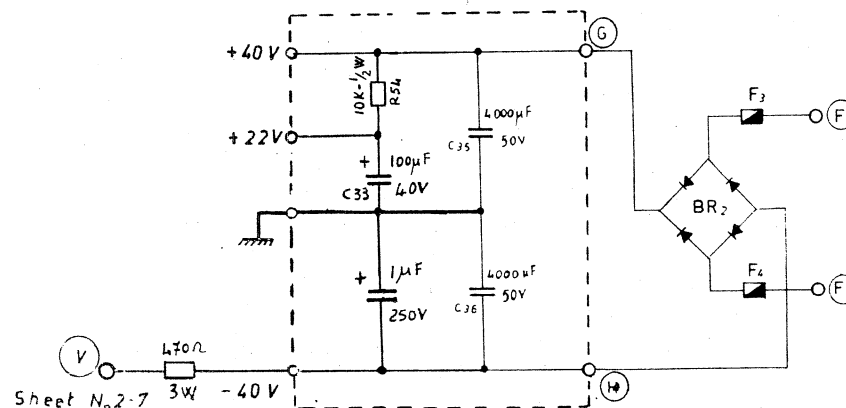
12uF



M1 = Elka EM315
Ls1 = 1W 4060

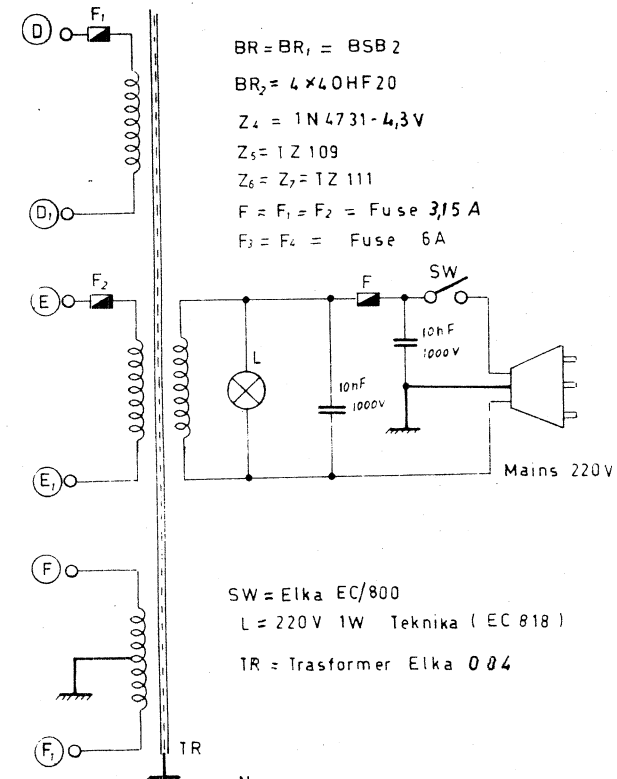
L = 4,7 mH

POWER SUPPLY M000566



Sheet No 2-7

Code	Type	Transistors
T12-T15	NPN	2N3055 Fairchild Mistral
T13-T14	NPN	2N5856 Fairchild or BC 286 SGS
T16-T17	NPN	2N5856 Fairchild or BC 5856 SGS



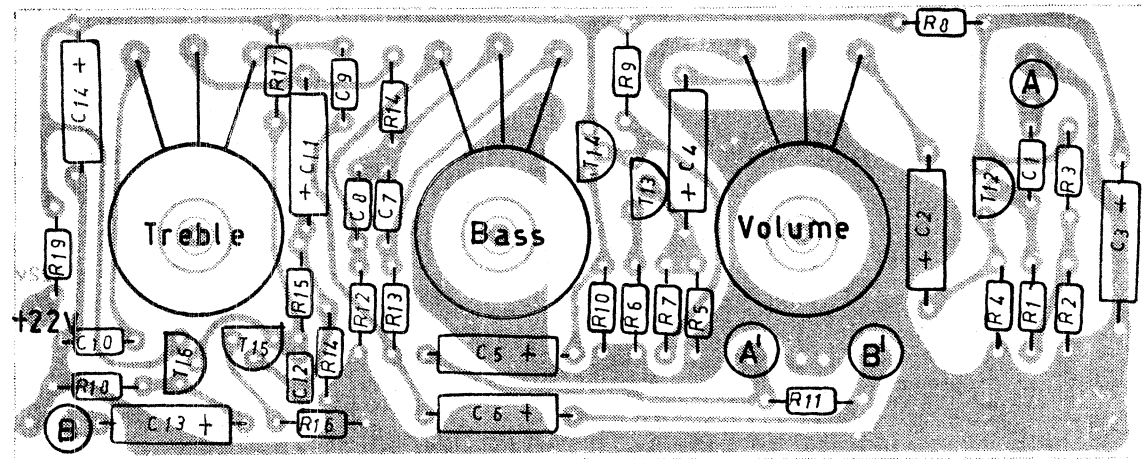
BR = BR1 = BSB 2
BR2 = 4 x 40HF 20
Z4 = 1N 4731-4,3V
Z5 = 1Z 109
Z6 = Z7 = 1Z 111
F = F1 = F2 = Fuse 3,15 A
F3 = F4 = Fuse 6 A

SW = Elka EC/800
L = 220V 1W Teknika (EC 818)
TR = Trasformer Elka 004

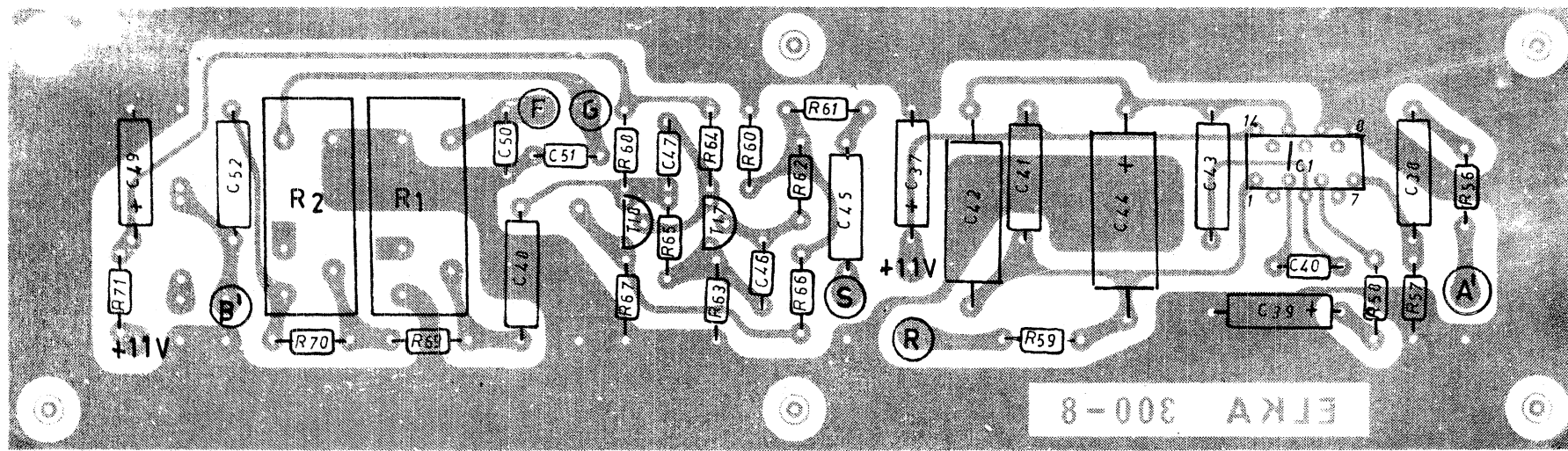
Note:
All resistors are 1/2 W unless otherwise indicated

	Model	Object:	Sheet No 4-7
	Elkatone 610	Power Supply	Date 19-2-75

C000605

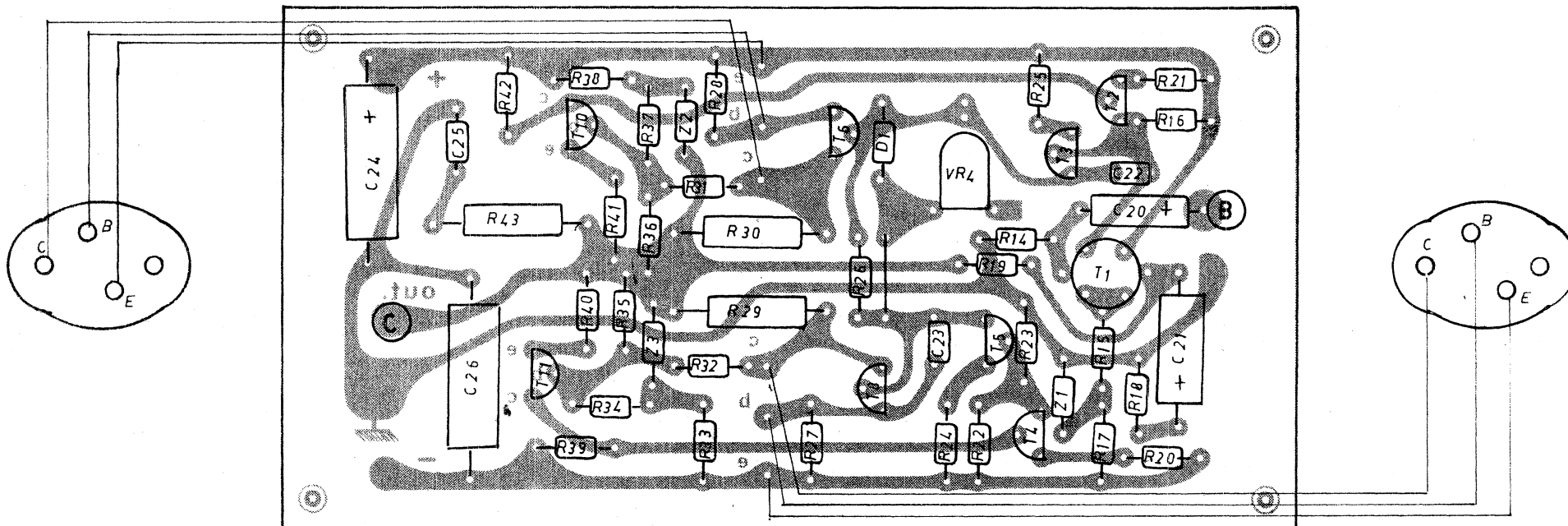


300-8



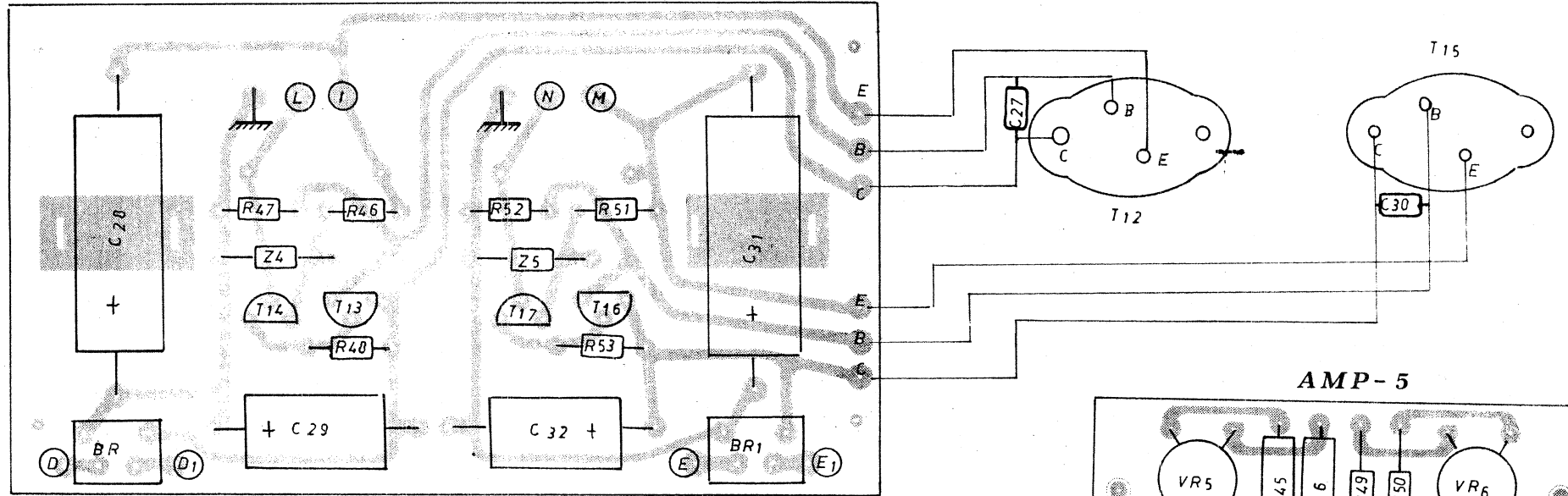
	Model	Object	Sheet No 5-7
	ELKATONE 610	Assembly of Printed Circuit	Date 27-11-7

300 - 2

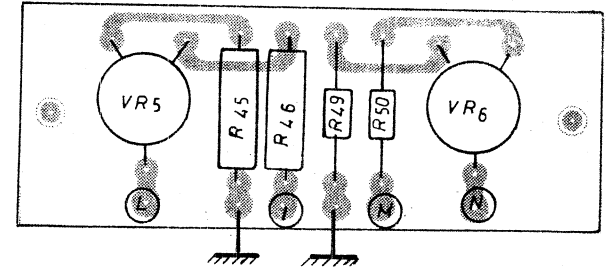


	Model	Object:	Sheet No 6-7
	ELKATONE 610	Assembly of Printed Circuit	Date 27-11-7

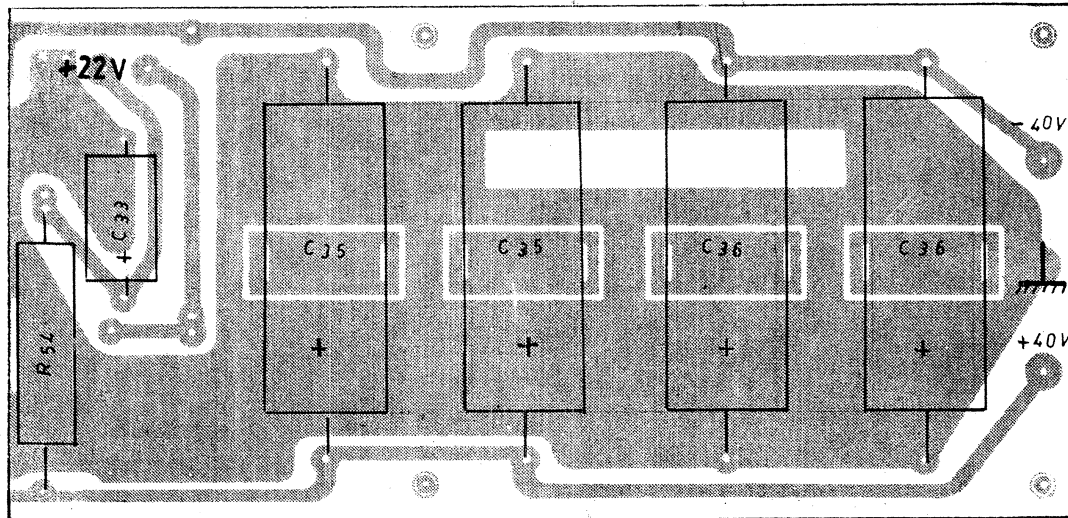
AMP-4




AMP-5



F000566



	Model	Object:	Sheet No 7-7
	Elkatone 610	Assembly of Printed Circuit	Date 27-2-75