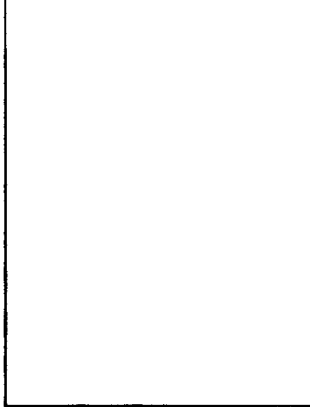
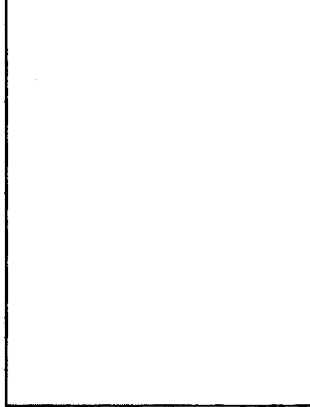


CHANNEL INSERTS & DIRECT OUTS



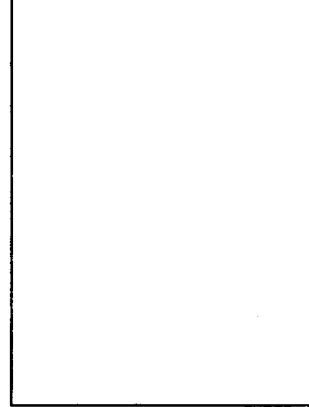
SHEET 2

L-R INSERTS & MAIN L/S OUTS



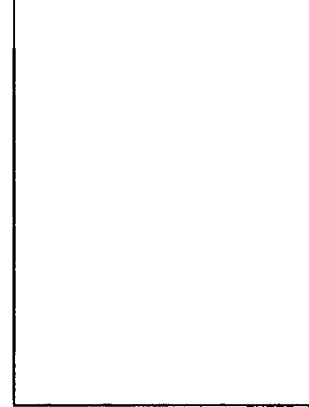
SHEET 3

ALT L/S, UNBAL & TAPE OUTS



SHEET 4

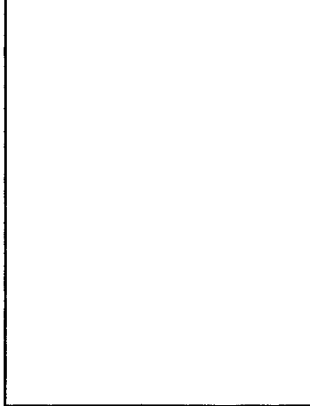
PHONES OUT & CONNECTORS



SHEET 5

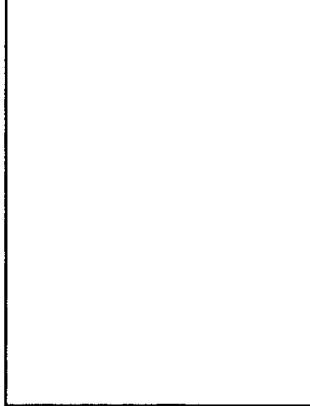
PC233A

CHAN LN/INST IN & FX SEND



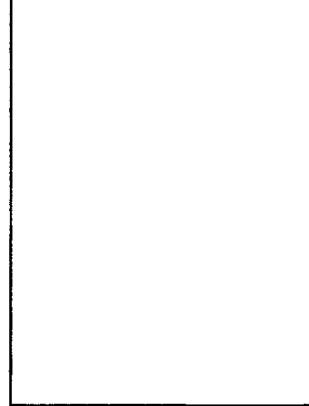
SHEET 6

2TK 1 & 2 INPUTS



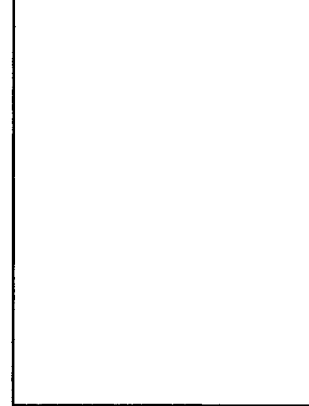
SHEET 8

2TK 3 & 4 INPUTS



SHEET 7

FX RETURN & CONNECTORS



SHEET 9

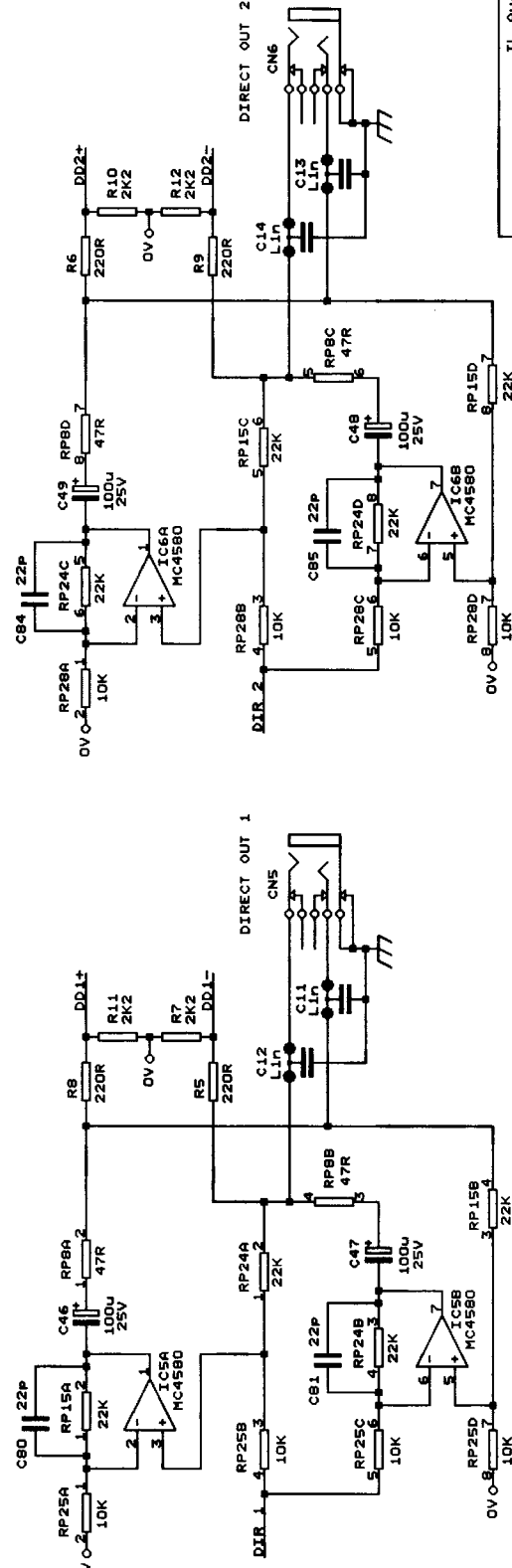
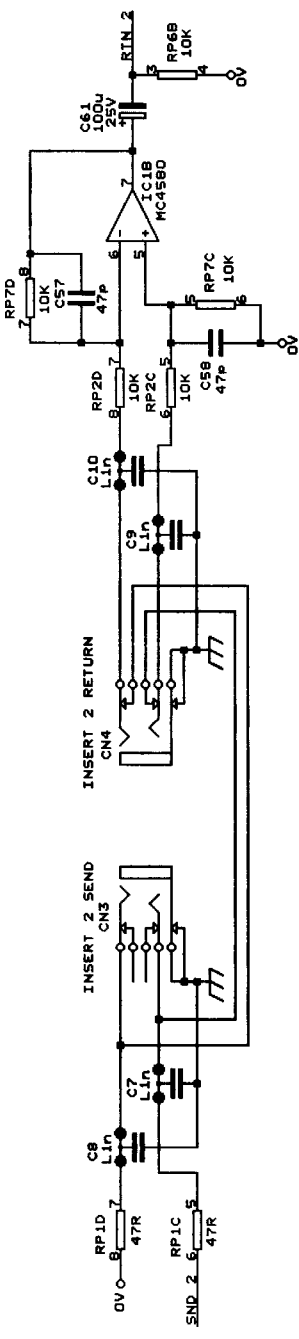
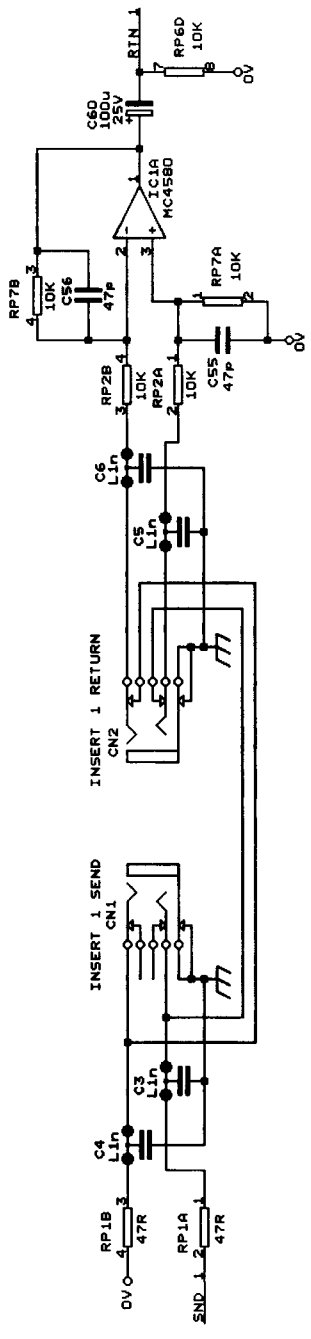
PC233B

ISSUE	FROM S/N	TO S/N
1	850001	

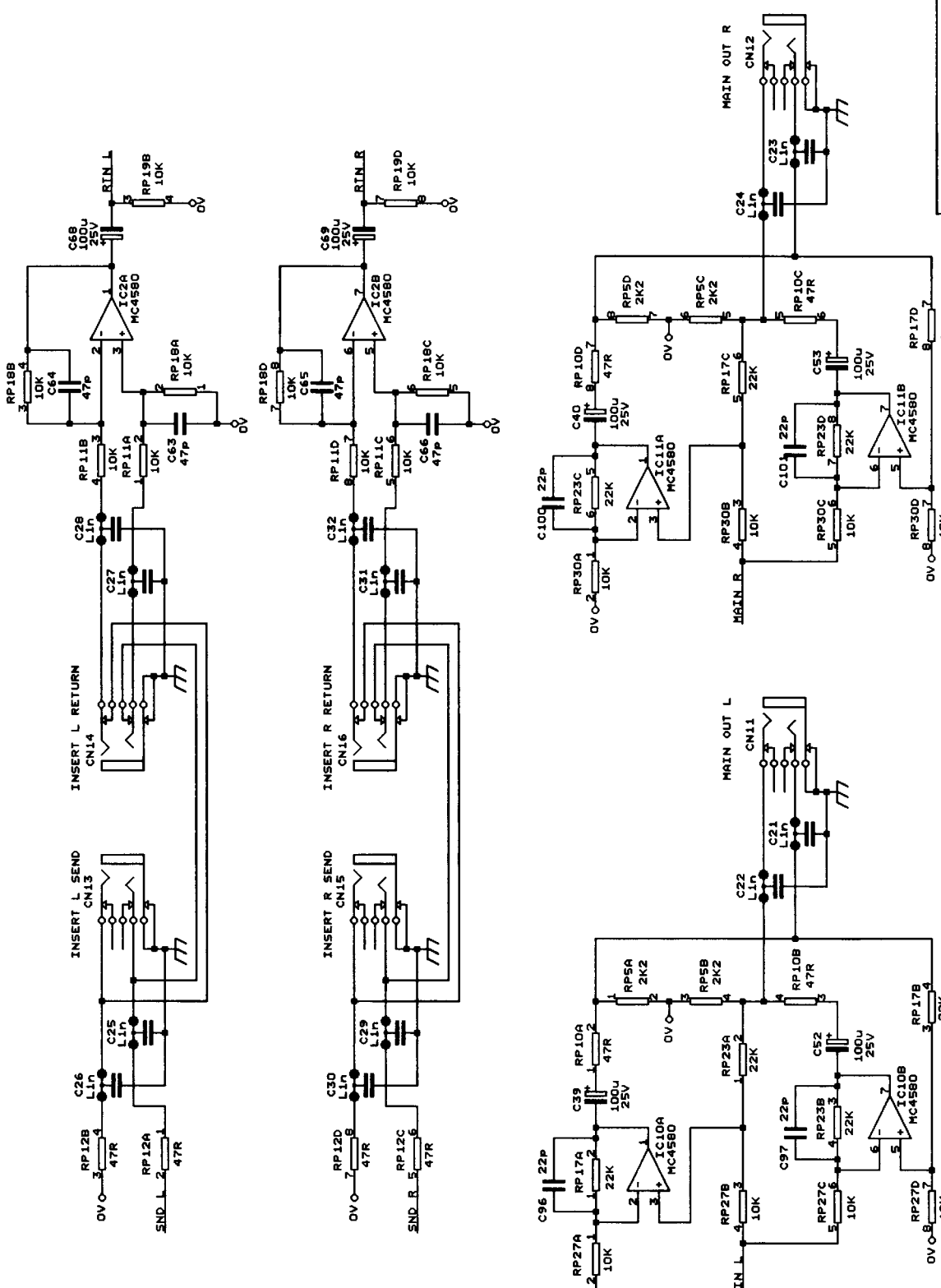
ISSUE	FROM S/N	TO S/N

CAUTION! HIGH VOLTAGE. REFER SERVICE TO QUALIFIED PERSONNEL ONLY.

TL Audio		
Copyright 2007		
Title		
FAT TRACK I/O		
Size	Document Number	REV
B	CD1233	1
Date:	February 19, 2008	Sheet 1 of 9

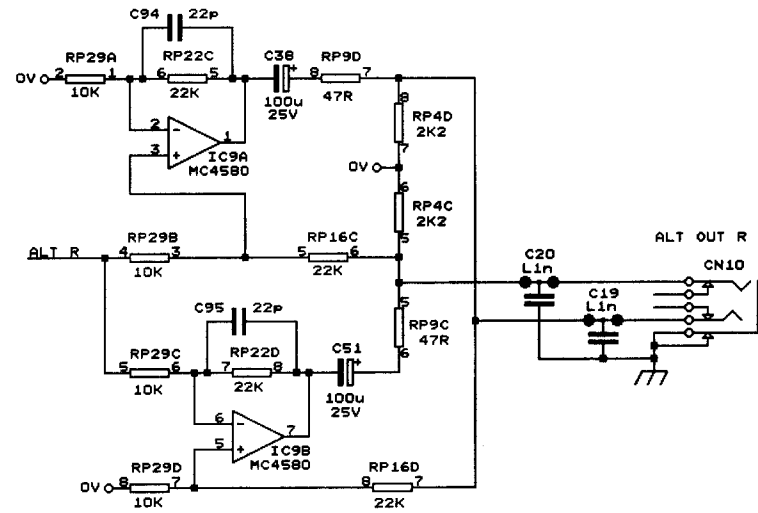
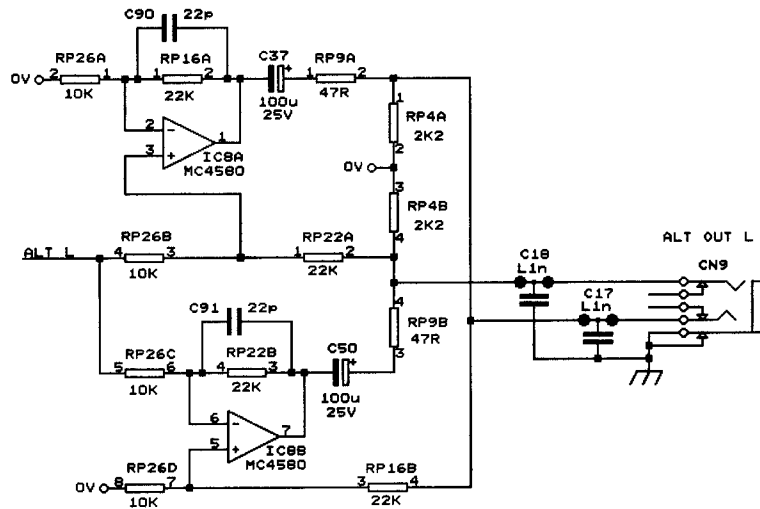
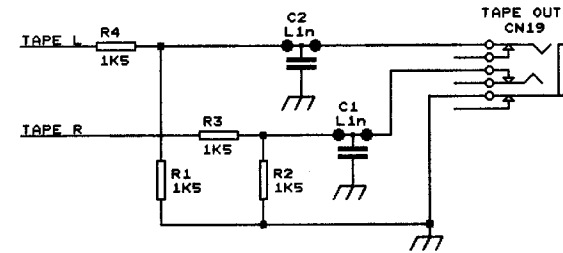
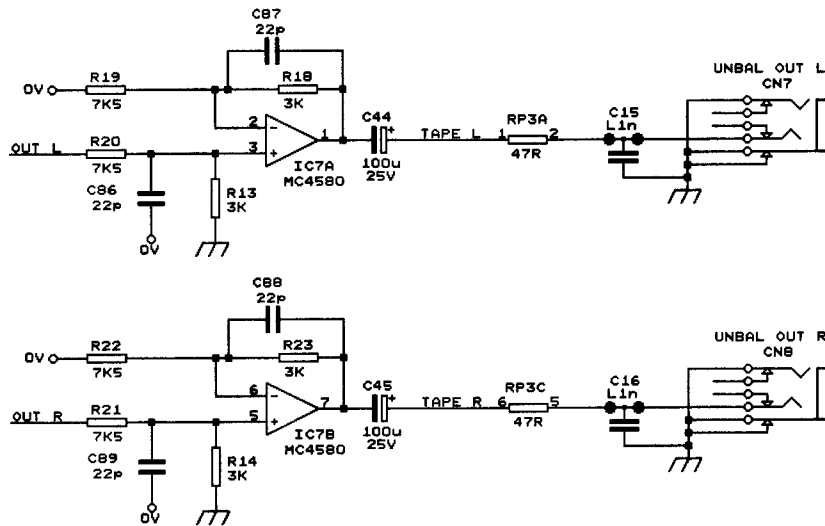


TL Audio
Copyright 2007
FAT TRACK I/O
Size Document Number CD1233
REV 1
Date: March 19, 2007 Sheet 2 of 3

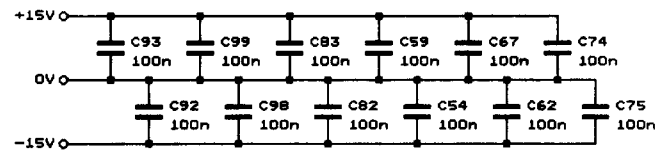
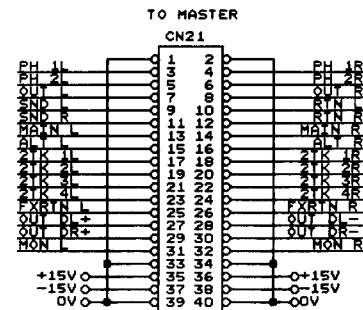
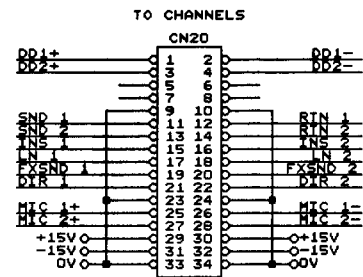
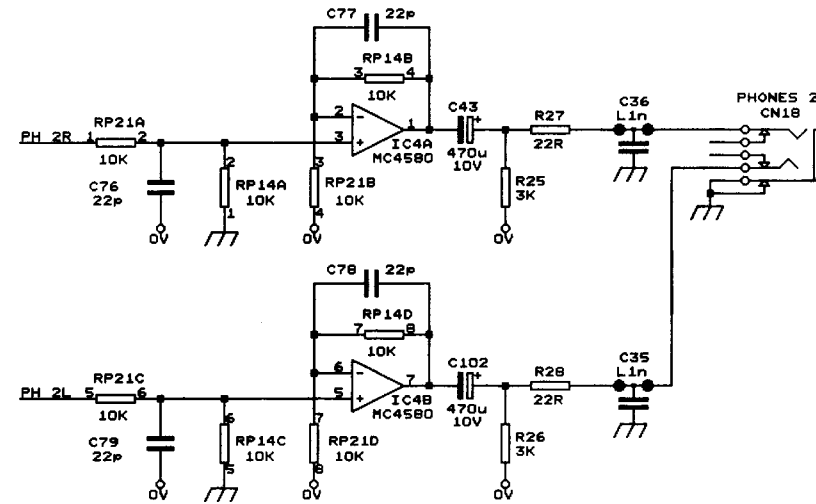
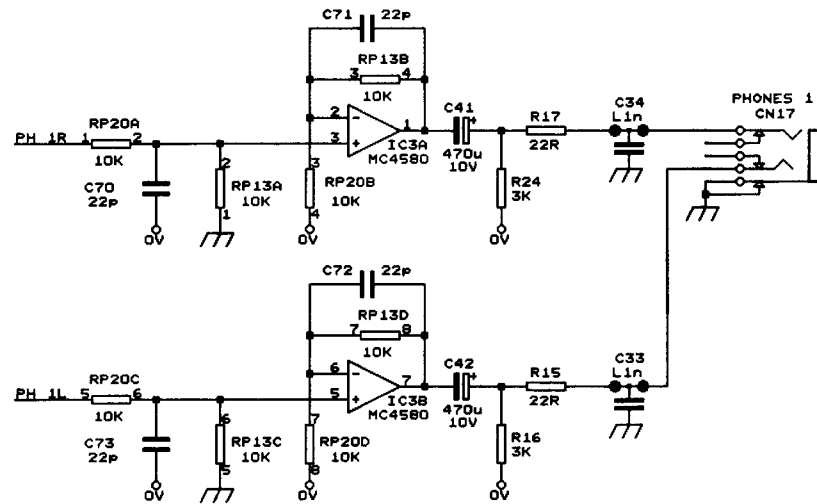


Title TL Audio
 Copyright 2007
 FAT TRACK I/O
 Size Document Number CD1233
 B
 Date: March 19, 2007 Sheet 3 of 3

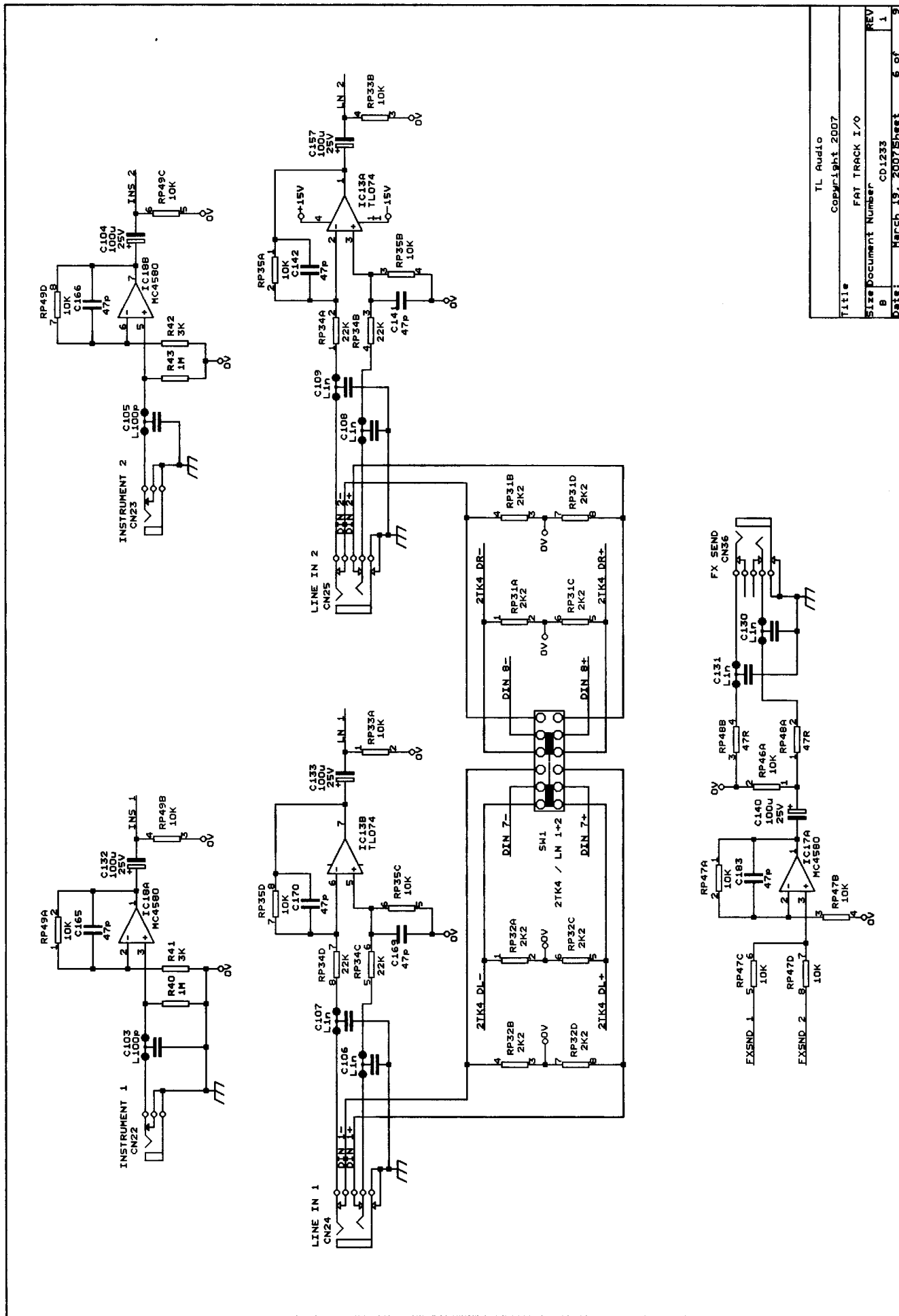
REV 1
 1



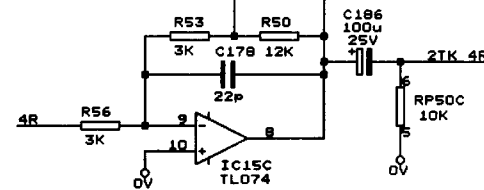
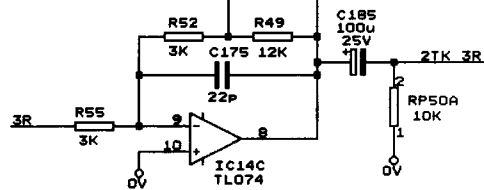
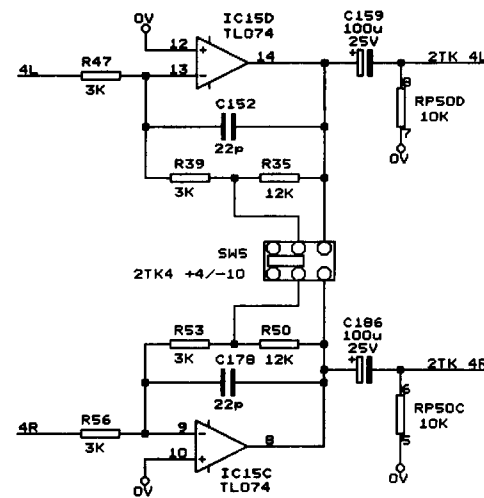
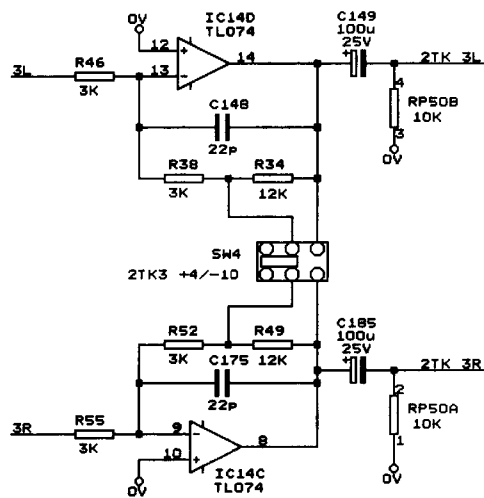
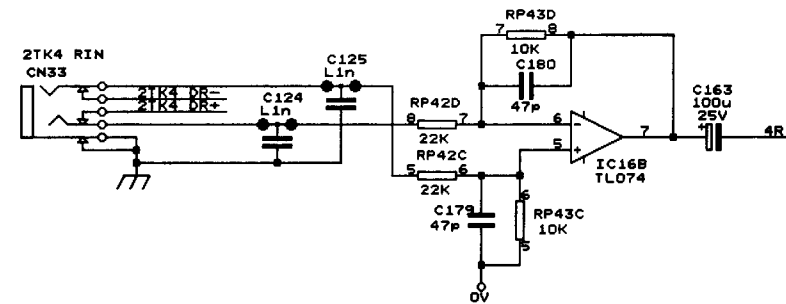
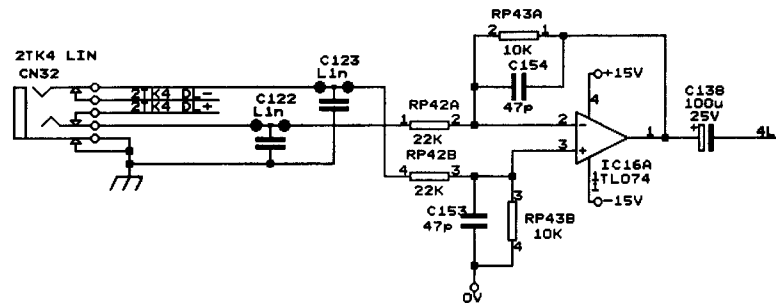
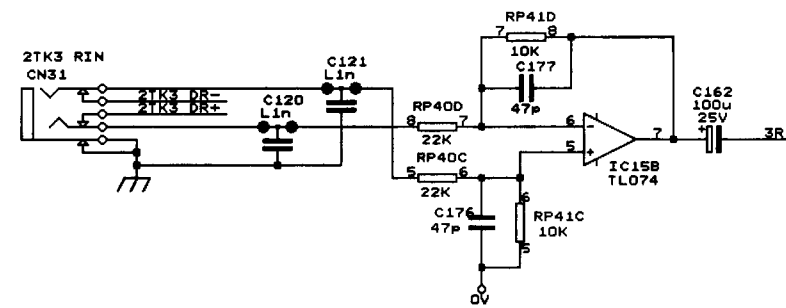
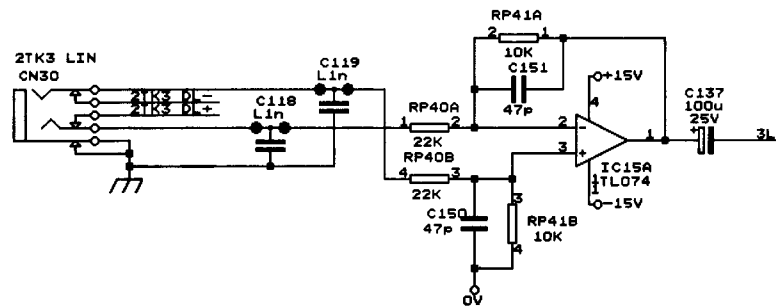
TL Audio	
Copyright 2007	
Title FAT TRACK I/O	
Size Document Number	REV
B CD1233	1
Date: October 4, 2007 Sheet 4 of 9	



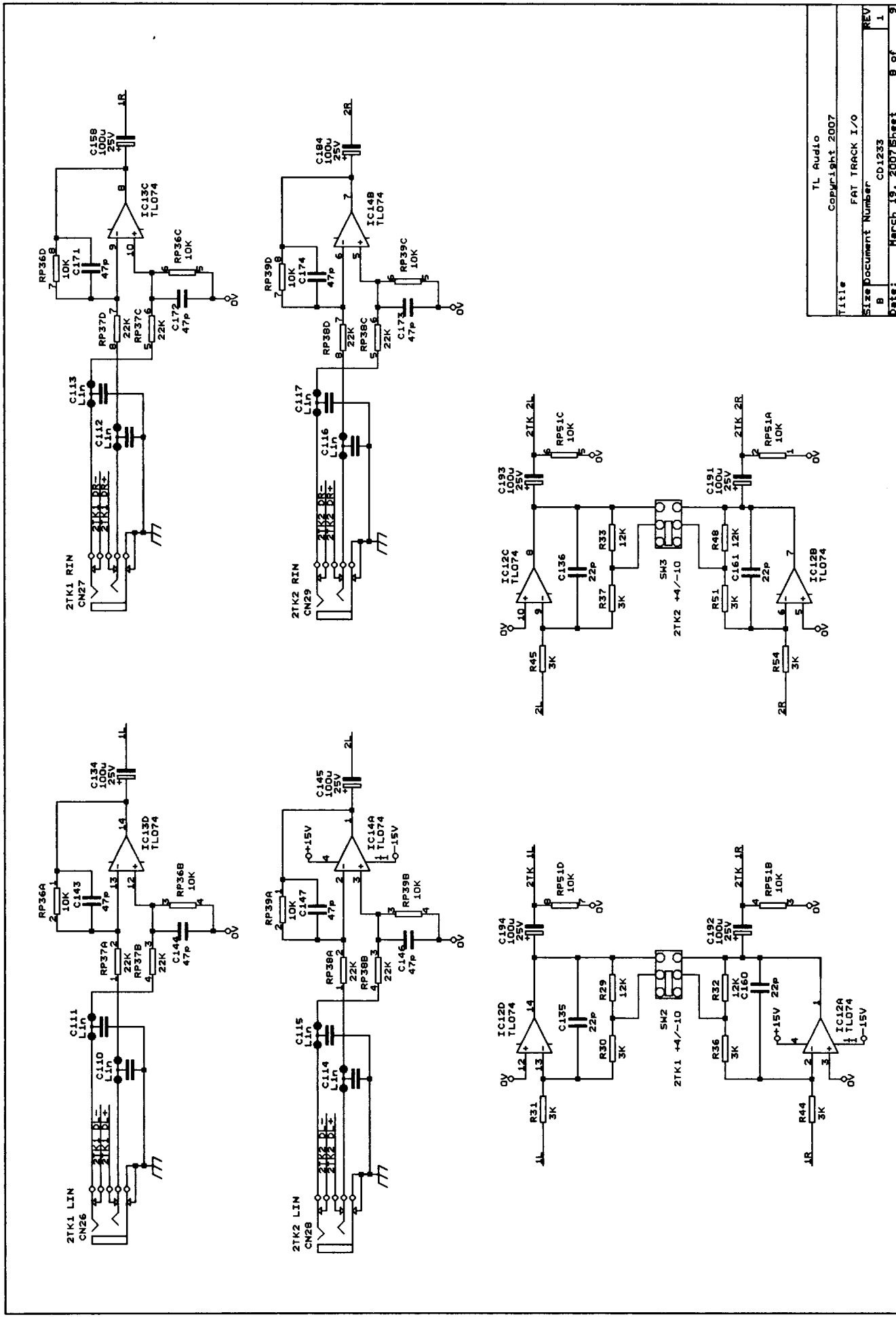
TL Audio	
Copyright 2007	
Title	
FAT TRACK I/O	
Size	Document Number
B	CD1233
Date:	October 4, 2007
Sheet	5 of 9
REV	1



Title		TL Audio	
Copyright		Copyright 2007	
Size		FAT TRACK I/O	
Document Number		CD1233	
REV	1	Date:	March 19, 2007
Page		6 of 9	

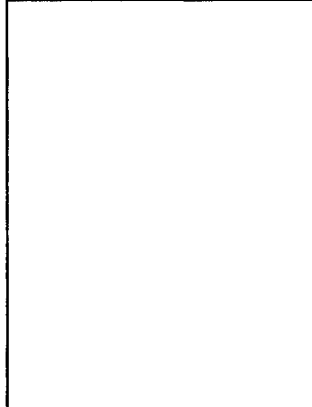


TL Audio	
Copyright 2007	
Title FAT TRACK I/O	
Size Document Number	REV
B CD1233	1
Date: March 19, 2007	Sheet 7 of 9

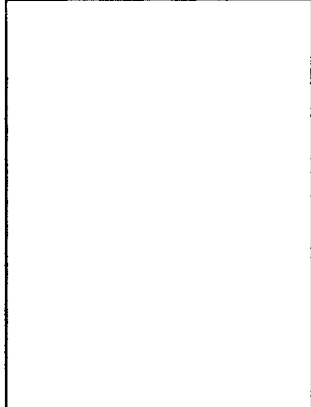


Title	TL Audio
Copyright	Copyright 2007
Size	FAT TRACK I/O
Document Number	CD1233
REV	1
Date	March 19, 2007
Sheet	8 of 9

CHANNEL 1 GAIN SHEET 2

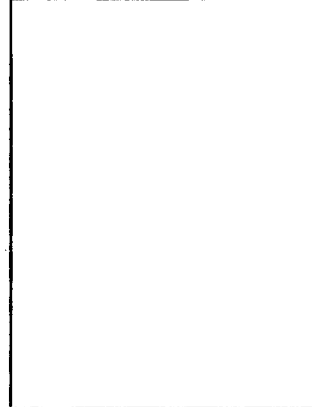


CHANNEL 1 FADER SHEET 3



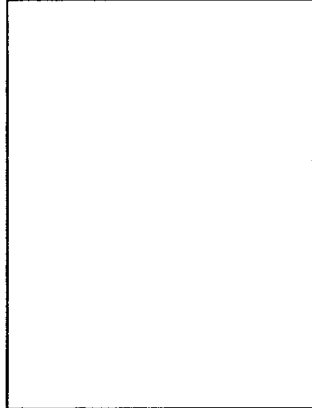
PC234A

CHANNEL 1 EQ SHEET 4

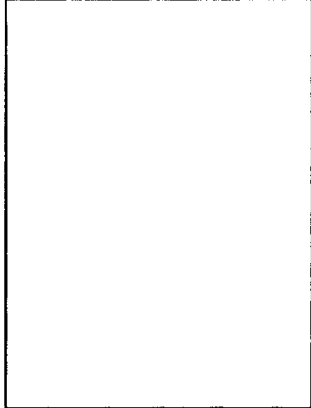


PC234B

CHANNEL 2 GAIN SHEET 5

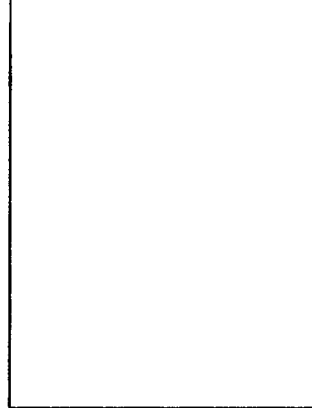


CHANNEL 2 FADER SHEET 6



PC234C

CHANNEL 2 EQ SHEET 7



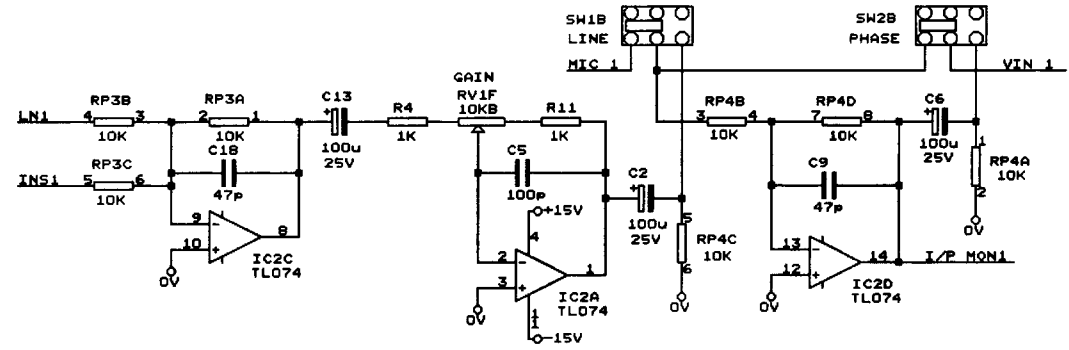
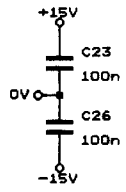
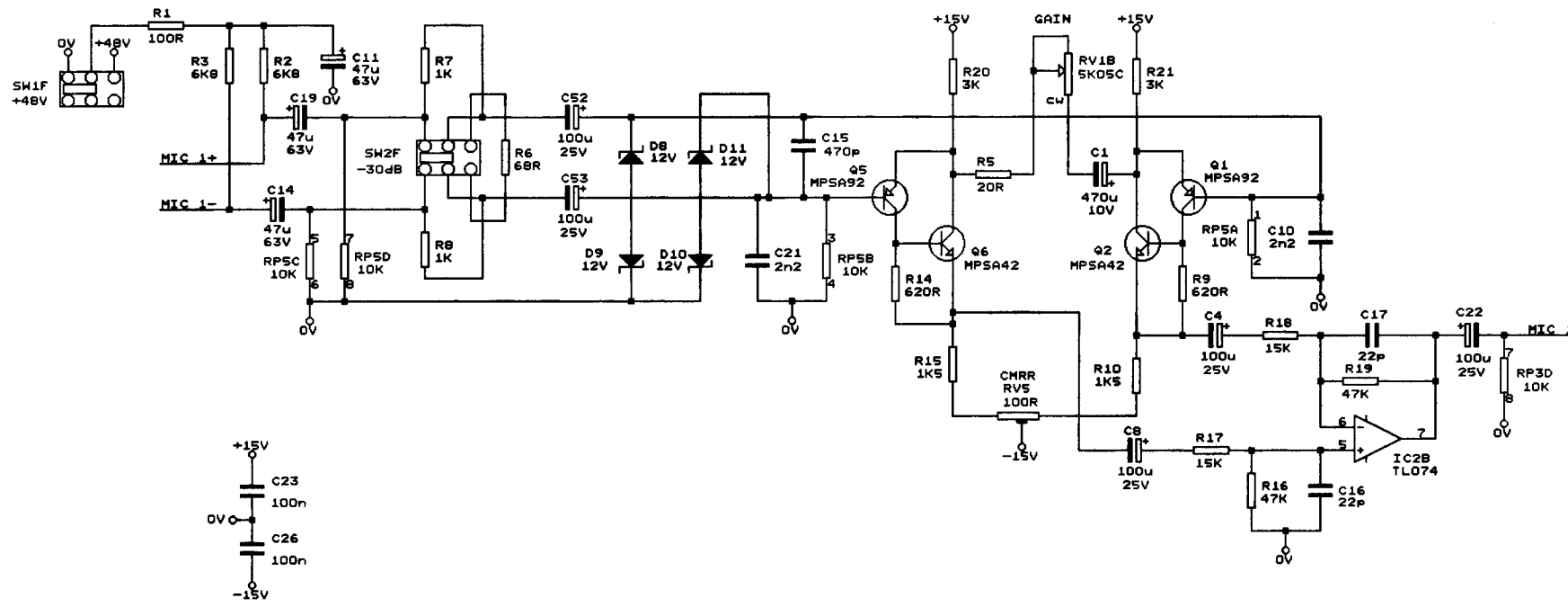
PC234D

ISSUE	FROM S/N	TO S/N
1	850001	

ISSUE	FROM S/N	TO S/N

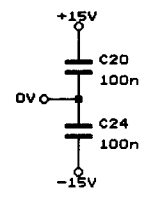
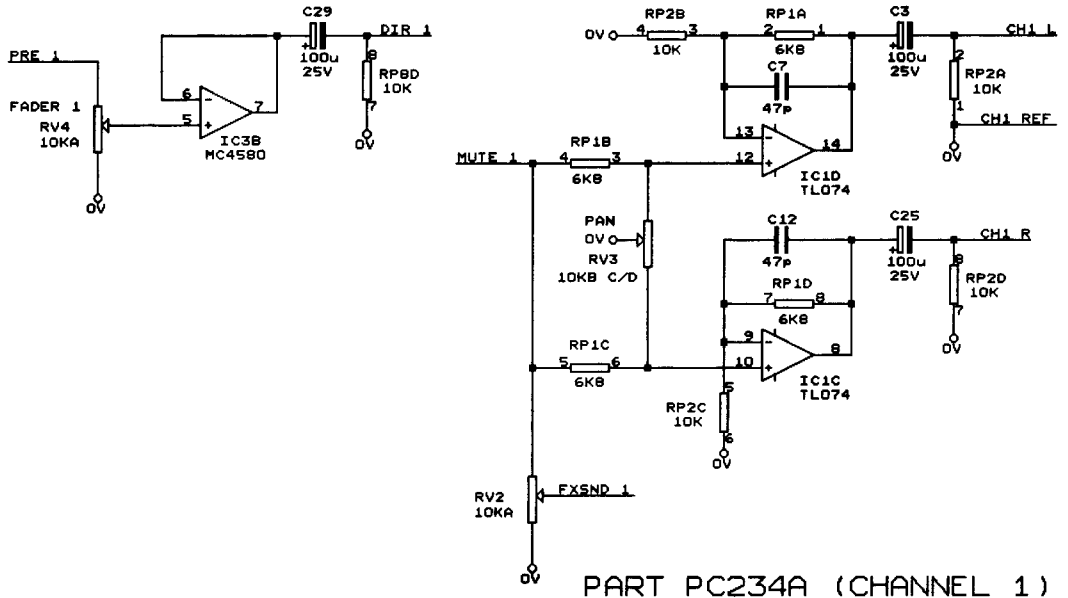
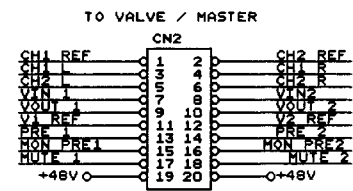
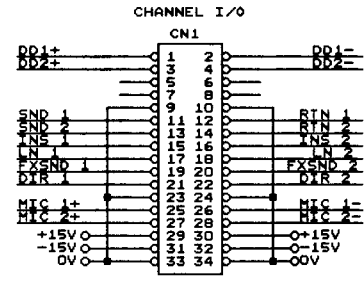
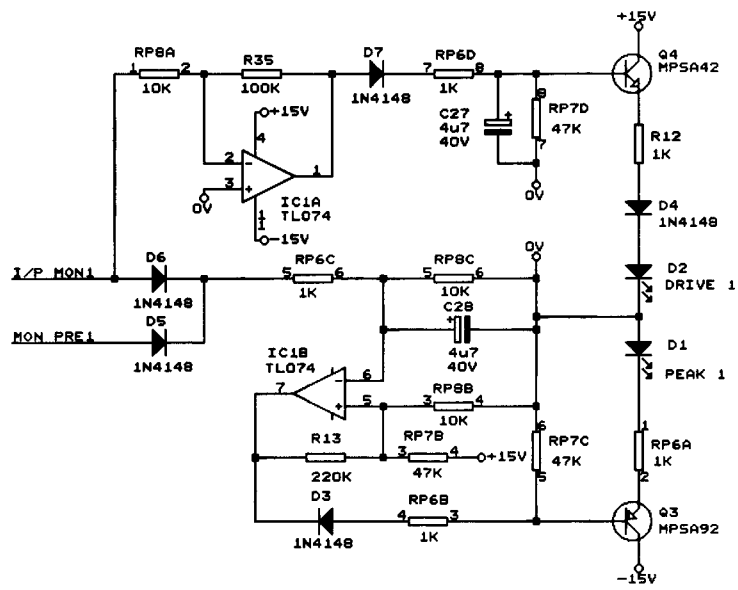
CAUTION! HIGH VOLTAGE. REFER SERVICE TO QUALIFIED PERSONNEL ONLY.

TL Audio		
Copyright 2007		
Title		
FAT TRACK CHANNEL		
Size	Document Number	REV
B	CD1234	1
Date:	February 19, 2008	Sheet 1 of 7



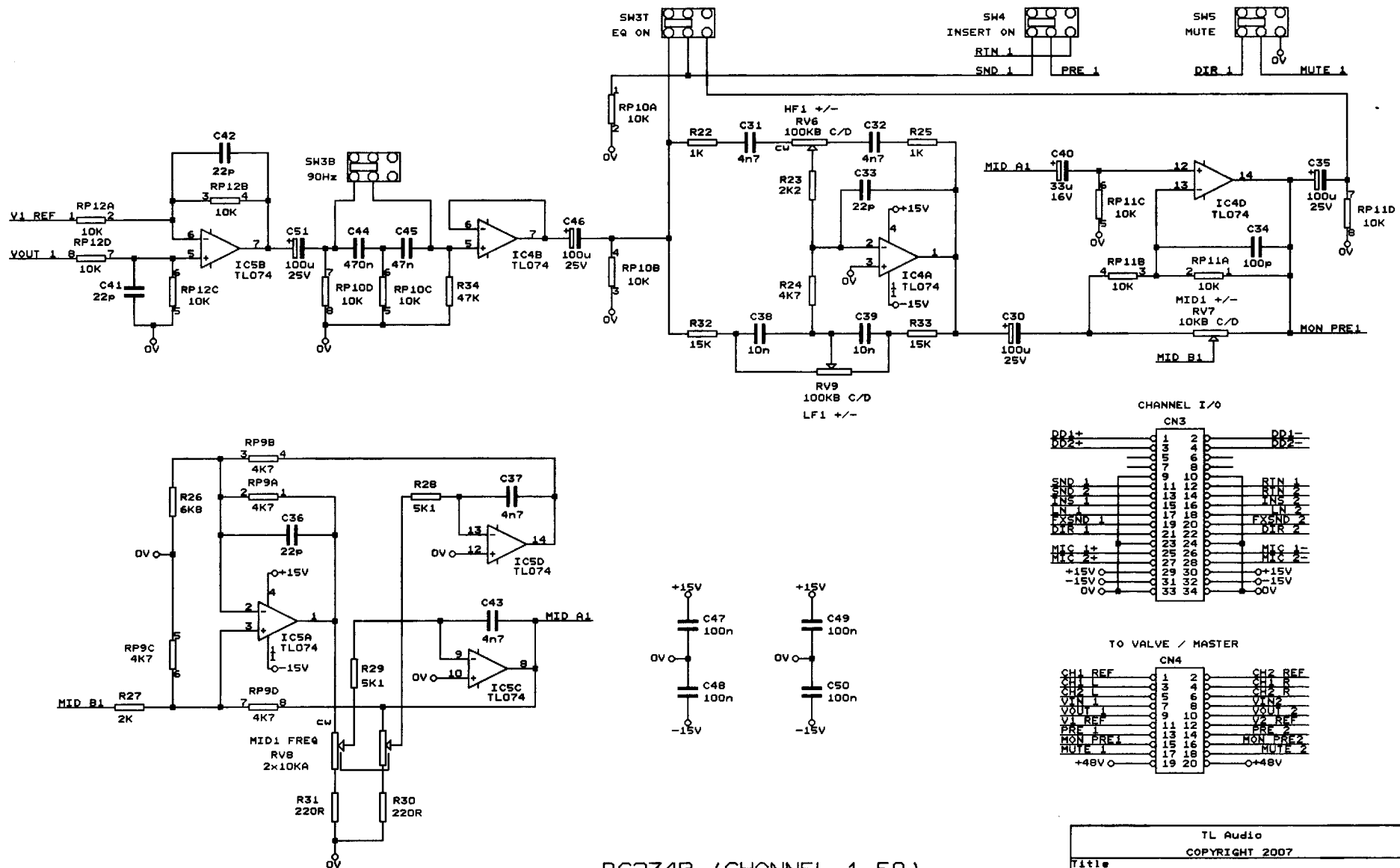
PART PC234A (CHANNEL 1)

TL Audio	
COPYRIGHT 2007	
Title	FAT TRACK CHANNEL
Size Document Number	REV
B	CD1234 1
Date:	October 5, 2007 Sheet 2 of 7



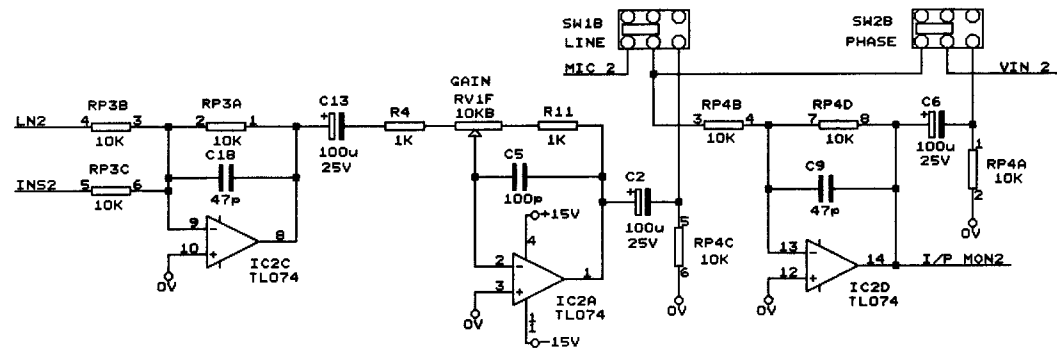
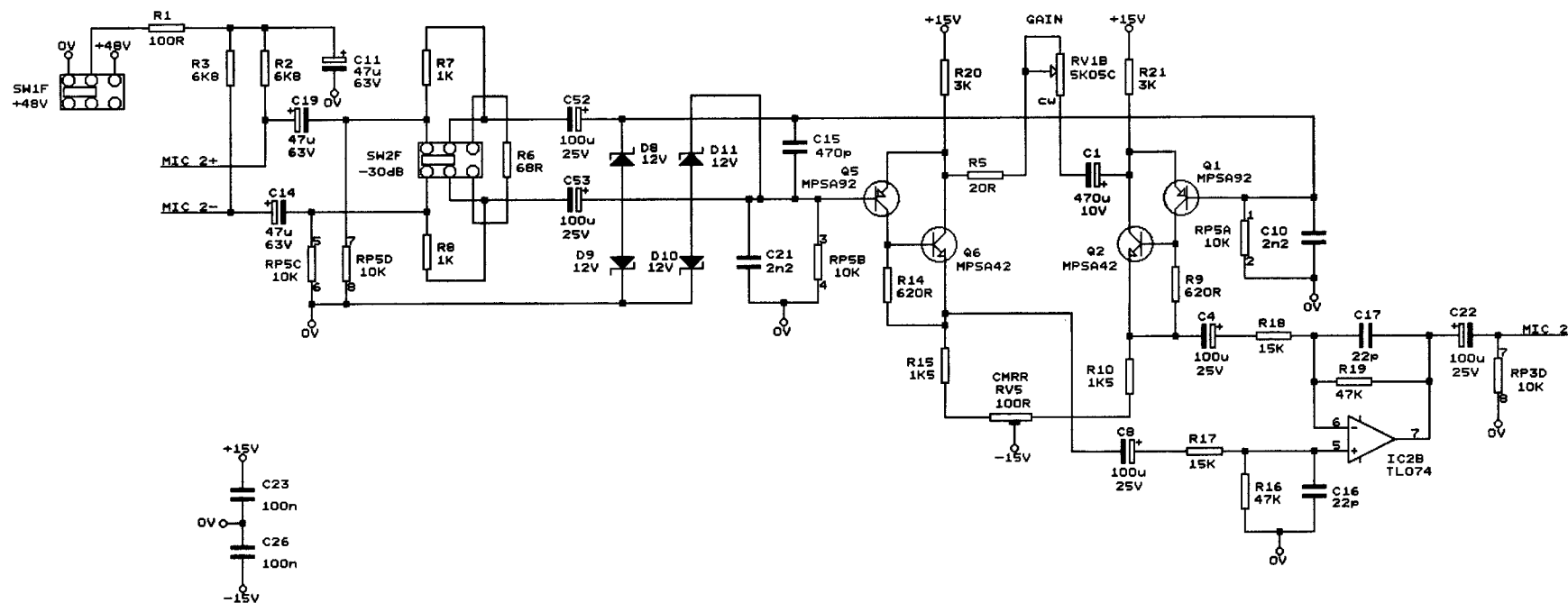
PART PC234A (CHANNEL 1)

TL Audio		
COPYRIGHT 2007		
Title		
FAT TRACK CHANNEL		
Size	Document Number	REV
B	CD1234	1
Date: October 5, 2007 Sheet 3 of 7		



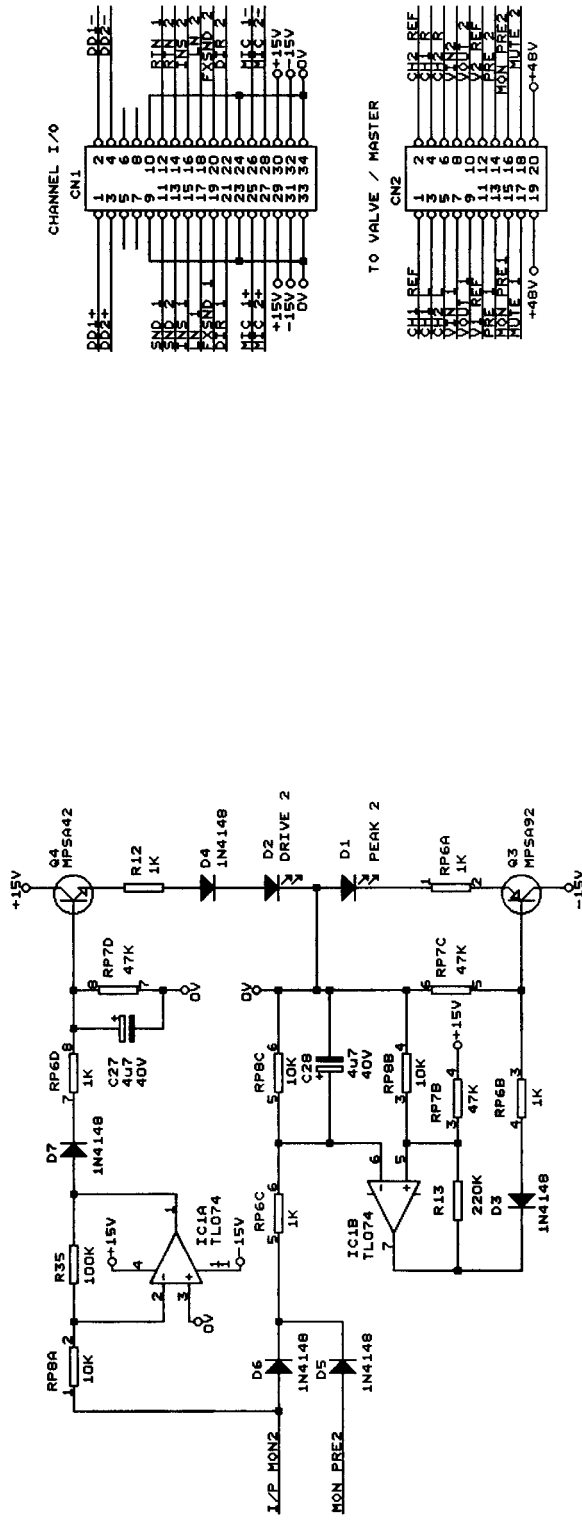
PC234B (CHANNEL 1 EQ)

TL Audio	
COPYRIGHT 2007	
Title	
FAT TRACK EQ	
Size	Document Number
B	CD1234
Date:	October 5, 2007
Sheet	4 of 7
REV	1

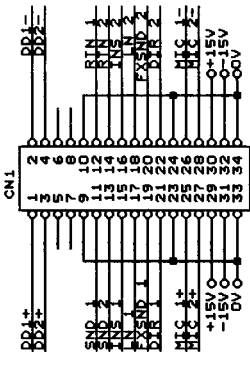


PART PC234C (CHANNEL 2)

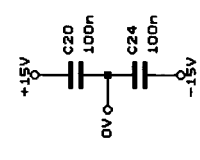
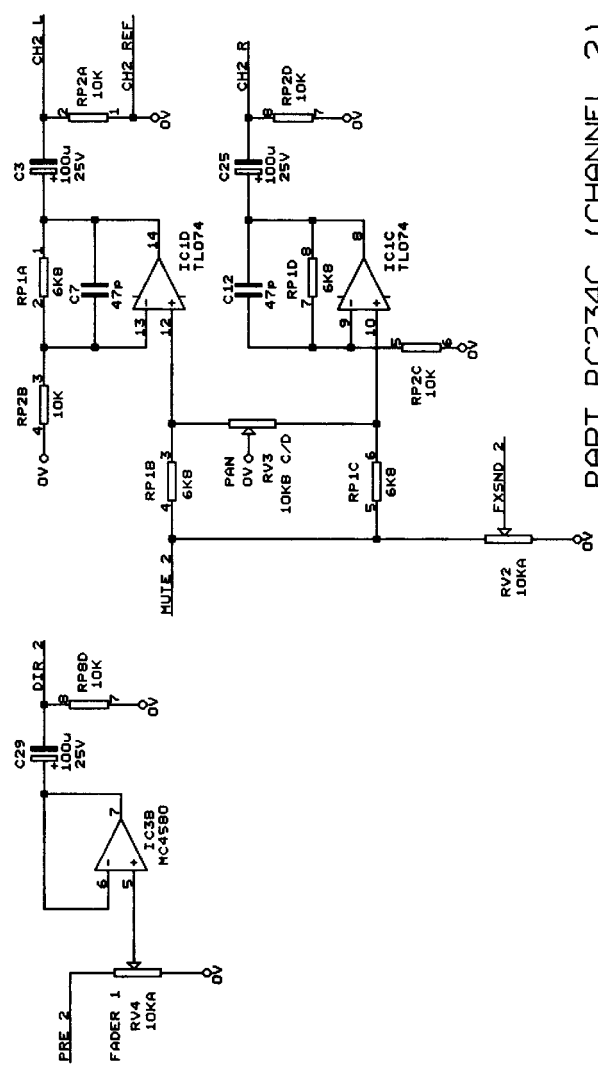
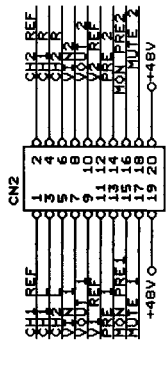
TL Audio	
COPYRIGHT 2007	
Title	
FAT TRACK CHANNEL	
Size Document Number	REV
B	1
Date: October 5, 2007 Sheet 5 of 7	



CHANNEL I/O

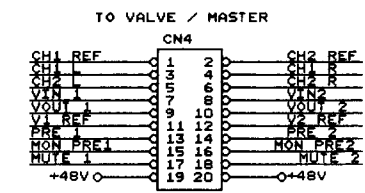
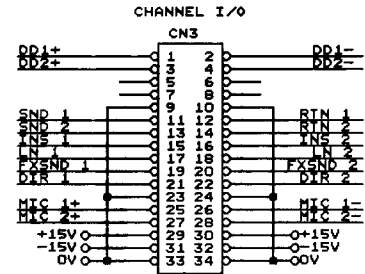
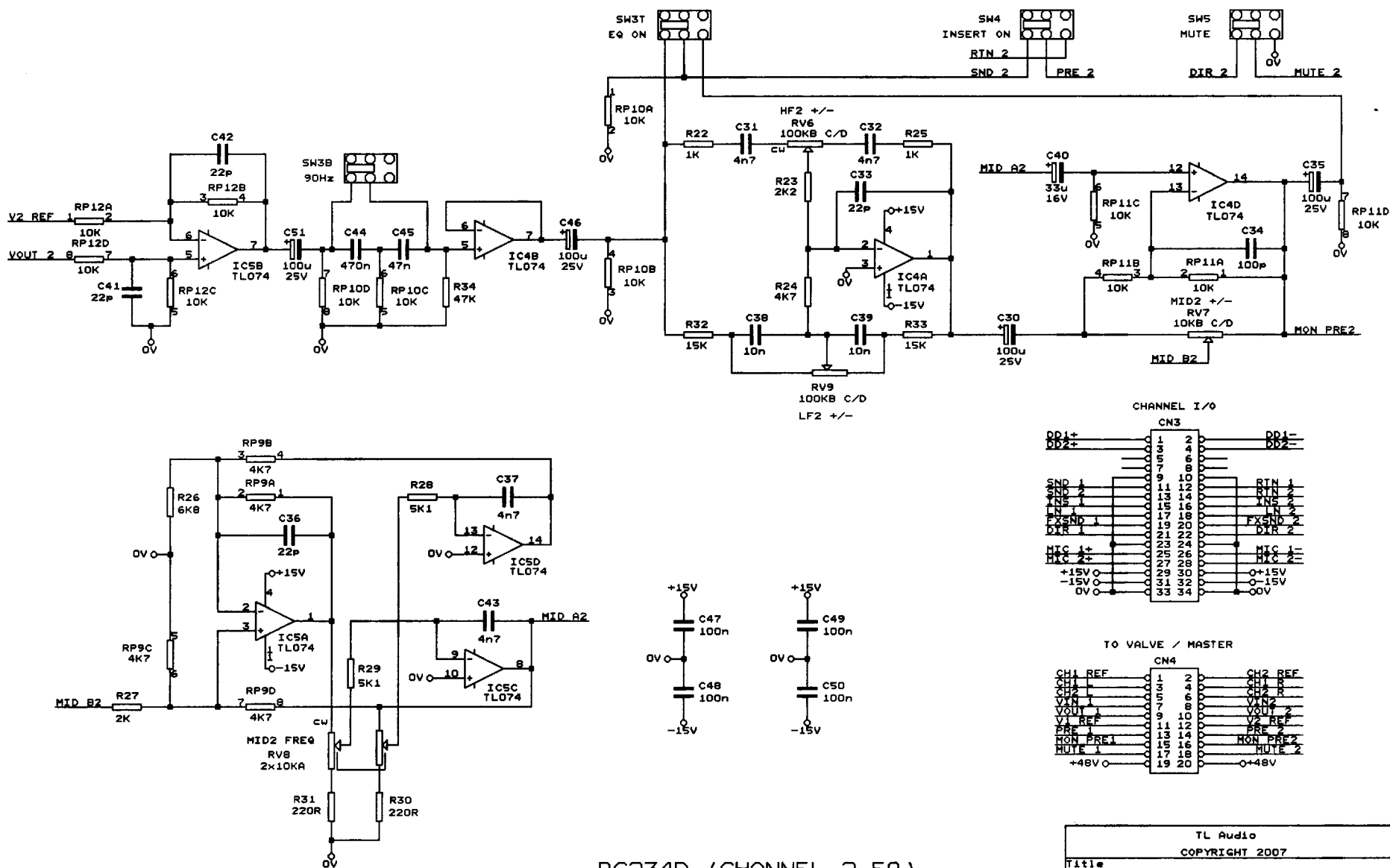


TO VALVE / MASTER



PART PC234C (CHANNEL 2)

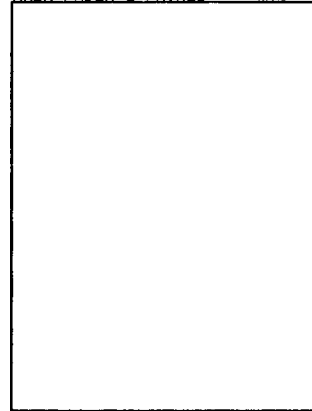
TL Audio	
COPYRIGHT 2007	
FAT TRACK CHANNEL	
Title#	
Size Document Number	GD1234
REV	1
Date:	October 5, 2007 Sheet 6 of 7



PC234D (CHANNEL 2 EQ)

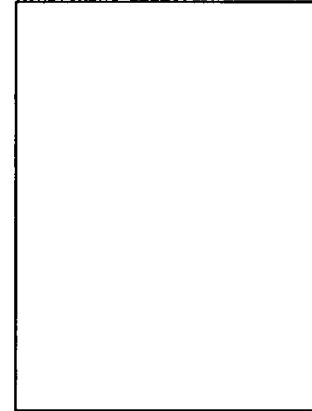
TL Audio	
COPYRIGHT 2007	
Title	
FAT TRACK EQ	
Size	Document Number
8	CD1234
Date:	October 5, 2007
Sheet	7 of 7
REV	1

MAIN FADER & PHONES



PC235A

MONITORING SELECT



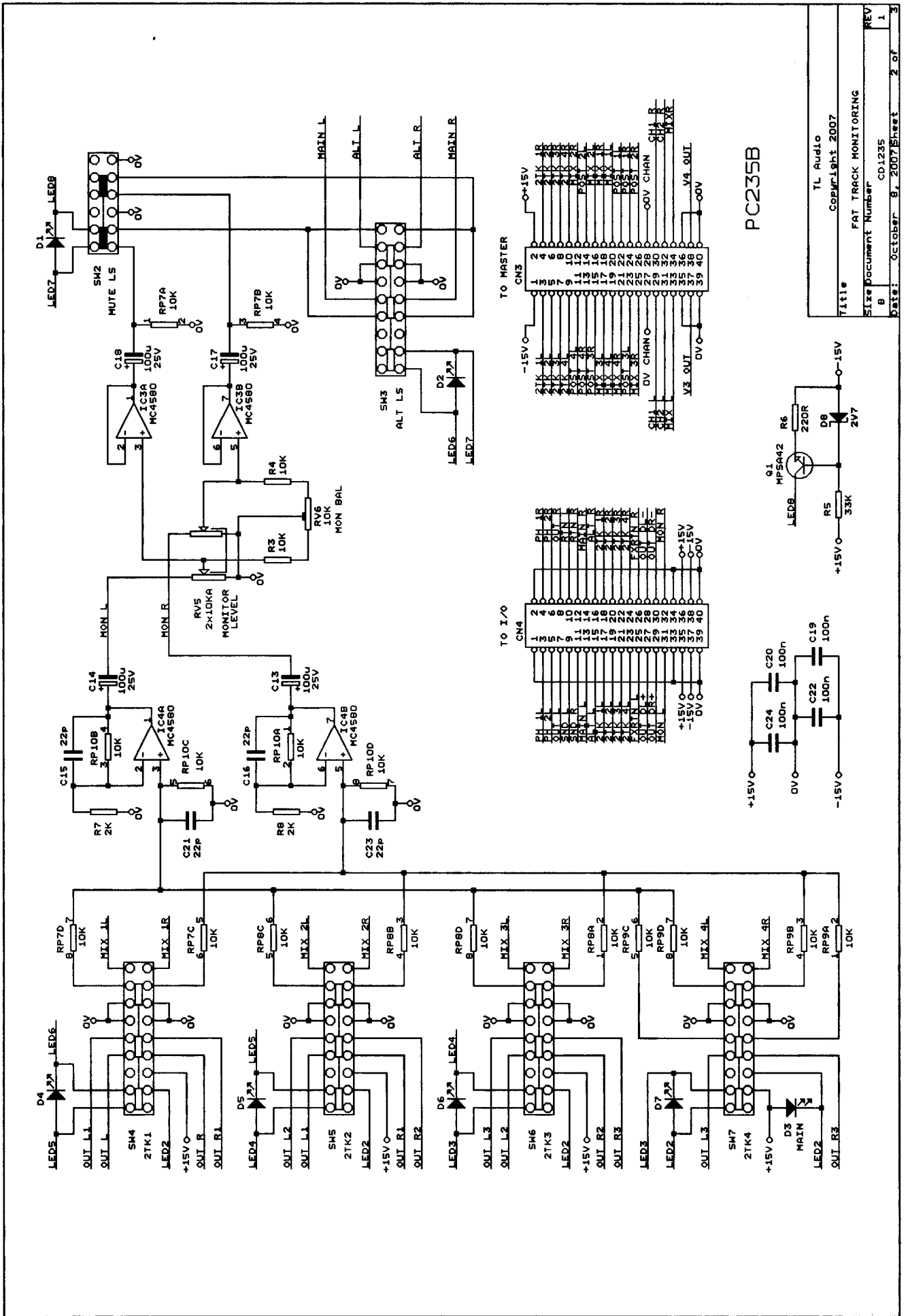
PC235B

ISSUE	FROM S/N	TO S/N
1	850001	

ISSUE	FROM S/N	TO S/N

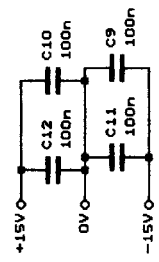
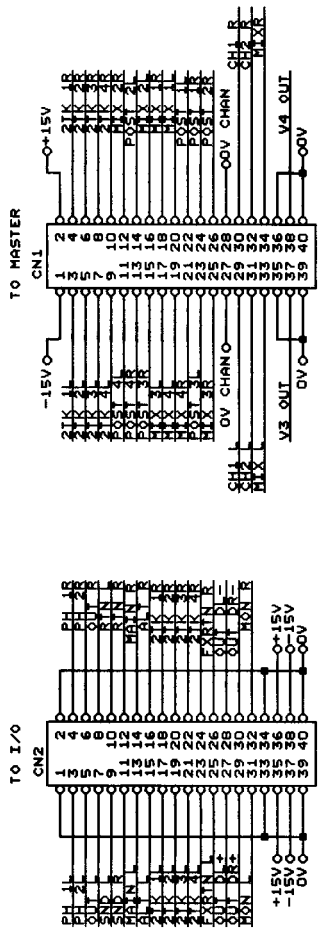
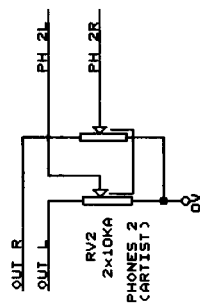
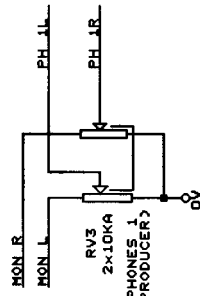
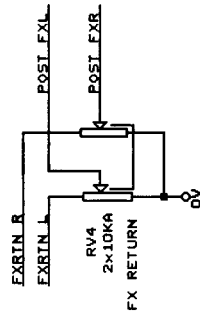
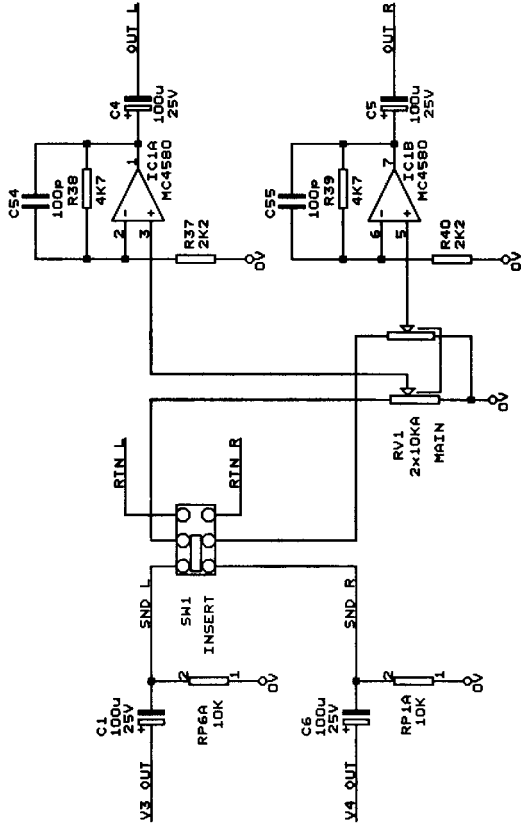
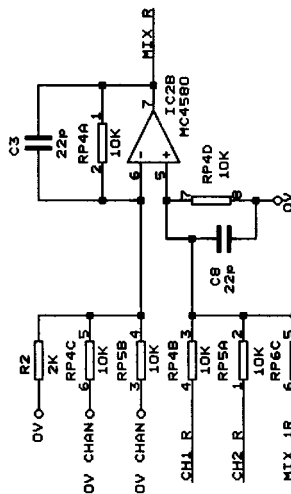
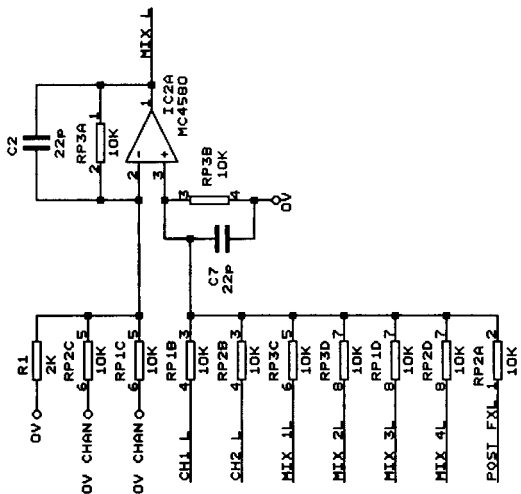
CAUTION! HIGH VOLTAGE. REFER SERVICE TO QUALIFIED PERSONNEL ONLY.

TL Audio		
Copyright 2007		
Title		
FAT TRACK MONITORING		
Size	Document Number	REV
B	CD1235	1
Date:	February 19, 2008	Sheet 1 of 3



PC235B

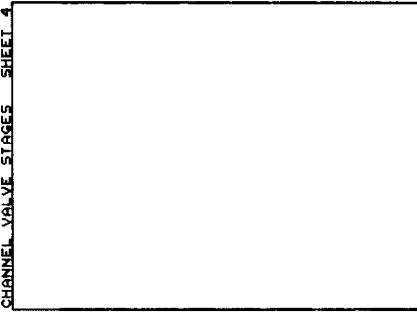
Title		TL Audio
Copyright		Copyright 2007
Size		FAT TRACK MONITORING
B		CD1235
Date:		October 9, 2007
REV	1	2 of 3



TL Audio
Copyright 2007
Title: FAT TRACK MONITORING
Size Document Number: CD1235
REV: 1
Date: October 8, 2007 Sheet 3 of 3

PC235A

CHANNEL VALVE STAGES SHEET 4

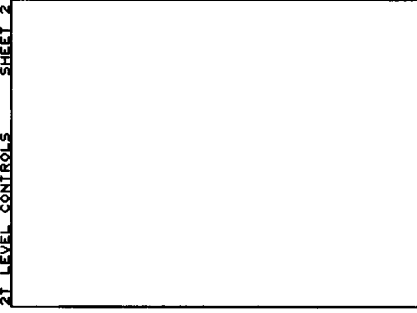


L+R VALVE STAGES SHEET 3



PC236A

2T LEVEL CONTROLS SHEET 2



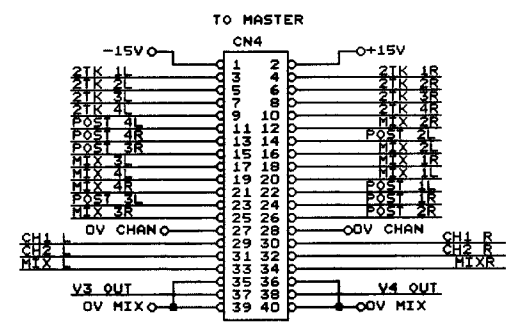
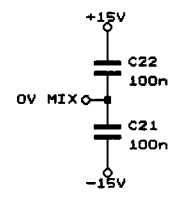
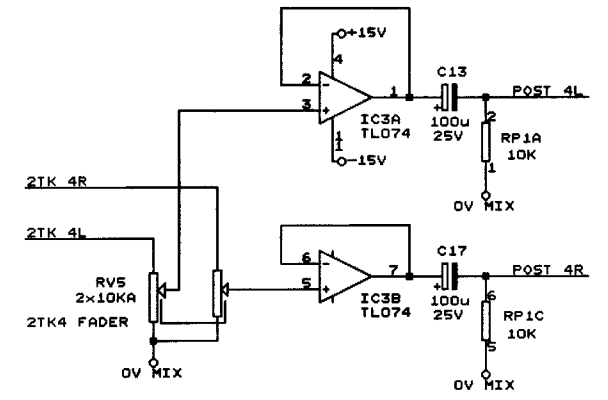
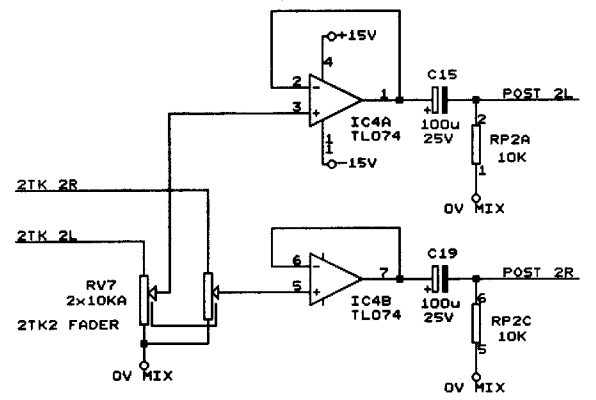
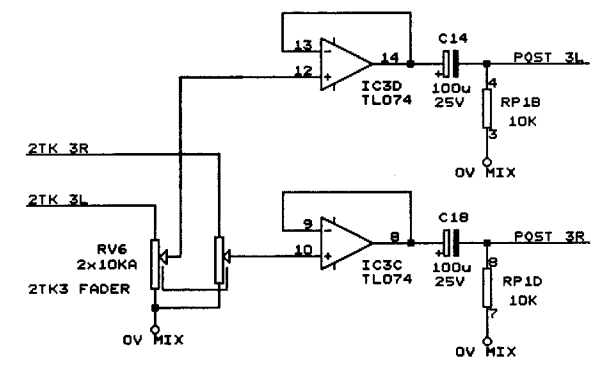
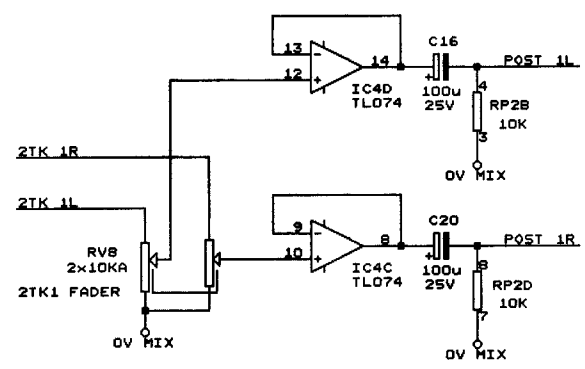
PC236B

ISSUE	FROM SZN	TO SZN
1	850001	

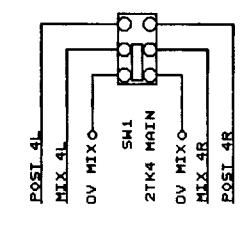
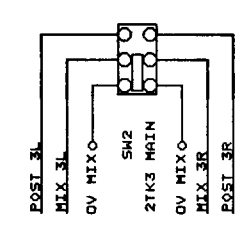
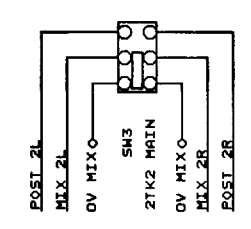
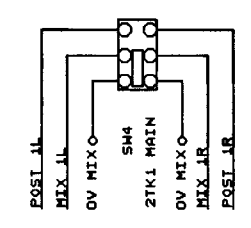
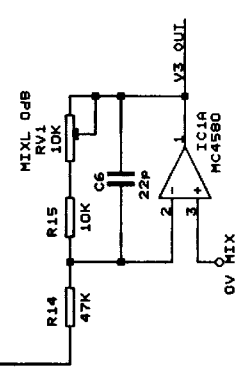
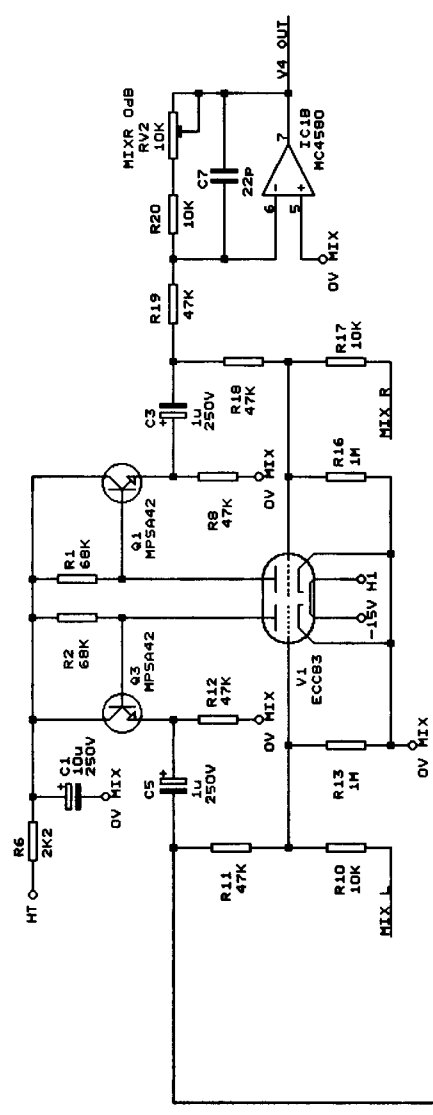
ISSUE	FROM SZN	TO SZN

CAUTION! HIGH VOLTAGE. REFER SERVICE TO QUALIFIED PERSONNEL ONLY.

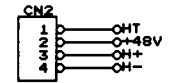
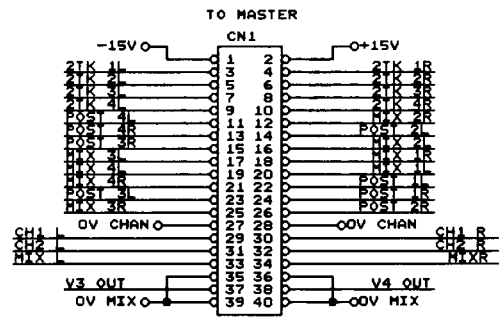
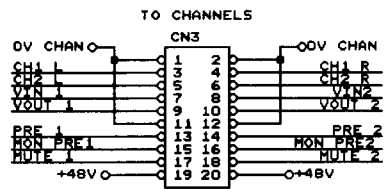
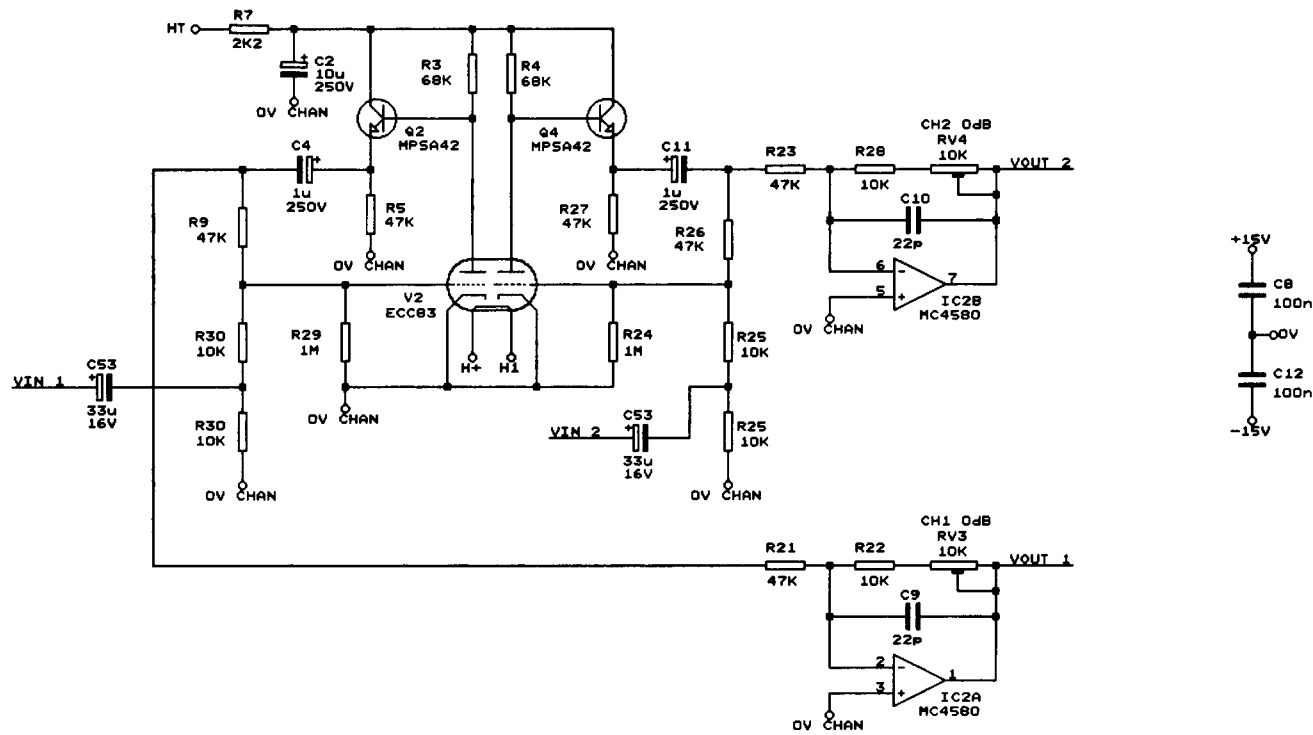
TL Audio
Copyright 2007
Title FAT TRACK MASTER
Size B
Document Number CD1236
REV 1
Date: February 19, 2008
Sheet 1 of 4



TL Audio Copyright 2007	
Title FAT TRACK VALVE STAGES	
Size Document Number B	REV 1
Date: March 27, 2007 Sheet 2 of 4	



TL Audio	
Copyright 2007	
Title FAT TRACK VALVE STAGES	
Size	Document Number
B	CD1236
Date:	October 8, 2007
Sheet	3 of 4
REV	1



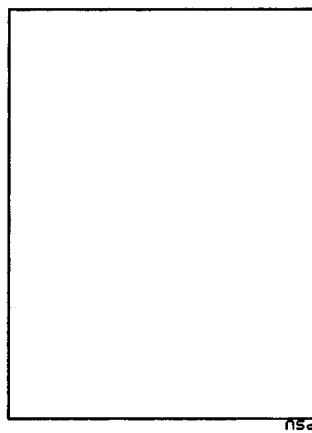
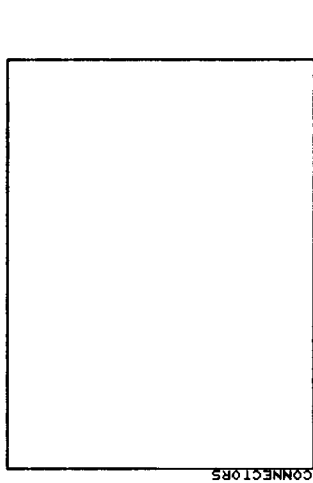
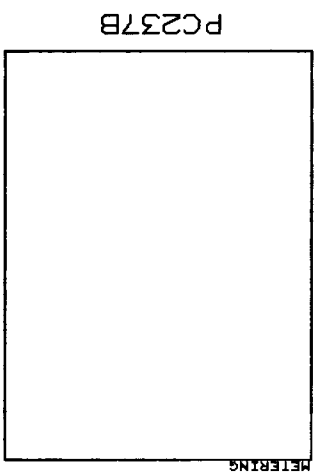
TL Audio			
Copyright 2007			
Title			
FAT TRACK VALVE STAGES			
Size Document Number			REV
B	CD1236		1
Date: October 8, 2007 Sheet 4 of 4			

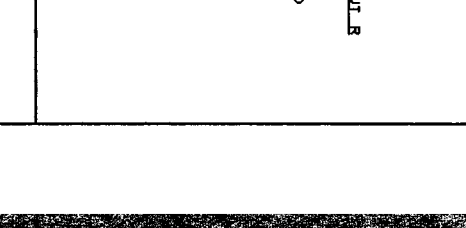
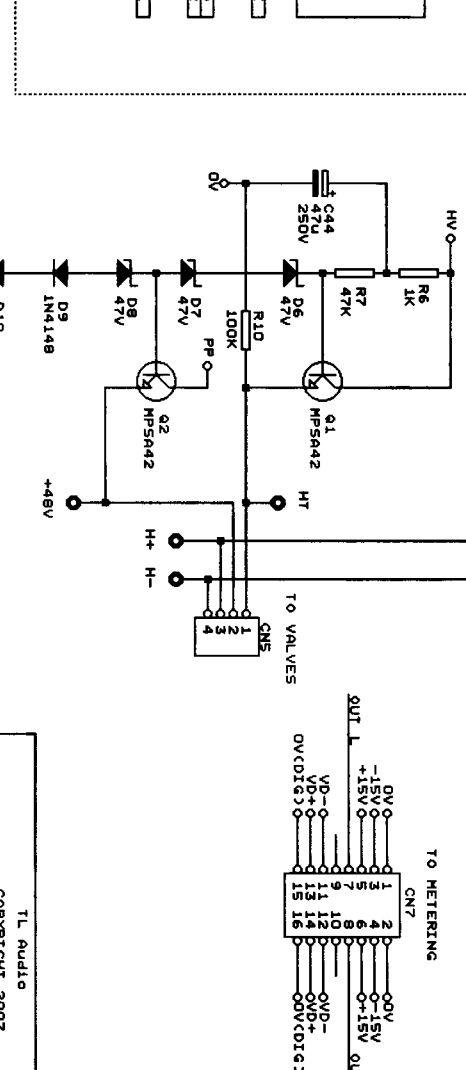
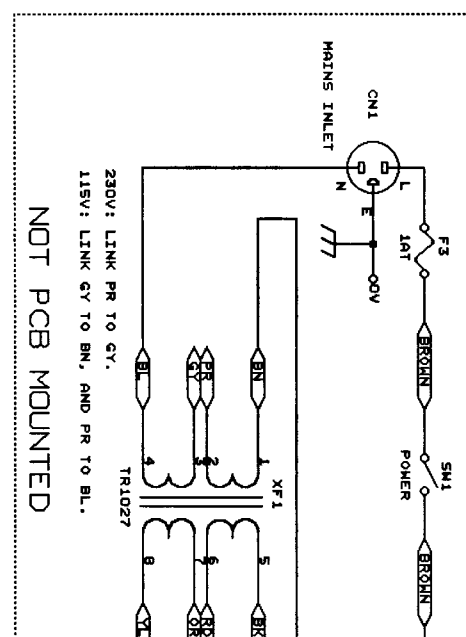
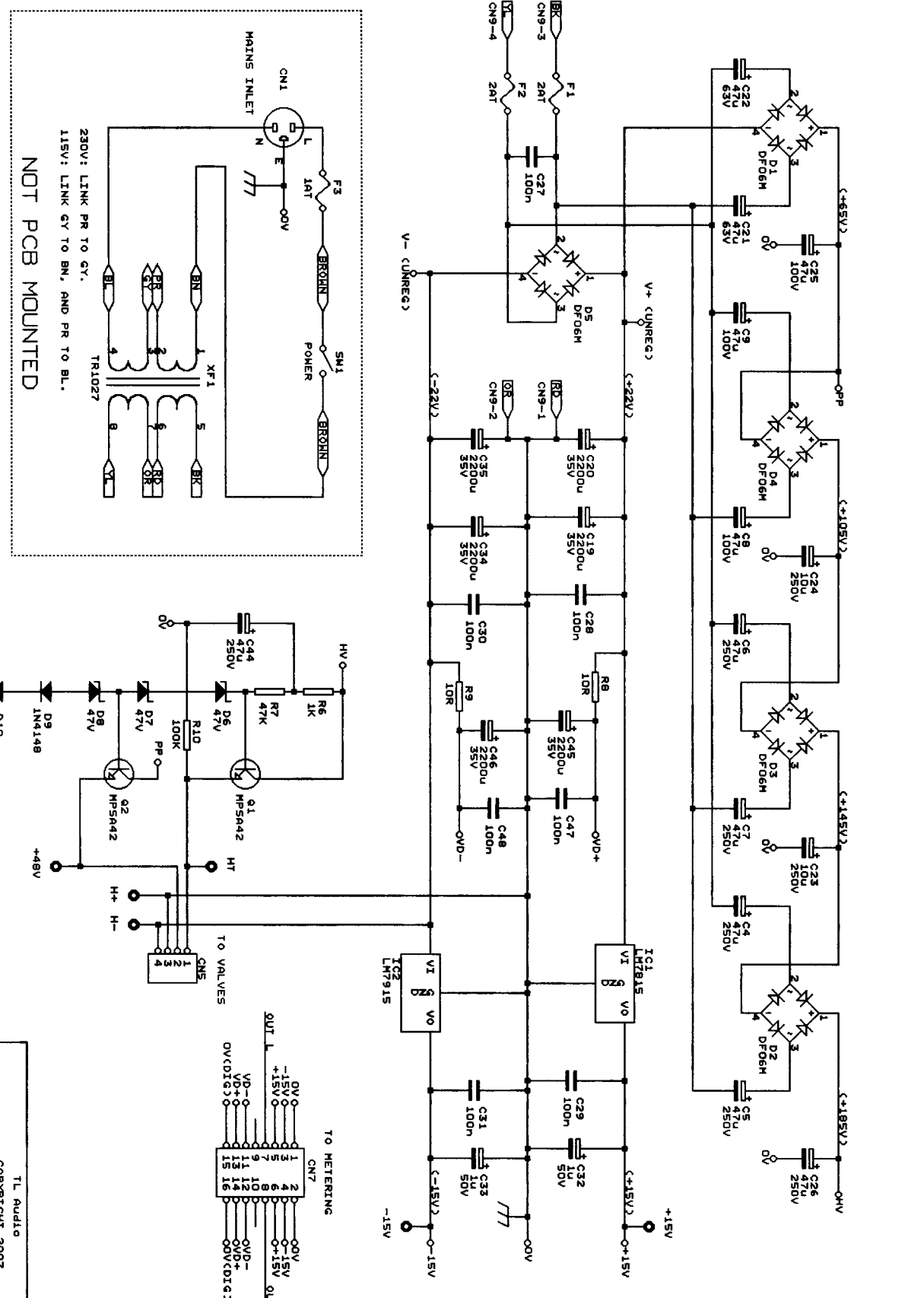
TL Audio
 Copyright 2007
 Title
 FAT TRACK PSU/METERING
 Size Document Number
 CD1237
 REV
 B
 1
 Date: February 19, 2008 Sheet 1 of 4

CAUTION! HIGH VOLTAGE. REFER SERVICE TO QUALIFIED PERSONNEL ONLY.

ISSUE FROM S/N TO S/N		

ISSUE FROM S/N TO S/N	1	850001

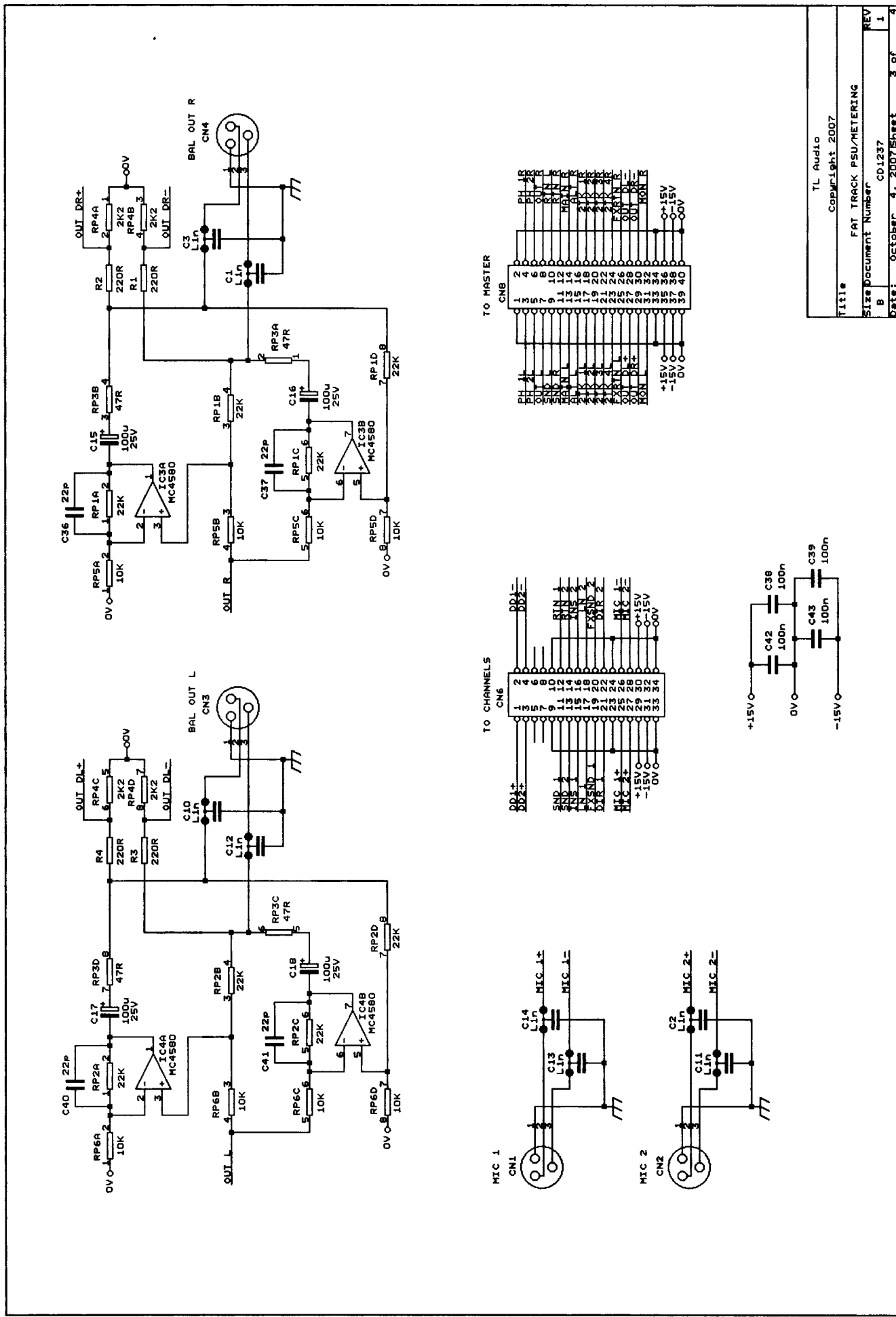




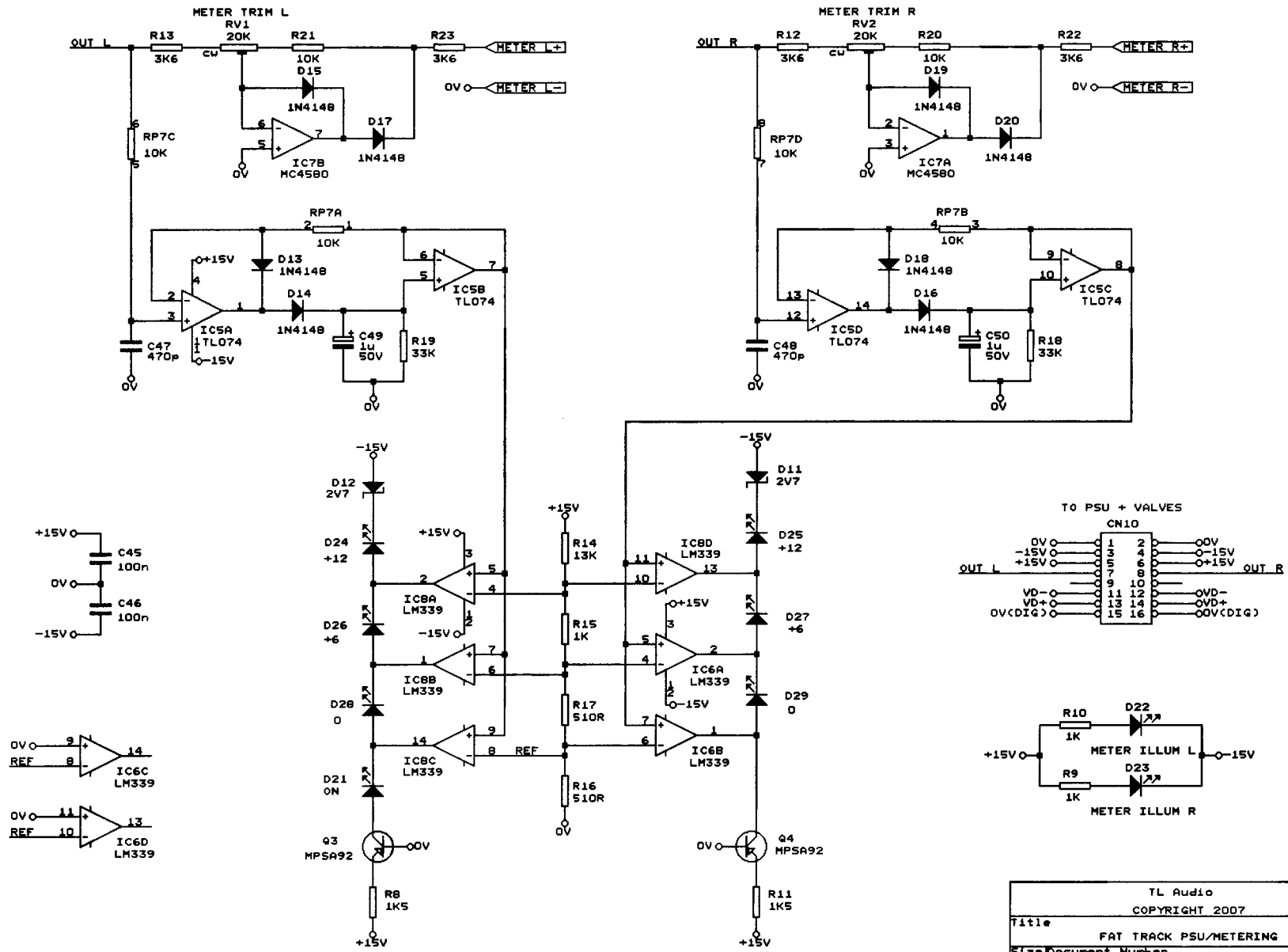
NOT PCB MOUNTED

230V: LINK PR TO GY.
115V: LINK GY TO BN, AND PR TO BL.

TL Audio
COPYRIGHT 2007
Title: F1 TRACK PSU/METERING
Size: Document Number: C01237
Date: October 4, 2007 Sheet: 2 of 4
REV: 1



Title TL Audio
 Copyright 2007
 FAT TRACK PSU/METERING
 Size Document Number CD1237
 REV 1
 Date: October 3, 2007 Sheet 3 of 3



TL Audio		
COPYRIGHT 2007		
Title		
FAT TRACK PSU/METERING		
Size	Document Number	REV
B	CD1237	1
Date: October 4, 2007 Sheet 4 of 4		