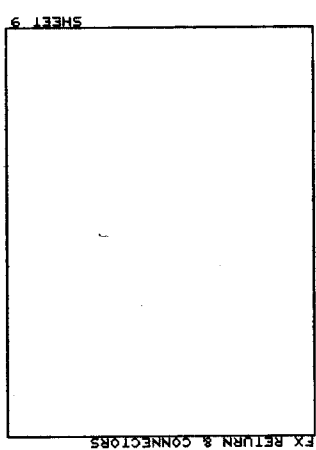
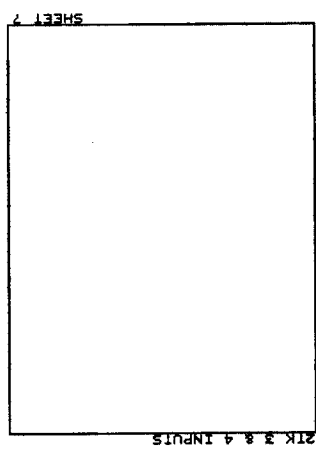
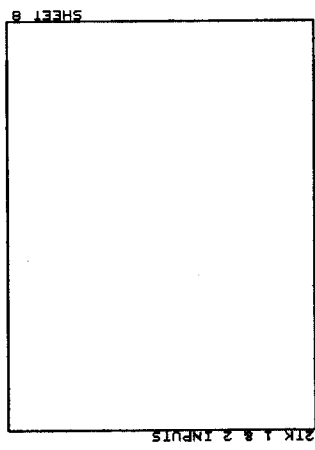
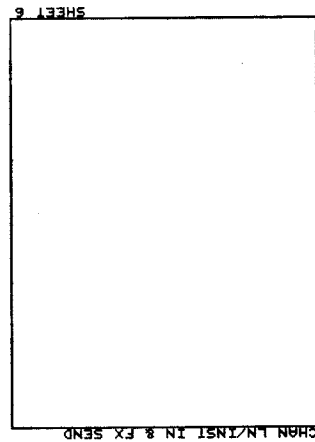


ISSUE FROM S/N TO S/N	1	850001
-----------------------	---	--------

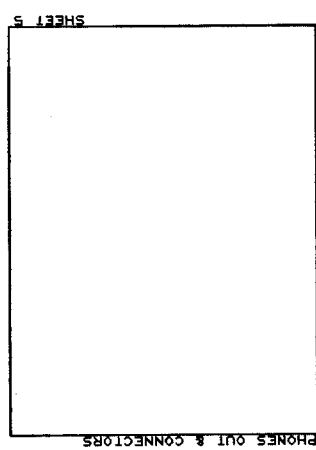
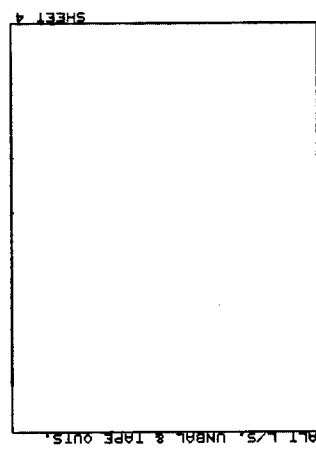
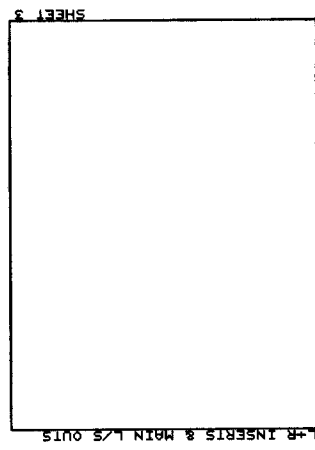
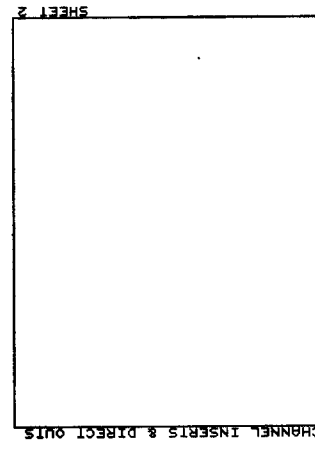
ISSUE FROM S/N TO S/N		
-----------------------	--	--

CAUTION! HIGH VOLTAGE. REFER SERVICE TO QUALIFIED PERSONNEL ONLY.

PC233B

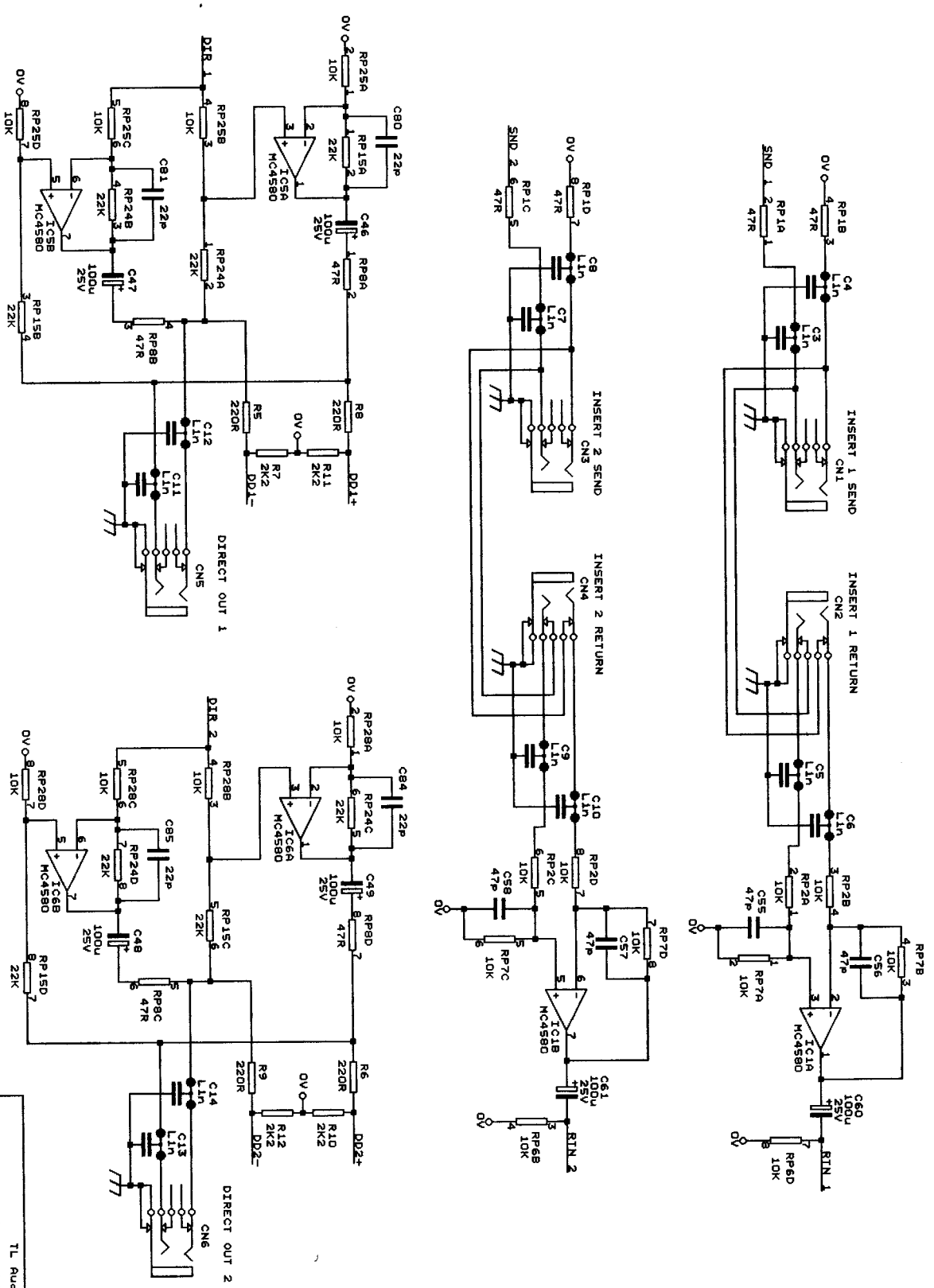


PC233A

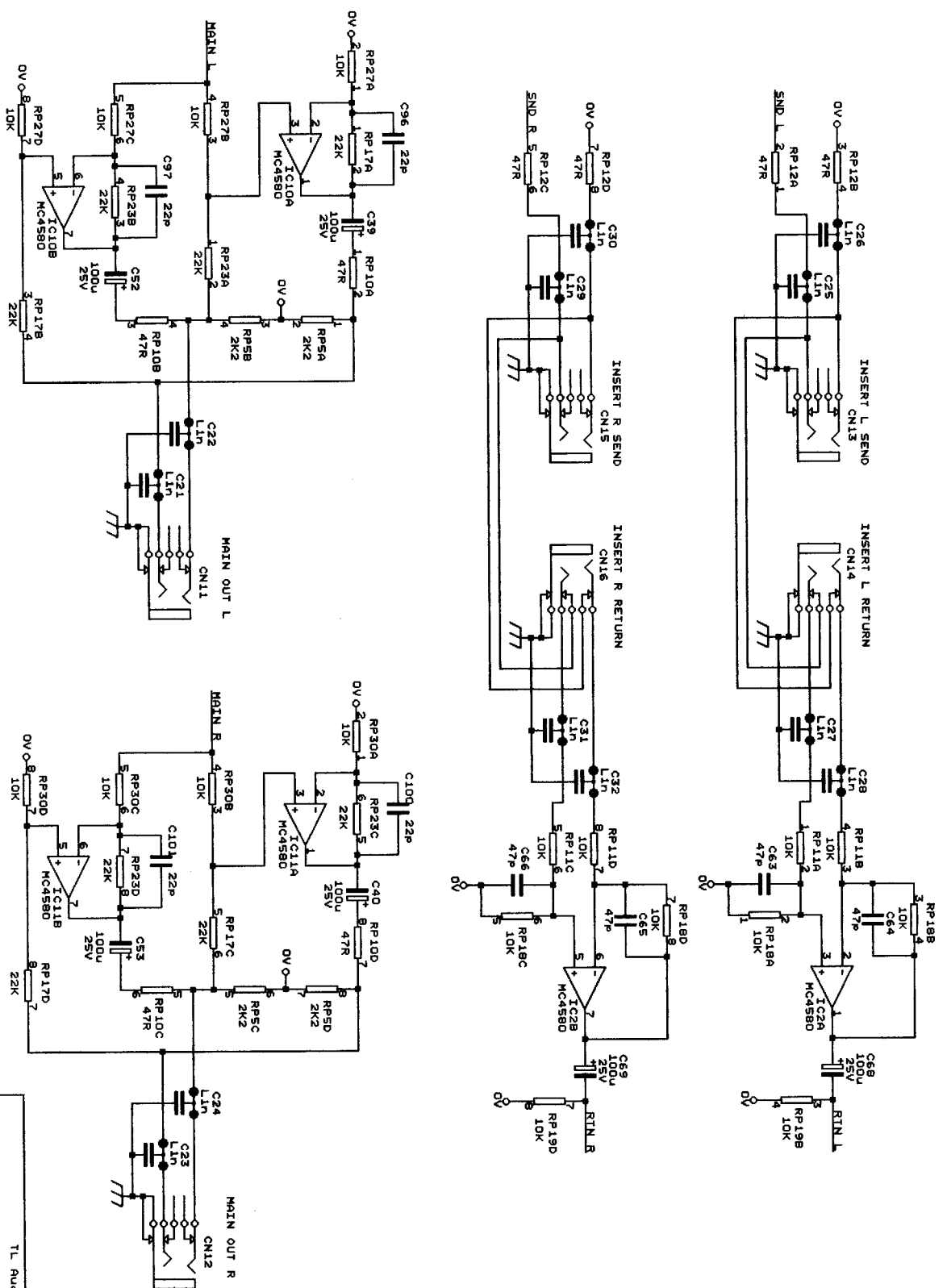


TL Audio	Copyright 2007
Title	FAT TRACK I/O
State Document Number	REV
8	CD1233
1	

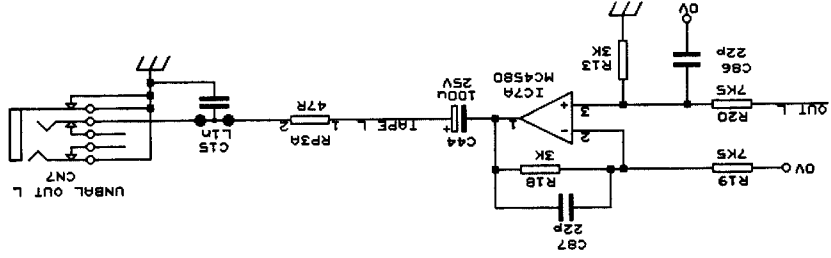
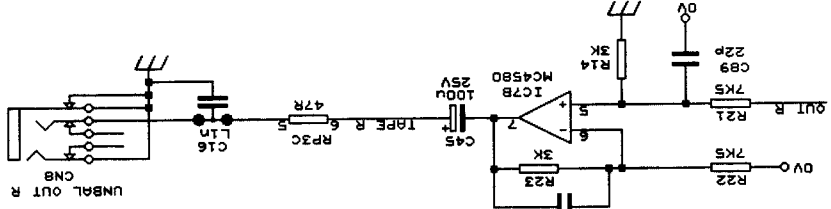
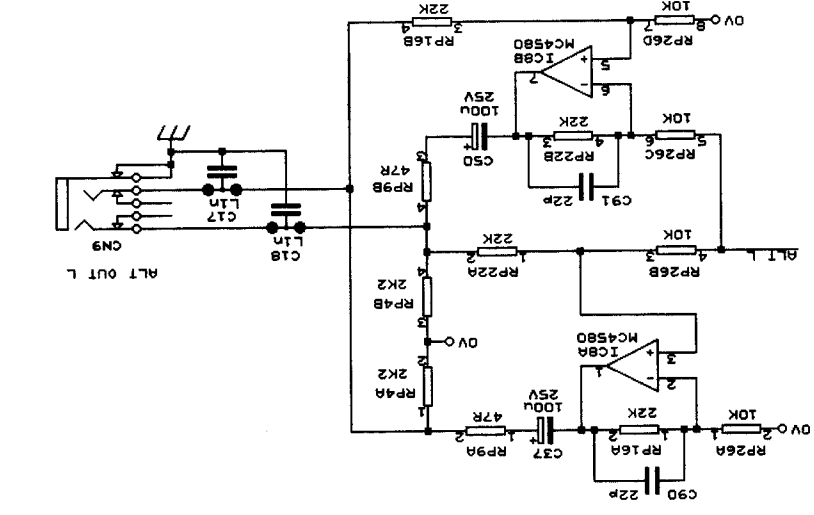
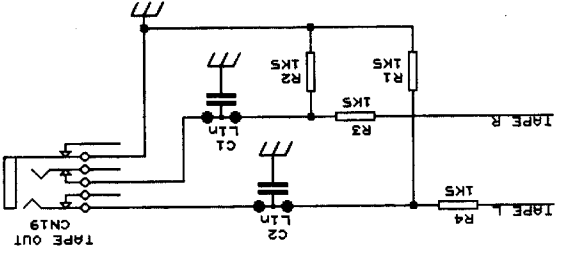
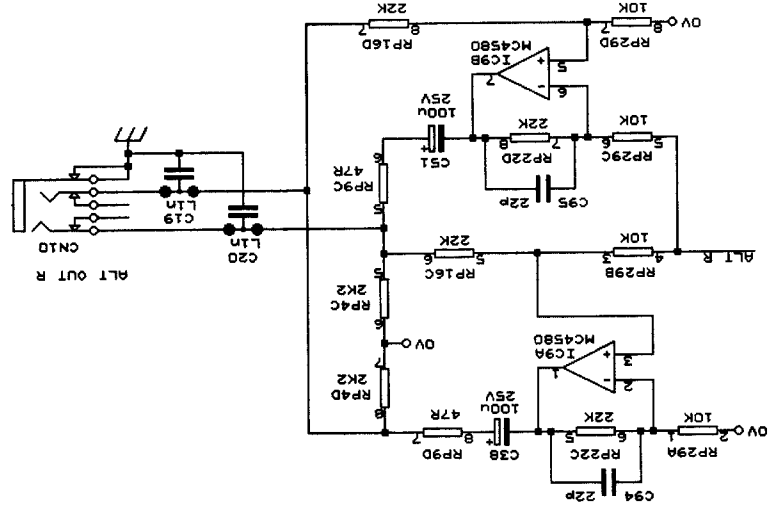
Date: February 19, 2008 Sheet 1 of 9

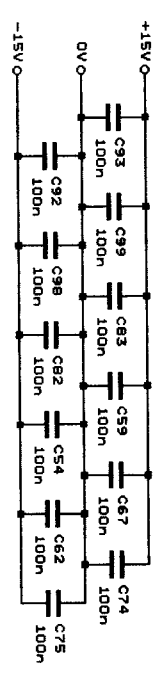
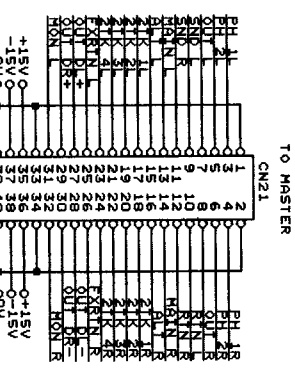
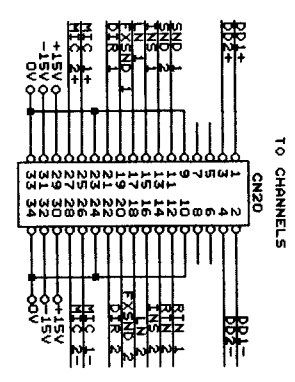
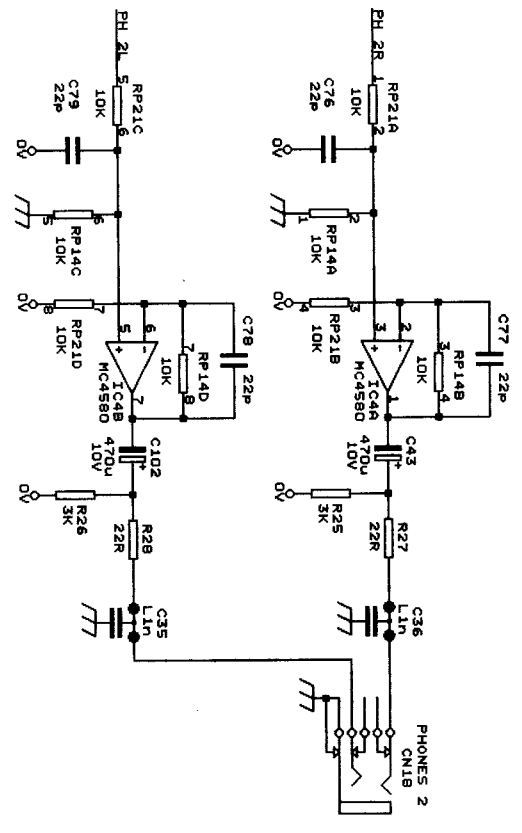
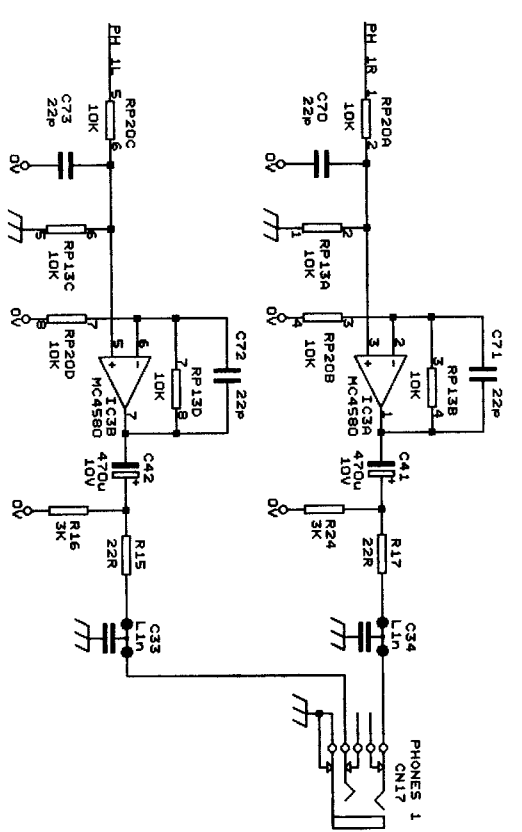


TL Rudio
Copyright 2007
Title
FAT TRACK I/O
Size Document Number
CO1233
REV
1
Date: March 19, 2007 Sheet
2 of 3

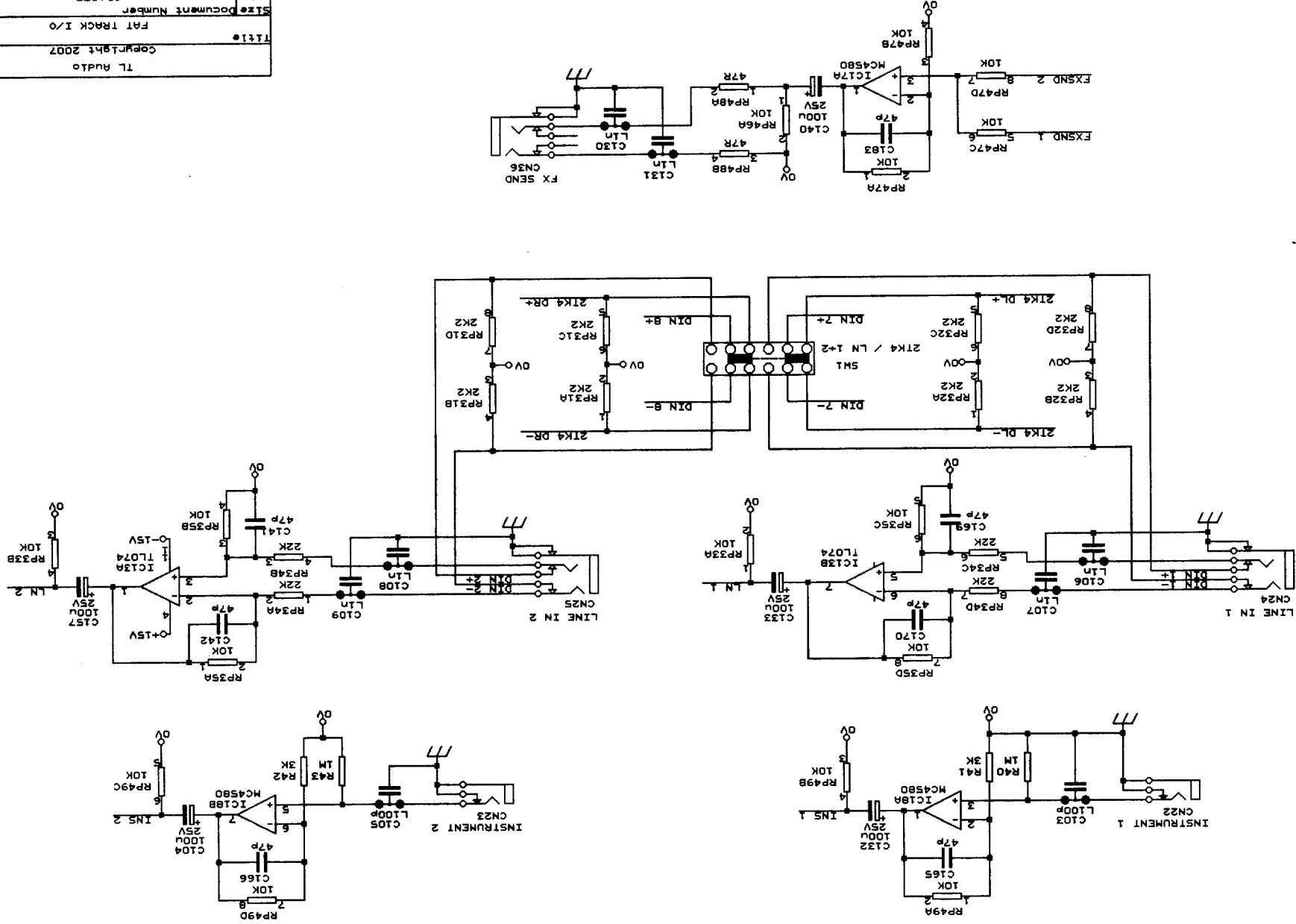


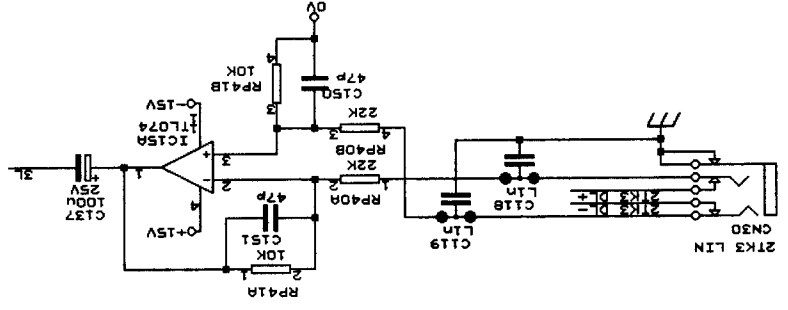
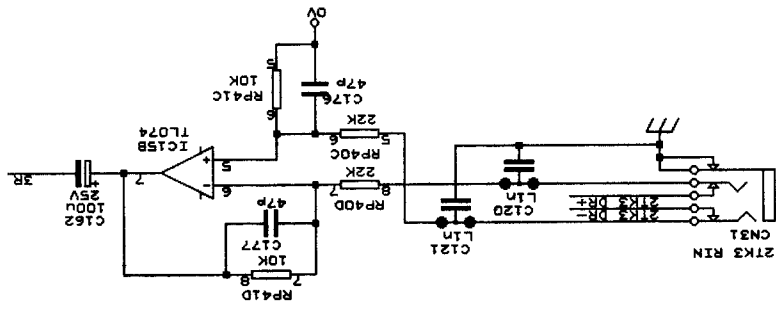
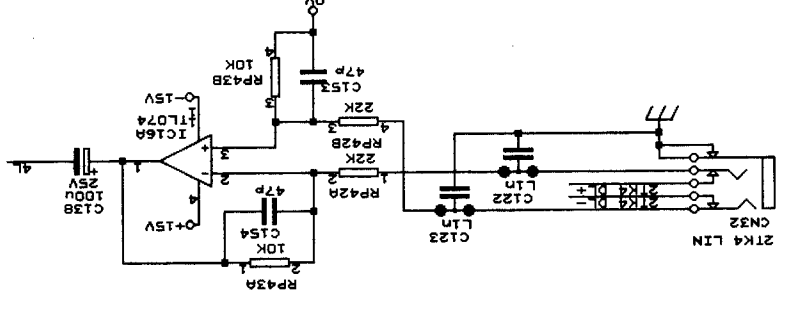
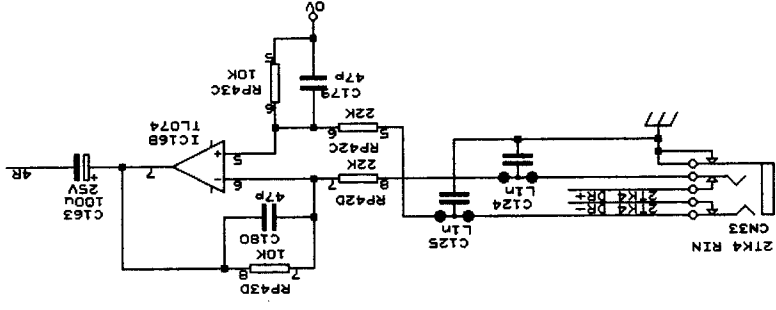
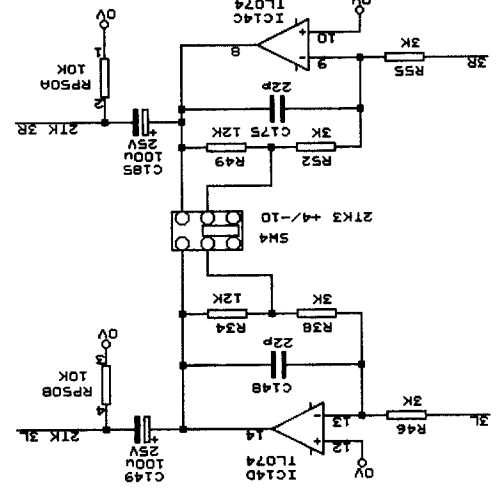
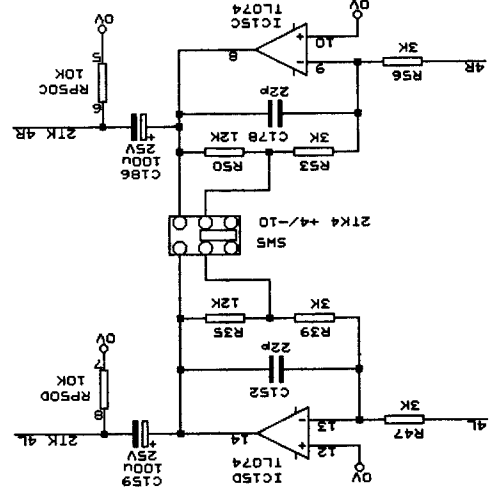
TL Audio
 Copyright 2007
 Title FAT TRACK I/O
 Size Document Number COL233
 Date March 19, 2007 Sheet 3 of 9

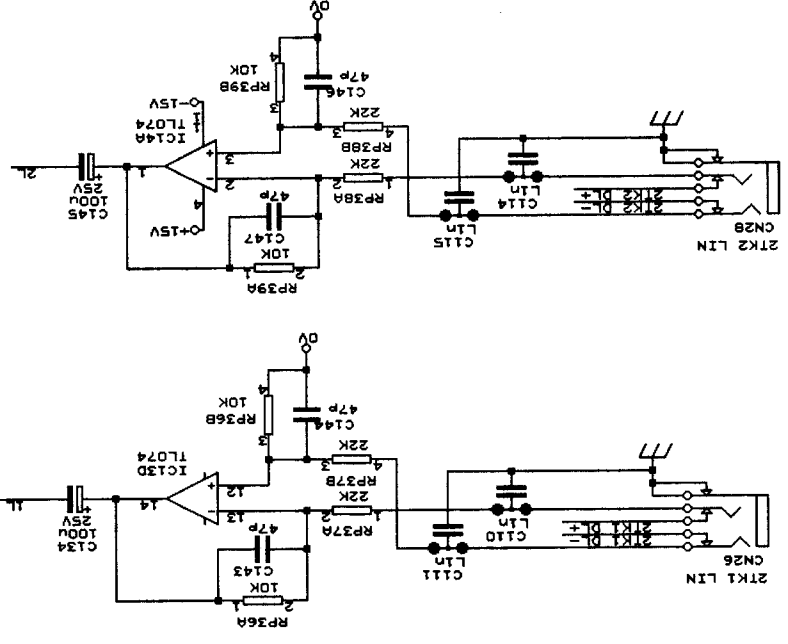
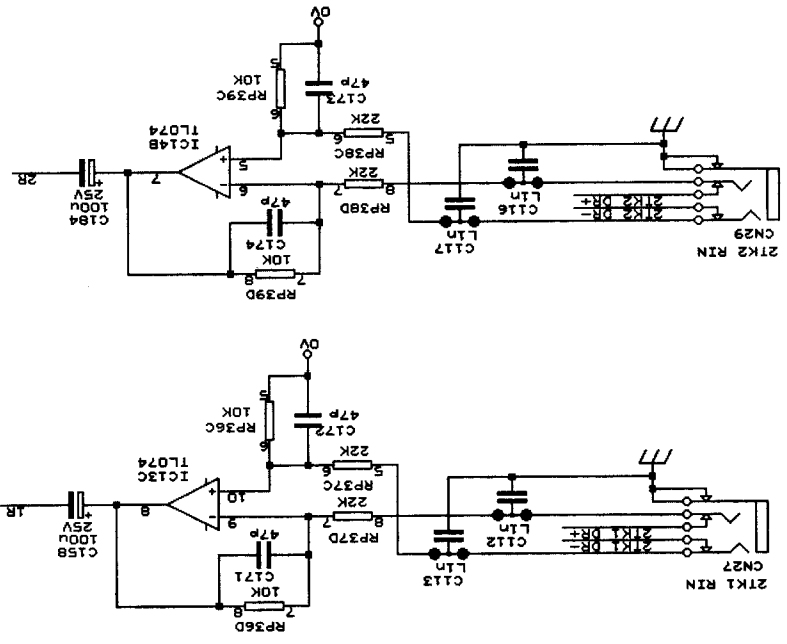
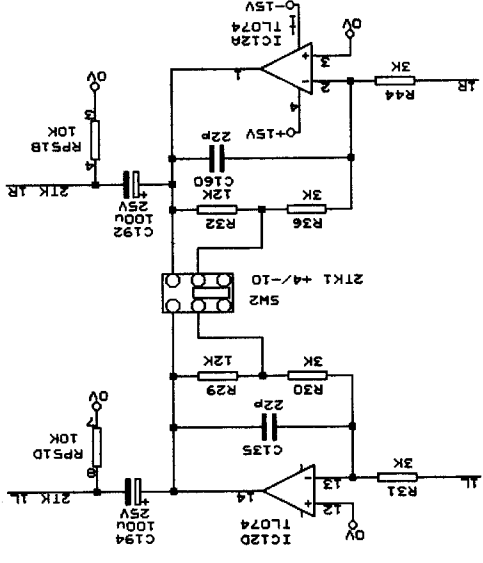
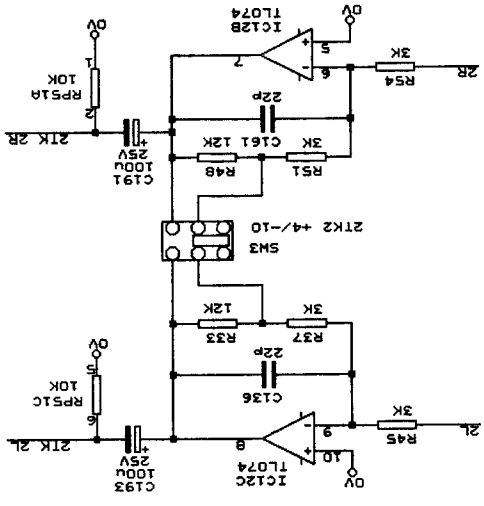


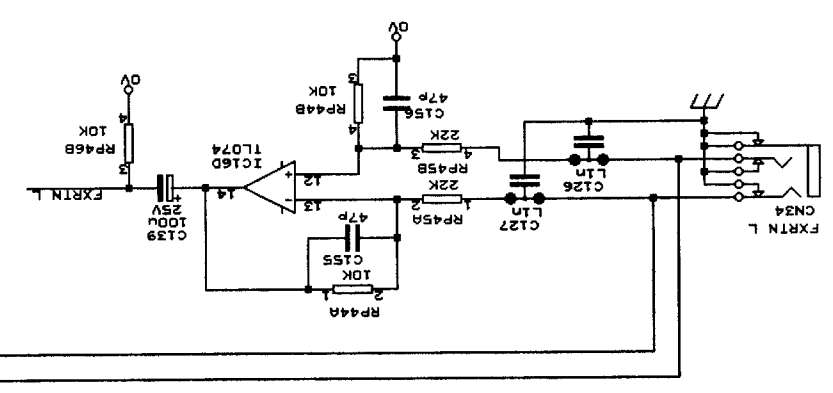
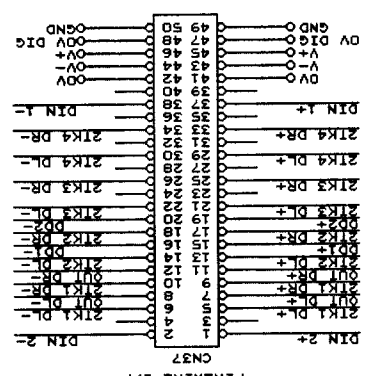
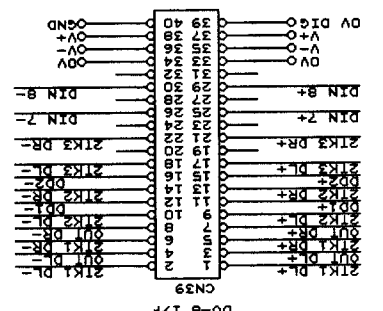
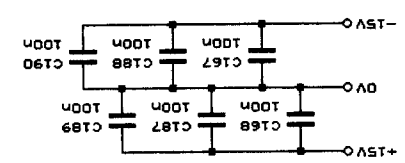
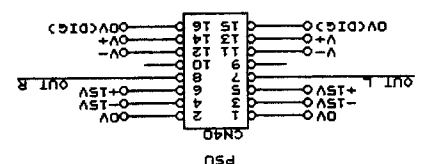
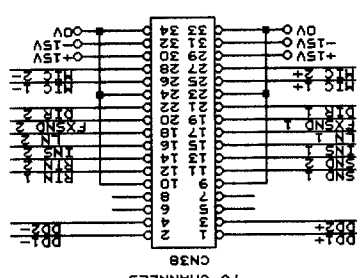
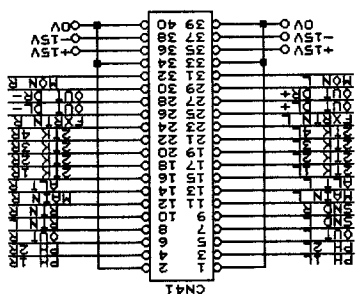


TL Audio	REV
CoPWLght 2007	1
FAT TRACK I/O	
Size Document Number	
CD1233	
Date: October 4, 2007 Sheet	5 of 9









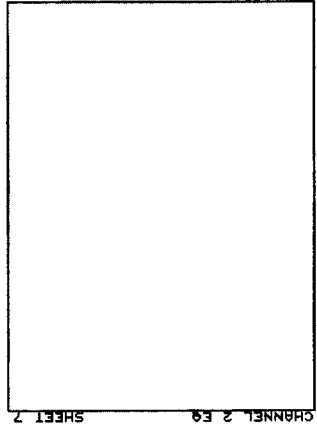
Date: February 19, 2008 Sheet 7	REV
Size Document Number	CD1234
Title	FAT TRACK CHANNEL
	Copyright 2007
	TL Audio

CAUTION! HIGH VOLTAGE. REFER SERVICE TO QUALIFIED PERSONNEL ONLY.

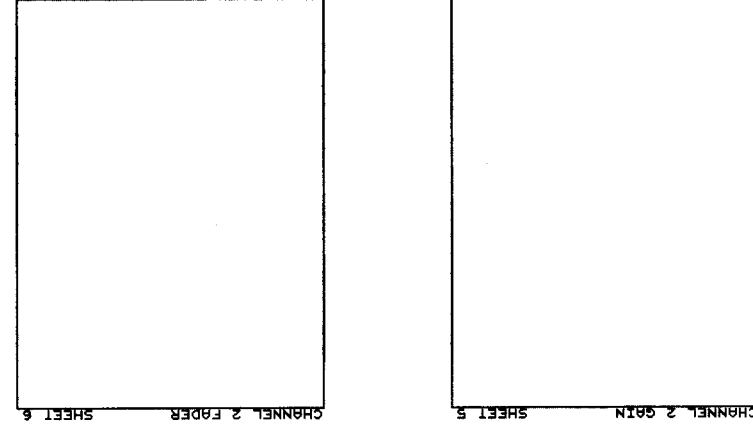
ISSUE FROM S/N TO S/N			
-----------------------	--	--	--

ISSUE FROM S/N TO S/N	1	85001
-----------------------	---	-------

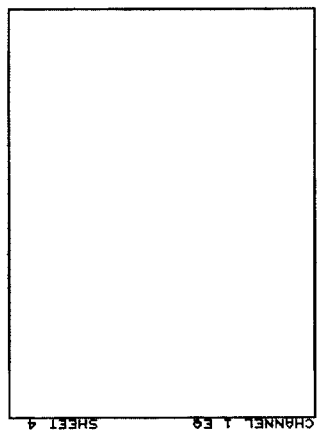
PC234D



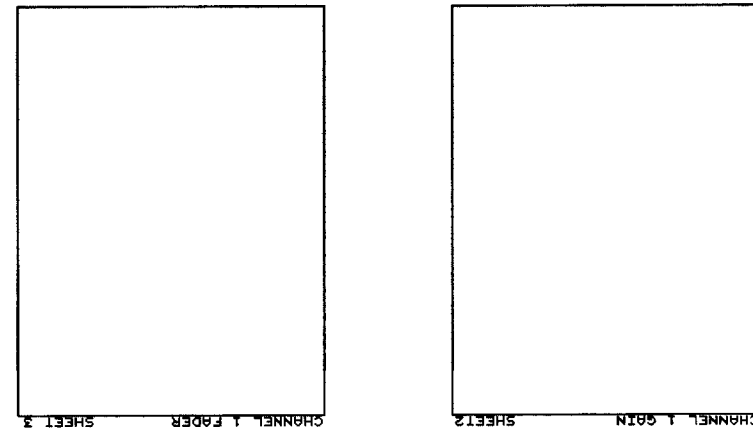
PC234C



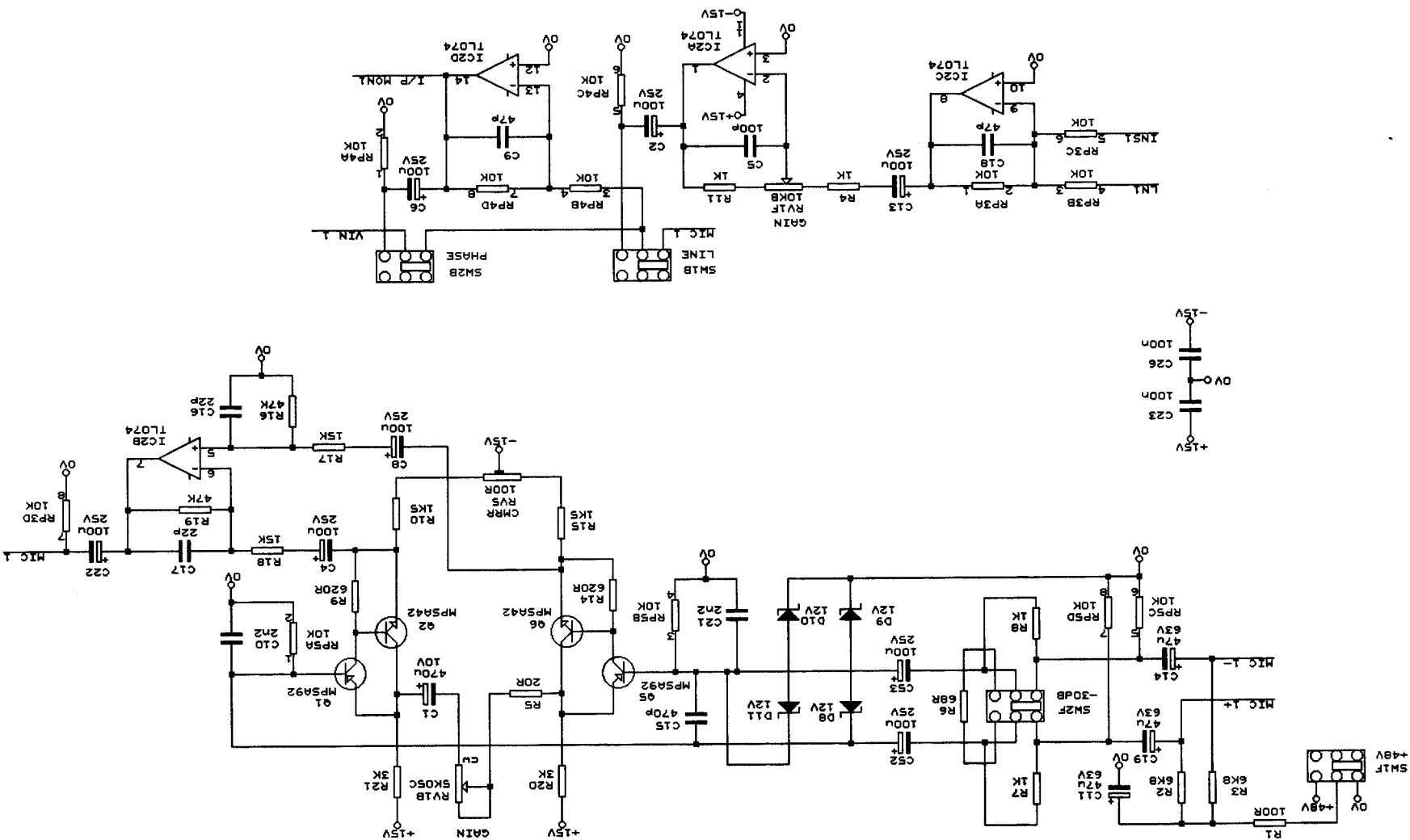
PC234B



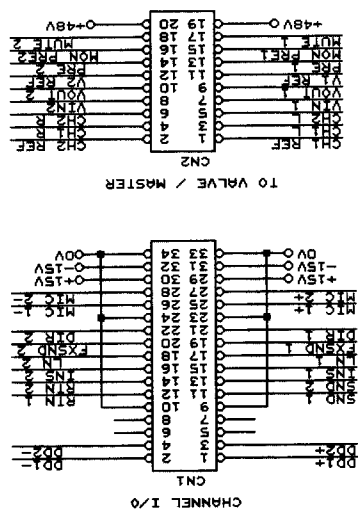
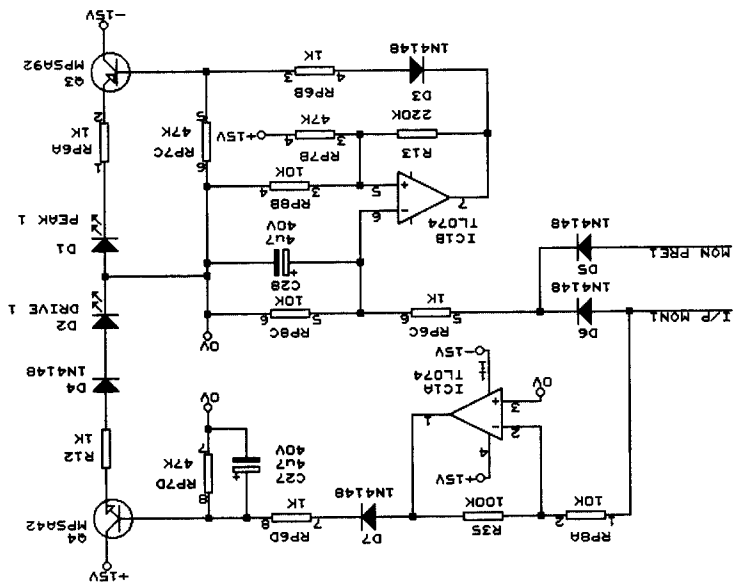
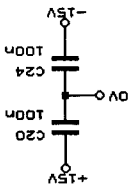
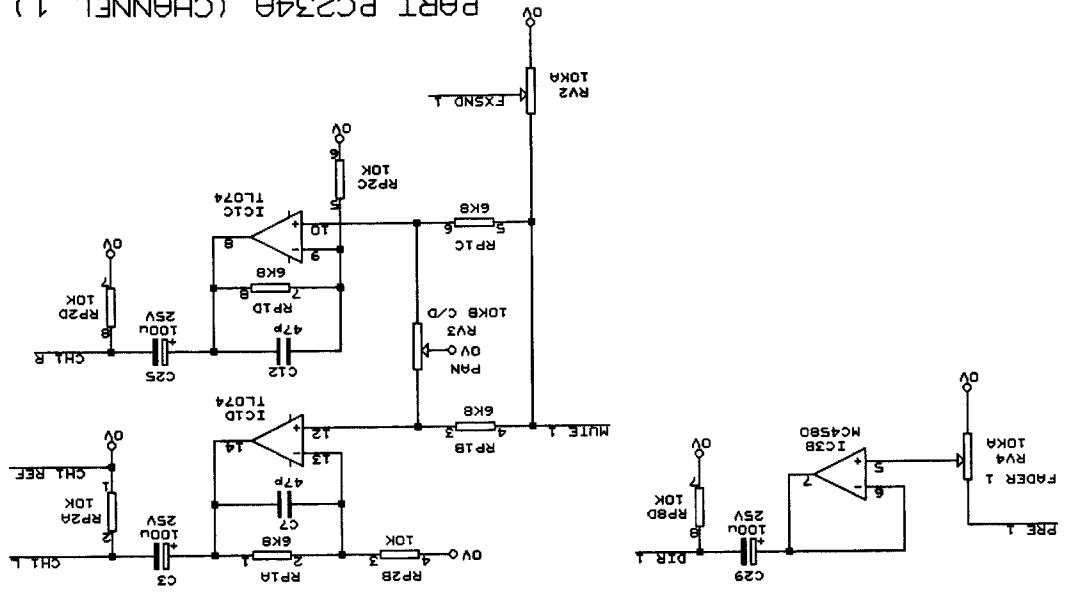
PC234A



PART PC234A (CHANNEL 1)



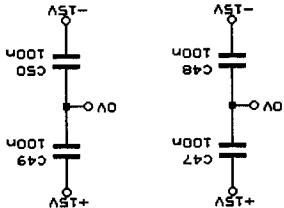
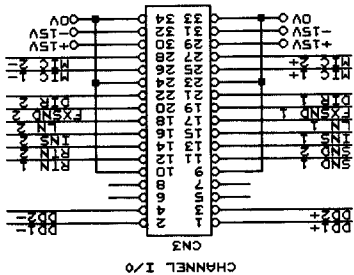
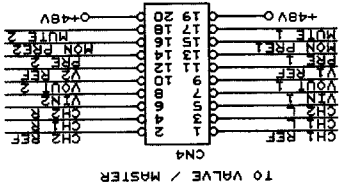
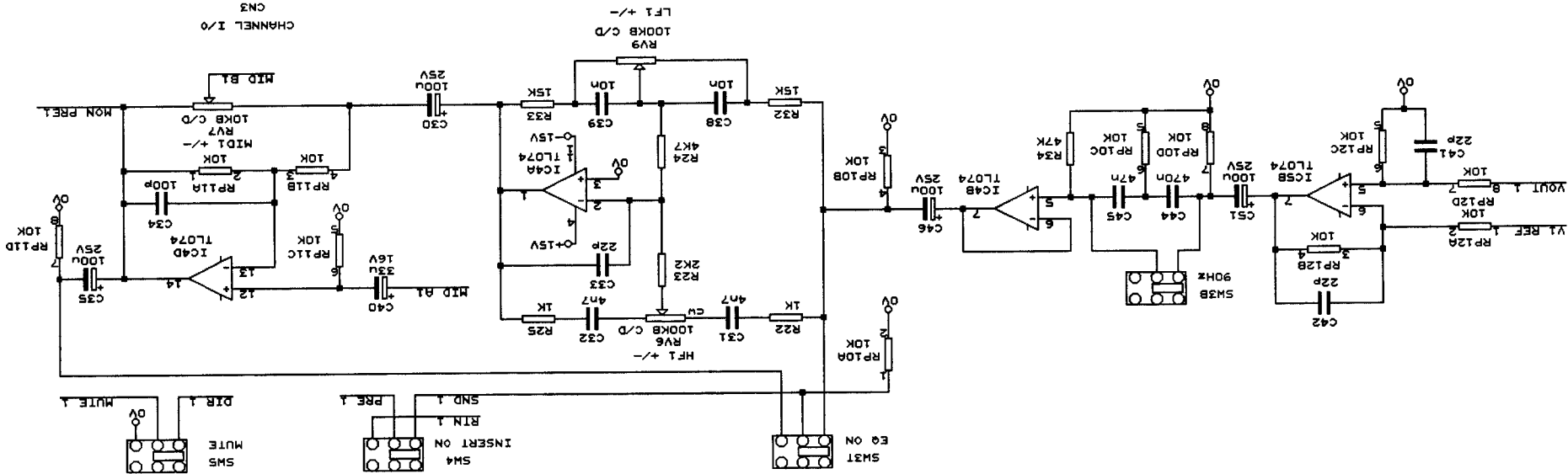
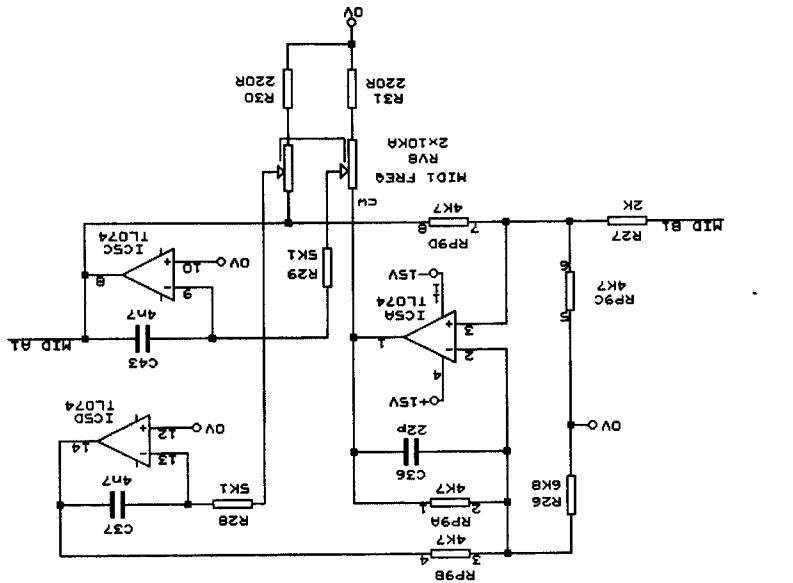
PART PC234A (CHANNEL 1)



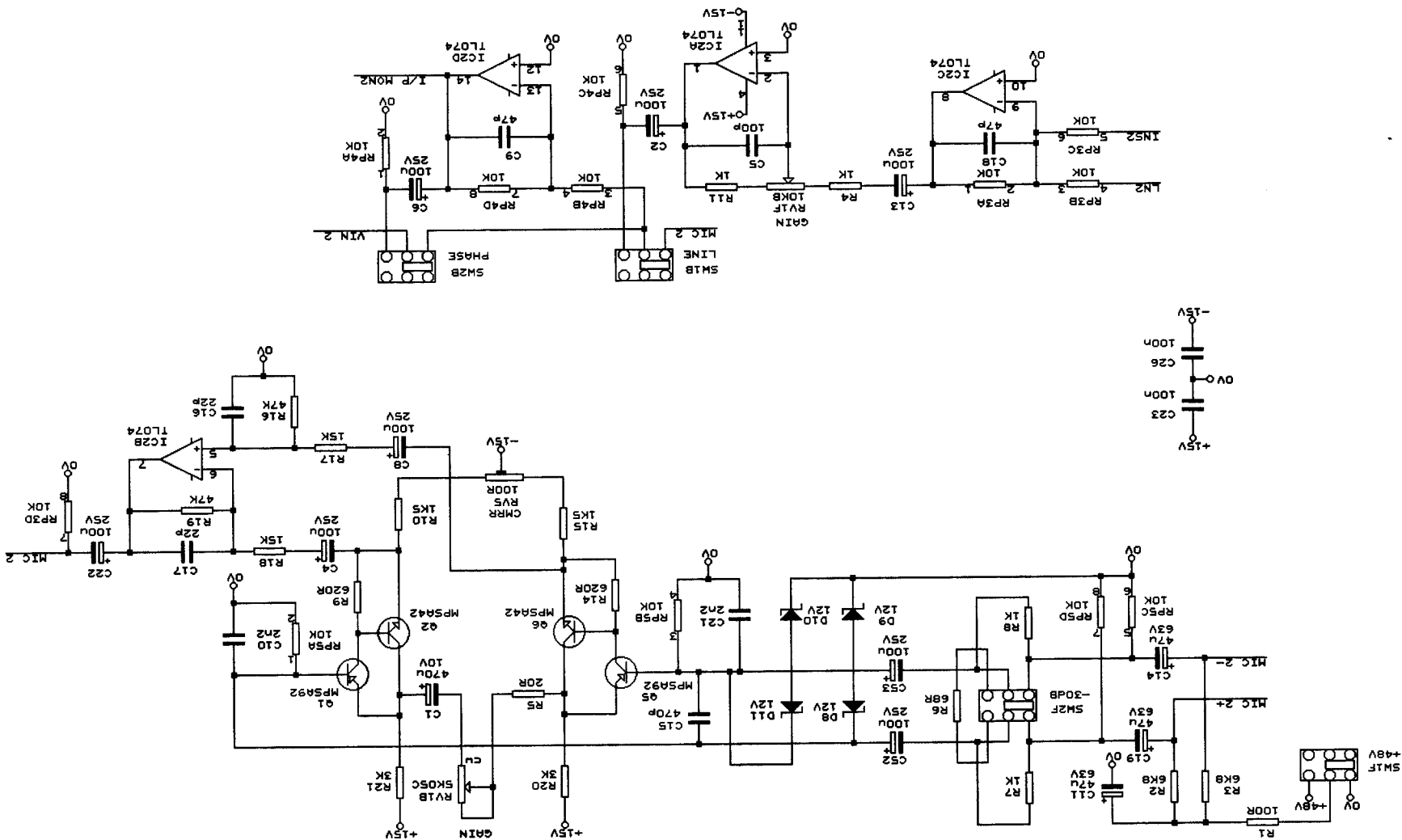
REV	Size Document Number	Title
1	CD1234	PAT TRACK CHANNEL
B	CD1234	TL Audio
Date: October 5, 2007 Sheet 3 of 7		

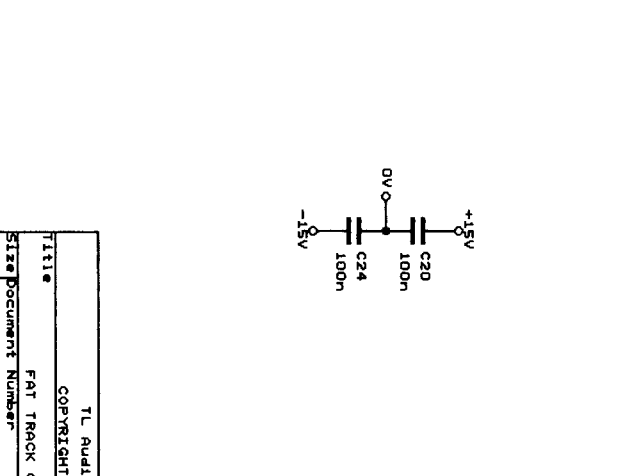
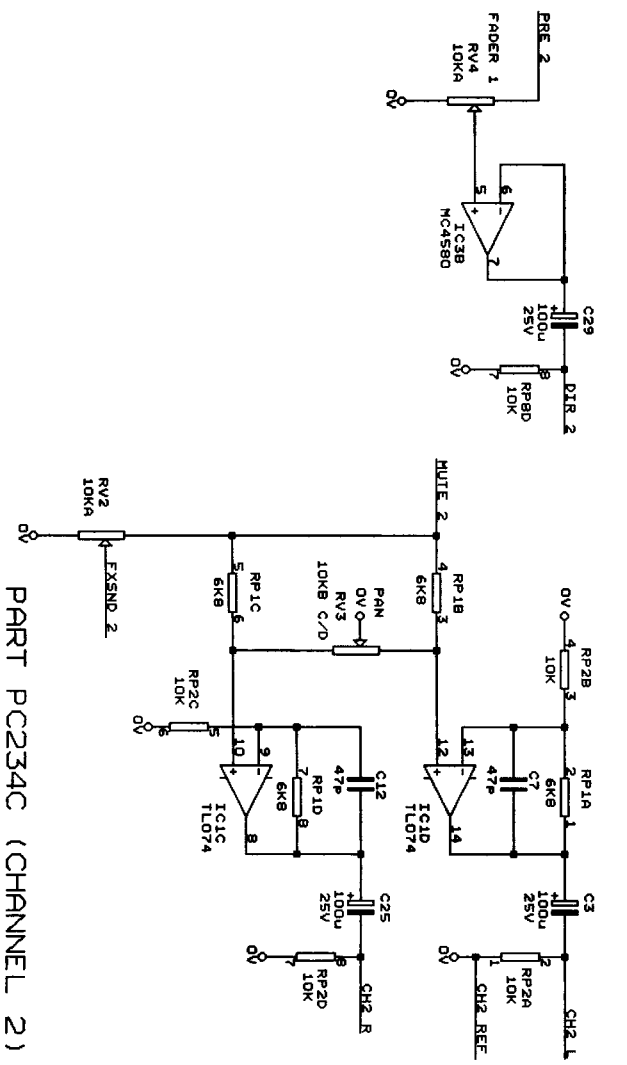
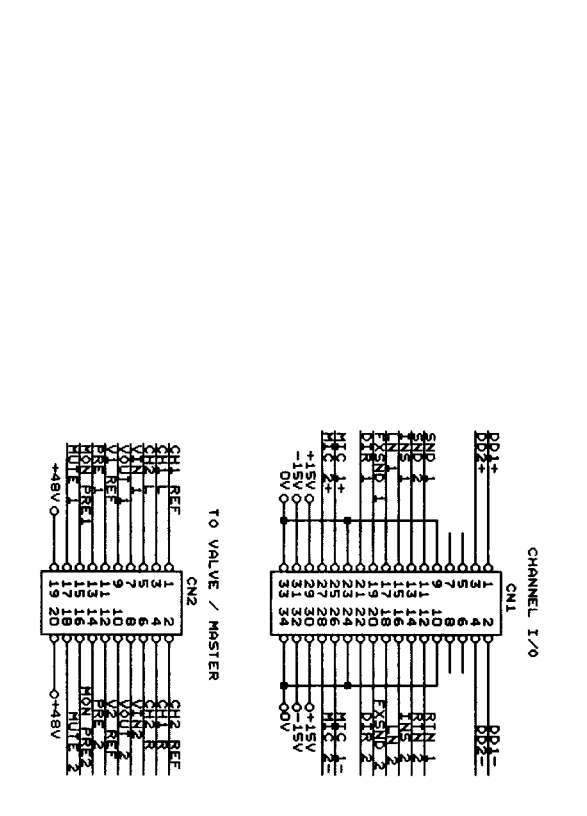
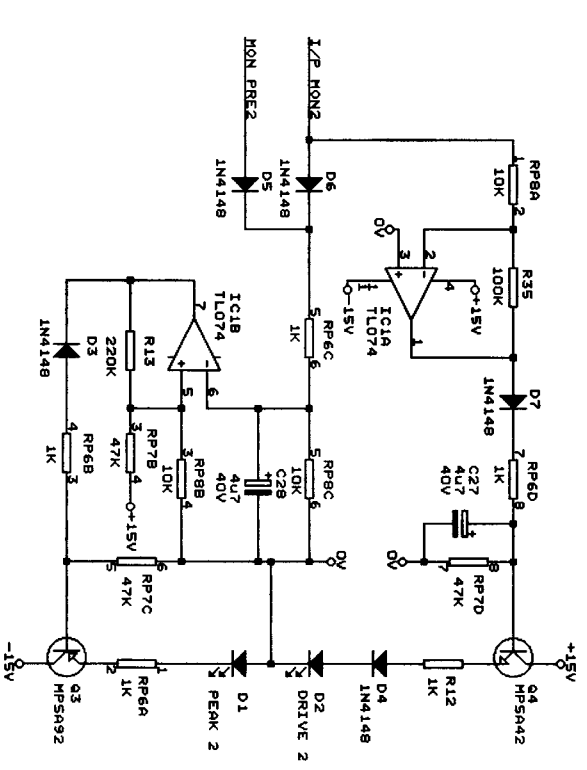
PC234B (CHANNEL 1 EQ)

REV	1	Title	TL Audio
Size	Document Number	FAT TRACK EQ	COPYRIGHT 2007
B	CD1234	Date:	October 5, 2007 Sheet 4 of 7



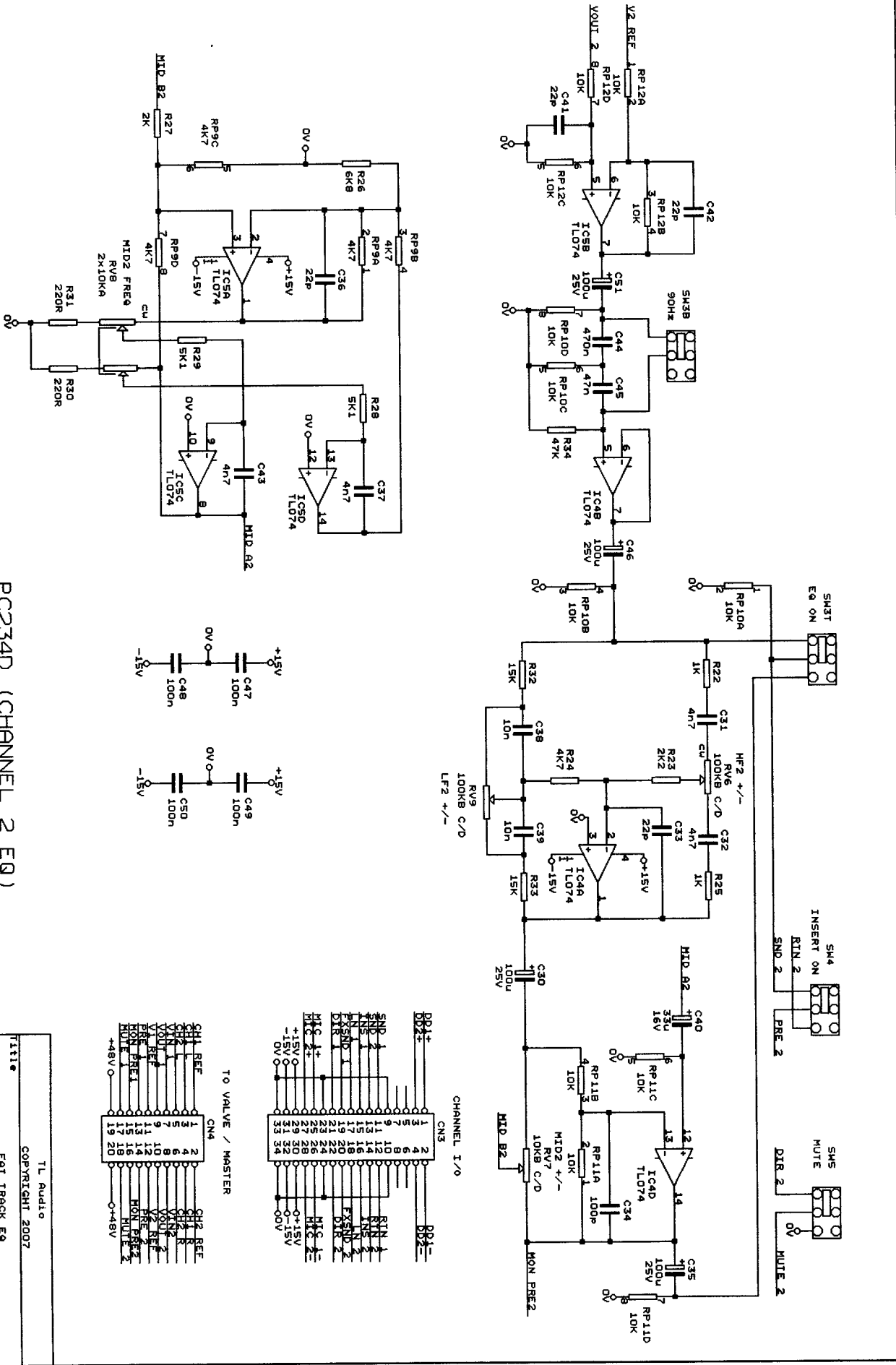
PART PC234C (CHANNEL 2)





PART PC234C (CHANNEL 2)

TL Audio	REV
COPYRIGHT 2007	1
FAT TRACK CHANNEL	
Size Document Number	
CD1234	
Date: October 5, 2007	
Sheet	
6 of 7	



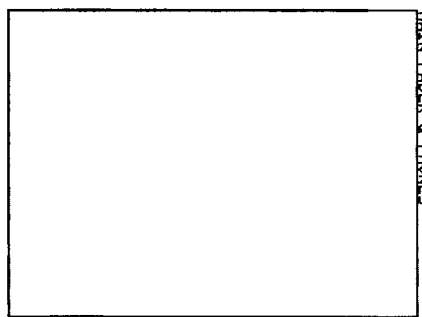
PC234D (CHANNEL 2 EQ)

TL Audio	
COPYRIGHT 2007	
TITLE FAT TRACK EQ	
Size Document Number	CD1234
REV	1
Date:	October 5, 2007 Sheet 7 of 7

ISSUE FROM S/N TO S/N		
1	850001	

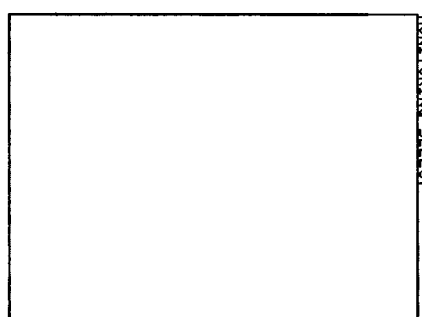
ISSUE FROM S/N TO S/N		

MAIN FADER & PHONES



PC235A

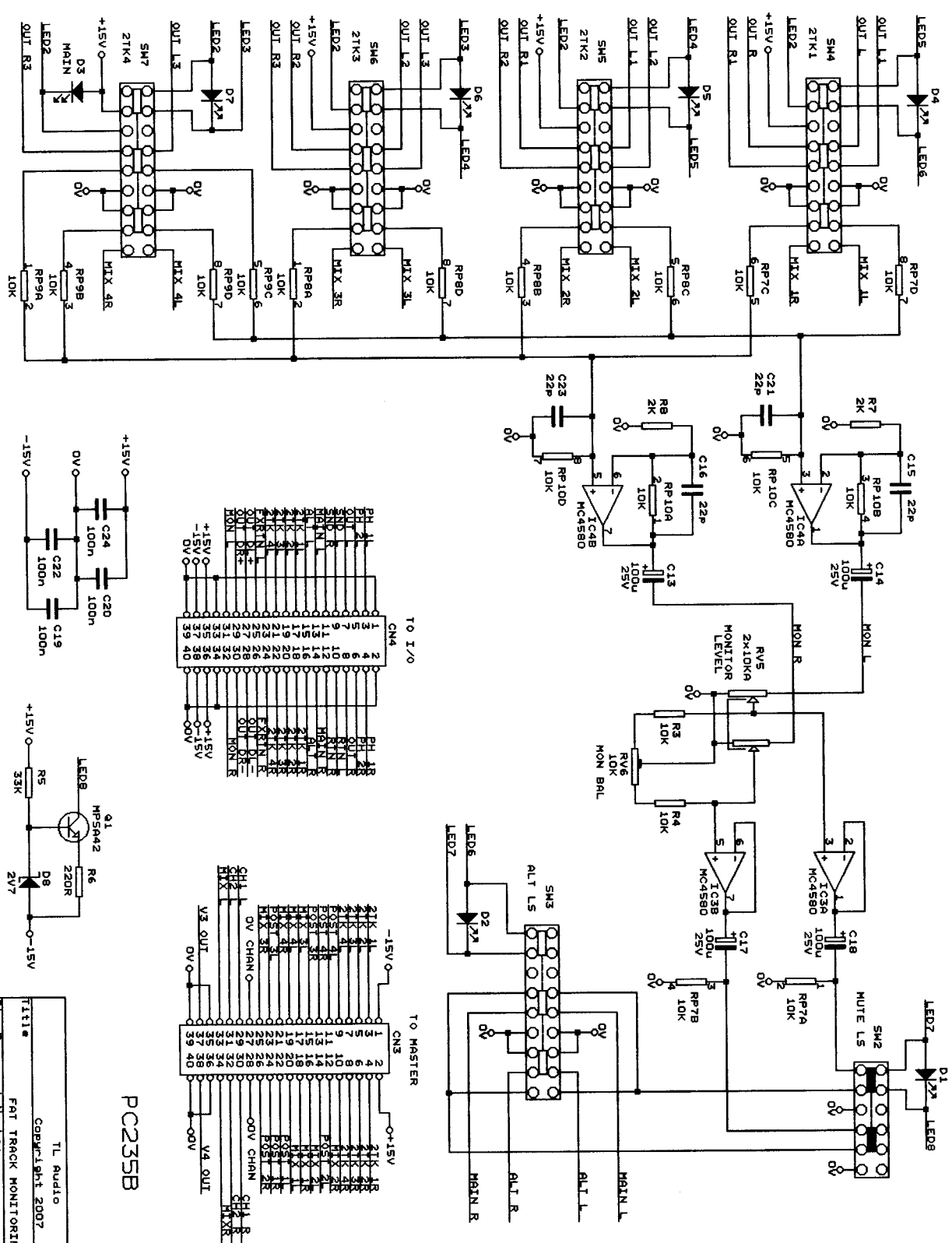
MONITORING SELECT



PC235B

CAUTION! HIGH VOLTAGE. REFER SERVICE TO QUALIFIED PERSONNEL ONLY.

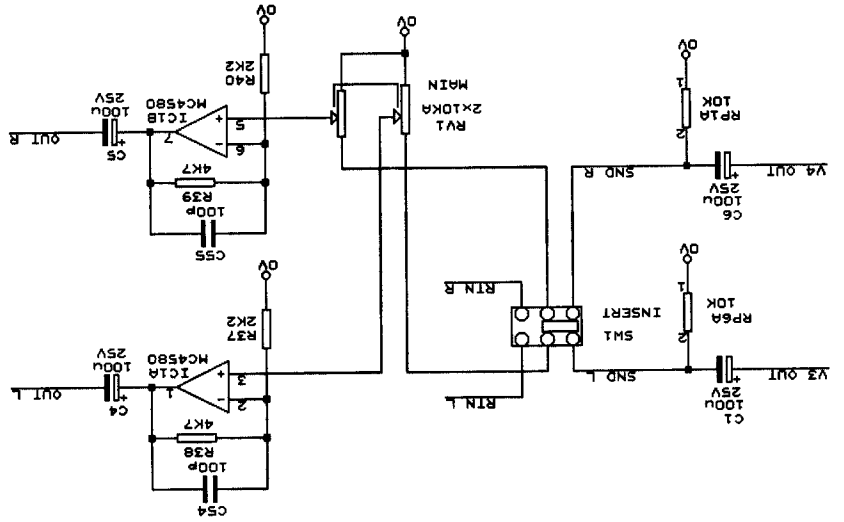
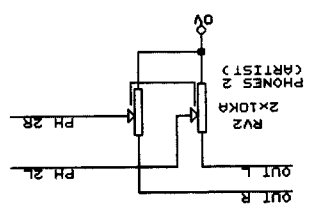
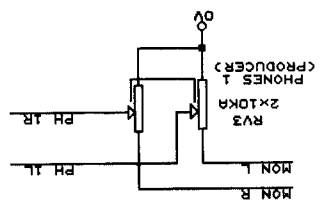
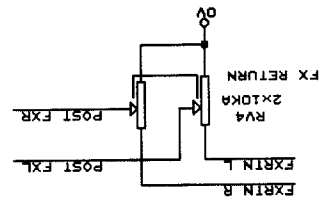
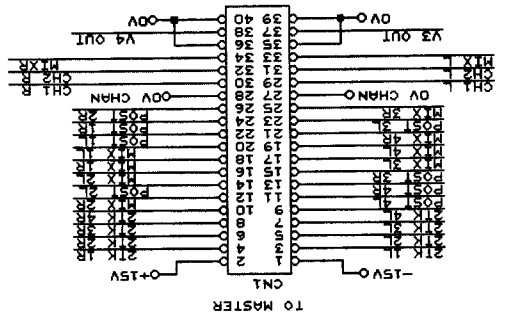
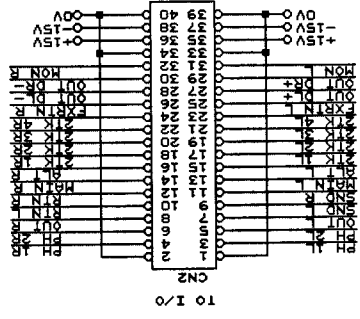
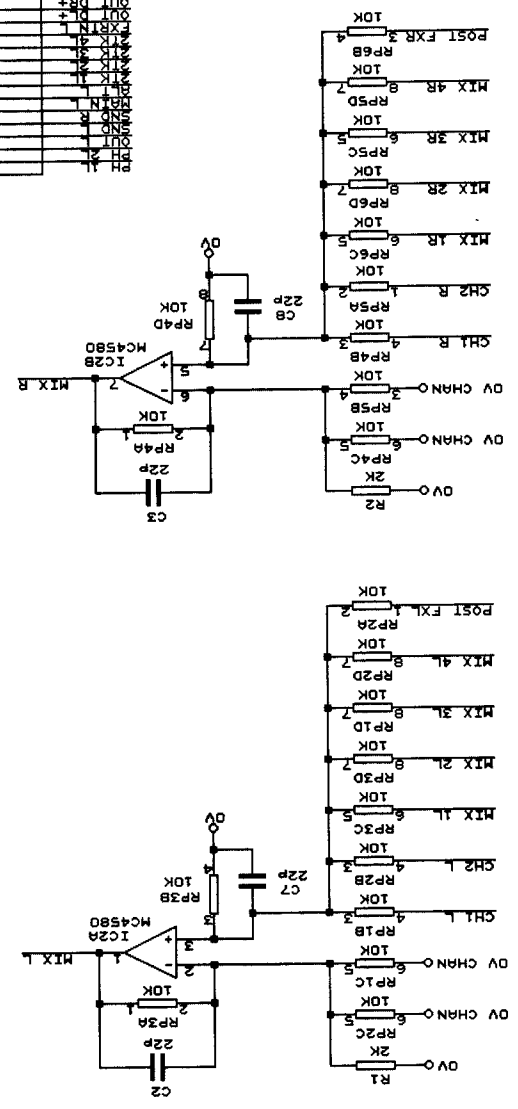
TL Audio	
Copyright 2007	
Title FAT TRACK MONITORING	
Size Document Number	CD1235
Date: February 19, 2008	Sheet 1 of 3
REV	1



PC235B

TL Audio	REV 1
Copyright 2007	REV 1
FAT TRACK MONITORING	REV 1
Size Document Number	CDL235
Date: October 9, 2007	Sheet 2 of 3

PC235A



Date: October 8, 2007 Sheet 3 of 3
Size Document Number CD1235
REV 1
Title FAT TRACK MONITORING
Copyright 2007
TL Audio

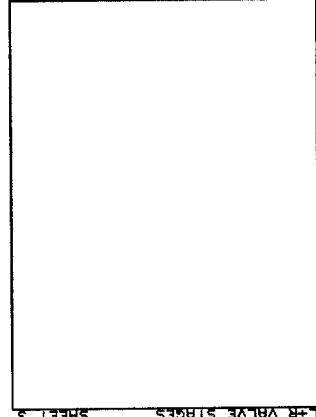
ISSUE	FROM S/N	TO S/N
1	850001	

ISSUE	FROM S/N	TO S/N

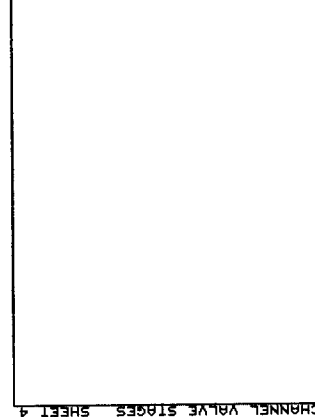
CAUTION! HIGH VOLTAGE. REFER SERVICE TO QUALIFIED PERSONNEL ONLY.

TL Audio	
Copyright 2007	
Title	
FAT TRACK MASTER	Size Document Number
CD1236	REV
B	1
Date: February 19, 2008 Sheet 4 of 4	

PC236A

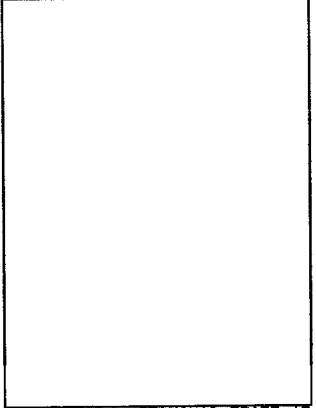


L-R VALVE STAGES SHEET 3

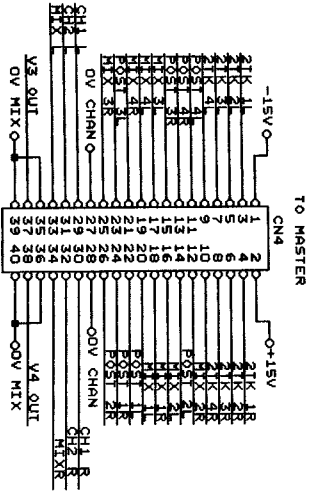
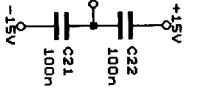
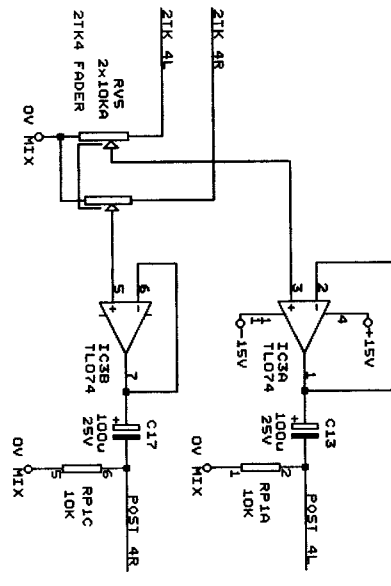
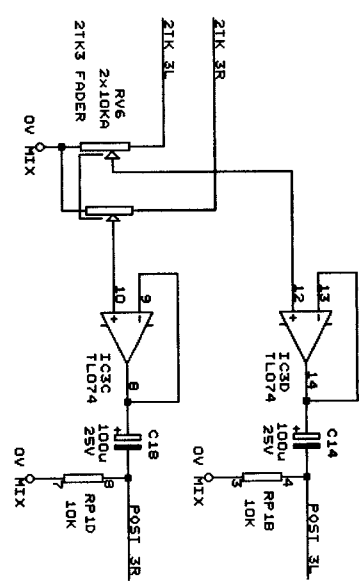
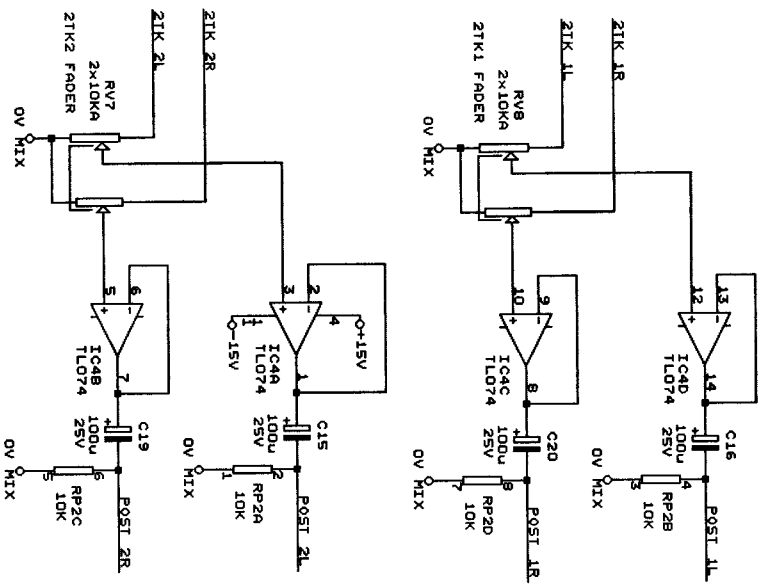


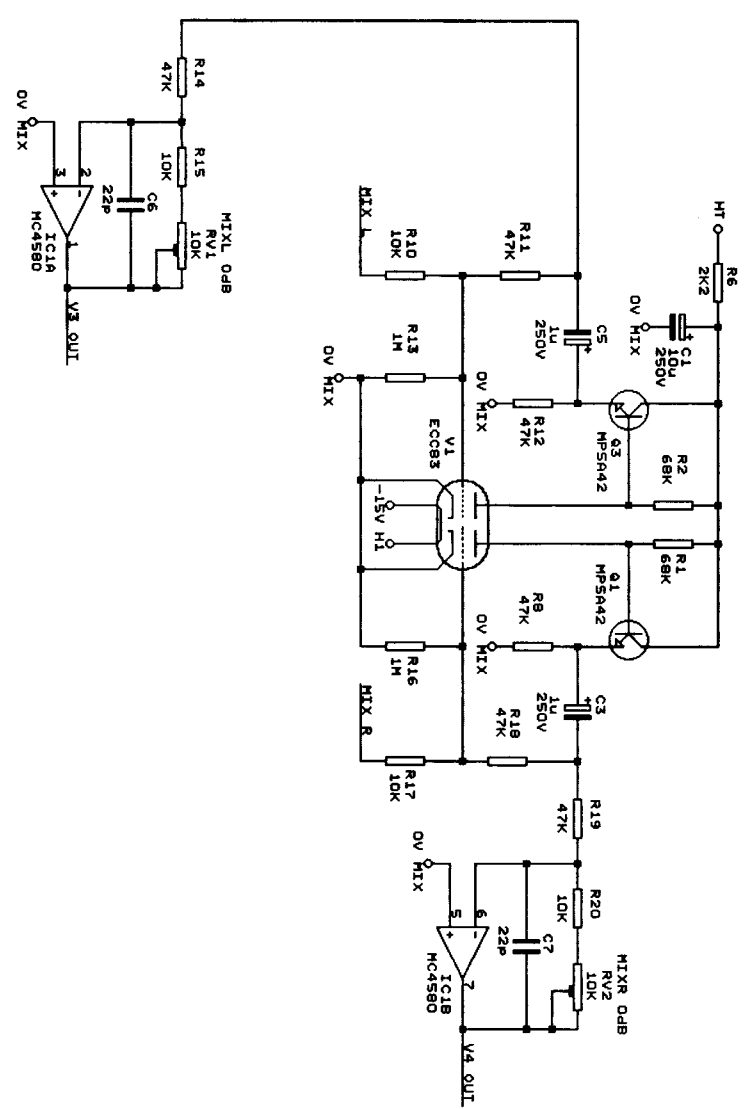
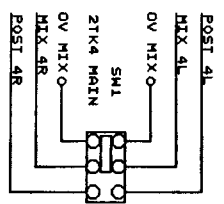
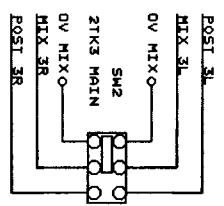
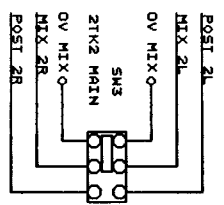
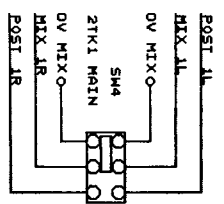
CHANNEL VALVE STAGES SHEET 4

PC236B

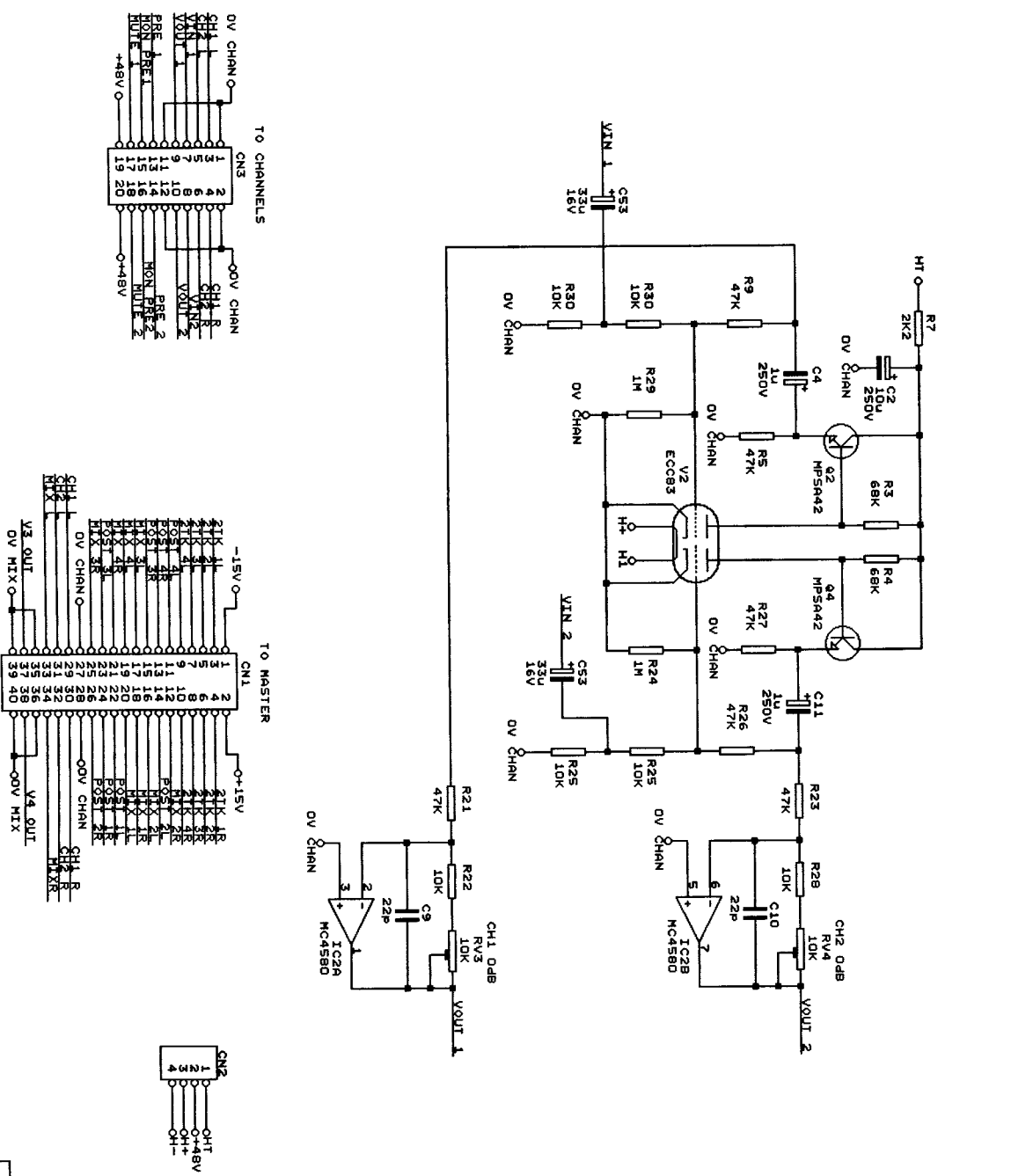


21 LEVEL CONTROLS SHEET 2

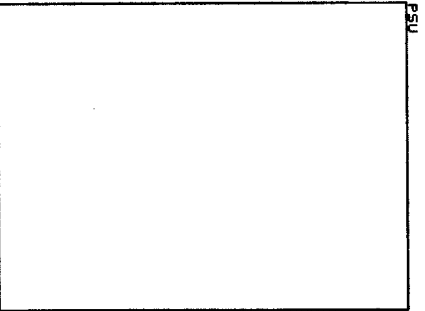




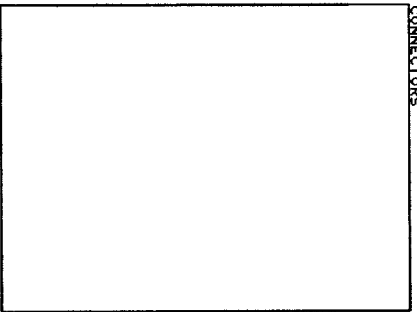
Title: TL Audio
 Copyright: 2007
 Title: FAT TRACK VALVE STAGES
 Size Document Number: CD1236
 Date: October 8, 2007 Sheet: 3 of 4
 REV 1



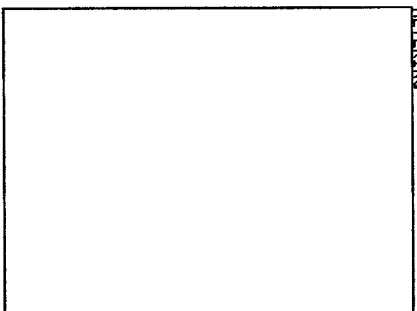
Title		TL Audio	
Size		Copyright 2007	
Document Number		FAT TRACK VALVE STAGES	
REV		B	
Date		October 8, 2007	
Sheet		4 of 4	



PSU



CONNECTORS



METERING

PC237A

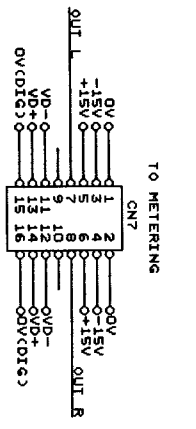
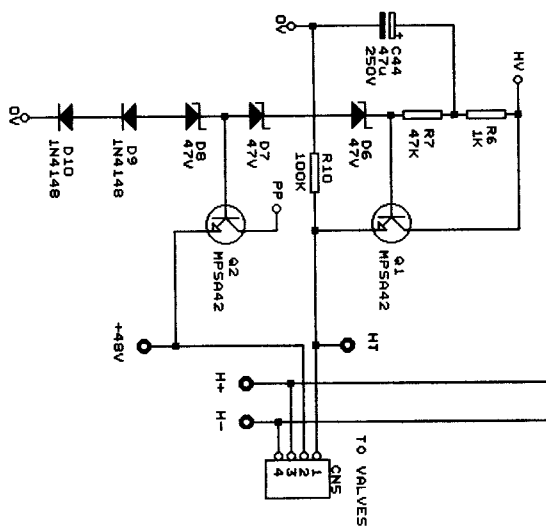
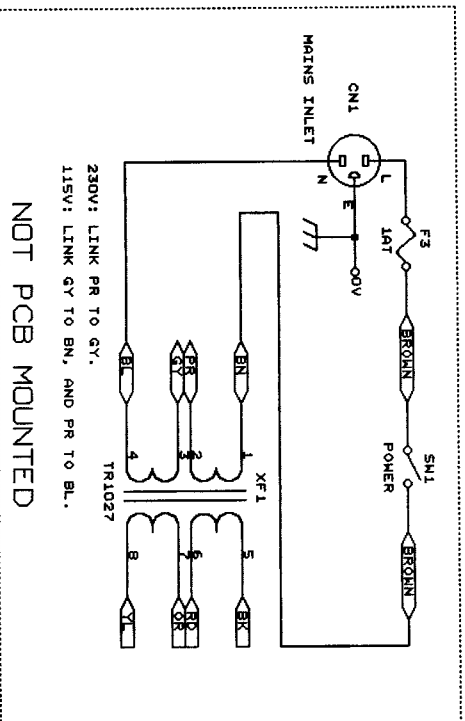
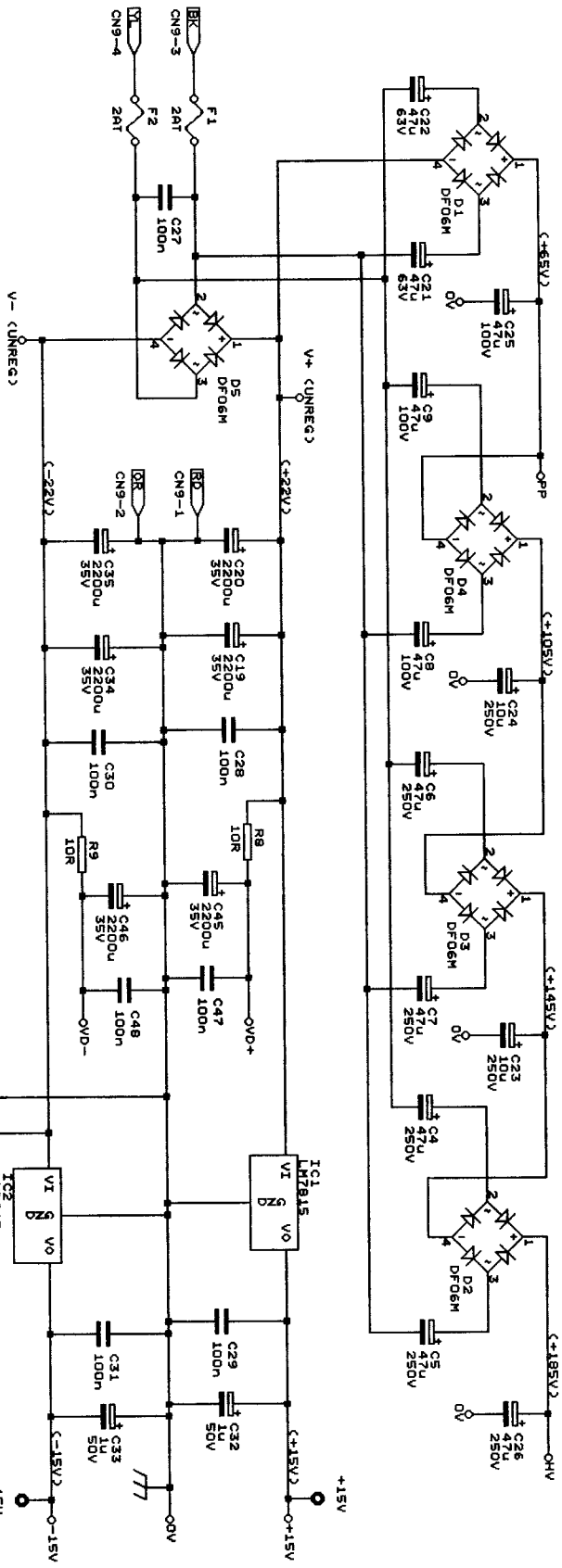
PC237B

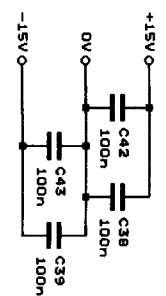
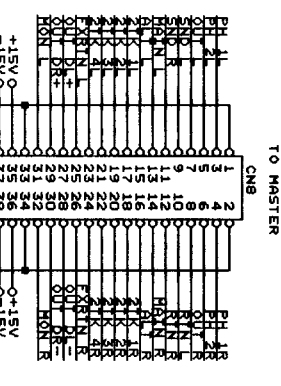
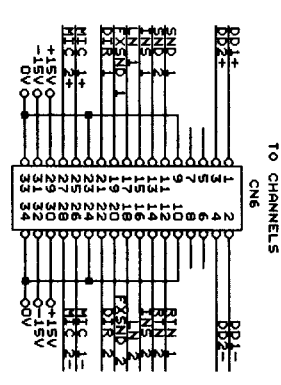
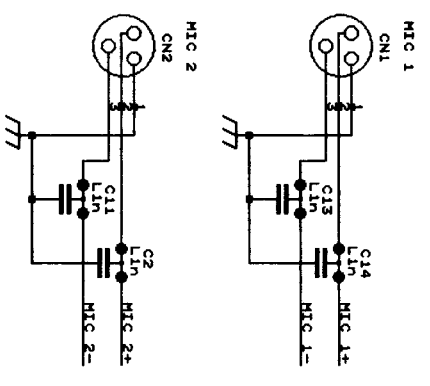
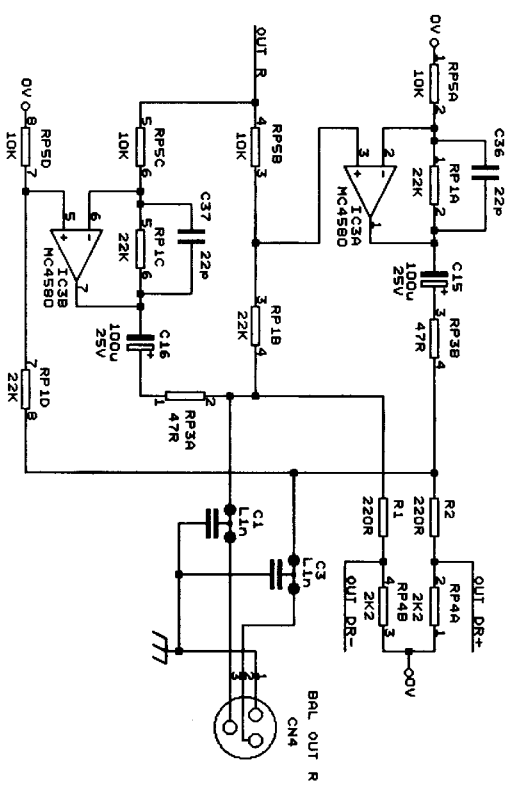
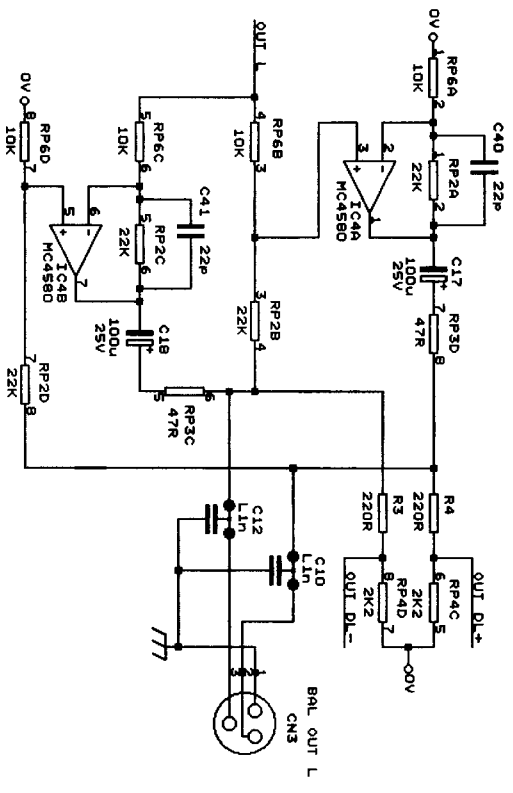
ISSUE	FROM S/N	TO S/N
1	950001	

ISSUE	FROM S/N	TO S/N

CAUTION! HIGH VOLTAGE. REFER SERVICE TO QUALIFIED PERSONNEL ONLY.

TL Audio	
Copyright 2007	
Title FAT TRACK PSU/METERING	
Size	REV
Document Number	1
CD1237	
Date	1 of 4
FEBRUARY 13, 2008	





TL Audio
 Copyright 2007
 Title FAT TRACK PSU/METERING
 Size Document Number CD1237
 Date: October 4, 2007 Sheet 3 of 4

