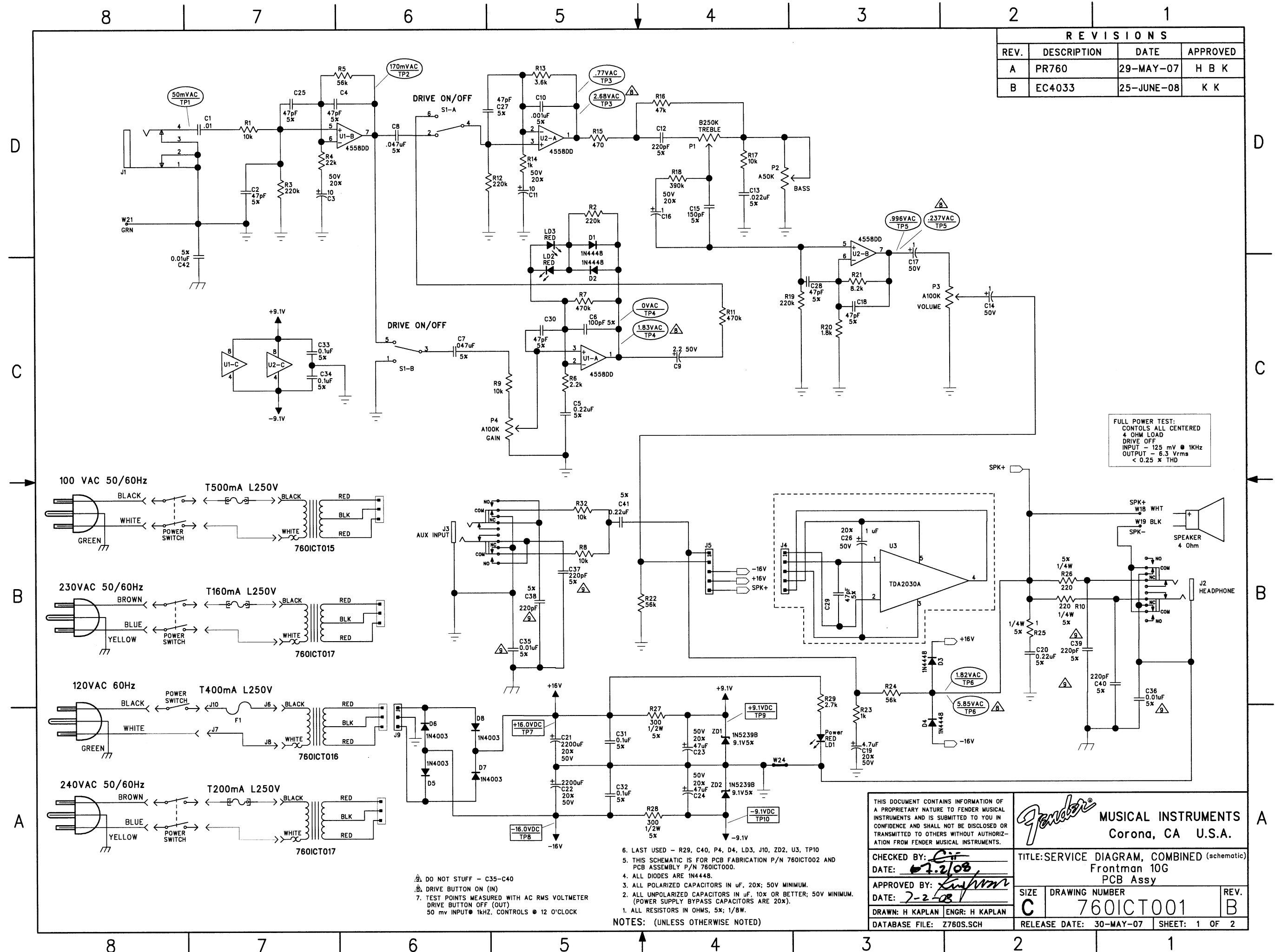
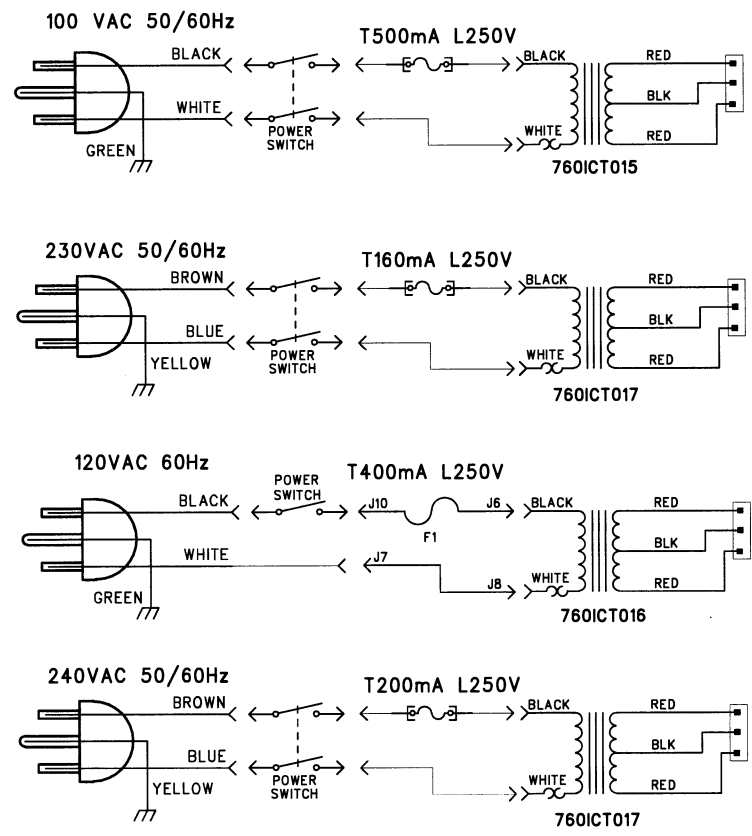


REVISIONS			
REV.	DESCRIPTION	DATE	APPROVED
A	PR760	29-MAY-07	H B K
B	EC4033	25-JUNE-08	K K



FULL POWER TEST:
 CONTROLS ALL CENTERED
 4 OHM LOAD
 DRIVE OFF
 INPUT - 125 mV @ 1KHz
 OUTPUT - 6.3 Vrms
 < 0.25 % THD



- ⚠ DO NOT STUFF - C35-C40
- ⚠ DRIVE BUTTON ON (IN)
- 7. TEST POINTS MEASURED WITH AC RMS VOLTMETER
 DRIVE BUTTON OFF (OUT)
 50 mv INPUT @ 1KHz, CONTROLS @ 12 O'CLOCK

- 6. LAST USED - R29, C40, P4, D4, LD3, J10, ZD2, U3, TP10
 - 5. THIS SCHEMATIC IS FOR PCB FABRICATION P/N 760ICT002 AND PCB ASSEMBLY P/N 760ICT000.
 - 4. ALL DIODES ARE 1N4448.
 - 3. ALL POLARIZED CAPACITORS IN uF, 20%; 50V MINIMUM.
 - 2. ALL UNPOLARIZED CAPACITORS IN uF, 10% OR BETTER; 50V MINIMUM. (POWER SUPPLY BYPASS CAPACITORS ARE 20%).
 - 1. ALL RESISTORS IN OHMS, 5%; 1/8W.
- NOTES: (UNLESS OTHERWISE NOTED)

THIS DOCUMENT CONTAINS INFORMATION OF A PROPRIETARY NATURE TO FENDER MUSICAL INSTRUMENTS AND IS SUBMITTED TO YOU IN CONFIDENCE AND SHALL NOT BE DISCLOSED OR TRANSMITTED TO OTHERS WITHOUT AUTHORIZATION FROM FENDER MUSICAL INSTRUMENTS.

CHECKED BY: *[Signature]*
 DATE: 6-2-08

APPROVED BY: *[Signature]*
 DATE: 7-2-08

DRAWN: H KAPLAN ENGR: H KAPLAN
 DATABASE FILE: 2760S.SCH

Fender MUSICAL INSTRUMENTS
 Corona, CA U.S.A.

TITLE: SERVICE DIAGRAM, COMBINED (schematic)
 Frontman 10G
 PCB Assy

SIZE: **C** DRAWING NUMBER: **760ICT001** REV. **B**

RELEASE DATE: 30-MAY-07 SHEET: 1 OF 2

