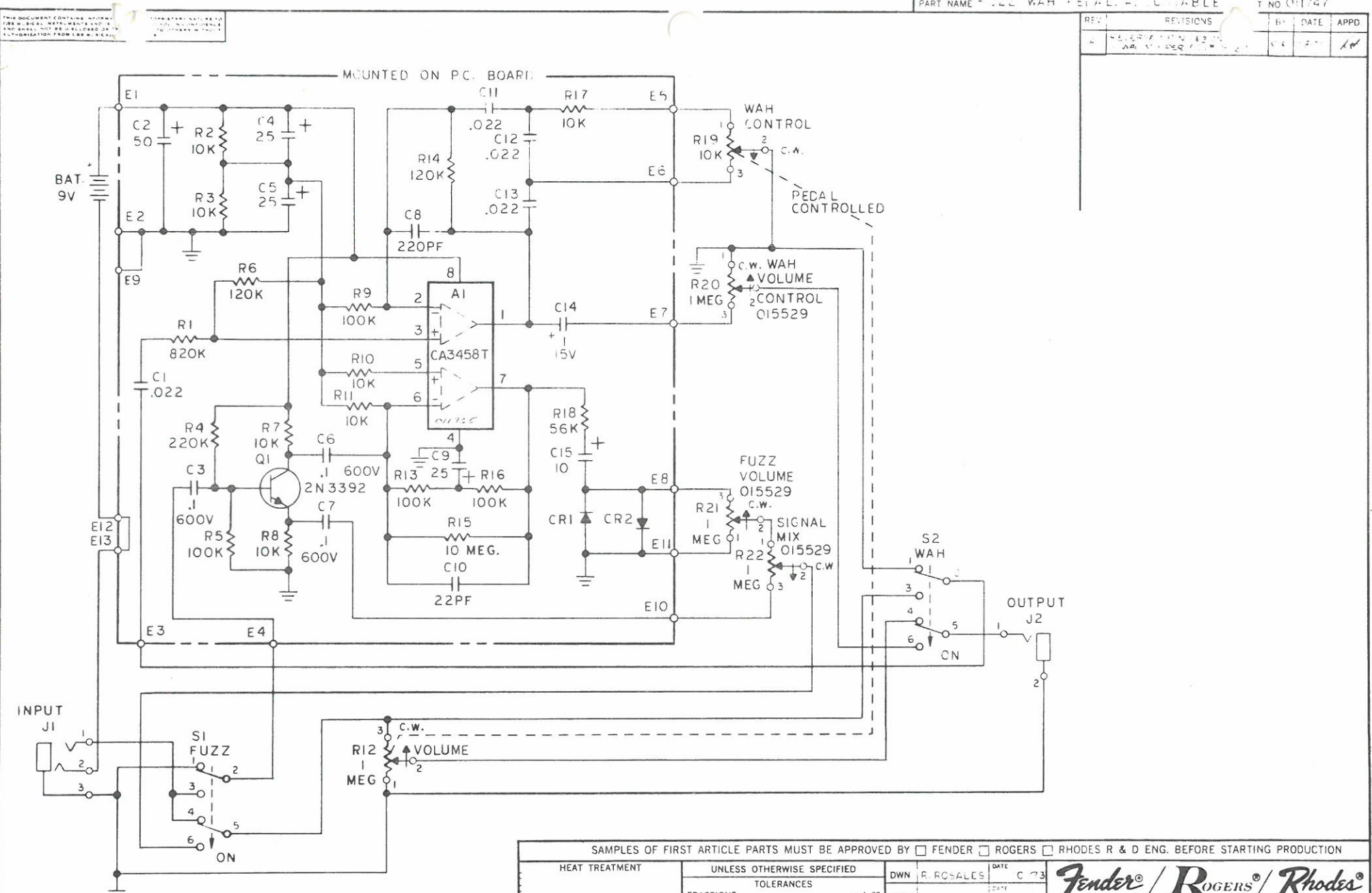


REV	REVISIONS	BY	DATE	APPD
A	RELEASED FOR PRODUCTION



3. LAST REFERENCE DESIGNATION USED, Q1, A1, R22, C14, CR2, S2, J2, AND BAT
 2. ALL CAPACITORS ARE RATED AT 25V DC, VALUES IN MICROFARADS
 ± 20% ELECTROLYTIC -20% +150%
 1. ALL RESISTORS ARE 1/2 WATT, VALUES IN OHMS ± 10%
 NOTES: UNLESS OTHERWISE SPECIFIED

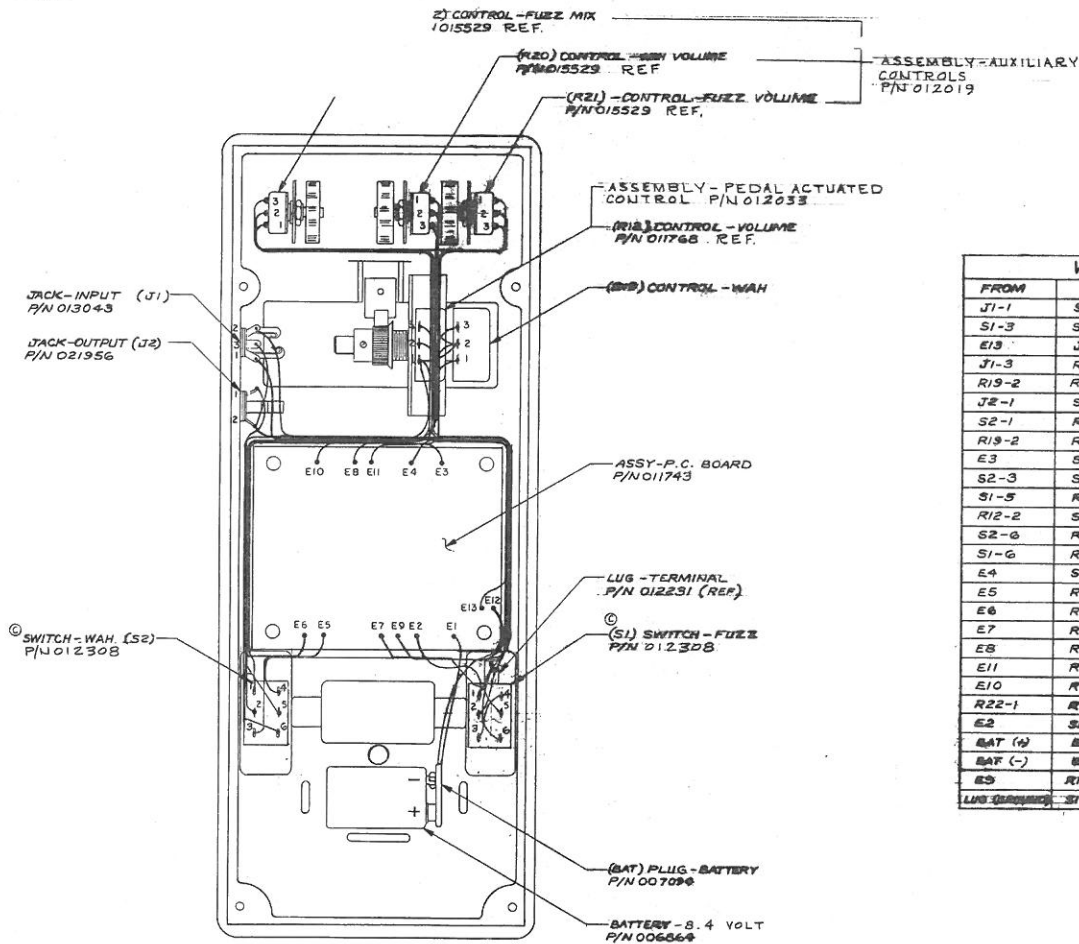
SAMPLES OF FIRST ARTICLE PARTS MUST BE APPROVED BY <input type="checkbox"/> FENDER <input type="checkbox"/> ROGERS <input type="checkbox"/> RHODES R & D ENG. BEFORE STARTING PRODUCTION			
HEAT TREATMENT	UNLESS OTHERWISE SPECIFIED	DWN	R. ROSALES DATE C 73
ROCKWELL	TOLERANCES	CHK	DATE / /
	FRACTIONS = 1/32	APPC	DATE / /
	.XX = .010	M E	DATE / /
	.XXX = .005	APPC	DATE / /
	ANGLES = 1/2	E E	DATE / /
	FRACTIONS - WOOD = 1/16	MATERIAL	
	HOLES - CORED = .005 - .000	FINISH - TO CBS SPEC	
	BEND ANGLES = 1	RELEASE	
	HOLES - DRILLED & PIERCED = .003 - .001	SIZE	
	DRAFT ANGLES = MAX	PART NO. 011747	
	STRAIGHTNESS	REV A	
	UNMARKED ANGLES ARE 90°	SCALE	
	ALL DIMENSIONS ARE IN INCHES	MODEL	
	DO NOT SCALE DRAWING	NO	

Fender® / ROGERS® / Rhodes®
 CBS MUSICAL INSTRUMENTS — A DIVISION OF CBS, INC.
 FULLERTON, CALIFORNIA 92631

PART NAME
**FUZZ-WAH PEDAL,
 ADJUSTABLE**

RELEASE 657
 SIZE C
 PART NO. 011747
 REV A

NOTICE: THIS DRAWING IS THE PROPERTY OF FENDER MUSIC CORPORATION. IT IS TO BE USED ONLY FOR THE MANUFACTURE OF THE INSTRUMENTS SPECIFIED HEREON.



WIRE LIST			
FROM	TO	COLOR	LENGTH
J1-1	S1-3	BROWN	11 1/2
S1-3	S1-4	BROWN	2 1/2
E13	J1-2	BLACK	10 1/2
J1-3	R12-1	WHITE	6 1/2
R19-2	R12-1	WHITE	1 1/2
J2-1	S2-5	ORANGE	0
S2-1	R19-2	WHITE	11 1/2
R19-2	R20-1	WHITE	3 1/2
E3	S2-2	YELLOW	8
S2-3	S1-5	GREEN	6
S1-5	R12-3	GREEN	8 1/2
R12-2	S2-4	BLUE	9
S2-6	R20-2	BROWN	13
S1-6	R22-2	VIOLET	14
E4	S1-2	VIOLET	7 1/2
E5	R19-1	VIOLET	9
E6	R19-3	BROWN	9 1/2
E7	R20-5	ORANGE	11
E8	R21-3	GREEN	7
E11	R21-1	BLUE	7 1/2
E10	R22-3	WHITE	5
R22-1	R21-2	YELLOW	7
E2	S1-1	BLACK	2
BAT (+)	E1	RED	
BAT (-)	E12	BLACK	
E8	R12-1	WHITE	8 1/2
LUG (GROUND)	S1-1	BLACK	1

THESE 2 LEADS ARE PART OF P/N 002094
GROUND LUG MOUNTED ON FUZZ SWITCH

REV.	REVISIONS	BY	DATE	APP.
A	ADDED TO WIRE LIST FROM LIST USED TO 21-10-68 IN LATER LISTS. PER ECO# 1777	WTC	10-2-75	At
B	EDT TO R12-3 WIRE TO REL-1, REL-1 TO REL-2 WIRE TO REL-1 TO REL-2 PER ECO# 2219		11-8-75	At
C	ECO# 5027		1-21-76	At

BROWN WIRE - S1-3 TO S1-4 X 2 1/2 LONG WAS 1" LONG SWITCH P/N 012308 WAS P/N 007094. ADDED TO NOTE #1 FOR #20 AWG WIRE.

SOLDERING USE SOLDER P/N 023994.

ALL INTERCONNECTIONS USE #22 AWG WIRE P/N 071720, OR #20 AWG WIRE, OTHERWISE SPECIFIED

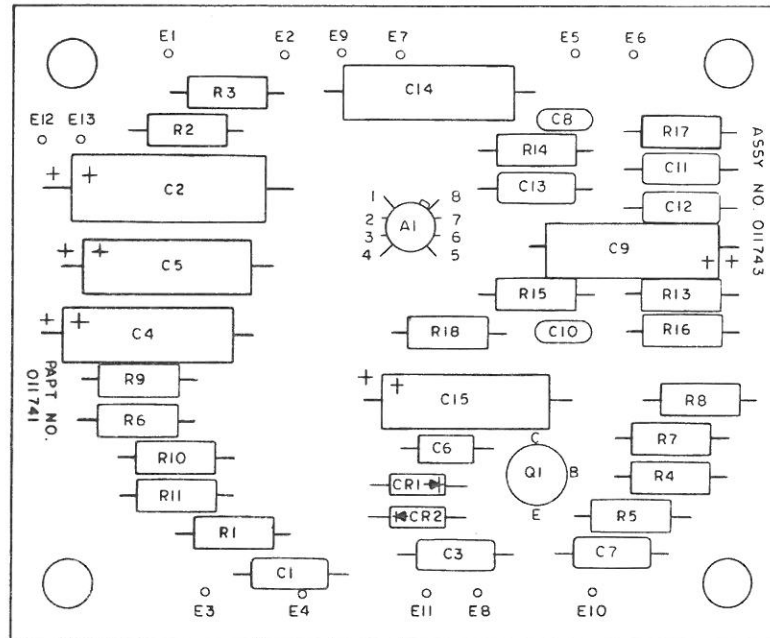
SAMPLES OF FIRST ARTICLE PARTS MUST BE APPROVED BY <input checked="" type="checkbox"/> FENDER <input type="checkbox"/> ROGERS <input type="checkbox"/> RHODES R & D ENG. BEFORE STARTING PRODUCTION			
HEAT TREATMENT	UNLESS OTHERWISE SPECIFIED	DWN	P. ROSALES 5/18/75
	FRACTIONS TOLERANCES ± 1/32	CHK	DATE 1/1
	JXX ± .010		
	JXX ± .005	M.E.	DATE 7/20/75
ROCKWELL	ANGLES ± 1/2°	APD	DATE 8/11/75
	FRACTIONS - WOOD ± 1/16		
	HOLES - CORED +.005 - .000		
	BEND ANGLE ± 1°		
	HOLES - DRILLED & PIERCED +.003 - .001		
	DRAFT ANGLES MAX		
	STRAIGHTNESS UNMARKED ANGLES ARE 30°		
	ALL DIMENSIONS ARE IN INCHES		
012024	DO NOT SCALE DRAWING	FINISH - TO C.S. SPEC	
NEXT ASSY NO.	USED ON		
Fender / Rogers / Rhodes		PART NAME	
CBS MUSICAL INSTRUMENTS - A DIVISION OF CBS INC. FULLERTON, CALIFORNIA 92631		FUZZ WAH COMPONENT	
RELEASE	SIZE	PART NO.	REV
637	D	012023	C
SCALE	MODEL NO.		

THIS DOCUMENT CONTAINS INFORMATION OF A PROPRIETARY NATURE TO CBS MUSICAL INSTRUMENTS AND IS TO BE KEPT IN CONFIDENCE AND SHALL NOT BE DISCLOSED OR REPRODUCED IN ANY MANNER WITHOUT THE AUTHORIZATION FROM CBS MUSICAL INSTRUMENTS.

PROPRIETARY NATURE TO CBS MUSICAL INSTRUMENTS AND IS TO BE KEPT IN CONFIDENCE AND SHALL NOT BE DISCLOSED OR REPRODUCED IN ANY MANNER WITHOUT THE AUTHORIZATION FROM CBS MUSICAL INSTRUMENTS.

REV. REVISIONS

BY DATE



A/R	QTY	PART NO.	DESCRIPTION	WHERE USED
		023994	SOLDER	
1		011925	I.C. CA3458T	A1
1		037119	TRANSISTOR 2N3392	Q1
1		021394	RESISTOR 10M 1/2W 10%	R15
1		065847	RESISTOR 820K 1/2W 10%	R1
1		021493	RESISTOR 220K 1/2W 10%	R4
2		065771	RESISTOR 120K 1/2W 10%	R6, R14
4		021345	RESISTOR 100K 1/2W 10%	R5, R9, R13, R16
1		021329	RESISTOR 56K 1/2W 10%	R18
7		021279	RESISTOR 10K 1/2W 10%	R2, R3, R7, R8, R10, R11, R17
2		006260	DIODE	CR1, CR2
1		068288	CAPACITOR 50 - 25V	C2
3		009512	CAPACITOR 25 - 25V	C4, C5, C9
1		021105	CAPACITOR 10 - 25V	C15
1		068296	CAPACITOR 1 - 15V	C14
1		007029	CAPACITOR 220PF	C8
1		004026	CAPACITOR 220PF	C10
3		021022	CAPACITOR .1 - 600V	C3, C6, C7
4		013472	CAPACITOR .022	C1, C11, C12, C13
1		011741	PRINTED CIRCUIT BOARD	
QTY		PART NO.	DESCRIPTION	WHERE USED

3 SAMPLES OF FIRST ARTICLE PARTS MUST BE APPROVED BY FENDER ROGERS RHODES R & D ENG. BEFORE STARTING PRODUCTION

HEAT TREATMENT	UNLESS OTHERWISE SPECIFIED	DWN R. ROSALES DATE 9 11 73	<p>CBS MUSICAL INSTRUMENTS - A DIVISION OF CBS, INC. FULLERTON, CALIFORNIA 92631</p>
ROCKWELL	TOLERANCES	CHK DATE / /	
	FRACTIONS = 1.32	APPD M.E. DATE / /	PART NAME ASSEMBLY - P.C. BOARD FUZZ WAH PEDAL
	.XX = .010	APPD E.E. DATE 9 11 73	
	.XXX = .005	MATERIAL	RELEASE SIZE PART NO. REV 3 C 011743 -
	ANGLES = 1 2°	FINISH - TO C.B.S. SPEC.	SCALE MODEL NO.
	FRACTIONS - WOOD = 1 16		
	HOLES - CORED = .005 - .000		
	BEND ANGLES = 1		
	HOLES - DRILLED & PIERCED = .003 - .001		
	DRAFT ANGLES = MAX.		
	STRAIGHTNESS		
	UNMARKED ANGLES ARE 90°		
	ALL DIMENSIONS ARE IN INCHES		
	DO NOT SCALE DRAWING		
NEXT ASSY NO.	USED ON		

REFER TO SCHEMATIC NO. 011747.

NOTES: UNLESS OTHERWISE SPECIFIED