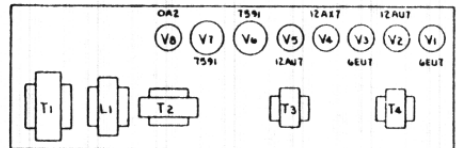
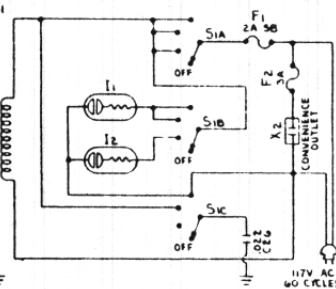
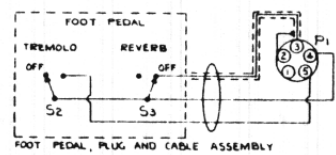
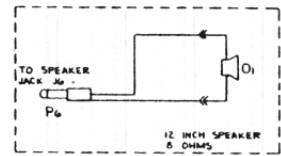
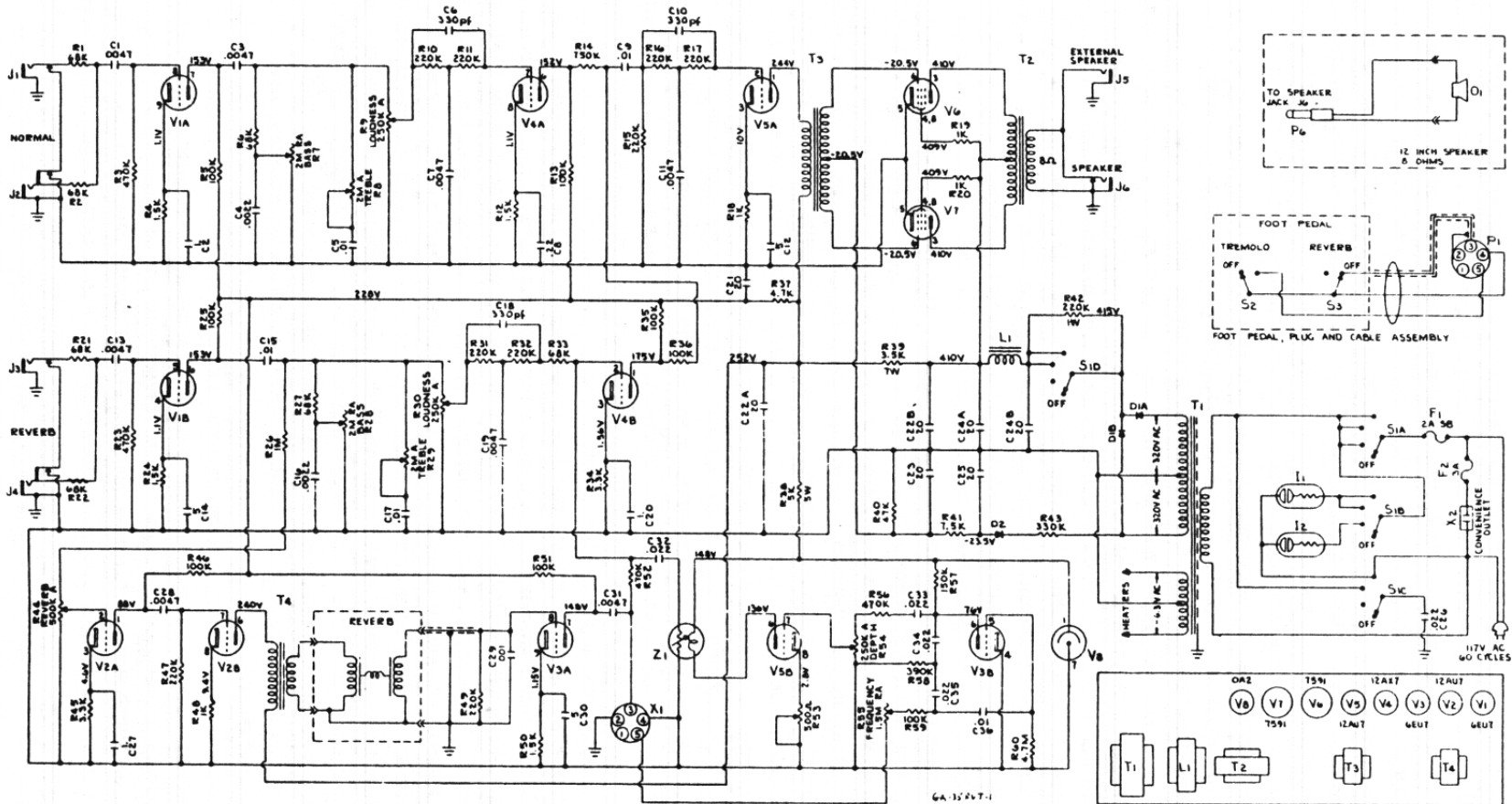


# GA-35RV T



- |              |                              |                |            |                        |
|--------------|------------------------------|----------------|------------|------------------------|
| T1           | Power Transformer            | TF-104P        | D1A, B     | Diode - 1200 PIV DI-57 |
| T2           | Output Transformer           | TF-P8417       | D2         | Diode 600 PIV DI-71B   |
| T3           | PP Driver Transformer        | TF-1001D-1     |            |                        |
| T4           | Reverb Transformer           | TF-E6400       |            |                        |
| L1           | Filter Choke                 | TF-3021H       |            |                        |
| S1A, C, D    | Switch - off, standby, on-On | SW-78A-1       |            |                        |
| S2, S3       | Switches - SPST              | SW-82403       |            |                        |
| I1           | PL-37R Pilot Light (Red)     | X1             | CN-78PCG-5 | Foot Pedal Socket      |
| I2           | PL-38A Pilot Light (Amber)   | X2             | CH-303     | AC Convenience Outlet  |
| R9, R30, R54 | Control - 250K, Audio        | CBA-4008       |            |                        |
| R8, R29      | Control - 2 meg, audio       | CBA-911-3702-1 |            |                        |
| R4, R2       | Control - 500K Audio         | CBA-4007       |            |                        |
| R55          | Control - 1.5 meg, R4        | CBA-811-3711-1 |            |                        |
| R7, R28      | Control - 1 meg, audio       | CBA-811-3709-1 |            |                        |

GA-35RV-T