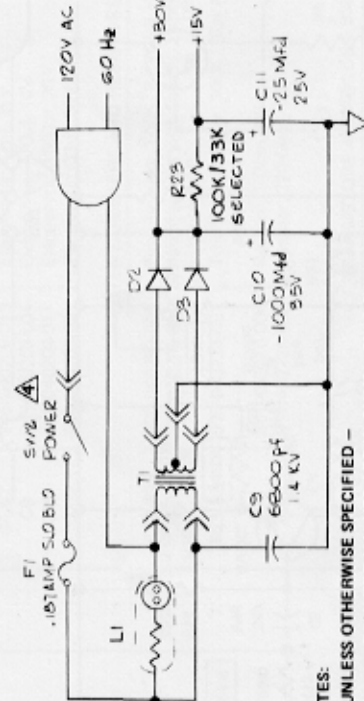
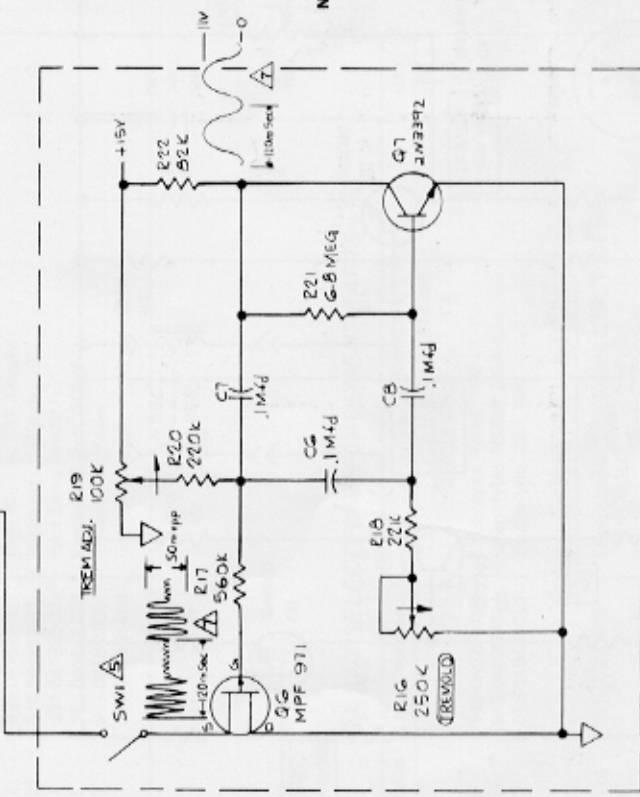
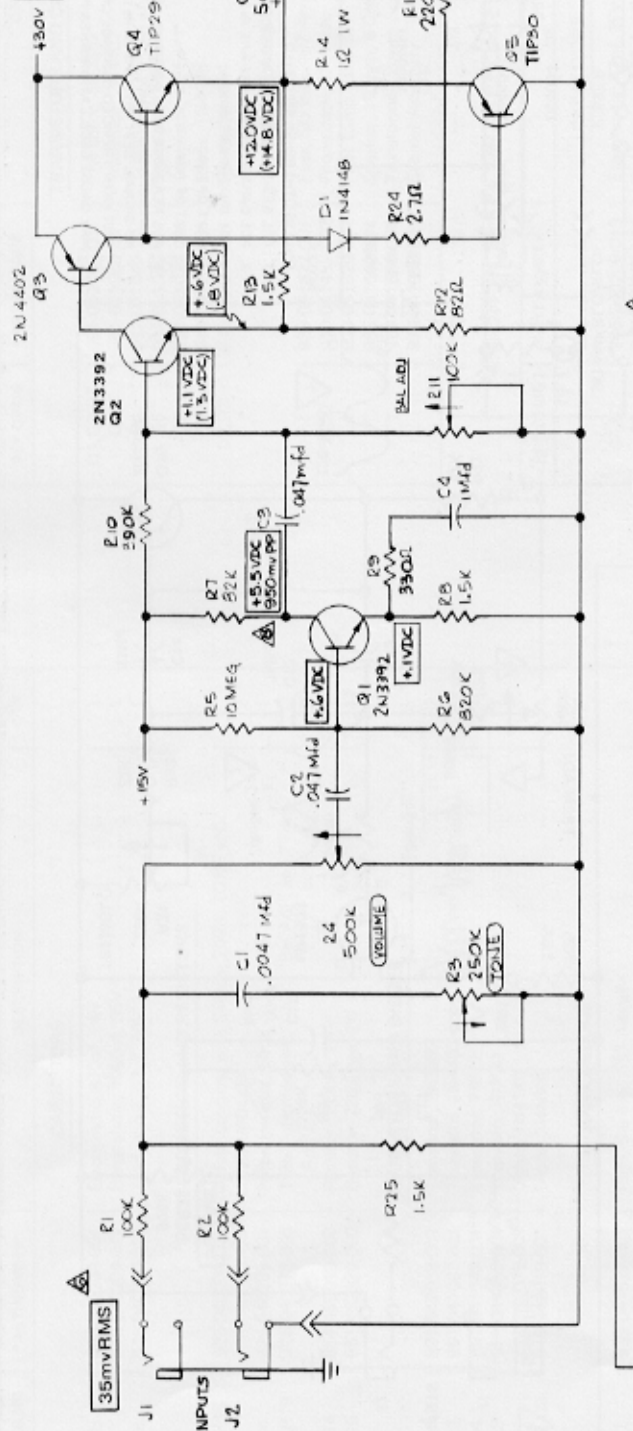


2.5 VDC, 1.4 VPP RIBBLE
(3.7 VDC, 300 mV RIBBLE)



- NOTES:
UNLESS OTHERWISE SPECIFIED -
1. ALL RESISTOR VALUES ARE IN OHMS, ±5%, 1/2W.
 2. ALL CAPACITOR VALUES ARE IN MFD.
 3. ALL DIODES ARE IN4004.
- ⚠ PART OF R3.
⚠ PART OF R16.
⚠ ALL READINGS WITH 35MVRMS, 1KHZ SIGNAL APPLIED AND TONE AND VOLUME CONTROLS CW AND TREMOLO CCW. (XX) INDICATES VOLUME CCW. NO SIGNAL. TEST WITH 8 OHM RESISTIVE LOAD.
⚠ TEST WITH TREMOLO CONTROL CW.
⚠ MAY CAUSE OSCILLATION WHEN PROBED.

