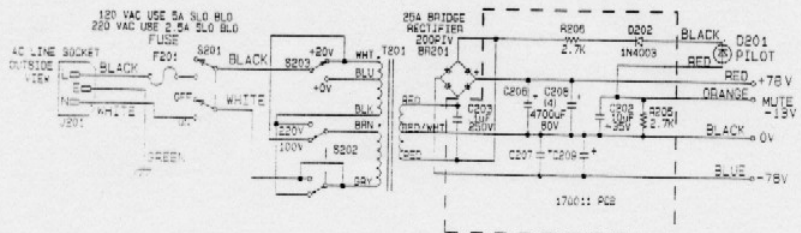
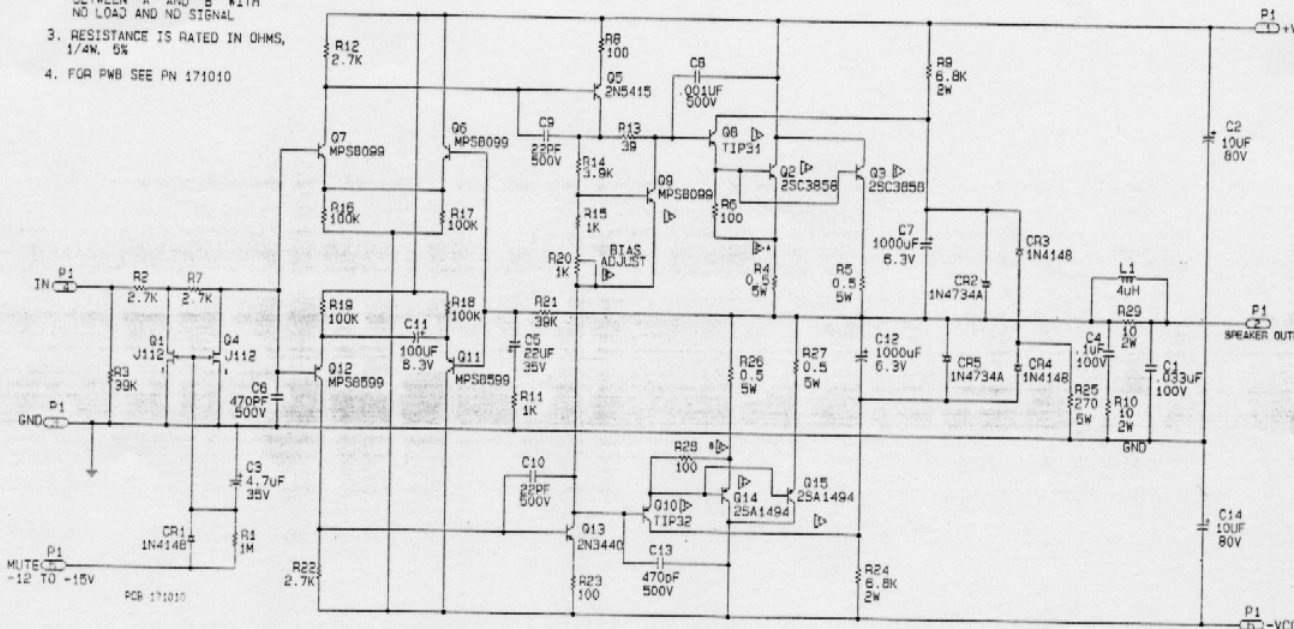


NOTES: UNLESS OTHERWISE SPECIFIED

- ▶ HEATSINK MOUNTED
- ▶ SET BIAS ADJUST FOR 7MVDC BETWEEN "A" AND "B" WITH NO LOAD AND NO SIGNAL
- 3. RESISTANCE IS RATED IN OHMS, 1/4W, 5%
- 4. FOR PWB SEE PN 171010

REVISION	DESCRIPTION
A	INITIAL RELEASE 7/3/91
B	ADDED REF DES TO PWB SPL#15793



GIBSON LABS 73346 SATBROO ST N HOLLYWOOD, CA 91605		SCHEMATIC, GB440 POWER AMP
NAME V. BRIVAS	DATE 2/12/91	DWG. NO. G20011
SCALE: NONE		SH. 1 OF