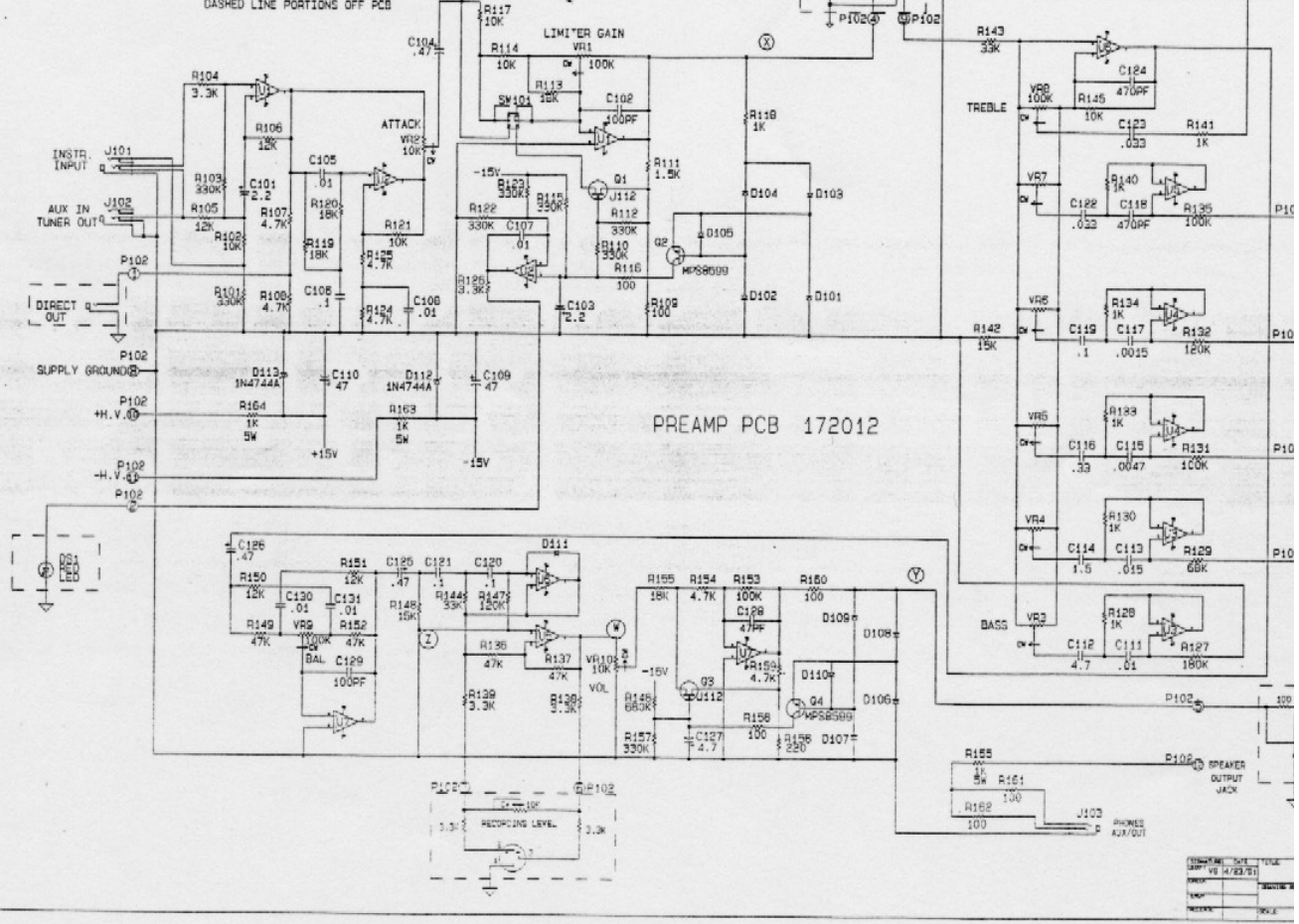


NOTES:

ALL CAPACITORS RATED IN uF UNLESS NOTED  
ALL IC'S ARE TL072  
ALL DIODES ARE 1N4148  
DASHED LINE PORTIONS OFF PCB



PREAMP PCB 172012

TRANSFORMER	PART	VALUE
VS	VS	4/23/51
VS	VS	4/23/51
VS	VS	4/23/51
VS	VS	4/23/51