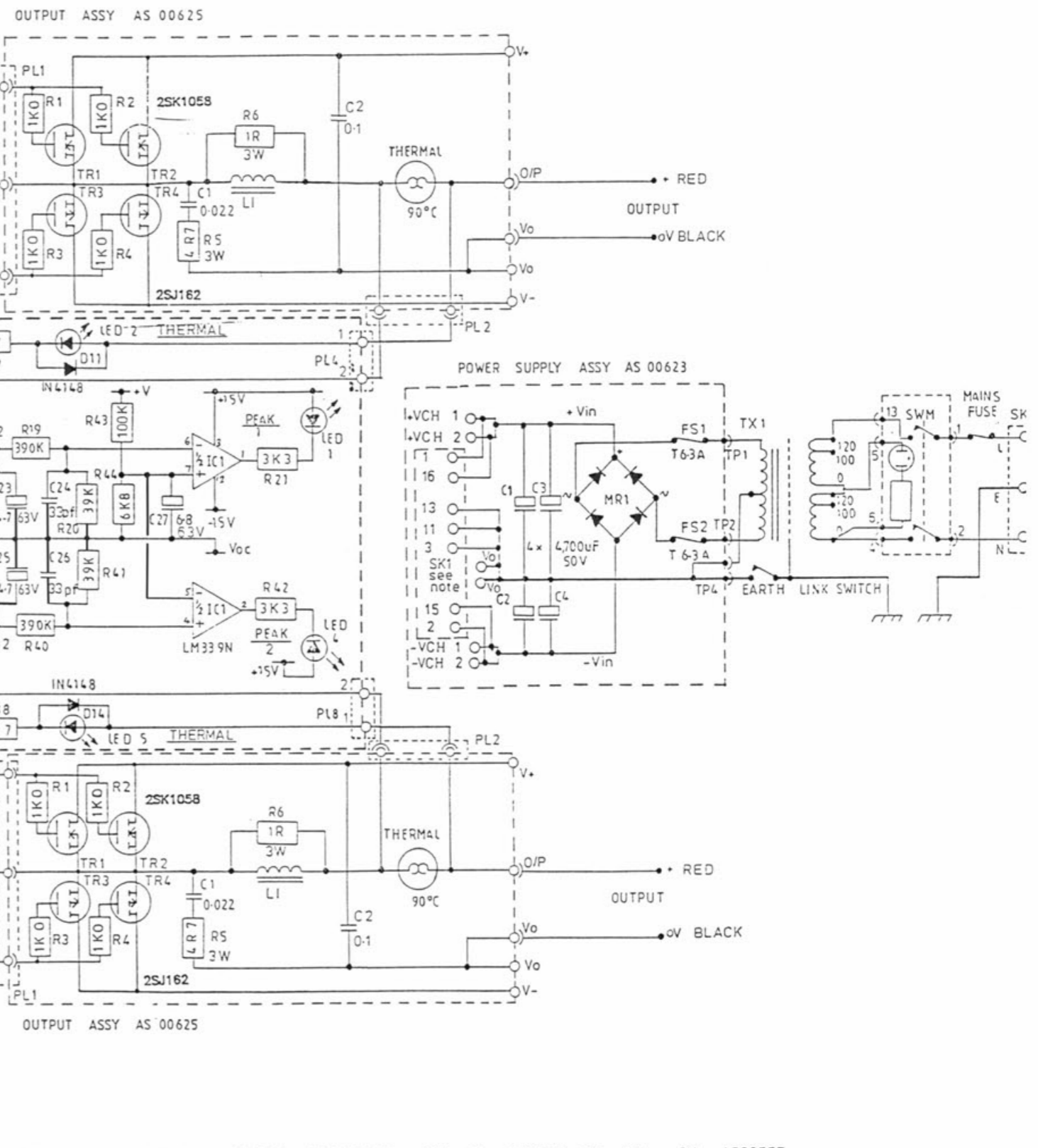


① HF BANDWIDTH RESTRICTION MUST BE APPLIED TO THE INPUT MODULE (NOT TO THE MAIN DRIVER AS INSTABILITY MAY OCCUR)
 C4 & C10 MAY BE INCREASED TO (100pF → 70kHz 220pF → 35kHz)
 HF COMMON MODE REJECTION WILL NOT BE AS GOOD BUT THIS SHOULD NOT BE A SERIOUS PROBLEM.
 ② THE EARTH LINKS TO CHECK ON ARE LK1 & LK2 ON THE INPUT PCB.



NOTE:- 16 WAY RIBBON CABLE CONNECTS SK1 ON AS00623 TO SK3 ON AS00557

ALL RESISTORS 1/4W UNLESS OTHERWISE STATED ALL CAPACITORS IN μF UNLESS OTHERWISE STATED

ISSUE 4	ISSUE 3	ISSUE 2	ISSUE 1
	AMENDED TO ACCOMMODATE REVISION POSITION OF C31 & C32 C11-0115	SEE CHANGE NOTE H0091	R11&R32 were 22K R45 was 33K C31&C32 added PL1 & 2 added to AS 00625 22.5K → 22K



DRAWN S HOLMES	DATE 24-7-85	MATERIAL	TITLE	DRAWING NO
CHK'D <i>pd</i>	SCALE	FINISH	CIRCUIT DIAGRAM	1627
FILE	TOL		VX-150	