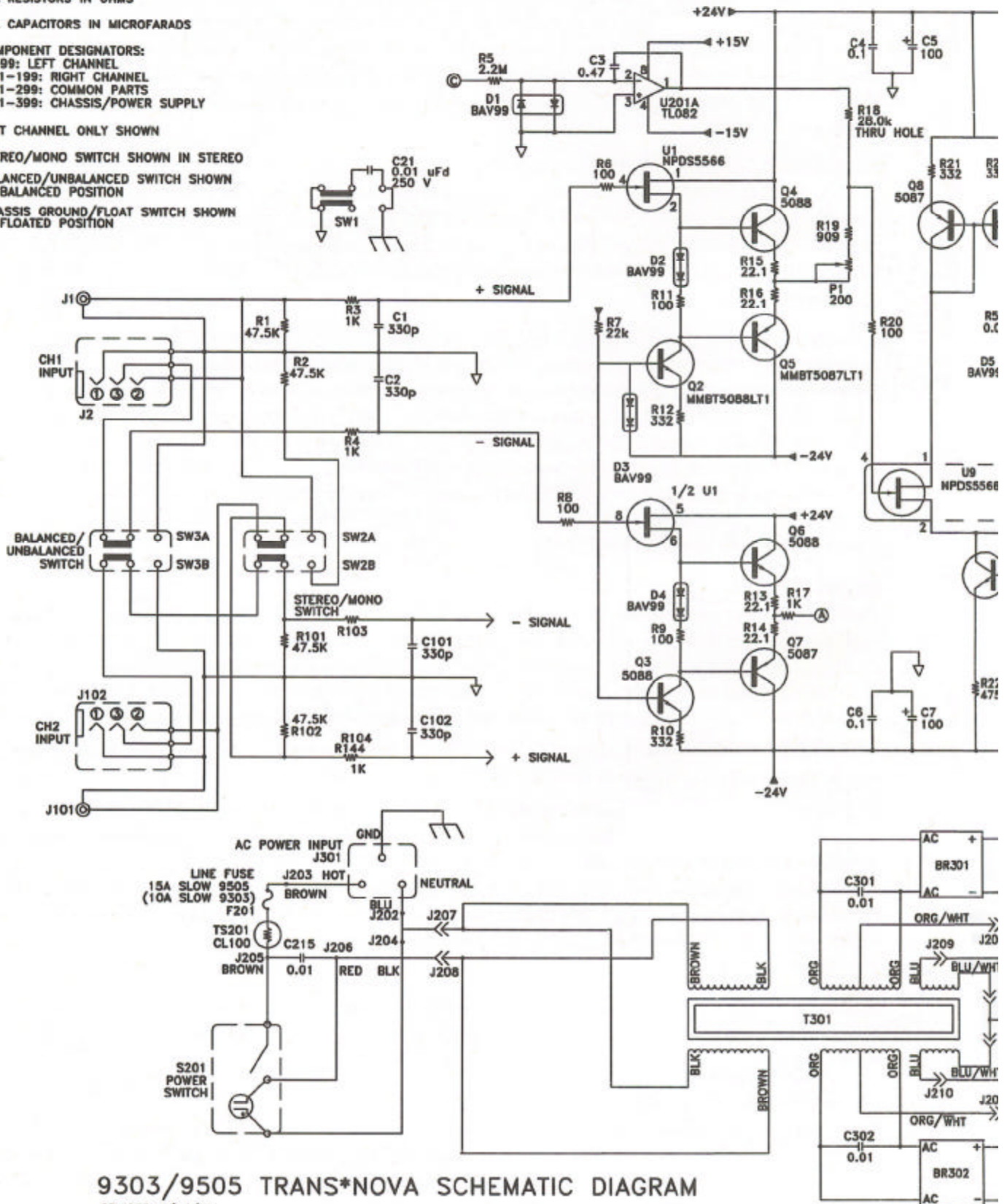


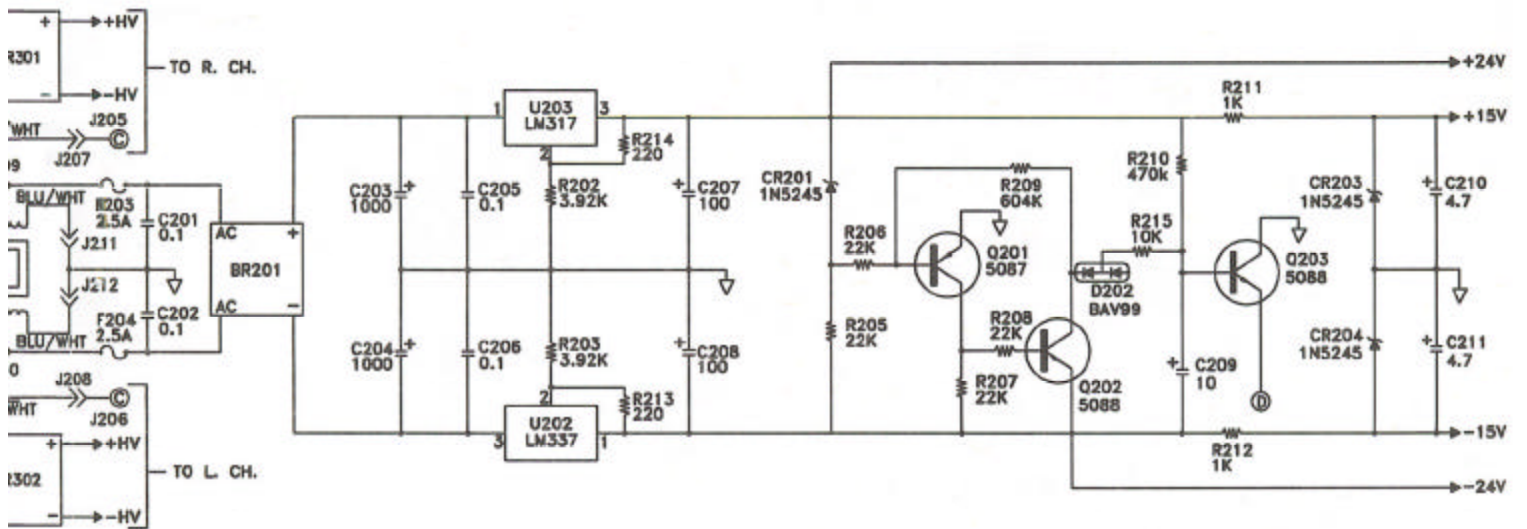
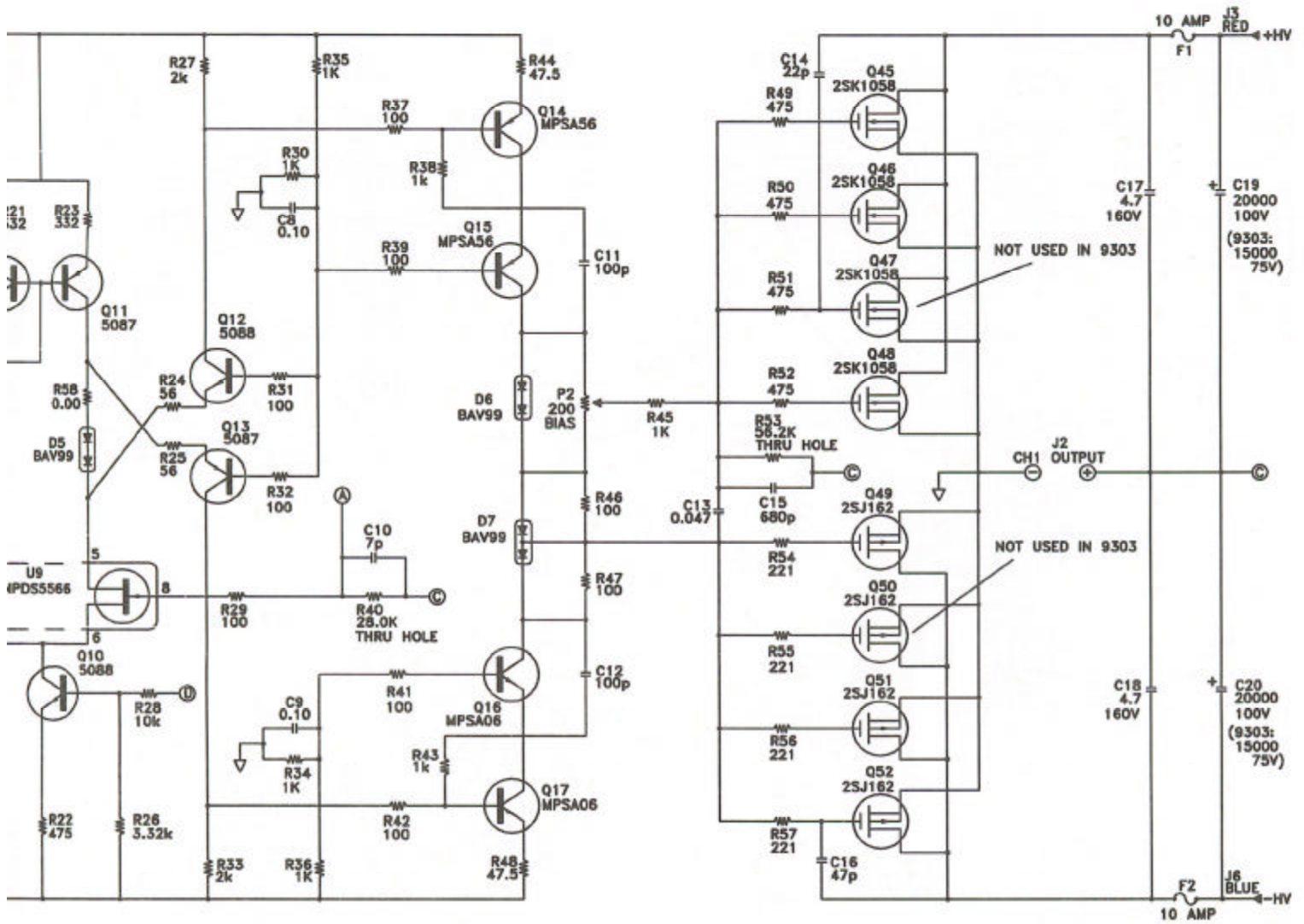
# SCHEMATIC DIAGRAM

NOTES: UNLESS SPECIFIED OTHERWISE

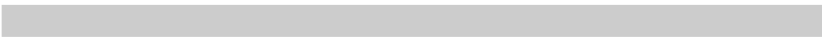
1. ALL RESISTORS IN OHMS
2. ALL CAPACITORS IN MICROFARADS
3. COMPONENT DESIGNATORS:  
 1-99: LEFT CHANNEL  
 101-199: RIGHT CHANNEL  
 201-299: COMMON PARTS  
 301-399: CHASSIS/POWER SUPPLY
4. LEFT CHANNEL ONLY SHOWN
5. STEREO/MONO SWITCH SHOWN IN STEREO
6. BALANCED/UNBALANCED SWITCH SHOWN IN BALANCED POSITION
7. CHASSIS GROUND/FLOAT SWITCH SHOWN IN FLOATED POSITION



9303/9505 TRANS\*NOVA SCHEMATIC DIAGRAM  
 REVISED 2/14/95



# PC BOARD LAYOUT



# PARTS LIST

DESIGNATOR	VALUE	PART #	DESIGNATOR	VALUE	PART #
ALL RESISTORS IN OHMS					
R1, R101	47.5k, 1/4W, 1%	RM/4-4752C	R213	220, 1/4W, 5%	RM/4-221C
R2, R102	47.5k, 1/4W, 1%	RM/4-4752C	R214	220, 1/4W, 5%	RM/4-221C
R3, R103	1k, 1/4W, 5%	RM/4-102C	R215	10k, 1/4W, 5%	RM/4-103C
R4, R104	1k, 1/4W, 5%	RM/4-102C	P1, P101	200, Trim Pot	RVH-201
R5, R105	2.2M, 1/4W, 5%	RM/4-225C	P2, P202	200 Trim Pot	RVH-201
R6, R106	100, 1/4W, 5%	RM/4-101C	D1, D101	BAV99L	SS-260SM
R7, R107	22k, 1/4W, 5%	RM/4-223C	D2, D102	BAV99L	SS-260SM
R8, R108	100, 1/4W, 5%	RM/4-101C	D3, D103	BAV99L	SS-260SM
R9, R109	100, 1/4W, 5%	RM/4-101C	D4, D104	BAV99L	SS-260SM
R10, R110	332, 1/4W, 1%	RM/4-3320C	D5, D105	BAV99L	SS-260SM
R11, R111	100, 1/4W, 5%	RM/4-101C	D6, D106	BAV99L	SS-260SM
R12, R112	332, 1/4W, 1%	RM/4-3320C	D7, D107	BAV99L	SS-260SM
R13, R113	22.1, 1/4W, 1%	RM/4-0221C	D201	1N5245B 15V	SS-212
R14, R114	22.1, 1/4W, 1%	RM/4-0221C	D202	BAV99L	SS-260SM
R15, R115	22.1, 1/4W, 1%	RM/4-0221C	D203	1N5245B 15V	SS-212
R16, R116	22.1, 1/4W, 1%	RM/4-0221C	D204	1N5245B 15V	SS-212
R17, R117	1k, 1/4W, 5%	RM/4-102C	U1, U101	NPDS5566	SS-0865
R18, R118	28k, 1/4W, 1%	RM/4-2802-03	U9, U109	NPDS5566	SS-0865
R19, R119	909, 1/4W, 1%	RM/4-9090C	U201	TL072CD	SS-143SM
R20, R120	100, 1/4W, 5%	RM/4-101C	U202	LM337	SS-240-056
R21, R121	332, 1/4W, 1%	RM/4-3320C	U203	LM317	SS-240-056
R22, R122	475, 1/4W, 1%	RM/4-4750C	C1, C101	330pF, 500V	CM-331-024
R23, R123	332, 1/4W, 1%	RM/4-3320C	C2, C102	330pF, 500V	CM-331-024
R24, R124	56, 1/4W, 5%	RM/4-560C	C3, C103	0.47μF, 50V	CYV-474
R25, R125	56, 1/4W, 5%	RM/4-560C	C4, C104	0.1μF, 50V	CYV-104-024
R26, R126	3.32k, 1/4W, 1%	RM/4-3321C	C5, C105	100μF, 50V	CER-107C-024
R27, R127	2k, 1/4W, 5%	RM/4-202C	C6, C106	0.1μF, 50V	CYV-104-024
R28, R128	10k, 1/4W, 5%	RM/4-103C	C7, C107	100μF, 50V	CER-107C-024
R29, R129	100, 1/4W, 5%	RM/4-101C	C8, C108	0.1μF, 50V	CYV-104-024
R30, R130	1k, 1/4W, 5%	RM/4-102C	C9, C109	0.1μF, 50V	CYV-104-024
R31, R131	100, 1/4W, 5%	RM/4-101C	C10, C110	7pF, 500V	CM-070-024
R32, R132	100, 1/4W, 5%	RM/4-101C	C11, C111	100pF, 500V	CM-101-024
R33, R133	2k, 1/4W, 5%	RM/4-202C	C12, C112	100pF, 500V	CM-101-024
R34, R134	1k, 1/4W, 5%	RM/4-102C	C13, C113	0.047μF, 50V	CYV-473-024
R35, R135	1k, 1/4W, 5%	RM/4-102C	C14, C114	22pF, 500V	CM-220-024
R36, R136	1k, 1/4W, 5%	RM/4-102C	C15, C115	680pF, 500V	CM-681-024
R37, R137	100, 1/4W, 5%	RM/4-101C	C16, C116	47pF, 500V	CM-470-024
R38, R138	1k, 1/4W, 5%	RM/4-102C	C17, C117	4.7μF, 160V	CPP-475MC
R39, R139	100, 1/4W, 5%	RM/4-101C	C18, C118	4.7μF, 160V	CPP-475MC
R40, R140	28k, 1/4W, 5%	RM/2802-03	C19, C119	20,000μF, 100V	CER-209E
R41, R141	100, 1/4W, 5%	RM/4-101C	C20, C120	20,000μF, 100V	CER-209E
R42, R142	100, 1/4W, 5%	RM/4-101C	C21	0.01μF, 1000V	CD-103/20-024
R43, R143	1k, 1/4W, 5%	RM/4-102C	C201, 202	0.1μF, 50V	CDS-104CCDB
R44, R144	47.5, 1/4W, 1%	RM/4-0475C	C203	1000μF, 50V	CER-108C-024
R45, R145	1k, 1/4W, 5%	RM/4-102C	C204	1000μF, 50V	CER-108C-024
R46, R146	100, 1/4W, 5%	RM/4-101C	C205	0.1μF, 50V	CYV-104-024
R47, R147	100, 1/4W, 5%	RM/4-101C	C206	0.1μF, 50V	CYV-104-024
R48, R148	47.5, 1/4W, 1%	RM/4-0475C	C207	100μF, 50V	CER-107C-024
R49, R149	475, 1/4W, 1%	RM/4-4750C	C208	100μF, 50V	CER-107C-024
R50, R150	475, 1/4W, 1%	RM/4-4750C	C209	10μF, 50V	CER-106C-024
R51, R151	475, 1/4W, 1%	RM/4-4750C	C210	4.7μF, 160V	CTR-475A-024
R52, 152	475, 1/4W, 1%	RM/4-4750C	C211	4.7μF, 160V	CTR-475A-024
R53, R153	56.2k, 1/4W, 1%	RMP/4-5622-03	C215	0.01μF, 1600V	CD-103A-024
R54, R154	220, 1/4W, 5%	RM/4-221C	SW1	DPDT Switch	SW-0280
R55, R155	220, 1/4W, 5%	RM/4-221C	SW2	DPDT Switch	SW-0280
R56, R156	220, 1/4W, 5%	RM/4-221C	SW3	DPDT Switch	SW-0280
R57, R157	220, 1/4W, 5%	RM/4-221C	S201	Power Switch	SWH-152B
R58, R158	0, 1/4W, 1%	RM/4-000C	TS-201	Inrush Limiter	SSH-618
R202	3.92k, 1/4W, 1%	RM/4-3921C	Q2, Q102	MMBT5088L	SS-0114
R203	3.92k, 1/4W, 1%	RM/4-3921C	Q3, Q103	MMBT5088L	SS-0114
R205	22k, 1/4W, 1%	RM/4-223C	Q4, Q104	MMBT5088L	SS-0114
R206	22k, 1/4W, 1%	RM/4-223C	Q5, Q105	MMBT5087L	SS-0115
R207	22k, 1/4W, 1%	RM/4-223C	Q6, Q106	MMBT5088L	SS-0114
R208	22k, 1/4W, 1%	RM/4-223C	Q7, Q107	MMBT5087L	SS-0115
R209	604k, 1/4W, 1%	RM/4-6043C			
R210	470k, 1/4W, 4%	RM/4-474C			
R211	1k, 1/4W, 5%	RM/4-102C			
R212	1k, 1/4W, 5%	RM/4-102C			

DESIGNATOR	VALUE	PART #
Q8, Q108	MMBT5087L	SS-0115
Q10, Q110	MMBT5088L	SS-0114
Q11, Q111	MMBT5087L	SS-0115
Q12, Q112	MMBT5088L	SS-0114
Q13, Q113	MMBT5087L	SS-0115
Q14, Q114	MPS-A56	SS-101A
Q15, Q115	MPS-A56	SS-101A
Q16, Q116	MPS-A06	SS-102A
Q17, Q117	MPS-A06	SS-102A
Q45, Q145	2SK1058	SSH-741T
Q46, Q146	2SK1058	SSH-741T
Q47, Q147	2SK1058	SSH-741T
Q48, Q148	2SK1058	SSH-741T
Q49, Q149	2SJ162	SSH-740T
Q50, Q150	2SJ162	SSH-740T
Q51, Q151	2SJ162	SSH-740T
Q52, Q152	2SJ162	SSH-740T
Q201	MMBT5087L	SS-0115
Q202	MMBT5088L	SS-0114
Q203	MMBT5088L	SS-0114
F1, F101	AGC 10A Fuse	FS-010
F2, F102	AGC 10A Fuse	FS-010
F201	15A Slo/Blo	FS-015SB
F203, F204	2.5A Fast Mini	FS-0390

DESIGNATOR	VALUE	PART #
BR201	Bridge Rectifier	SS-222
BR301	Bridge Rectifier	SSH-609
BR-302	Bridge Rectifier	SSH-609
	IEC Connector	CC-0918
	IEC Line Cord	FA-0209
	Dual Binding Post	CC-0867
	MOSFET Insulator	HWH-442

9303 Differences		
	IEC Line Cord	FAH-146
C19, C119	15000µf, 75V	CER-159ES
C20, C120	15000µf, 75V	CER-159ES
F201	10A, Slo/Blo	FS-010SM
	Not Used	
Q47, Q147	2SK/1058	
Q50, Q150	2SJ/162	

# 9303 / 9505 FUNCTIONAL BLOCK DIAGRAM

