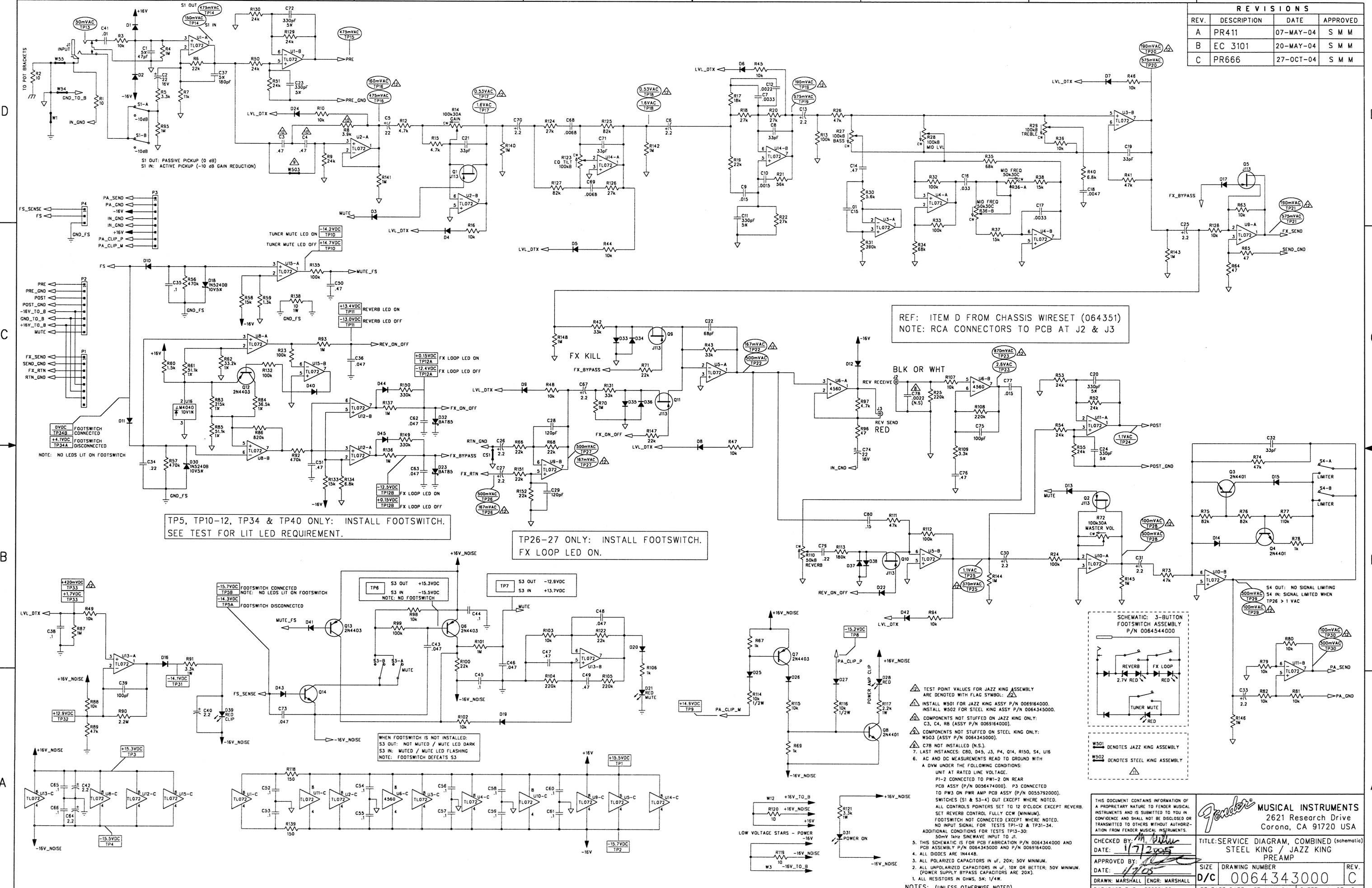


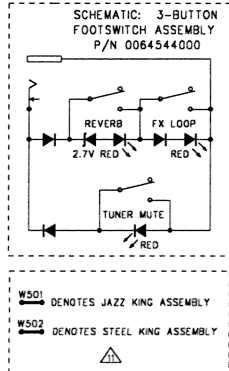
REVISIONS			
REV.	DESCRIPTION	DATE	APPROVED
A	PR411	07-MAY-04	S M M
B	EC 3101	20-MAY-04	S M M
C	PR666	27-OCT-04	S M M



TP5, TP10-12, TP34 & TP40 ONLY: INSTALL FOOTSWITCH. SEE TEST FOR LIT LED REQUIREMENT.

TP26-27 ONLY: INSTALL FOOTSWITCH. FX LOOP LED ON.

REF: ITEM D FROM CHASSIS WIRESET (064351)
NOTE: RCA CONNECTORS TO PCB AT J2 & J3



- TEST POINT VALUES FOR JAZZ KING ASSEMBLY ARE DENOTED WITH FLAG SYMBOL: Δ
- INSTALL W501 FOR JAZZ KING ASSY P/N 0069164000.
- INSTALL W502 FOR STEEL KING ASSY P/N 0064345000.
- COMPONENTS NOT STUFFED ON JAZZ KING ONLY: C3, C4, R8 (ASSY P/N 0069164000).
- COMPONENTS NOT STUFFED ON STEEL KING ONLY: W503 (ASSY P/N 0064345000).
- C78 NOT INSTALLED (N.S.).
- LAST INSTANCES: C80, D45, J3, P4, Q14, R150, S4, U16
- AC AND DC MEASUREMENTS READ TO GROUND WITH A DVM UNDER THE FOLLOWING CONDITIONS:
UNIT AT RATED LINE VOLTAGE.
P1-2 CONNECTED TO PW1-2 ON REAR PCB ASSY (P/N 0066474000). P3 CONNECTED TO PW3 ON PWR AMP PCB ASSY (P/N 0053792000). SWITCHES (S1 & S3-4) OUT EXCEPT WHERE NOTED. ALL CONTROLS POINTERS SET TO 12 O'CLOCK EXCEPT REVERB. SET REVERB CONTROL FULLY CCW (MINIMUM). FOOTSWITCH NOT CONNECTED EXCEPT WHERE NOTED. NO INPUT SIGNAL FOR TESTS TP1-12 & TP31-34. ADDITIONAL CONDITIONS FOR TESTS TP13-30: 50mV SIN WAVE INPUT TO J1.
- THIS SCHEMATIC IS FOR PCB FABRICATION P/N 0064344000 AND PCB ASSEMBLY P/N 0064345000 AND P/N 0069164000.
- ALL DIODES ARE 1N4448.
- ALL POLARIZED CAPACITORS IN μ F, 20% 50V MINIMUM.
- ALL UNPOLARIZED CAPACITORS IN μ F, 10% OR BETTER; 50V MINIMUM. (POWER SUPPLY BYPASS CAPACITORS ARE 20%).
- ALL RESISTORS IN OHMS, 5% 1/4W.

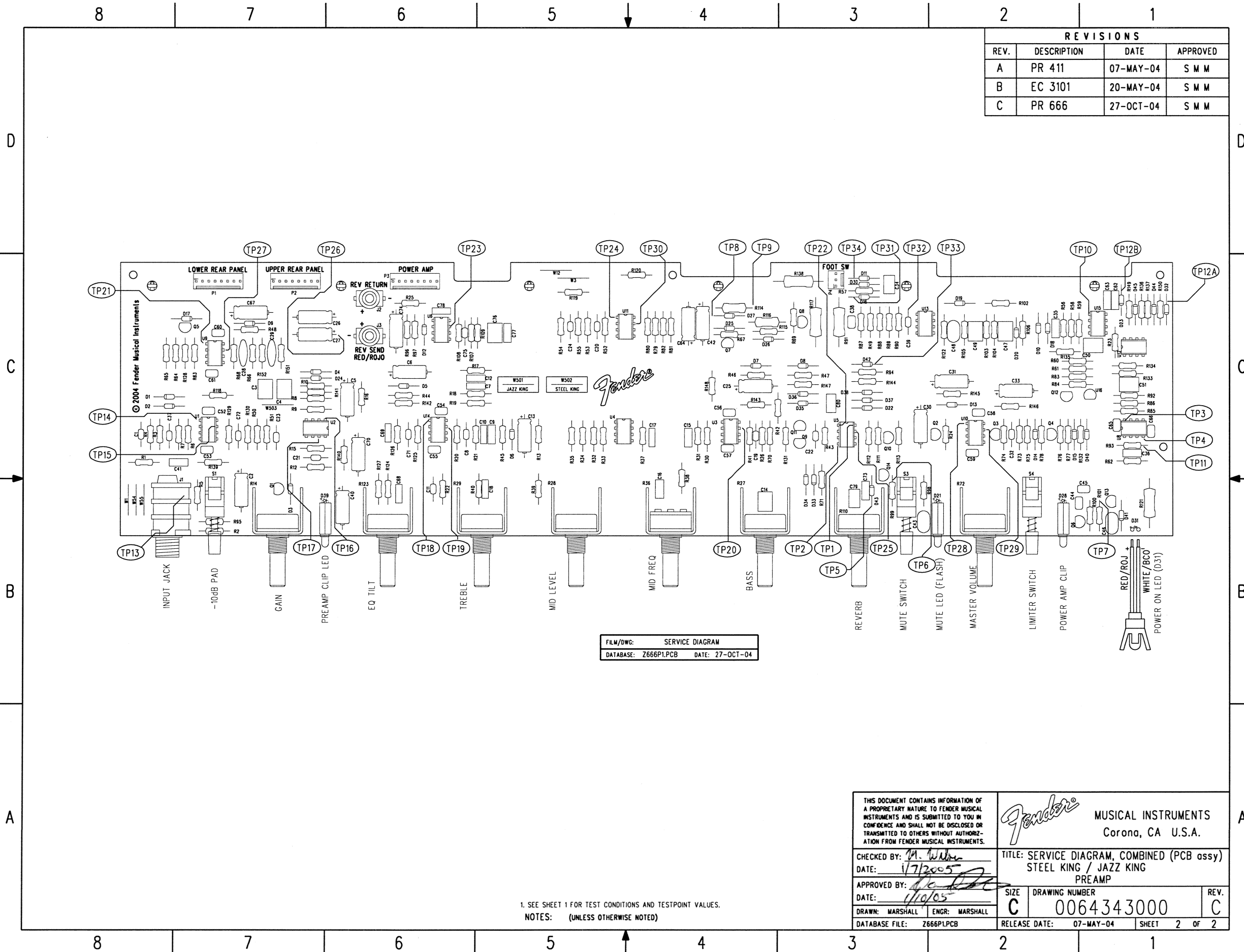
THIS DOCUMENT CONTAINS INFORMATION OF A PROPRIETARY NATURE TO FENDER MUSICAL INSTRUMENTS AND IS SUBMITTED TO YOU IN CONFIDENCE AND SHALL NOT BE DISCLOSED OR TRANSMITTED TO OTHERS WITHOUT AUTHORIZATION FROM FENDER MUSICAL INSTRUMENTS.

Fender MUSICAL INSTRUMENTS
2621 Research Drive
Corona, CA 91720 USA

CHECKED BY: *[Signature]* DATE: 1/7/2005
APPROVED BY: *[Signature]* DATE: 1/10/05
DRAWN: MARSHALL ENGR: MARSHALL DATABASE FILE: Z666S1.SCH

TITLE: SERVICE DIAGRAM, COMBINED (schematic) STEEL KING / JAZZ KING PREAMP

SIZE: DRAWING NUMBER: D/C 0064343000
RELEASE DATE: 07-MAY-04 SHEET: 1 OF 2



REVISIONS			
REV.	DESCRIPTION	DATE	APPROVED
A	PR 411	07-MAY-04	S M M
B	EC 3101	20-MAY-04	S M M
C	PR 666	27-OCT-04	S M M

FILM/DWG: SERVICE DIAGRAM
 DATABASE: Z666P1.PCB DATE: 27-OCT-04

1. SEE SHEET 1 FOR TEST CONDITIONS AND TESTPOINT VALUES.
 NOTES: (UNLESS OTHERWISE NOTED)

THIS DOCUMENT CONTAINS INFORMATION OF A PROPRIETARY NATURE TO FENDER MUSICAL INSTRUMENTS AND IS SUBMITTED TO YOU IN CONFIDENCE AND SHALL NOT BE DISCLOSED OR TRANSMITTED TO OTHERS WITHOUT AUTHORIZATION FROM FENDER MUSICAL INSTRUMENTS.		MUSICAL INSTRUMENTS Corona, CA U.S.A.	
CHECKED BY: <i>M. Wilson</i> DATE: <i>1/7/2005</i>		TITLE: SERVICE DIAGRAM, COMBINED (PCB assy) STEEL KING / JAZZ KING PREAMP	
APPROVED BY: <i>[Signature]</i> DATE: <i>1/10/05</i>		SIZE: C	DRAWING NUMBER: 0064343000
DRAWN: MARSHALL ENGR: MARSHALL		RELEASE DATE: 07-MAY-04	REV. C
DATABASE FILE: Z666P1.PCB		SHEET 2 OF 2	