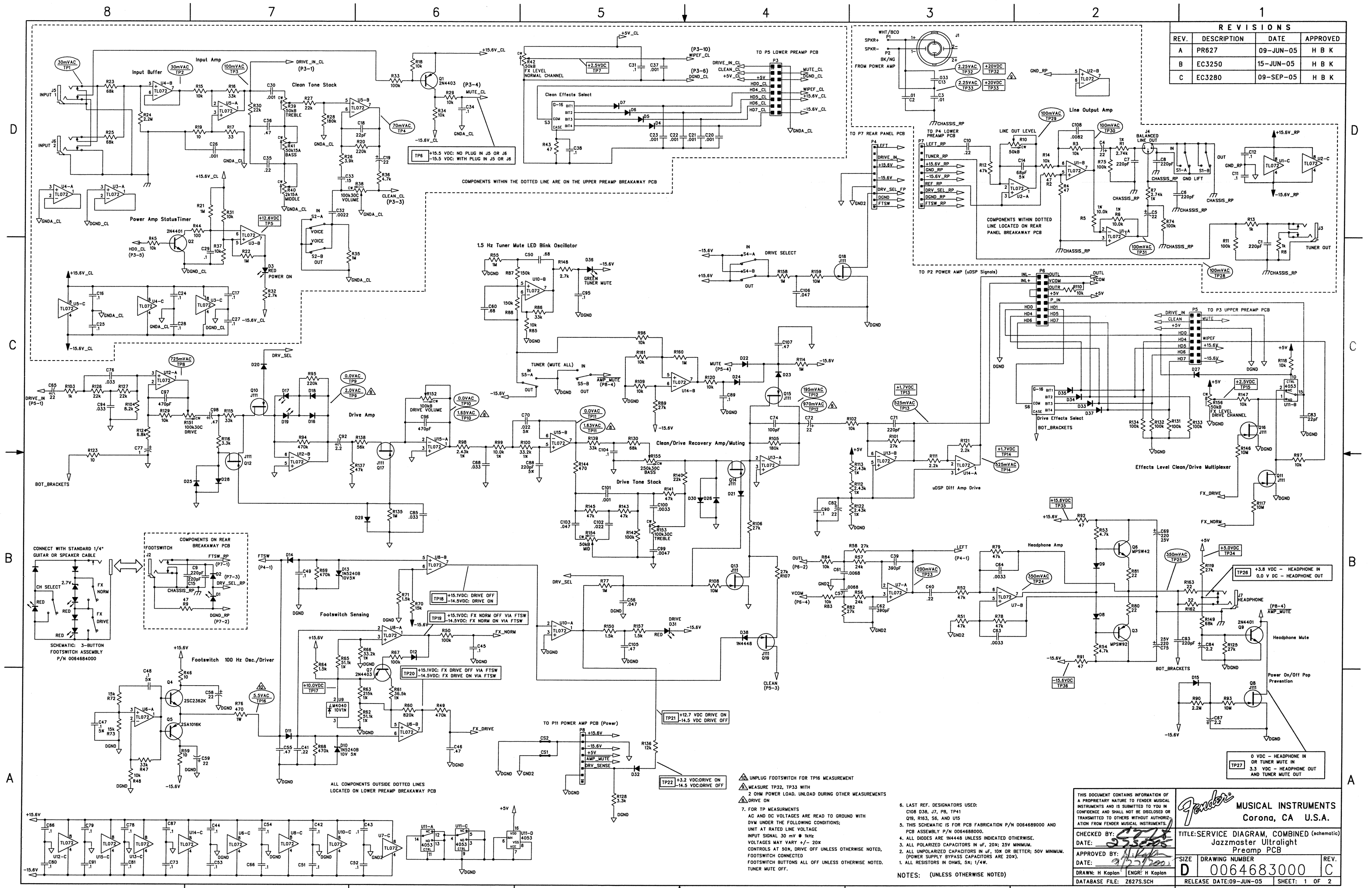


REVISIONS			
REV.	DESCRIPTION	DATE	APPROVED
A	PR627	09-JUN-05	H B K
B	EC3250	15-JUN-05	H B K
C	EC3280	09-SEP-05	H B K



- UNPLUG FOOTSWITCH FOR TP16 MEASUREMENT
- MEASURE TP32, TP33 WITH 2 OHM POWER LOAD. UNLOAD DURING OTHER MEASUREMENTS
- DRIVE ON
- FOR TP MEASUREMENTS AC AND DC VOLTAGES ARE READ TO GROUND WITH DVM UNDER THE FOLLOWING CONDITIONS: INPUT SIGNAL 30 mV @ 1kHz VOLTAGES MAY VARY +/- 20% CONTROLS AT 50% DRIVE OFF UNLESS OTHERWISE NOTED, FOOTSWITCH CONNECTED FOOTSWITCH BUTTONS ALL OFF UNLESS OTHERWISE NOTED. TUNER MUTE OFF.
- LAST REF. DESIGNATORS USED: C108 D36, J7, P6, TP41 C19, R163, S6, AND U15
- THIS SCHEMATIC IS FOR PCB FABRICATION P/N 0064689000 AND PCB ASSEMBLY P/N 0064688000.
- ALL DIODES ARE 1N4448 UNLESS INDICATED OTHERWISE.
- ALL POLARIZED CAPACITORS IN uF, 20%; 25V MINIMUM.
- ALL UNPOLARIZED CAPACITORS IN uF, 10% OR BETTER; 50V MINIMUM. (POWER SUPPLY BYPASS CAPACITORS ARE 20%).
- ALL RESISTORS IN OHMS, 5%/1/4W.
- NOTES: (UNLESS OTHERWISE NOTED)

THIS DOCUMENT CONTAINS INFORMATION OF A PROPRIETARY NATURE TO FENDER MUSICAL INSTRUMENTS AND IS SUBMITTED TO YOU IN CONFIDENCE AND SHALL NOT BE DISCLOSED OR TRANSMITTED TO OTHERS WITHOUT AUTHORIZATION FROM FENDER MUSICAL INSTRUMENTS.

**Fender** MUSICAL INSTRUMENTS  
Corona, CA U.S.A.

CHECKED BY: *[Signature]*  
DATE: *[Date]*

APPROVED BY: *[Signature]*  
DATE: *[Date]*

DATABASE FILE: Z6275.SCH

TITLE: SERVICE DIAGRAM, COMBINED (schematic)  
Jazzmaster Ultralight  
Preamp PCB

SIZE: **D** DRAWING NUMBER: **0064683000** REV. **C**

RELEASE DATE: 09-JUN-05 SHEET: 1 OF 2

8

7

6

5

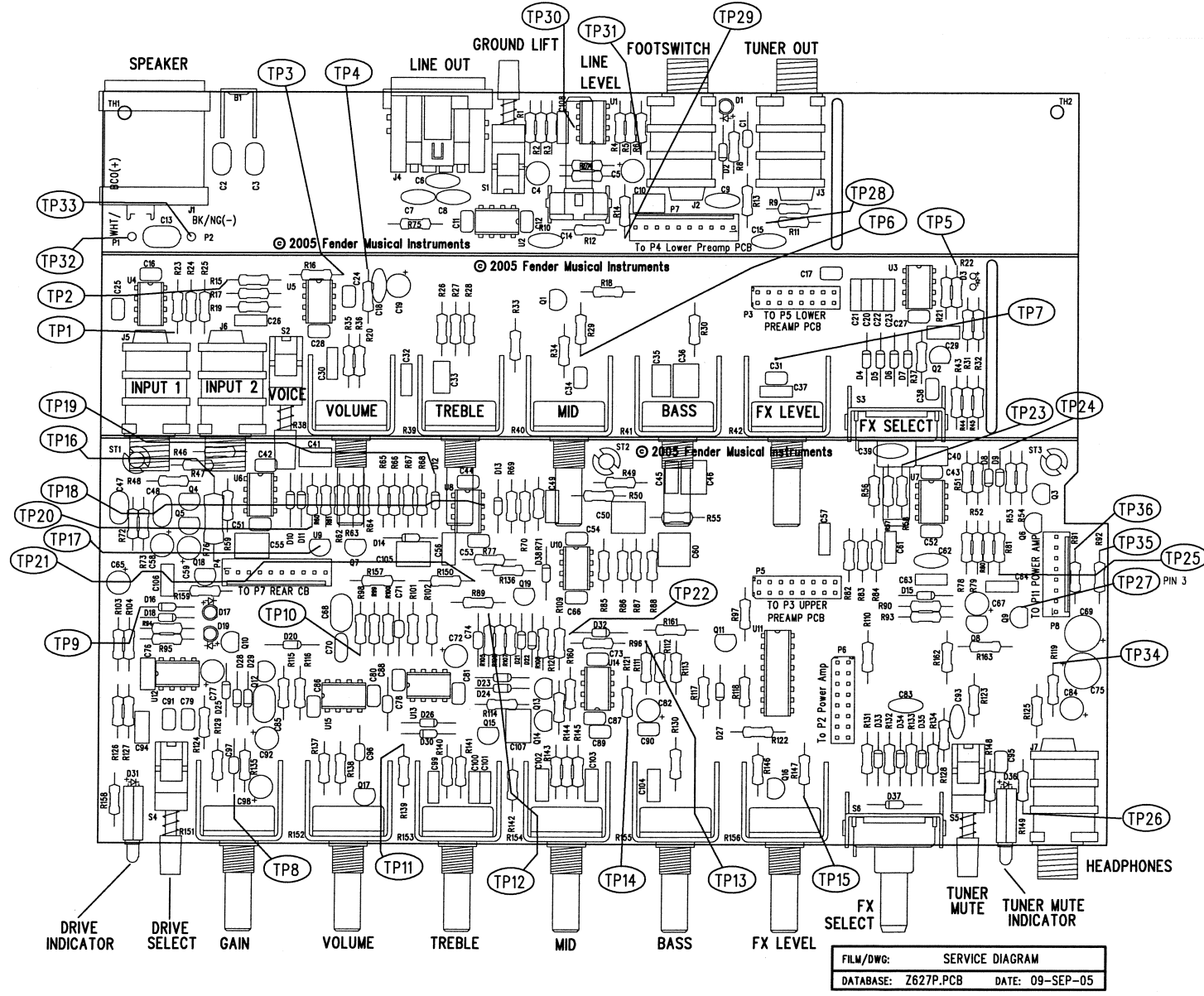
4

3

2

1

REVISIONS			
REV.	DESCRIPTION	DATE	APPROVED
A	PR 627	09-JUN-05	H B K
B	EC3250	15-JUN-05	H B K
C	EC3280	09-SEP-05	H B K



FILM/DWG: SERVICE DIAGRAM  
 DATABASE: Z627P.PCB DATE: 09-SEP-05

1. SEE SHEET 1 FOR TEST CONDITIONS AND TP VALUES  
 NOTES: (UNLESS OTHERWISE NOTED)

THIS DOCUMENT CONTAINS INFORMATION OF A PROPRIETARY NATURE TO FENDER MUSICAL INSTRUMENTS AND IS SUBMITTED TO YOU IN CONFIDENCE AND SHALL NOT BE DISCLOSED OR TRANSMITTED TO OTHERS WITHOUT AUTHORIZATION FROM FENDER MUSICAL INSTRUMENTS.		MUSICAL INSTRUMENTS Corona, CA U.S.A.	
CHECKED BY: <i>[Signature]</i> DATE: <i>02/25/05</i>		TITLE: SERVICE DIAGRAM, COMBINED (PCB assy) JAZZMASTER ULTRALIGHT PREAMP PCB	
APPROVED BY: <i>[Signature]</i> DATE: <i>9/25/05</i>		SIZE: C	DRAWING NUMBER: 0064683000
DRAWN: H Kaplan	ENGR: H Kaplan	RELEASE DATE: 09-JUN-05	REV: C
DATABASE FILE: Z627P.PCB		SHEET 2 OF 2	

8

7

6

5

4

3

2

1