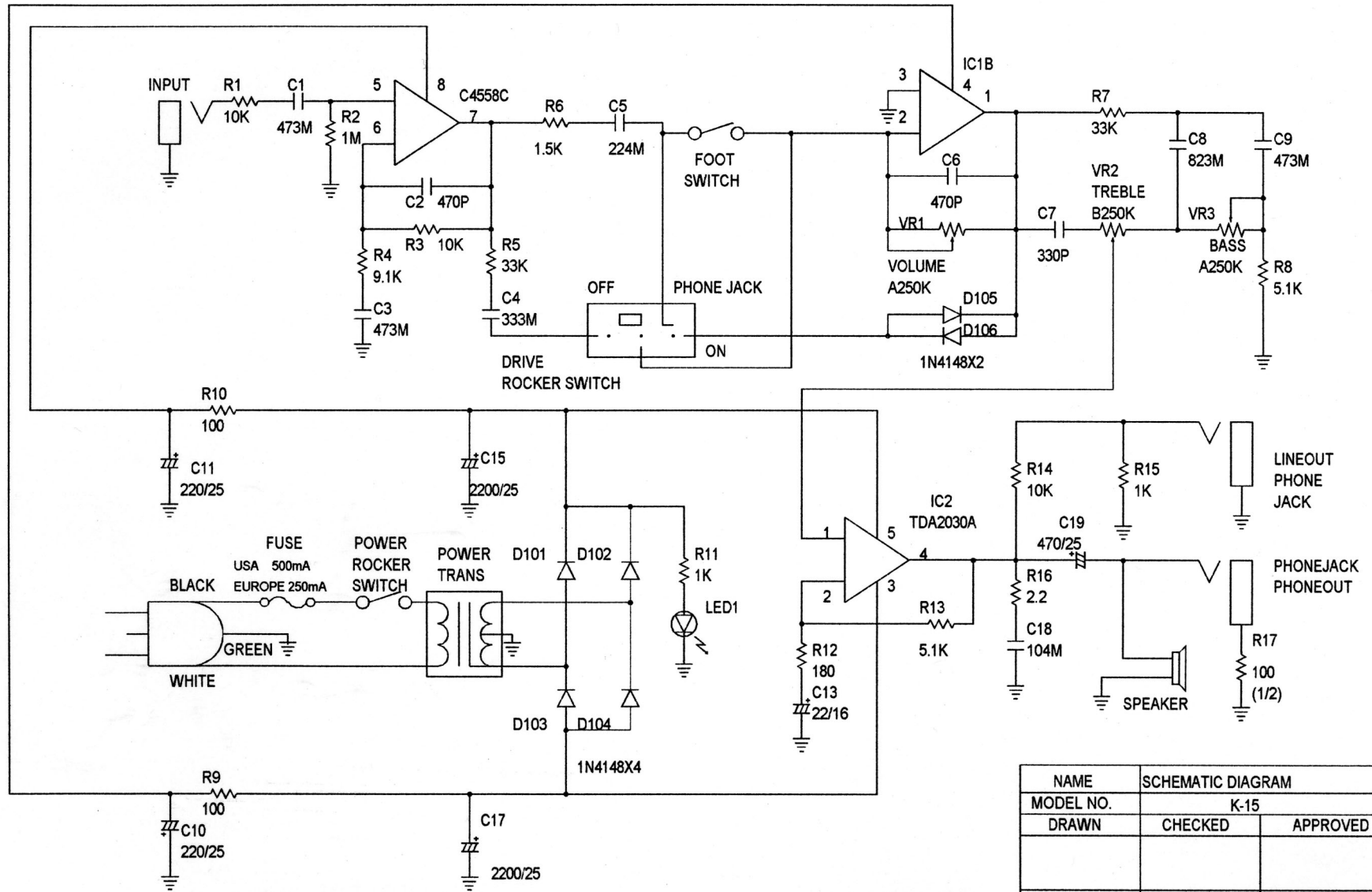


SCHEMATIC DIAGRAM K-15



NAME		SCHEMATIC DIAGRAM	
MODEL NO.		K-15	
DRAWN		CHECKED	APPROVED