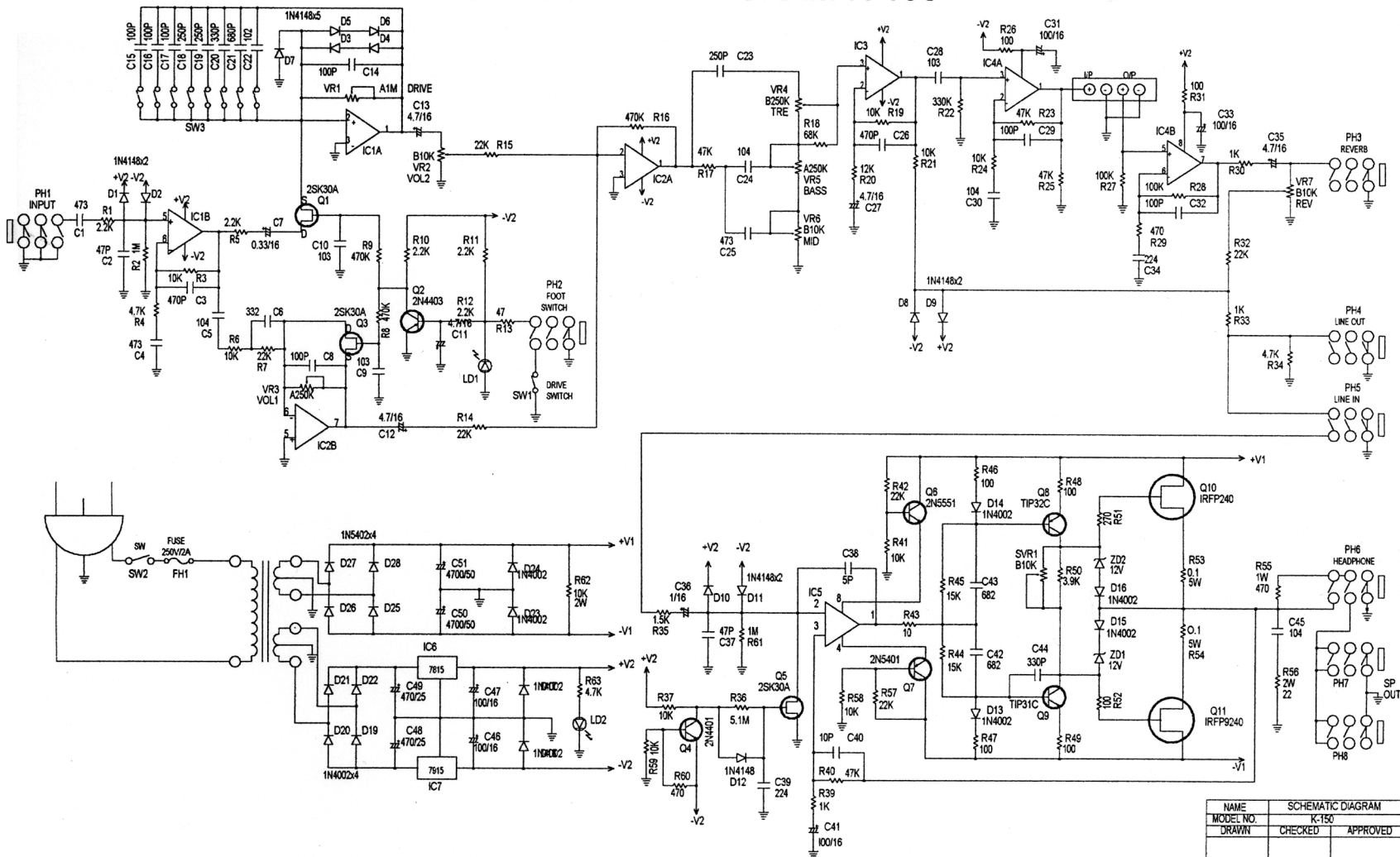


SCHEMATIC DIAGRAM K-150



NAME		SCHEMATIC DIAGRAM	
MODEL NO.	K-150	CHECKED	APPROVED
DRAWN			