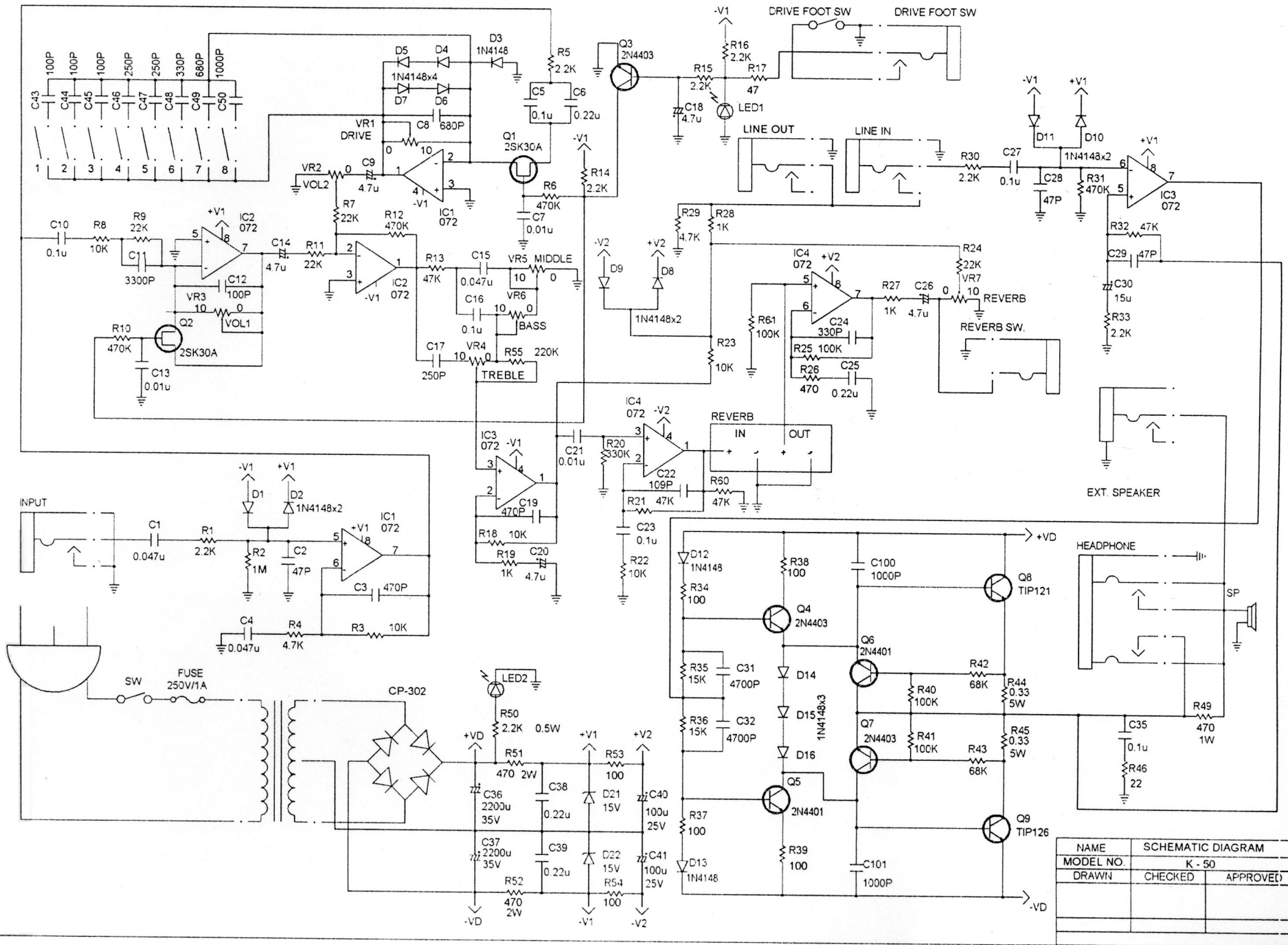


SCHEMATIC DIAGRAM K-50



SCHEMATIC DIAGRAM		
NAME	SCHEMATIC DIAGRAM	
MODEL NO.	K - 50	
DRAWN	CHECKED	APPROVED