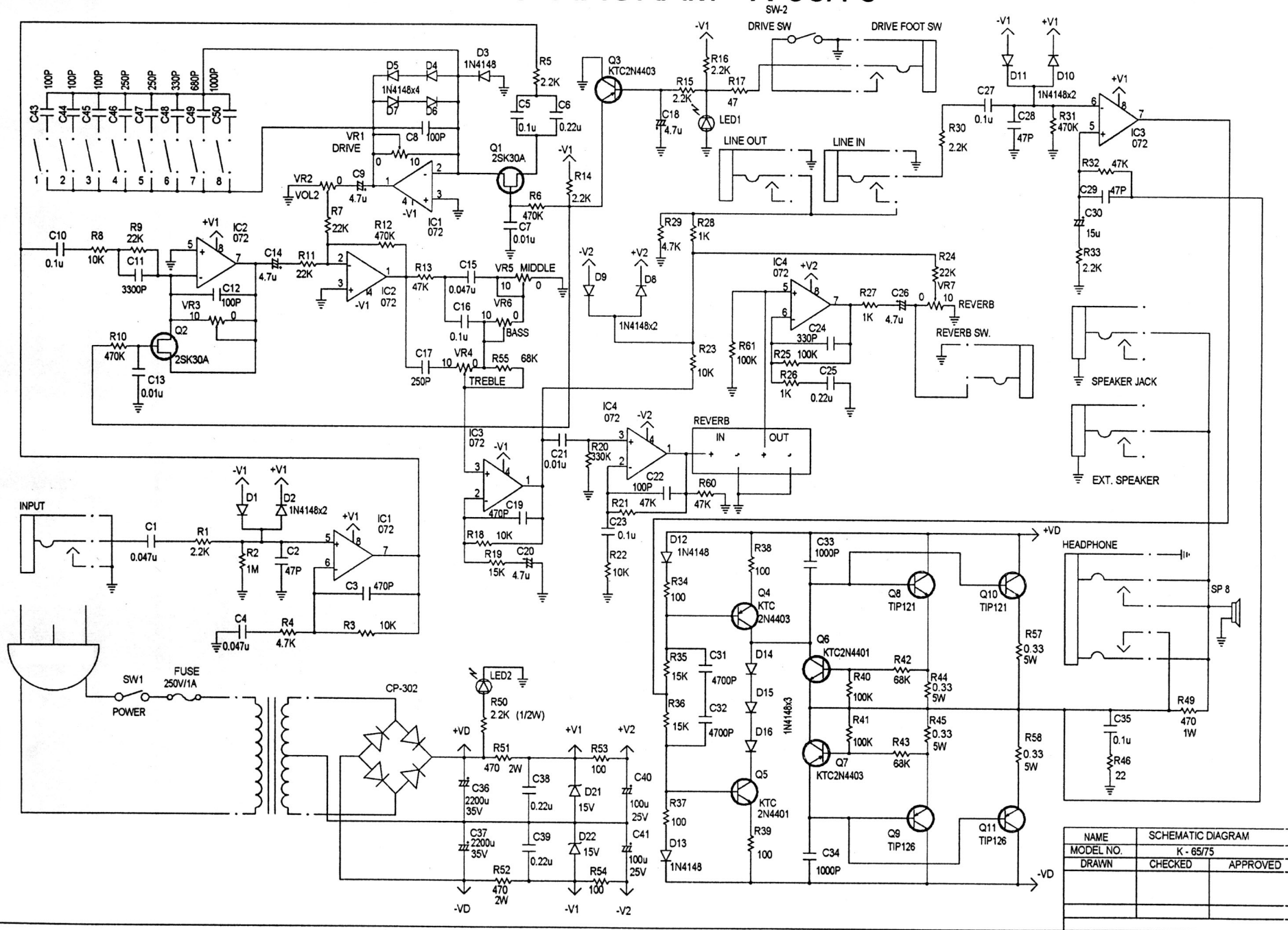


SCHEMATIC DIAGRAM K-65/75



NAME		SCHEMATIC DIAGRAM	
MODEL NO.	K - 65/75	DRAWN	APPROVED